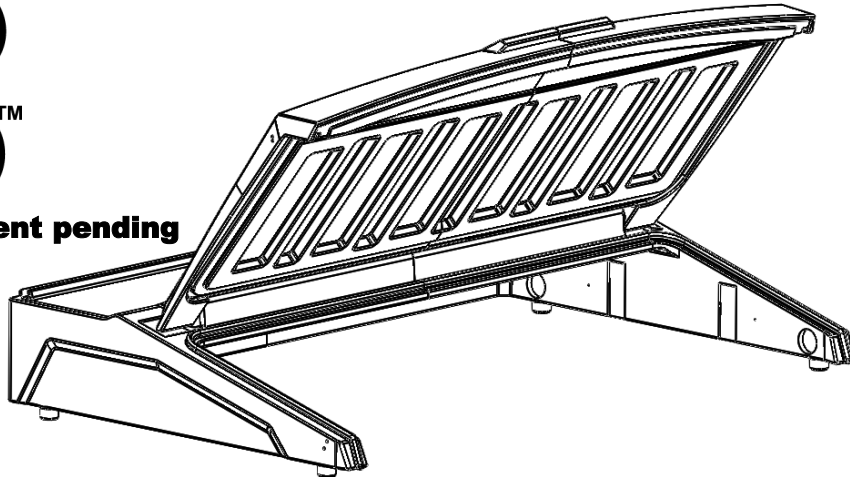


# INSTALLATION GUIDE

# roto kap™

DEFENDER Patent pending

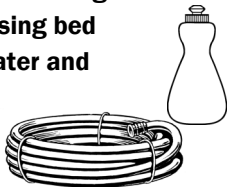


### Package Contents:

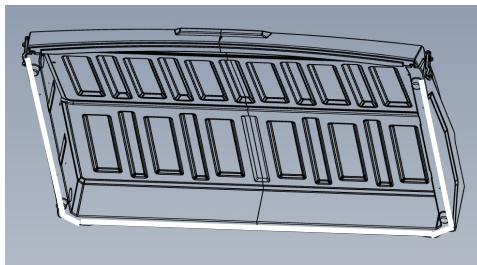
- 1 Cap Lid
- 1 Cap Base
- 4 Plug Inserts
- 4 Hole Caps
- 1 Gasket

## PREPARATION 1

Prep by washing and rinsing bed with water and soap.



## PREPARATION 2

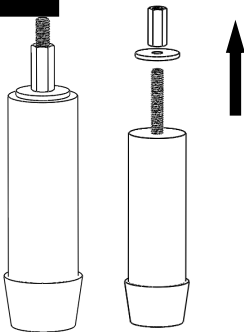


Apply included gasket to the outside edge of the RotoKap base as shown. In white

### Tools Needed:

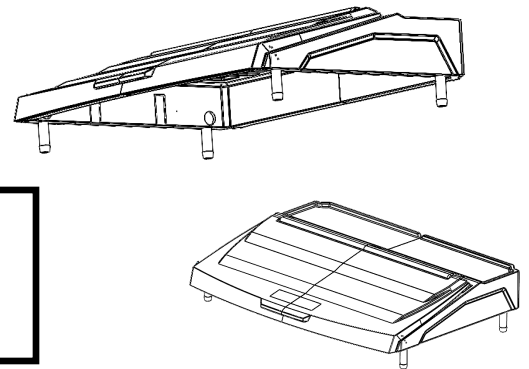
- 3/8" Wrench

# 1



Remove: Washers and Coupling nuts from all 4 "Plug Inserts" and set aside. [Plugs will have a different shape for Defender, hardware and assembly are the same]

# 2



Insert the plugs into the holes on the bottom of the unit.

# 3



Re-attach the previously removed Washer and Coupling Nut to each of the 4 "Plug Inserts" and tighten with 3/8" wrench.

# 4

*This step is most easily accomplished and recommended to be done with 2 people.*

Place unit on Defender bed. Fit plugs into holes and apply pressure evenly. The unit should fit snugly against the gasket on the bed.



5



Push in the Hole Caps. They should fit snugly.

[WWW.DU-HA.COM](http://WWW.DU-HA.COM)

6

**roto  
Kap™**  
Patent pending



Enjoy Your fully-installed ROTO KAP™