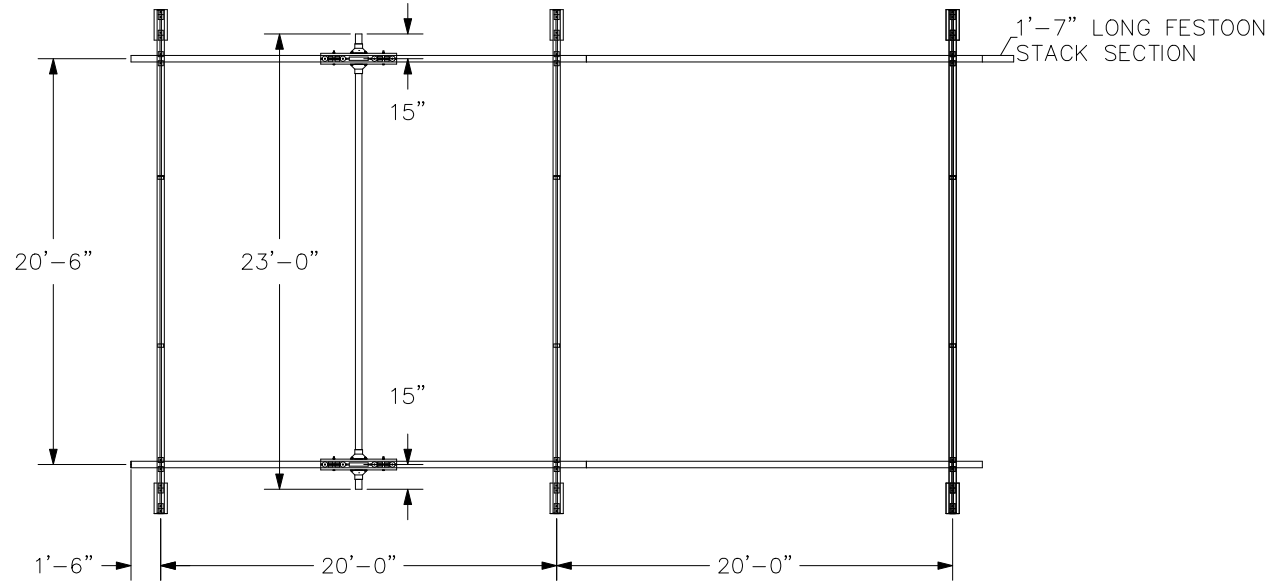
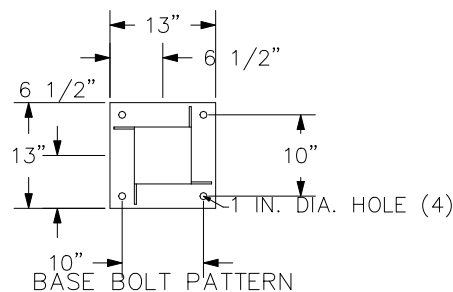
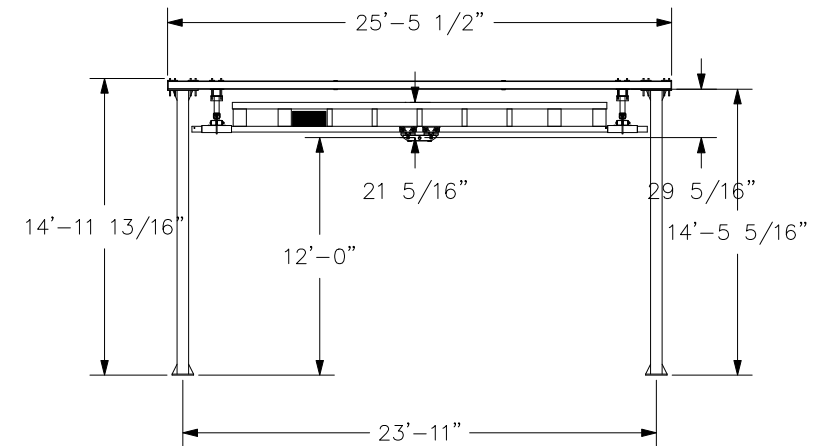
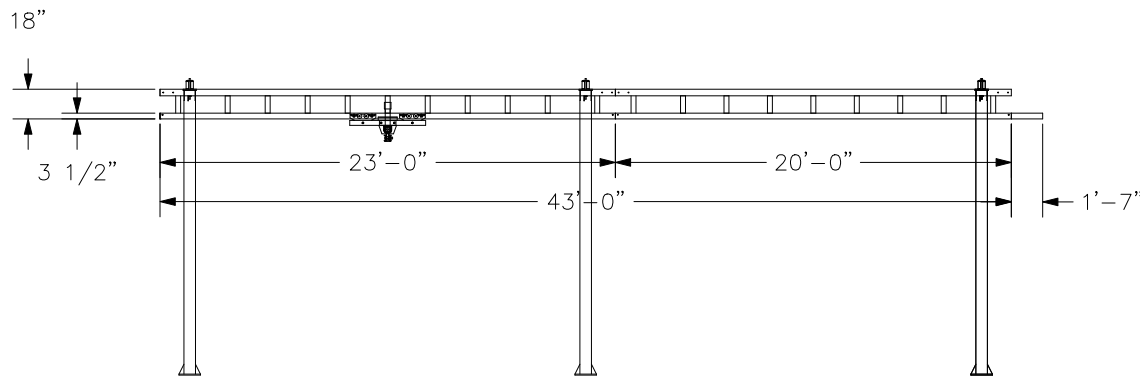


CONFIDENTIAL

SUPPORT ASSEMBLIES ARE DESIGNED TO AISC SPECIFICATIONS. IF NO MOVEMENT OF SUPPORT ASSEMBLIES IS REQUIRED, THEN BRACING TO BUILDING STEEL IS RECOMMENDED (NOT INCLUDED).



BRIDGE TROLLEY TRAVEL IS 18'-6 1/16".
ENDTRUCK TRAVEL IS 38'-7 1/2".



HANGERS ARE ON 20' CENTERS MAXIMUM WITH A 48" CANTILEVER ON EACH END MAXIMUM. HANGERS MUST BE WITHIN 48" OF SPLICE JOINT

DO NOT SCALE FROM DRAWING. DIMENSIONS ARE STEEL TO STEEL AND MAY VARY. HANGER POSITION TOLERANCE = ±2 1/2"

CREATED BY: WISCOLIFT INC

| | | | |
|-----------------------|--|--|--|
| CRANE INFORMATION | | GORBEL 600 FISHERS RUN P.O. BOX 593 FISHERS, NY 14453-0593 | |
| CAPACITY: 4000LBS/BR | | | |
| BRIDGE OAL: 23'-0" | | GLCS-FS-4000-23-43-12 | |
| BRIDGE SERIES: 4000 | | GENERAL ARRANGEMENT | |
| RUNWAY OAL: 43'-0" | | BY: bilcon | |
| RUNWAY SERIES: 4000 | | DATE: AUG 5, 2015 | |
| TOLERANCE: ±1/8 | | LINE #: 4 | |
| QUANTITY: 1 | | P/N: DEMO4000FS.4A | |
| I.D. #: DEMO4000FS.4A | | | |