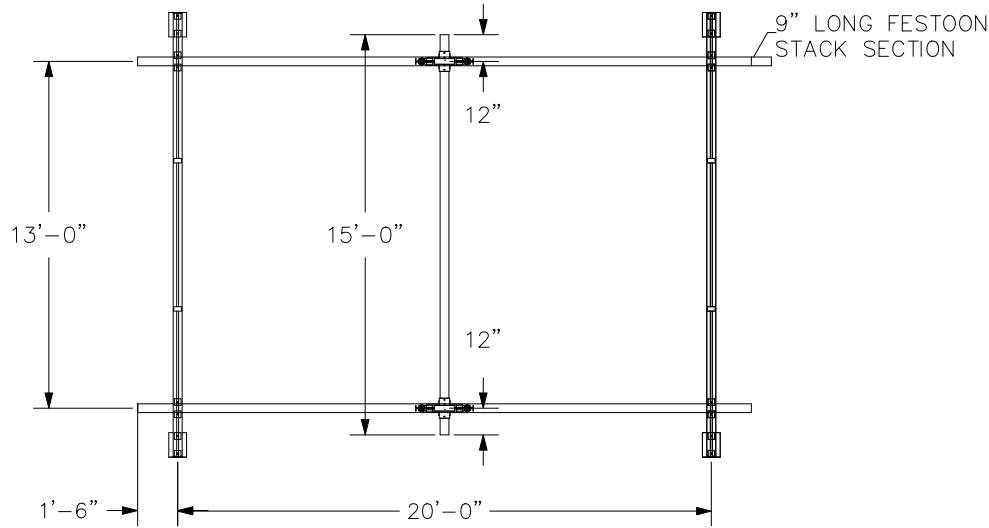
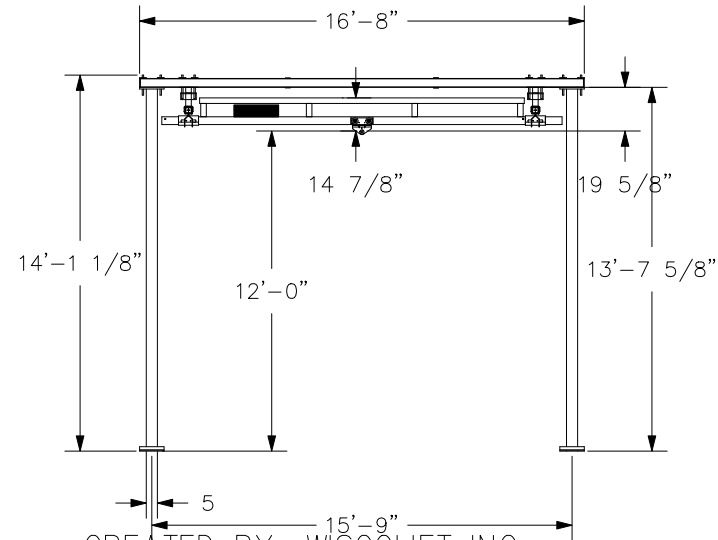
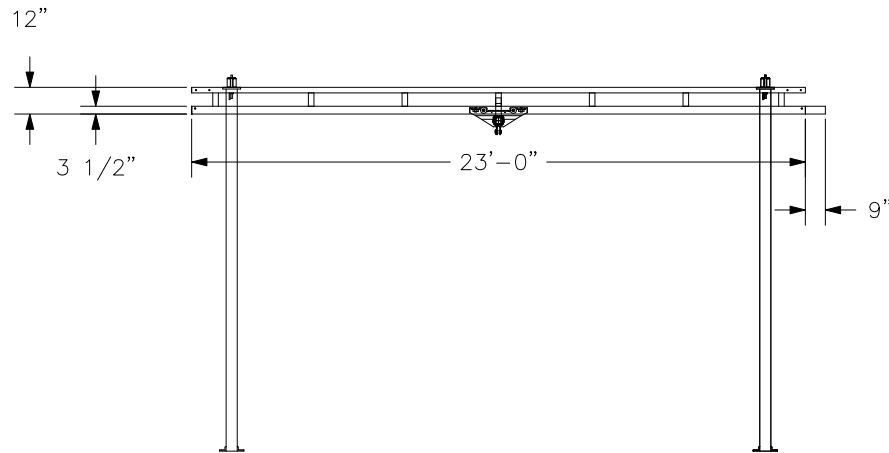


CONFIDENTIAL

SUPPORT ASSEMBLIES ARE DESIGNED TO AISC SPECIFICATIONS. IF NO MOVEMENT OF SUPPORT ASSEMBLIES IS REQUIRED, THEN BRACING TO BUILDING STEEL IS RECOMMENDED (NOT INCLUDED).

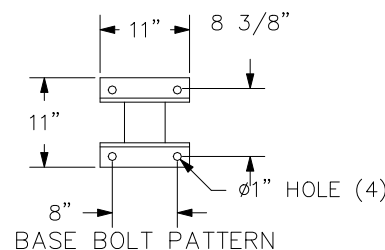


BRIDGE TROLLEY TRAVEL IS 12'-3 9/16".
ENDTRUCK TRAVEL IS 20'-3 1/2".



CREATED BY: WISCOLIFT INC

HANGERS ARE ON 20' CENTERS MAXIMUM WITH A 48" CANTILEVER ON EACH END MAXIMUM. HANGERS MUST BE WITHIN 48" OF SPLICE JOINT



DO NOT SCALE FROM DRAWING. DIMENSIONS ARE STEEL TO STEEL AND MAY VARY. HANGER POSITION TOLERANCE = $\pm 2 \frac{1}{2}$ "

CRANE INFORMATION	
CAPACITY: 2000LBS/BR	
BRIDGE OAL: 15'-0"	
BRIDGE SERIES: 2000	
RUNWAY OAL: 23'-0"	
RUNWAY SERIES: 2000	
TOLERANCE: $\pm 1/8$	
QUANTITY: 1	
I.D. #: DEMO2000FS.1A	

GORBEL
600 FISHERS RUN
P.O. BOX 593
FISHERS, NY 14453-0593

GLCS-FS-2000-15-23-12	
GENERAL ARRANGEMENT	
BY: bilcon	DATE: AUG 5, 2015
LINE #: 1	P/N: DEMO2000FS.1A