

SYMBOLS

▲ The **WARNING** symbol indicates a potentially hazardous condition/situation. The safety warnings throughout this manual, and on your equipment, if any, are for the protection of people and property. Failure by any operator to abide by safety warnings will result in a waiver of all liabilities, loss of your warranty, and could result in equipment damage and or failure, property damage, risk of serious bodily injury, and or death. The symbol may appear in various colors and in conjunction with other symbols and with or without the written word "WARNING".

INSTALLATION

1. Read and follow all labels, instructions, and warnings prior to use. For additional safety information, or to obtain a copy of labels, instructions, and warnings, call 1-800-451-1903, or visit www.ezaccess.com.
2. Place ramp(s) on the landing, making sure that the top lip transition plate is resting securely on the landing.
3. Position the ramp(s) securely on support surfaces (FIG. 1).
4. Ensure that the top lip transition plate fully overlaps the supporting surface and that the ramp is perpendicular (90°) to the edge of the support surface. If obstructions prevent the top lip transition plate from fully overlapping or being placed at 90° from the landing, reposition the ramp as required (FIG. 2).
5. The ramp is equipped with an anchoring hole on the top lip transition plate. Use anchoring hardware or suitable fasteners (not supplied) to securely attach the ramp to the landing, vehicle, or other structure when in use to prevent the top lip transition plate from slipping off the landing.

STORAGE

To prevent damage and injury, always store the ramp securely.

MAINTENANCE

1. Keep the ramp surface clean and free of debris.
2. Clean any oil or grease immediately.
3. Clean the ramp with mild detergent and warm water (consult manufacturer before using abrasives or chemical cleaners).

WARNINGS

- ▲ Maximum weight capacity is 1,250 lbs. (each) or 2,500 lbs. (set); never exceed weight capacity.
- ▲ When using a single ramp, do not exceed single ramp weight capacity of 1,250 lbs.
- ▲ Ensure that the landings the ramp will be placed on are substantial and of sound construction.
- ▲ Ensure the top lip transition plate fully overlaps the supporting surface. Use only if both the top lip transition plate and bottom transition plate of ramp(s) are supported by level, stable surfaces.
- ▲ Use only if the landing is capable of supporting, at minimum, the same loads as the ramp(s).
- ▲ Always exercise caution when using ramp(s).
- ▲ Use only if sufficient maneuvering room is available at both ends of the ramp(s).
- ▲ Always enter and exit ramp(s) along the centerline (Φ) (FIG. 1).
- ▲ Avoid dragging ramp(s) as this will rapidly wear the ramp and shorten useful life.
- ▲ Before each use, check the ramps for worn, loose, or damaged parts. If any part of the ramp is unstable, damaged, or defective, do not use.
- ▲ Do not tamper with, attempt to repair, or modify any portion of the ramp.
- ▲ Ramps will conduct heat rapidly. Do not place on or near open flame or hot objects as burns may result when using or handling.
- ▲ If ramps are exposed to heat, hot weather, or direct sunlight, use gloves when handling.
- ▲ Ramps in subfreezing temperatures will readily freeze any water that falls on the walking surface, thereby increasing the risk of slipping.
- ▲ Do not use the ramps if their surface is covered with ice, snow, dirt, leaves, or other debris. Remove all accumulations and sweep the surface clean before use.
- ▲ Water on the ramp surface will decrease the traction and increase the risk of slipping. Use extreme caution when wet.
- ▲ When using ramp(s) in wet conditions, reduce weight, limit travel speed, and reduce ramp angle if possible. If angle, load, or traction conditions are deemed unsafe, DO NOT USE ramp(s)!

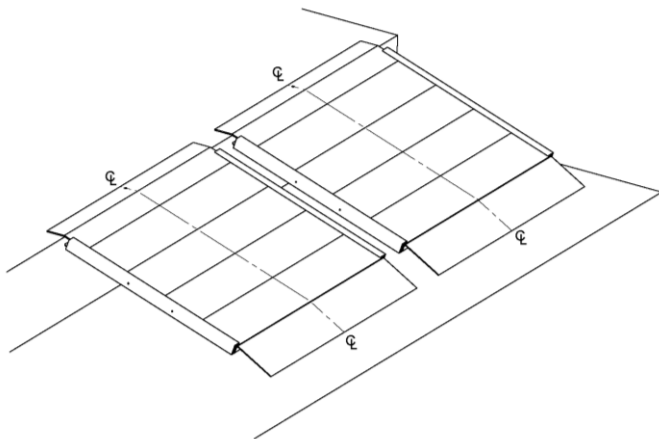


FIG. 1

FIG. 1

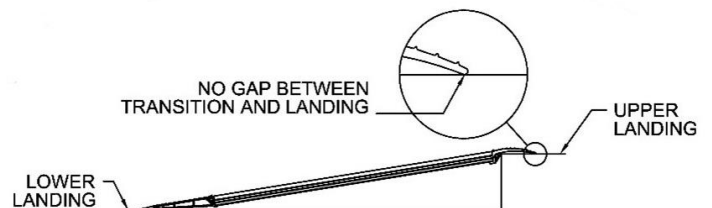


FIG. 2