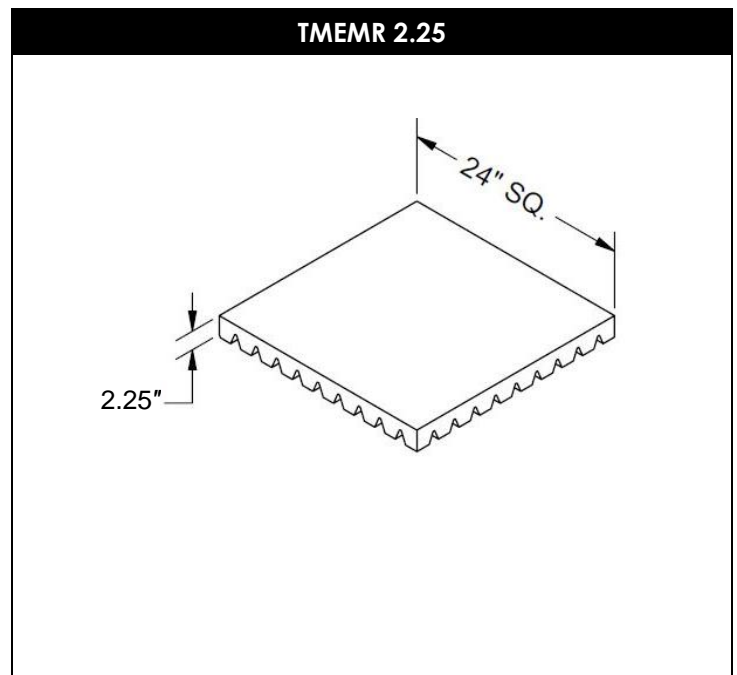
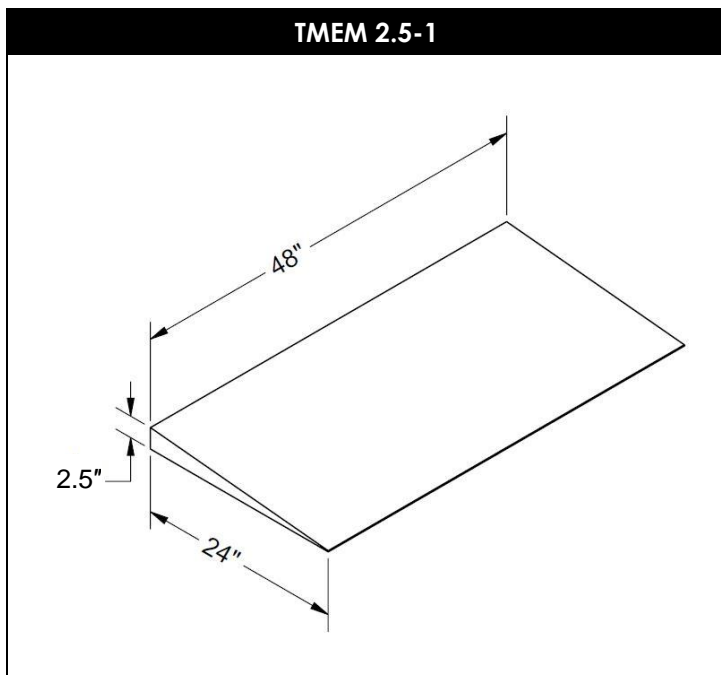




TRANSITIONS® Modular Entry Mat

Technical Specifications

MODEL	TMEM 2.5-1	TMEMR 2.25
MADE 100% RECYCLED RUBBER		✓
SLIP-RESISTANT SURFACE		✓
USABLE SIZE (H x L x W)	2.5" x 24" x 48"	2.25" x 24" x 24" per riser (2 each)
OVERALL SIZE (H x L x W)	2.5" x 24" x 48"	2.25" x 24" x 24" per riser (2 each)
WEIGHT	40 lbs.	23.5 lbs. per riser (2 each)
WEIGHT CAPACITY (DO NOT EXCEED)	850 lbs.	
FOR WHEELCHAIRS & SCOOTERS		✓
WARRANTY	Lifetime Limited (please visit www.ezaccess.com for complete warranty details)	



IMPORTANT: The weights and dimensions shown throughout this document are intended for reference only; they are approximate and subject to change. Please consult EZ-ACCESS for certified drawings. Refer to instruction manual for complete information on rated load and proper usage.