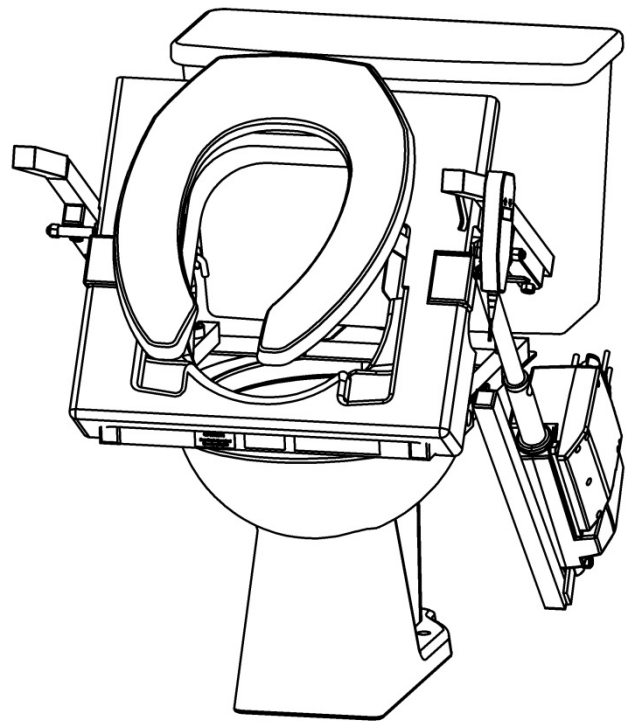
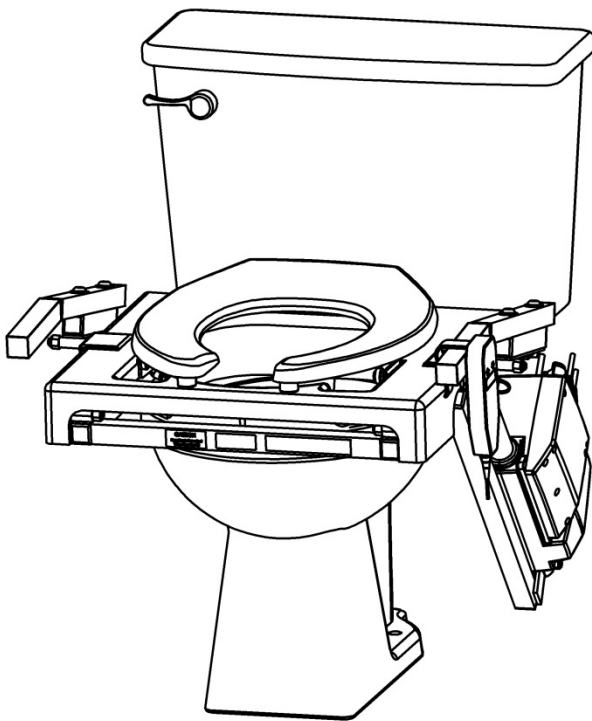

Installation and User Manual

TILT® Toilet Incline Lift – Corded Power

UNIVERSAL MOTOR MOUNT (LEFT OR RIGHT SIDE)



2-YEAR WARRANTY. Please register at www.ezaccess.com/warranty-satisfaction.

© Homecare Products, Inc. All rights reserved.

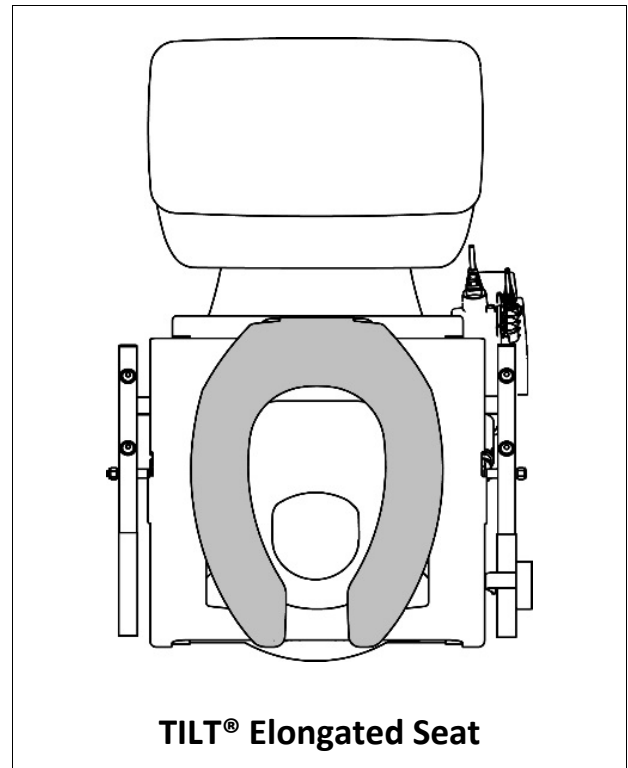
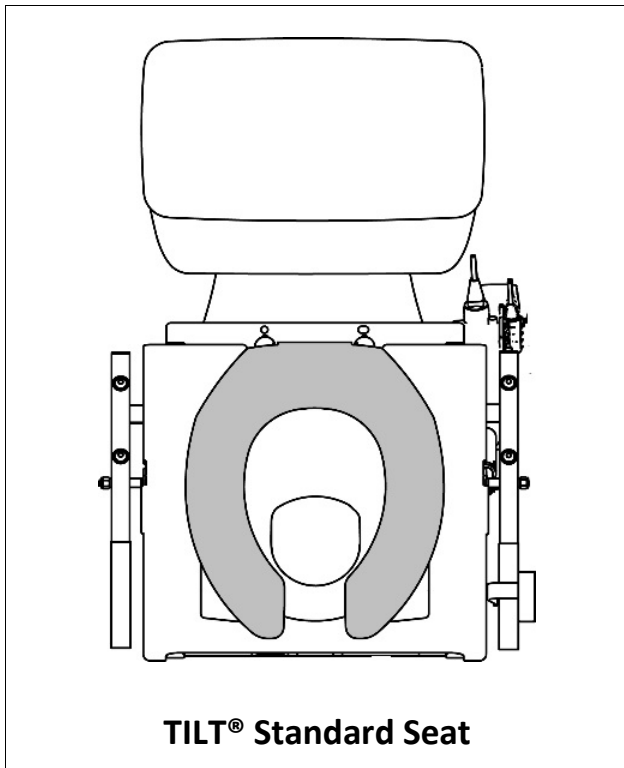
All text and images contained in this document are proprietary and may not be shared, modified, distributed, reproduced, or reused without the express written permission of EZ-ACCESS®, a division of Homecare Products, Inc.

TABLE OF CONTENTS

INTRODUCTION.....	2
SYMBOLS AND WARNINGS.....	3
GETTING STARTED, BOX CONTENTS, TOOLS NEEDED, HARDWARE CONTENTS, PRODUCT OVERVIEW	4
SECTION 1: PRE-INSTALLATION	5
SECTION 2: FRAME INSTALLATION	5
SECTION 3: ACTUATOR MOUNT	6-8
SECTION 4: ACTUATOR DETAIL AND ASSEMBLY	9
SECTION 5: TEST TILT ACTION.....	9
SECTION 6: HANDHELD CONTROL	10
SECTION 7: POST INSTALLATION AND BEFORE USE INSPECTION.....	10
SECTION 8: CLEANING / SANITATION / MAINTENANCE	11
SECTION 9: TROUBLESHOOTING.....	11

INTRODUCTION

- Thank you for purchasing the EZ-ACCESS® TILT® Toilet Incline Lift. The TILT was designed to provide lifting/lowering support while toileting.
- Please read these instructions entirely before installing or using your new TILT.
- After installation, it is important that you cycle - fully raise and lower - the TILT 3-4 times (without sitting on or adding any weight to the seat) to become familiar with its functionality.
- Actuator images shown are for illustrative purposes only; actual style may vary.



SYMBOLS

- ⚠ The **WARNING** symbol indicates a potentially hazardous condition/situation. The safety warnings throughout this manual, and on your equipment, if any, are for the protection of people and property. Failure by any operator to abide by safety warnings will result in a waiver of all liabilities, loss of your warranty, and could result in equipment damage and or failure, property damage, risk of serious bodily injury, and or death. The symbol may appear in various colors and in conjunction with other symbols.
- ✋ The **NOTE** symbol indicates important information. Failure to obey all notes could result in improper operation, less-than-optimum equipment performance, and at the sole discretion of the equipment manufacturer, may void your warranty. The symbol may appear in various colors and in conjunction with other symbols.

WARNINGS

- ⚠ Rated load: 325 lbs.; never exceed rated load.
- ⚠ Product is non-returnable if the sealed bag containing the TILT is opened or altered.
- ⚠ Use the TILT only with a qualified helper.
- ⚠ Manufacturer recommends professional installation by a qualified technician.
- ⚠ Read and follow all instructions and warnings prior to assembly and use. Correct installation, proper use, following instructions and obeying warnings are necessary for safe operation. For additional information, or to obtain replacement copies of instructions or labels, call 1-800-451-1903 or visit www.ezaccess.com.
- ⚠ Understand and learn the location and function of all the features before operating.
- ⚠ For use with secure, properly mounted, floor mounted toilets only.
- ⚠ Observe and avoid all pinch points and always keep hands above the seat when operating the TILT.
- ⚠ Ensure that there is no interference within the TILT's range of movement.
- ⚠ To help prevent slipping, it is important to wear footwear with firm, non-skid soles when using the TILT.
- ⚠ Remove loose rugs and make sure that the area around the TILT is free of all obstructions and moisture.
- ⚠ The TILT is strictly an assist lift. The user must have dexterity, strength, and balance in order to use the TILT safely. Non-responsive or combative users may not be suitable for TILT usage.
- ⚠ When using TILT, never let clothing contact the TILT seat; clothing can make the seat slippery and dangerous!
- ⚠ Never use TILT as a chair, only sit on TILT when it is being used as intended.
- ⚠ Do not use TILT for anything other than its intended purpose.
- ⚠ Before and during TILT operation, ensure all hair, jewelry, shirts, ties, shoelaces, and all other forms other personal attire and ornamentation are not, and do not, hang up on anything that may create a hazard.
- ⚠ Never modify the TILT or any of its components. Padded toilet seats cannot be used with the TILT.
- ⚠ Periodic inspections by a qualified technician are recommended to help prevent unsafe conditions. Regularly check that all parts are in good condition and verify all hardware and other fasteners are undamaged and secure. If any part of the TILT is damaged, loose, or faulty, do not use until repairs can be made by a qualified technician.
- ⚠ Do not route power cords so that they may become damaged, pinched, create trip hazards, or create other safety concerns. Check all TILT electrical cords frequently to ensure they are not worn or damaged. Stop using TILT immediately and contact your Certified Dealer or Technician if any defect is suspected.
- ⚠ To reduce risk of shock and or electrical hazard, always keep all electrical components free from moisture and only use properly grounded electrical equipment, outlets, and plugs.
- ⚠ Do not play on or around the TILT.
- ⚠ Do not continually operate the hoist functions. The system is not designed as an exercise machine and continuous operation will cause damage the actuator.
- ⚠ Do not pull on, or otherwise exert excessive force on, the handset cable as this may break off the wires inside the cable and prevent TILT operations.
- ⚠ If TILT is not lifting, do not continue to repeatedly press handset buttons because the actuator has either reached its end position, the load is too great, or there is another problem.
- ⚠ Maintaining all labels and manuals in legible condition is required by the TILT owner and is essential for safe operation. Contact your Certified Dealer or Technician for additional information, replacement labels and manuals, or to schedule inspections, repairs, or service. For additional care, use or safety information, call 1-800-451-1903 or visit us at www.ezaccess.com.
- ⚠ Information in this document is subject to change without notice. The most current version of this manual is available on our website at www.ezaccess.com.
- ⚠ Before installation, ensure that there is enough space for proper TILT operation.
- ⚠ Attempting to tamper with or modify any portion of the TILT will void the warranty and could create a hazardous situation.

GETTING STARTED

1. Information in this document is subject to change without notice. The most current version of this manual is available on our website at www.ezaccess.com.
2. Before installation, ensure that there is enough space for proper TILT operation (refer to 'PRE-INSTALLATION' section).
3. The TILT warranty is not transferable. Attempting to tamper with or modify any portion of the TILT will void the warranty. Using the TILT for anything other than its intended purpose will void the warranty.

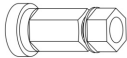


BOX CONTENTS

1. Open box and inspect contents for shipping damage before use. In case of damage, do not use the TILT. Please call 1-800-451-1903 for further instructions.
2. Product is non-returnable if the sealed bag containing the TILT is opened or altered.

TOOLS NEEDED

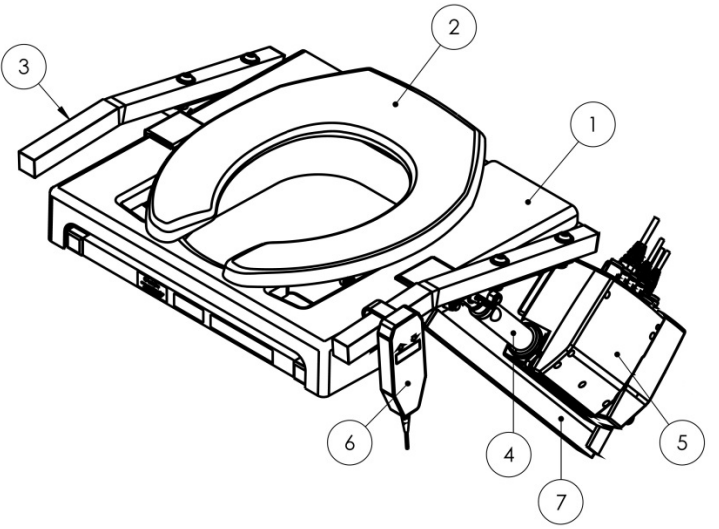
- ✓ 5/8" wrench
- ✓ 9/16" wrench
- ✓ Locking pliers

HARDWARE CONTENTS

QTY	DESCRIPTION	VISUAL
2	PLASTIC TOWER NUT	
2	WASHER FLAT .375 X .875 X .06 TEFLON	
2	BOLT HEX .375-16 X 1.75 GRADE 18-8, PARTIAL THREAD	

PRODUCT OVERVIEW

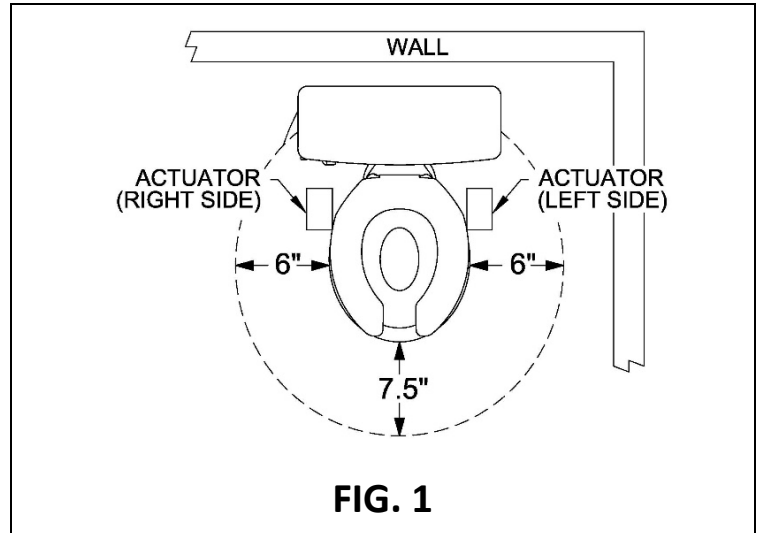
REF #	DESCRIPTION
1	PLASTIC SHIELD - REMOVABLE
2	TOILET SEAT – STANDARD SEAT SHOWN
3	HANDLES WITH FOAM GRIP
4	ACTUATOR (MOTOR) – MOUNTED TO FRAME
5	120V AC CONTROL BOX
6	HANDHELD CONTROL – PUSH BUTTON DEVICE
7	ACTUATOR MOUNT



1. PRE-INSTALLATION

1.1 Before installation, ensure there is sufficient space around TILT for proper operation. The TILT frame requires 6" on either side of the toilet bowl and 7-1/2" in front of the bowl (FIG. 1).

- ✎ For illustrative purposes only, FIG. 1 shows the actuator mounted on both the left and right sides; your actuator will be mounted on either the left or the right.
- ✎ Determine left/right with your back to the toilet.



2. FRAME INSTALLATION

2.1 Remove existing seat and lid from toilet bowl.

- ✎ The TILT ships with its own seat, which will replace your toilet's current seat and lid.
- ⚠ Always use the toilet seat provided with the TILT; do not replace it with any other seat.

2.2 Set the TILT frame on the toilet, in place of the seat that was previously removed. Align two holes on the TILT's mounting plate with the existing two holes on the toilet bowl.

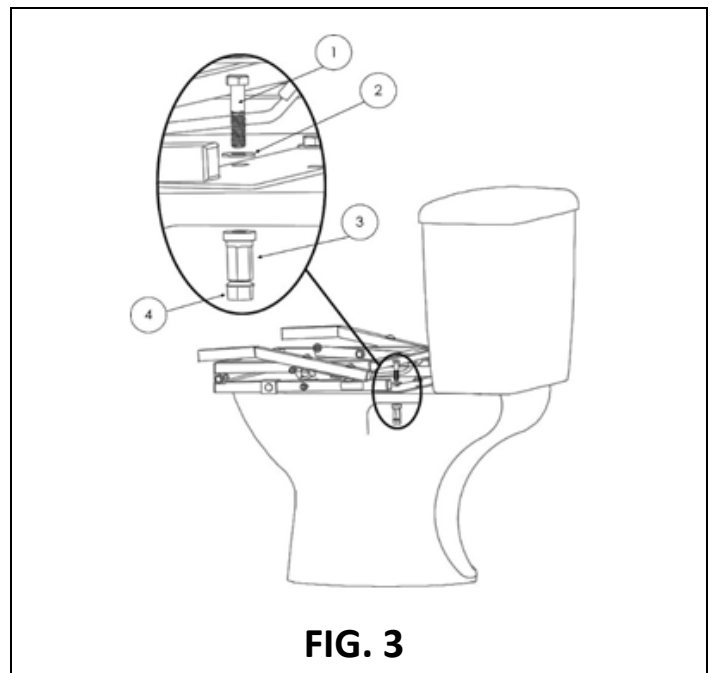
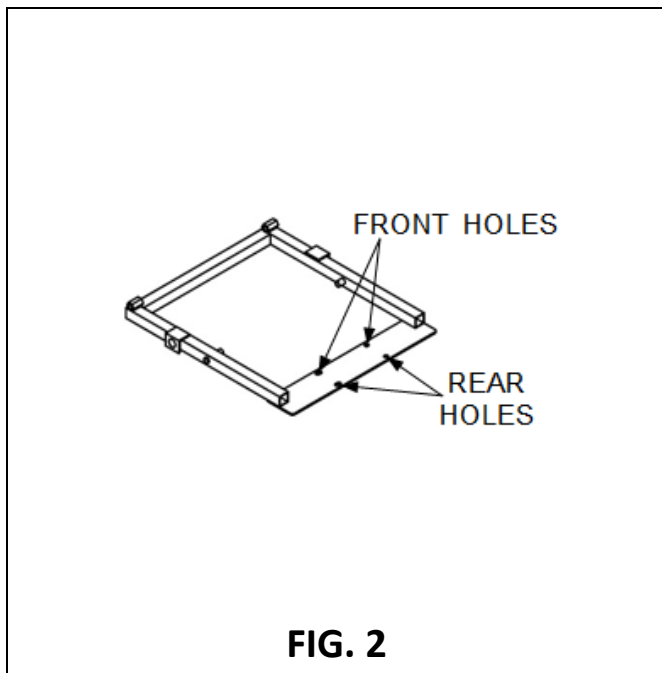
- ✎ The mounting plate front holes are for a round STANDARD bowl; rear holes are for an ELONGATED bowl (FIG. 2).

2.3 Using hardware provided, place one bolt ① and washer ② through each hole in the TILT frame and through the hole on the toilet bowl. Using a 9/16" wrench, hold the top of the bolt in place, then thread the plastic tower nut ③ to the bottom side of the bolt. Hand tighten.

2.3.1 Repeat the process for the second hole (FIG. 3).

2.4 Tighten each plastic tower nut ③ by tightening the snap nut ④ with a 5/8" wrench.

- 2.4.1 The snap nut ④ will snap off from the plastic tower nut ③ once the proper tightness/torque is applied.



3. ACTUATOR MOUNT

3.1 Once the frame is properly mounted to the toilet, carefully lift/extend the TILT by pulling the two handles forward and slightly upward (FIG. 4), until the seat is fully raised and slightly overextend (this allows the seat to stay in the “up” position while the actuator and actuator mount are installed).

3.2 The actuator mount is universal for both the left and right side of the TILT and is factory packaged configured for a left side mount. Depending on space requirements (see ‘PRE-INSTALLATION’ section) or bathroom configuration, it may be necessary to change to a right-side mount.

3.2.1 Determine left/right with your back to the toilet.

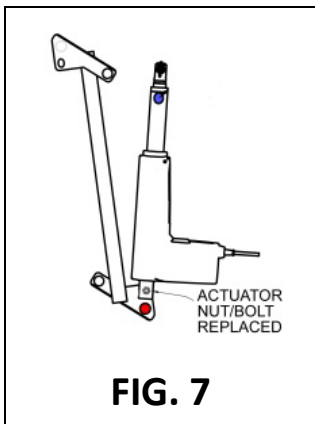
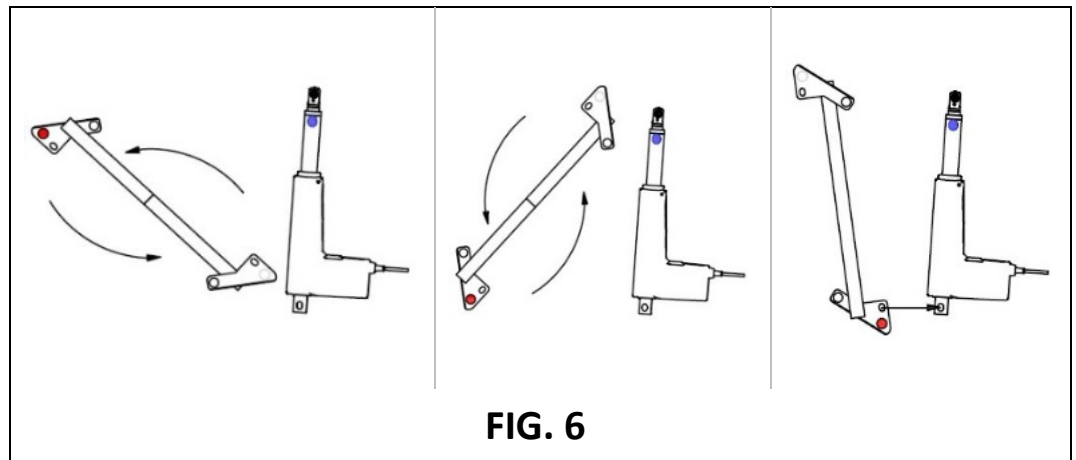
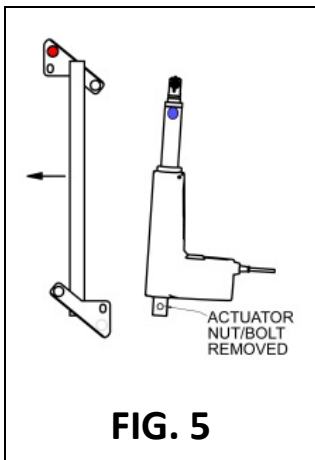
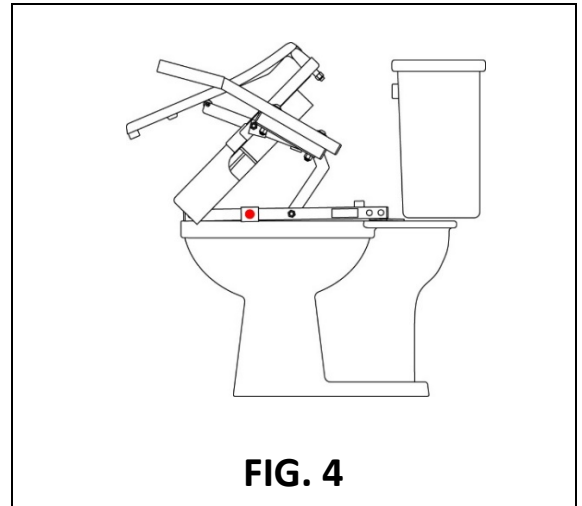
3.2.2 For left side mount, alignment dots will be **red**;
for right side mount they will be **green**.

3.3 To switch actuator and actuator mount from the left side to right, release actuator by removing the bolt (FIG. 5) using a 9/16” wrench and locking pliers to secure the nut while backing out the bolt.

3.4 Flip actuator mount 180-degrees as shown (FIG. 6), and then replace actuator by aligning oblong hole in actuator mount between slotted tabs on actuator.

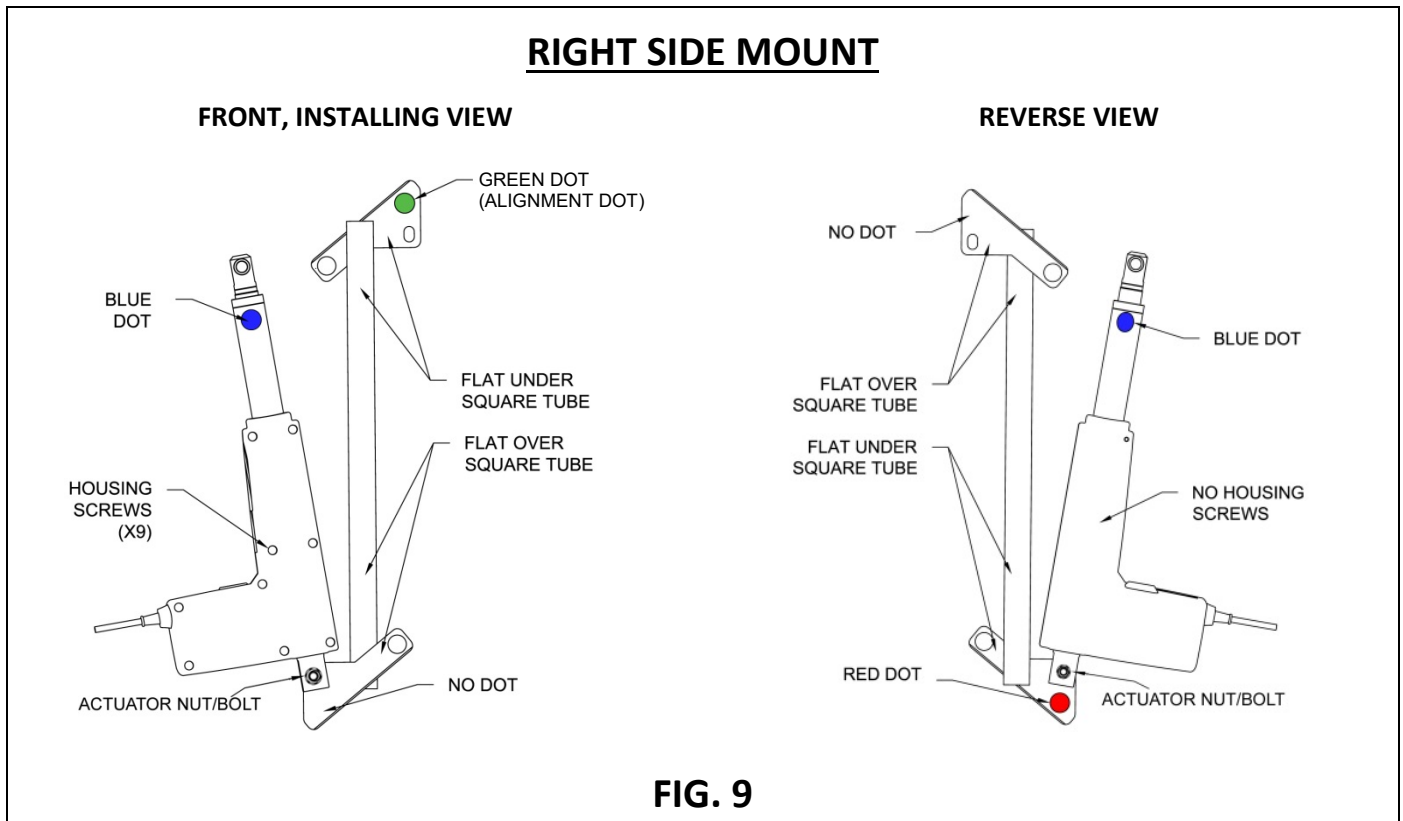
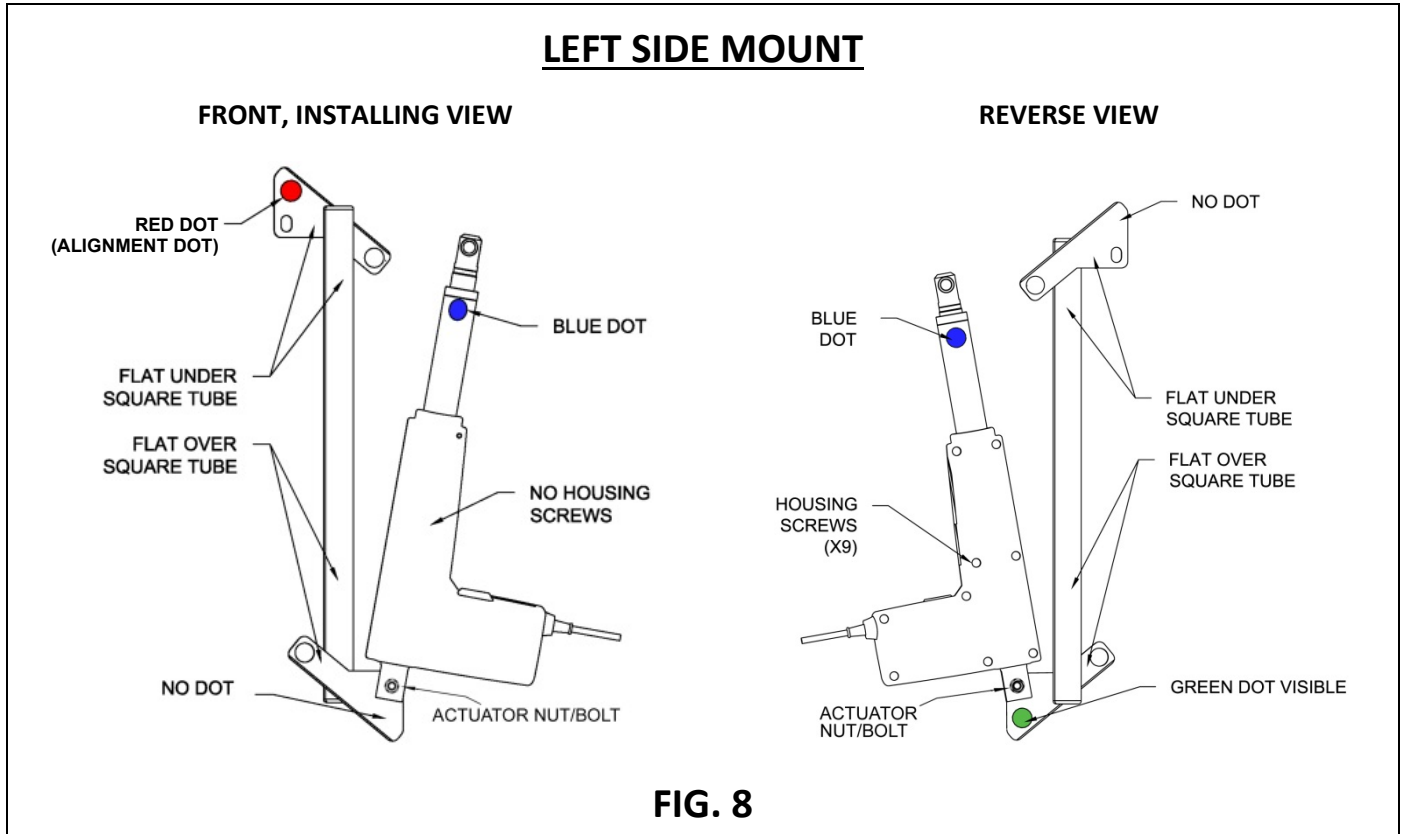
3.5 Replace nut and bolt (FIG. 7). Fasten securely.

👉 Actuator images shown are for illustrative purposes only; actual style may vary.

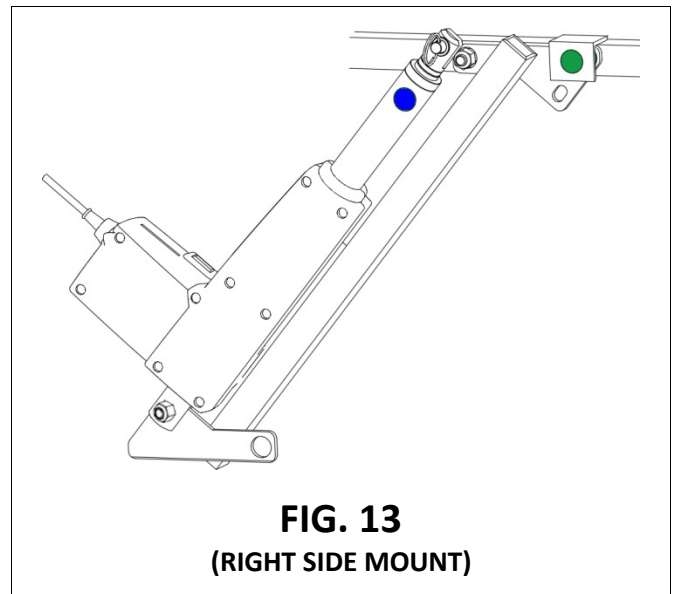
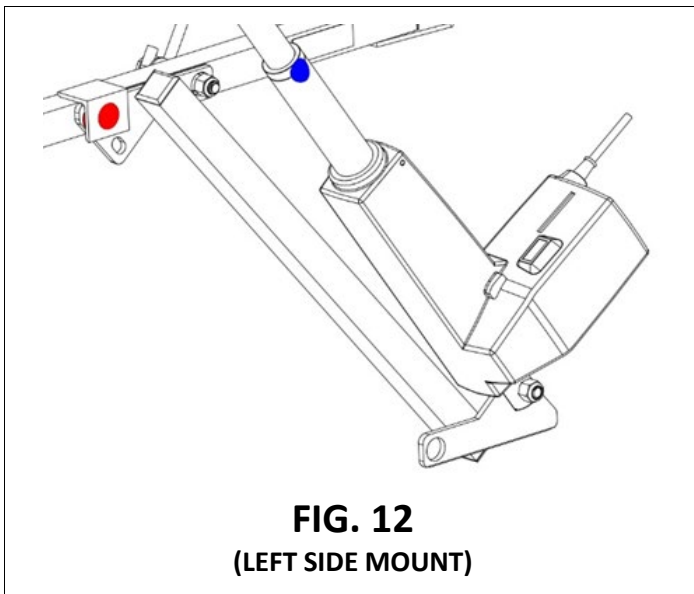
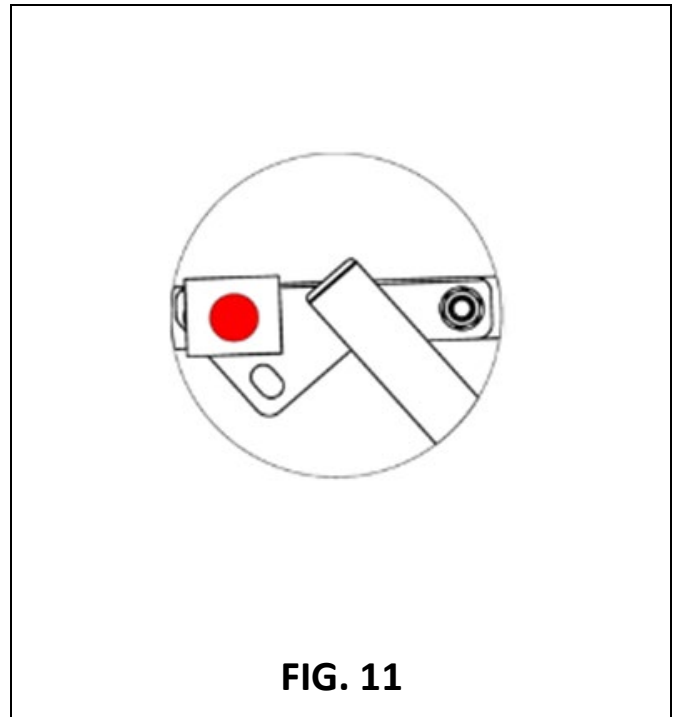
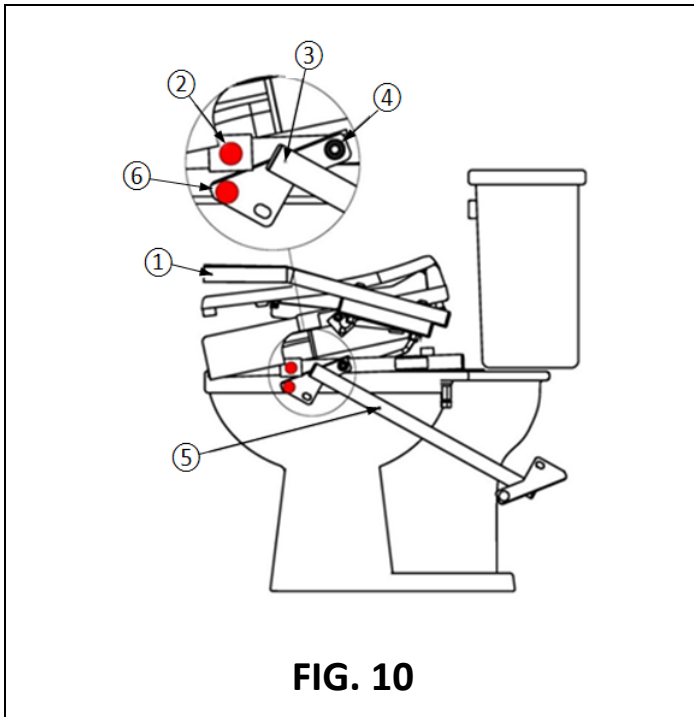


3.6 For a left side mount, **red** alignment dots will be facing outward, away from the bowl (FIG. 8). For a right-side mount, **green** alignment dots will be facing outward (FIG. 9).

👉 Actuator images shown are for illustrative purposes only; actual style may vary.

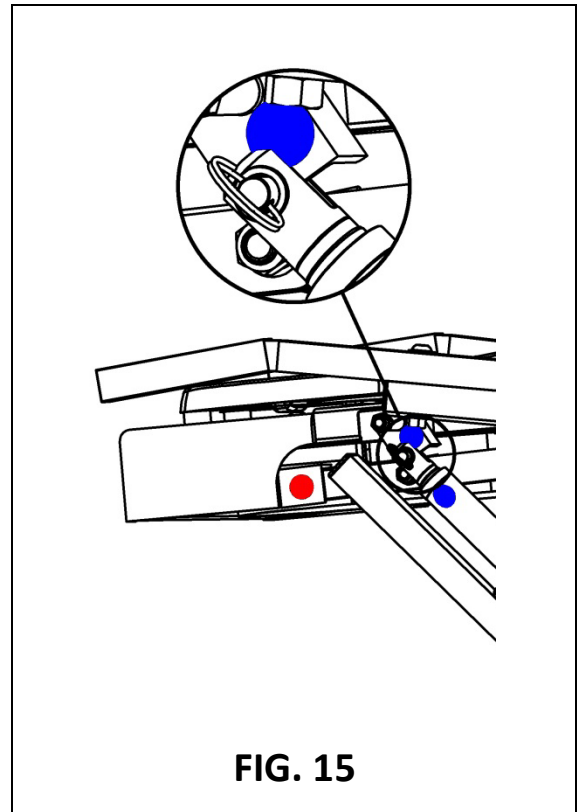
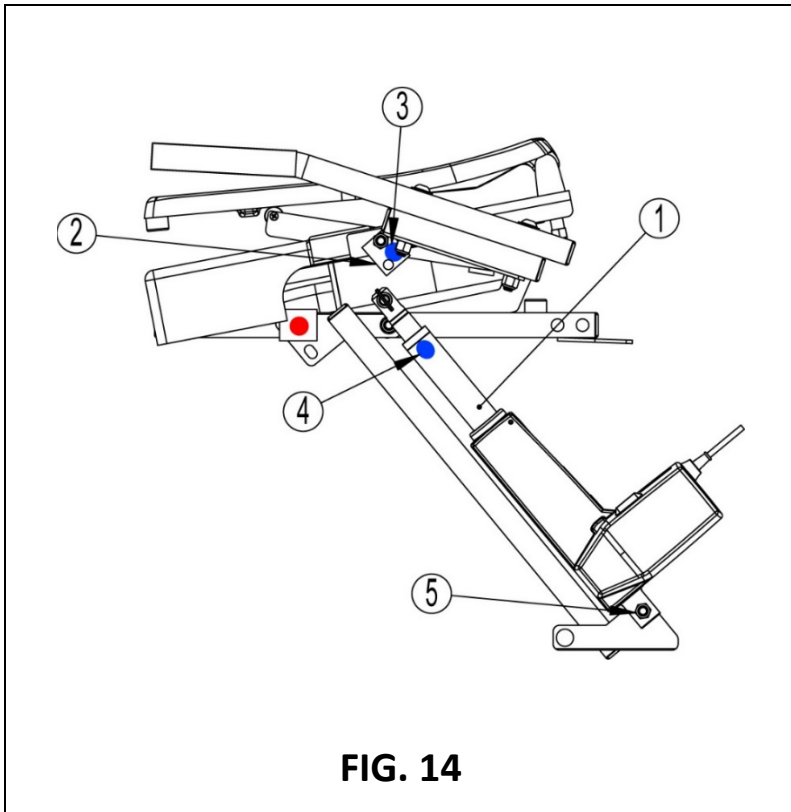


- 3.7 Place actuator mount ③ over bolt ④ as shown (FIG. 10).
- 3.8 With your hand on position ⑤, push actuator mount down and guide actuator mount tab ⑥ into the frame bracket ②, until it rests completely inside the frame bracket ②.
- 3.8.1 At this point, the two red alignment dots (green if right side mount) will align, one over top of the other, when actuator mount is in proper position, as shown in (FIG. 11).
- 3.8.2 FIGs. 12 and 13 show completed actuator installation.



4. ACTUATOR DETAIL AND ASSEMBLY

- 4.1 Using the **blue** dots on actuator bracket ③ and actuator ④ as guides (FIG. 14), hold actuator ① and lower the seat to align the actuator slot with the actuator bracket ②.
- 4.2 Ensure the actuator bracket rests inside of the actuator slot.
- 4.3 Once aligned, fully insert the pin into actuator and through the bracket (FIG. 15).

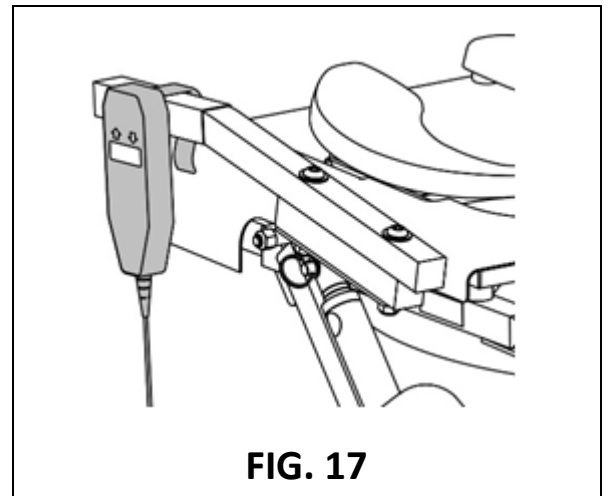
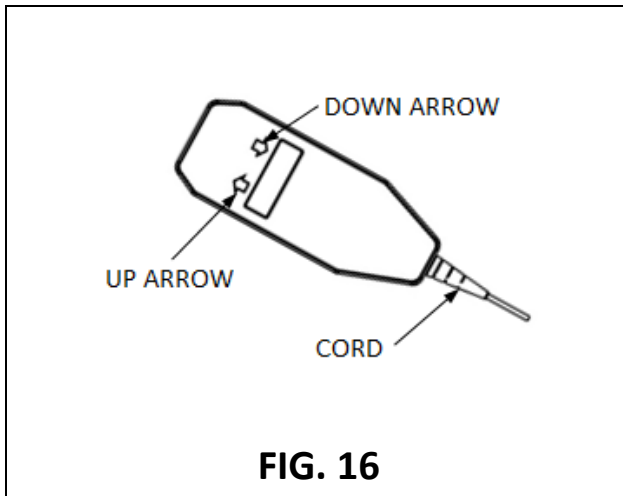


5. TEST TILT ACTION

- 5.1 Plug the 120VAC TILT cord into a properly grounded GFCI protected outlet.
 - ⚠ If you are unsure if you have a properly grounded GFCI outlet, contact an electrician for assistance.
 - ⚠ Do not remove the round grounding prong from any plug.
 - ✋ Actuator images shown are for illustrative purposes only; actual style may vary.
- 5.2 Follow steps in next section to learn the functions of the handheld control.

6. HANDHELD CONTROL

- 6.1 The handheld control ships from the factory already plugged into the actuator; no further assembly is required.
- 6.2 Spend some time to become familiar with the look and feel of the handheld control as well as the location of the control's directional arrows (FIG. 16).
- 6.3 Use the handheld control to test cycle (raise and lower) the TILT 3-4 times, without sitting on or adding any weight to the seat, to learn its functionality, ensure that the unit is free from obstructions, and is working properly.
 - 6.3.1 To RAISE: Push and hold the "up" button to raise the TILT.
 - 6.3.2 To LOWER: Push and hold the "down" button to lower the TILT.
- 6.4 For convenient storage and access, hang the handheld control onto the TILT handle (FIG. 17).



7. POST-INSTALLATION AND BEFORE USE INSPECTION

- 7.1 Inspect the TILT to make sure all components are in place.
- 7.2 Ensure that all hardware is in place and that the TILT operates properly.
- 7.3 For questions or concerns, please call 1-800-451-1903 or consult your Certified Dealer or Technician.

8. CLEANING / SANITIZATION / MAINTENANCE

- 8.1 For hygiene and safety, diligent cleaning, sanitization, and inspection of the TILT is essential and each situation may have unique requirements. For example, multiple users may have different health and sanitization needs than a single user. It is important that an effective cleaning and sanitization schedule be established that fits your situation. You may clean debris and soils from the TILT using a soft cloth with warm water and mild soap, noting that while soap and water may remove debris, additional methods are needed to sanitize the TILT. Ensure all potential contaminants are removed and the TILT is sanitized before and after each use.
- 8.2 Do not use toilet bowl cleaner or abrasives on the TILT or any of its components.
▲ Ensure all components are dry prior to re-assembly and use of the TILT.
- 8.3 To access the removable plastic shield for cleaning, use the handheld control to raise the TILT into its “up” position.
- 8.3.1 Lift toilet seat.
- 8.3.2 Remove the plastic shield (FIG. 18) by grabbing it from the front and lifting upward, then pulling forward until the shield slides out of the TILT.
- 8.4 To re-insert the plastic shield:
- 8.4.1 Ensure the TILT is raised to its “up” position.
- 8.4.2 Lift toilet seat.
- 8.4.3 Insert the plastic shield (FIG. 18) by aligning cutouts over the support rollers.
- 8.4.4 Lower toilet seat.
- 8.5 Before use, lower and raise the TILT carefully, ensuring nothing obstructs the operation of the lift.
- 8.6 TILT shown lowered with plastic shield in place (FIG. 19).

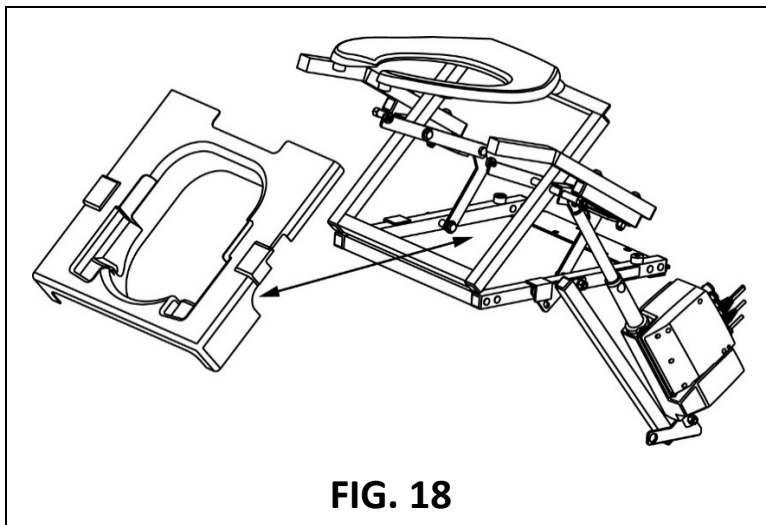


FIG. 18

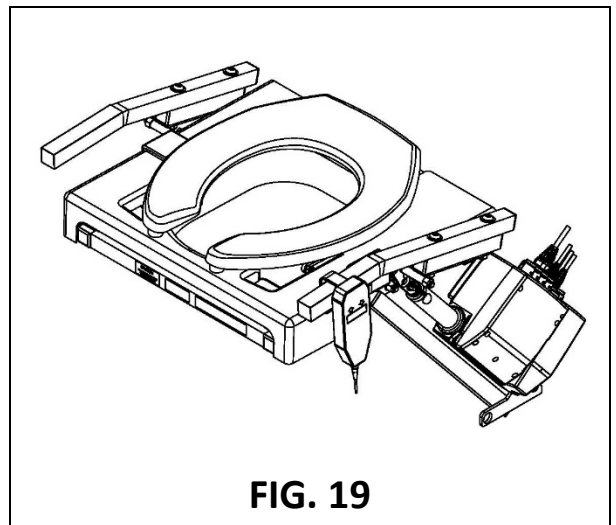


FIG. 19

9. TROUBLESHOOTING

SYMPTOM	POTENTIAL CAUSE	SOLUTION
TILT will not lift and/or lower	<ul style="list-style-type: none"> • Unit not plugged into a functional circuit • Handheld control push buttons non-functional 	<ul style="list-style-type: none"> • Ensure TILT cord is plugged into a properly grounded GFCI protected outlet • Call for assistance checking handheld operation
TILT shakes or is noisy	<ul style="list-style-type: none"> • Damaged or loose toilet hardware 	<ul style="list-style-type: none"> • Inspect hardware, replace as necessary
Seat moves left or right	<ul style="list-style-type: none"> • Loose mounting hardware at seat 	<ul style="list-style-type: none"> • Inspect hardware, replace as necessary

For assistance, please call 1-800-451-1903