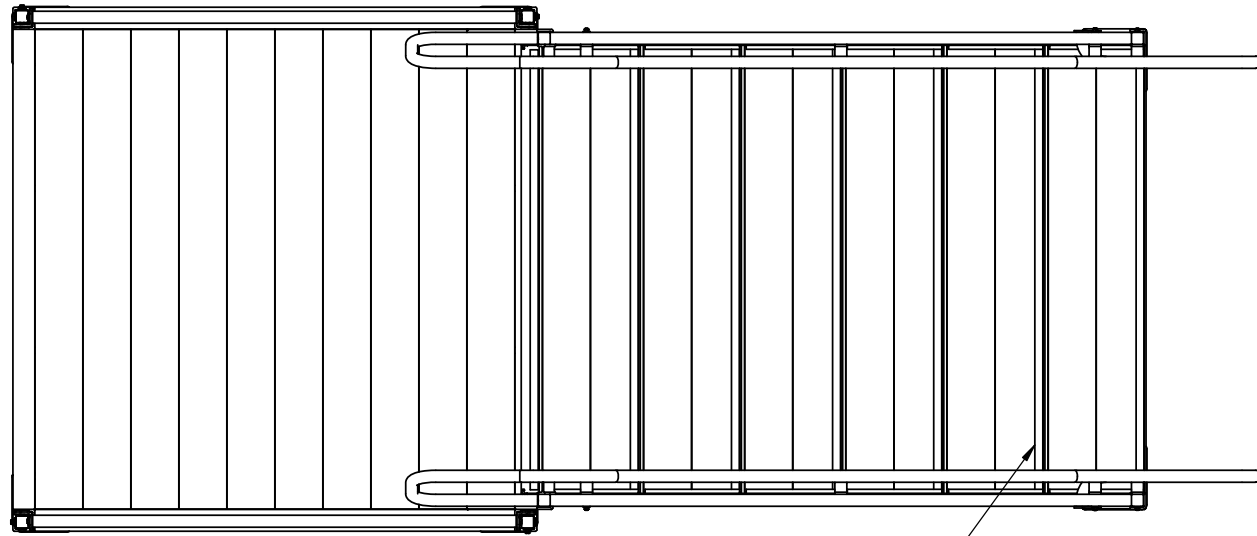
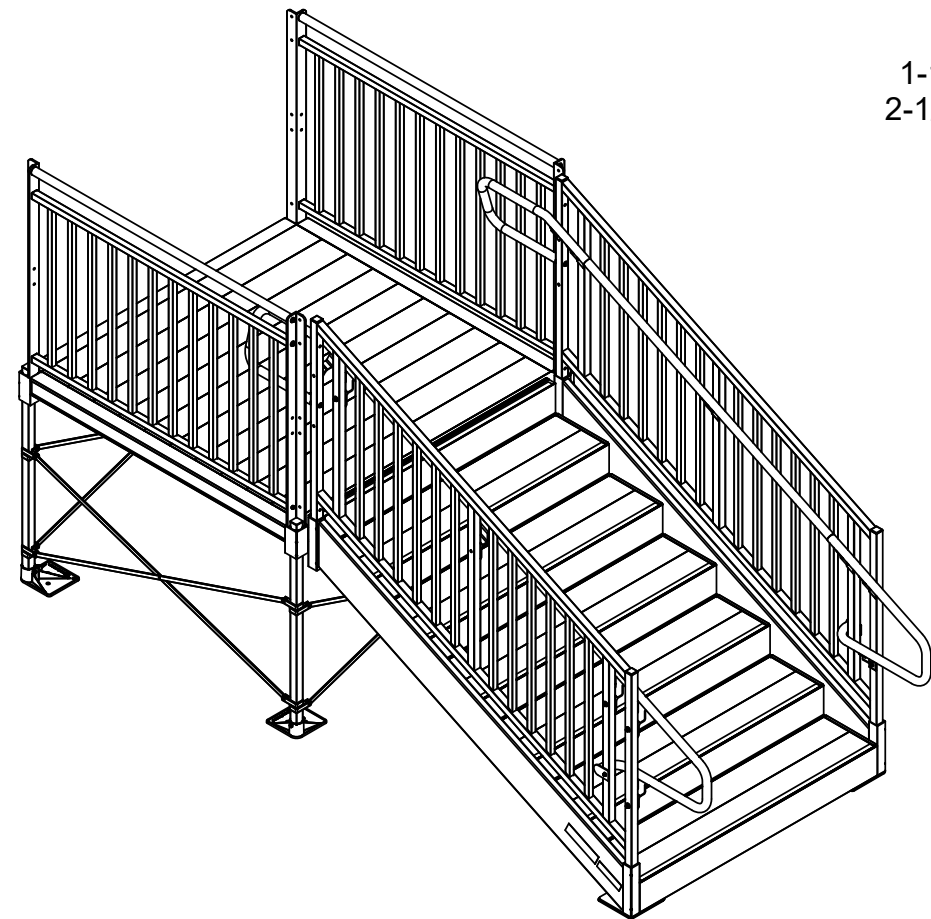


DOOR



PLAN VIEW
PATHWAY HD MODULAR ACCESS
SYSTEM 42" RISE SHOWN

1" WIDE SLIP-RESISTANT
MARKING STRIPE ON FRONT
OF EACH RISER TREAD

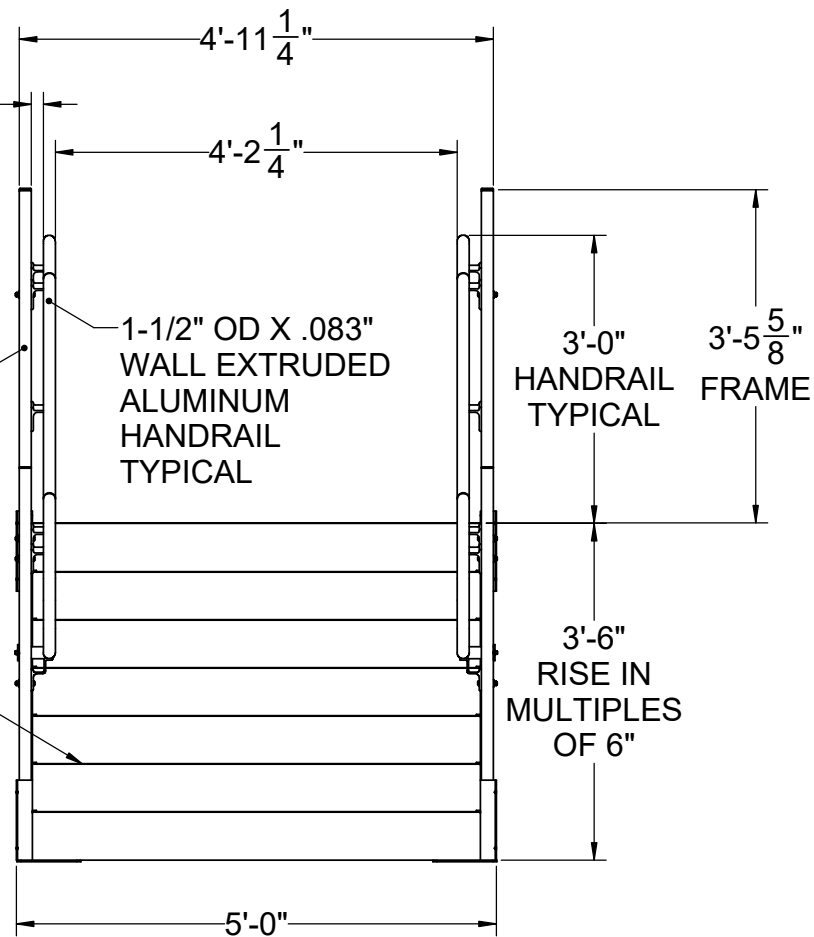


ISOMETRIC VIEW
SCALE 1 : 16

1-1/2" (IBC STANDARD)
2-1/4" (NFPA - CUSTOM)

1-1/2" SQUARE
X 3/16" WALL
ALUMINUM
TUBE FRAME
SUPPORT

1-1/8" X 1'-5/8"
SLIP-RESISTANT
EXTRUDED
ALUMINUM
TREAD TYPICAL



A 6" RISERS

GENERAL NOTES:

1. DESCRIPTIONS ARE FOR ILLUSTRATIVE PURPOSES AND MAY NOT REPRESENT ACTUAL DIMENSIONS, FIELD CONFIRMATION REQUIRED.
2. SYSTEM COMPONENTS SHALL BE DESIGNED TO MEET APPLICABLE IBC LOAD REQUIREMENTS.
3. ALUMINUM STRUCTURAL DESIGNS SHALL CONFORM TO THE ALUMINUM ASSOCIATION SPECIFICATIONS AND GUIDELINES FOR ALUMINUM STRUCTURES.
4. RAMPS, LANDINGS, STEPS, GUARDS, HANDRAILS, AND LEGS, SHALL BE CONSTRUCTED USING 6000 SERIES ALUMINUM ALLOY WITH 6061-T6 OR 6005-T5 BEING USED FOR STRUCTURAL COMPONENTS.
5. RAMPS, PLATFORMS, AND LANDINGS, SHALL BE DESIGNED FOR VARIABLE HEIGHTS AND HAVE A CONTINUOUS WALKING SURFACE, WITHOUT GAPS, AND SHALL BE COMPRISED OF APPROXIMATELY 1-1/4" X 6" HIGH SELF-MATING ALUMINUM DECK WITH EXTRUDED SLIP RESISTANT SURFACE.
6. ALL FASTENERS SHALL BE CORROSION RESISTANT.
7. HANDRAIL SHALL BE 1-1/2" DIAMETER TUBING, THE TOP OF WHICH SHALL BE 36" ABOVE THE WALKING SURFACE.
8. HANDRAIL GRIPPING SURFACE SHALL BE SMOOTH AND CONTINUOUS THROUGHOUT RAMP SECTIONS, STEPS, AND LANDINGS.
9. LANDINGS SHALL BE PREFABRICATED IN TYPICAL 65-1/2" SQUARE, 77-1/2" SQUARE, 65-1/2" X 77-1/2" RECTANGULAR OR 65-1/2" X 89-1/2" RECTANGULAR SECTIONS.
10. INTERMEDIATE (RESTING) LANDINGS SHALL BE PROVIDED AT INTERVALS OF 30 INCHES OF VERTICAL RISE AND AT EACH DIRECTION CHANGE.
11. GUARDS SHALL FORM A PROTECTIVE BARRIER A MINIMUM OF 42" HIGH AT ELEVATIONS OF 30" AND ABOVE. GUARDS SHALL BE DESIGNED SUCH THAT A 4" SPHERE CANNOT PASS THROUGH ANY OPENING.
12. LEGS SHALL HAVE THROUGH BOLTED 7-3/8" X 7-3/8" POLYMER FOOT.
13. STEP RISERS SHALL BE CLOSED AND BETWEEN 7" MAX. AND 4" MIN. HIGH AND TREADS SHALL BE 11" MIN. DEEP X 48" MIN. WIDE BETWEEN HANDRAILS.

PROPRIETARY AND CONFIDENTIAL

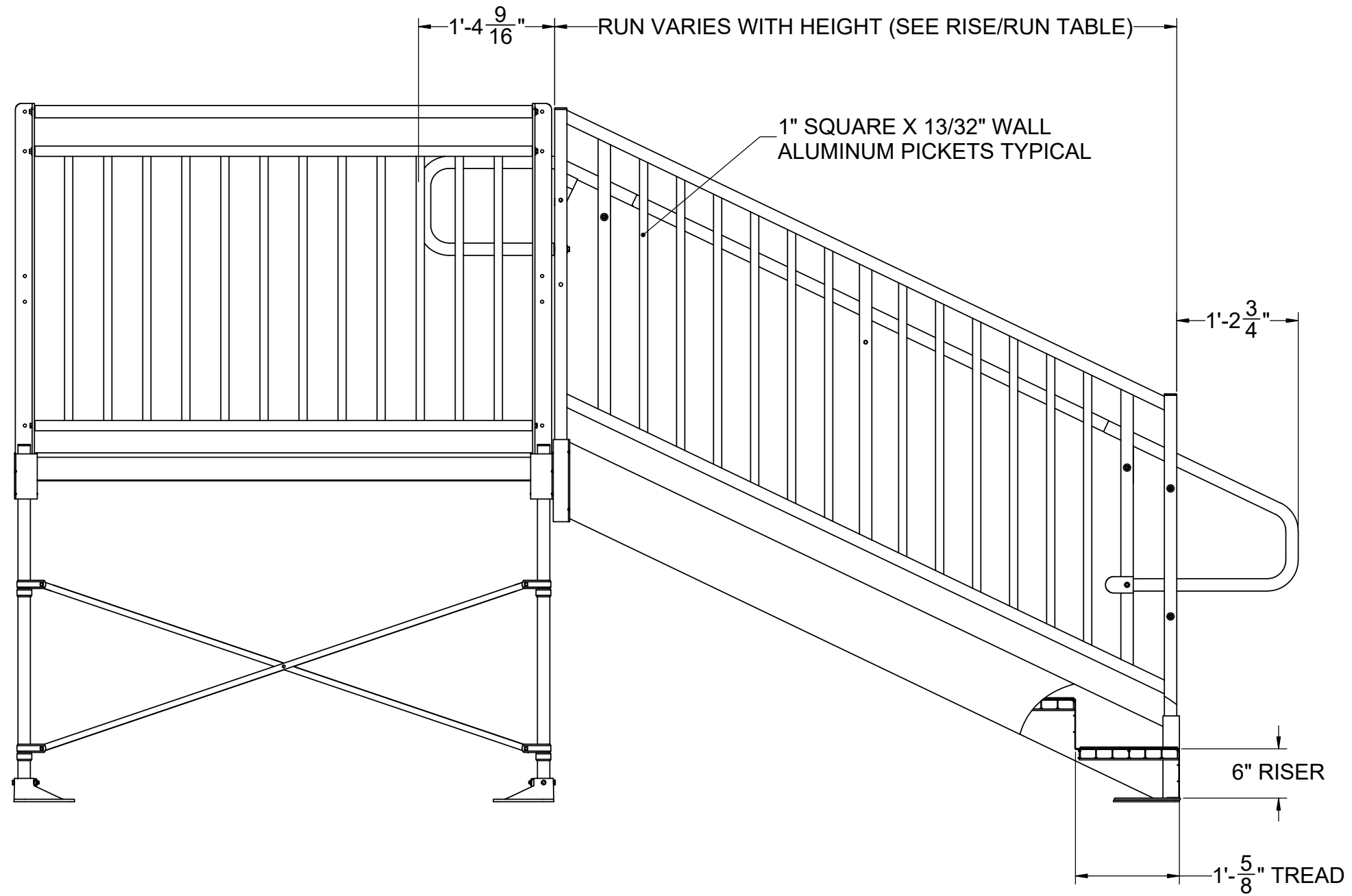
© EZ-ACCESS®, A DIVISION OF
HOMECARE PRODUCTS, INC. ALL
RIGHTS RESERVED. ALL TEXT AND
IMAGES CONTAINED IN THIS
DOCUMENT ARE PROPRIETARY AND
MAY NOT BE SHARED, MODIFIED,
DISTRIBUTED, REPRODUCED, OR REUSED
WITHOUT THE EXPRESS WRITTEN
PERMISSION OF EZ-ACCESS.



SIZE D	DWG. NO. PATHWAY HD 6" RISERS	REV B
------------------	---------------------------------------------	-----------------

SCALE: 1:12 WEIGHT: 371.750 SHEET 1 OF 2

RISE	RUN
18"	2'-1-7/8"
24"	3'-2-3/16"
30"	4'-2-7/8"
36"	5'-3-7/16"
42"	6'-4-1/8"
48"	7'-4-7/8"
54"	8'-5--3/8"
60"	9'-6-1/16"



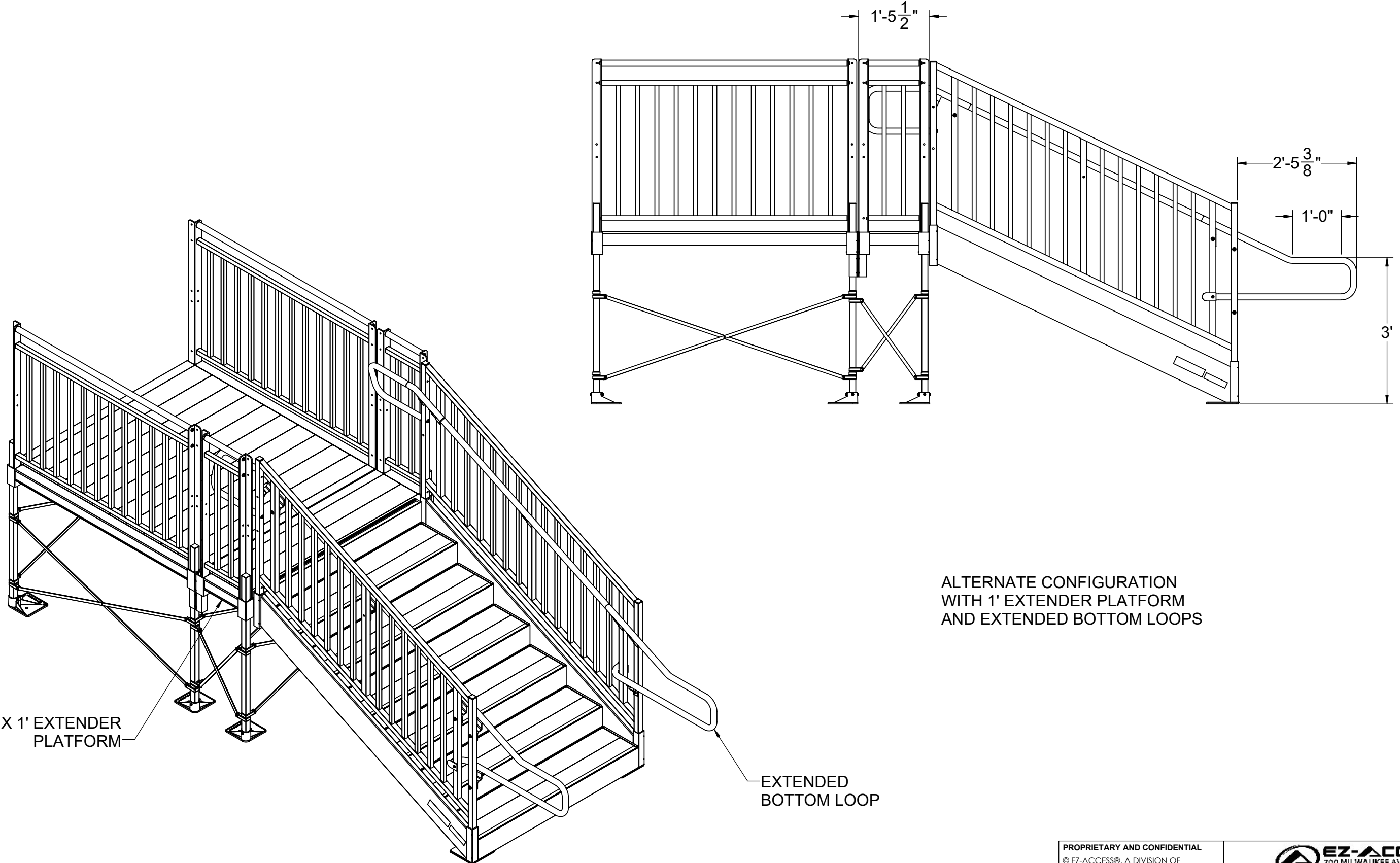
ELEVATION VIEW
PATHWAY HD MODULAR ACCESS
SYSTEM 42" RISE SHOWN
GUARDS REQUIRED AT 30" HEIGHT

PROPRIETARY AND CONFIDENTIAL
 © EZ-ACCESS®, A DIVISION OF
 HOMECARE PRODUCTS, INC. ALL
 RIGHTS RESERVED. ALL TEXT AND
 IMAGES CONTAINED IN THIS
 DOCUMENT ARE PROPRIETARY AND
 MAY NOT BE SHARED, MODIFIED,
 DISTRIBUTED, REPRODUCED, OR REUSED
 WITHOUT THE EXPRESS WRITTEN
 PERMISSION OF EZ-ACCESS.



SIZE D	DWG. NO. PATHWAY HD 6" RISERS	REV B
------------------	---------------------------------------------	-----------------

SCALE: 1:8 | WEIGHT: 371.750 | SHEET 2 OF 2



5' X 1' EXTENDER
PLATFORM

EXTENDED
BOTTOM LOOP

ALTERNATE CONFIGURATION
WITH 1' EXTENDER PLATFORM
AND EXTENDED BOTTOM LOOPS

PROPRIETARY AND CONFIDENTIAL
© EZ-ACCESS®, A DIVISION OF
HOMECARE PRODUCTS, INC. ALL
RIGHTS RESERVED. ALL TEXT AND
IMAGES CONTAINED IN THIS
DOCUMENT ARE PROPRIETARY AND
MAY NOT BE SHARED, MODIFIED,
DISTRIBUTED, REPRODUCED, OR REUSED
WITHOUT THE EXPRESS WRITTEN
PERMISSION OF EZ-ACCESS.



SIZE	DWG. NO.	REV
D	PATHWAY HD 6" RISERS	B

SCALE: 1:12 WEIGHT: 371.75 SHEET 2 OF 6