



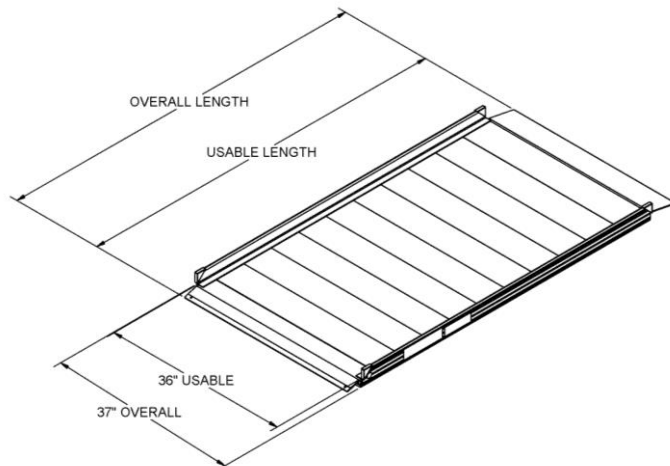
GATEWAY® 3G

Solid Surface Portable Ramp

Technical Specifications

OVERALL

Material	: 6000 Series Aluminum
Slip-resistant Surface	: Extruded or SAFEGUARD Extra Fine Direct Gritting
Weight Capacity	: 1,000 lbs.
Warranty Term	: Lifetime Limited
Use	: Wheelchairs & Scooters



GATEWAY 3G 3-FT RAMP

Model No.	: GATEWAY3G 03
Usable Size (L x W)	: 3' x 36"
Overall Size (L x W x H)	: 3' x 37" x 3.5"
Curb Height	: 2"
Weight*	: 24 lbs.
Usage Guidelines (Rise)**	: Up to 4"

GATEWAY 3G 4-FT RAMP

Model No.	: GATEWAY3G 04
Usable Size (L x W)	: 4' x 36"
Overall Size (L x W x H)	: 4' x 37" x 3.5"
Curb Height	: 2"
Weight*	: 30 lbs.
Usage Guidelines (Rise)**	: Up to 6"

GATEWAY 3G 5-FT RAMP

Model No.	: GATEWAY3G 05
Usable Size (L x W)	: 5' x 36"
Overall Size (L x W x H)	: 5' x 37" x 3.5"
Curb Height	: 2"
Weight*	: 36 lbs.
Usage Guidelines (Rise)**	: Up to 7"

GATEWAY 3G 6-FT RAMP

Model No.	: GATEWAY3G 06
Usable Size (L x W)	: 6' x 36"
Overall Size (L x W x H)	: 6' x 37" x 3.5"
Curb Height	: 2"
Weight*	: 42 lbs.
Usage Guidelines (Rise)**	: Up to 9"

GATEWAY 3G 7-FT RAMP

Model No.	: GATEWAY3G 07
Usable Size (L x W)	: 7' x 36"
Overall Size (L x W x H)	: 7' x 37" x 3.5"
Curb Height	: 2"
Weight*	: 50 lbs.
Usage Guidelines (Rise)**	: Up to 10"

GATEWAY 3G 8-FT RAMP

Model No.	: GATEWAY3G 08
Usable Size (L x W)	: 8' x 36"
Overall Size (L x W x H)	: 8' x 37" x 3.5"
Curb Height	: 2"
Weight*	: 54 lbs.
Usage Guidelines (Rise)**	: Up to 12"

GATEWAY 3G 9-FT RAMP

Model No.	: GATEWAY3G 09
Usable Size (L x W)	: 9' x 36"
Overall Size (L x W x H)	: 9' x 37" x 5.5"
Curb Height	: 4"
Weight*	: 68 lbs.
Usage Guidelines (Rise)**	: Up to 13"

GATEWAY 3G 10-FT RAMP

Model No.	: GATEWAY3G 10
Usable Size (L x W)	: 10' x 36"
Overall Size (L x W x H)	: 10' x 37" x 5.5"
Curb Height	: 4"
Weight*	: 72 lbs.
Usage Guidelines (Rise)**	: Up to 15"

* Weights and dimensions are approximate and subject to change.

** Consult your mobility equipment manufacturer for proper degree of incline; never exceed their recommendations.



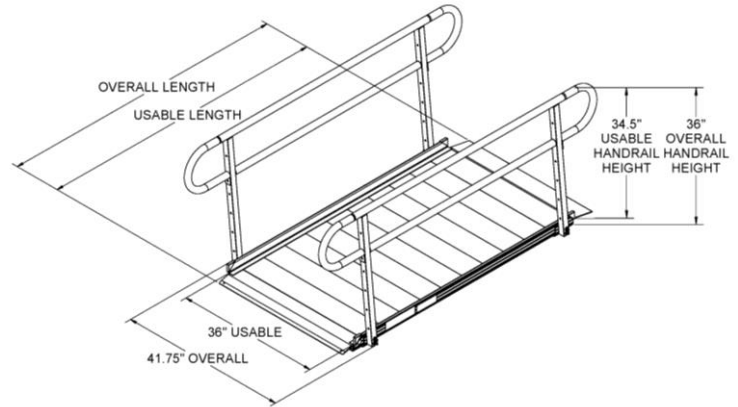
GATEWAY® 3G

Solid Surface Portable Ramp w/Two-line Handrails

Technical Specifications

OVERALL

Loops	: Included
Material	: 6000 Series Aluminum
Slip-resistant Surface	: Extruded or SAFEGUARD Extra Fine Direct Gritting
Handrail Surface	: Mill Finish or Powder Coated
Weight Capacity	: 1,000 lbs.
Warranty Term	: Lifetime Limited
Use	: Wheelchairs & Scooters



GATEWAY 3G 3-FT RAMP W/TWO-LINE HANDRAILS

Model No.	: GATEWAY3G 03TL
Usable Size (L x W x H)	: 3' x 36" x 34.5"
Overall Size (L x W x H)	: 3' x 41.75" x 36"
Curb Height	: 2"
Handrail Length	: 2'
Weight*	: 44 lbs.
Usage Guidelines (Rise)**	: Up to 4"

GATEWAY 3G 4-FT RAMP W/TWO-LINE HANDRAILS

Model No.	: GATEWAY3G 04TL
Usable Size (L x W x H)	: 4' x 36" x 34.5"
Overall Size (L x W x H)	: 4' x 41.75" x 36"
Curb Height	: 2"
Handrail Length	: 3'
Weight*	: 52 lbs.
Usage Guidelines (Rise)**	: Up to 6"

GATEWAY 3G 5-FT RAMP W/TWO-LINE HANDRAILS

Model No.	: GATEWAY3G 05TL
Usable Size (L x W x H)	: 5' x 36" x 34.5"
Overall Size (L x W x H)	: 5' x 41.75" x 36"
Curb Height	: 2"
Handrail Length	: 4'
Weight*	: 60 lbs.
Usage Guidelines (Rise)**	: Up to 7"

GATEWAY 3G 6-FT RAMP W/TWO-LINE HANDRAILS

Model No.	: GATEWAY3G 06TL
Usable Size (L x W x H)	: 6' x 36" x 34.5"
Overall Size (L x W x H)	: 6' x 41.75" x 36"
Curb Height	: 2"
Handrail Length	: 5'
Weight*	: 68 lbs.
Usage Guidelines (Rise)**	: Up to 9"

* Weights and dimensions are approximate and subject to change.

** Consult your mobility equipment manufacturer for proper degree of incline; never exceed their recommendations.

GATEWAY 3G 7-FT RAMP W/TWO-LINE HANDRAILS

Model No.	: GATEWAY3G 07TL
Usable Size (L x W x H)	: 7' x 36" x 34.5"
Overall Size (L x W x H)	: 7' x 41.75" x 36"
Curb Height	: 2"
Handrail Length	: 6'
Weight*	: 74 lbs.
Usage Guidelines (Rise)**	: Up to 10"

GATEWAY 3G 8-FT RAMP W/TWO-LINE HANDRAILS

Model No.	: GATEWAY3G 08TL
Usable Size (L x W x H)	: 8' x 36" x 34.5"
Overall Size (L x W x H)	: 8' x 41.75" x 36"
Curb Height	: 2"
Handrail Length	: 7'
Weight*	: 82 lbs.
Usage Guidelines (Rise)**	: Up to 12"

GATEWAY 3G 9-FT RAMP W/TWO-LINE HANDRAILS

Model No.	: GATEWAY3G 09TL
Usable Size (L x W x H)	: 9' x 36" x 34.5"
Overall Size (L x W x H)	: 9' x 41.75" x 36"
Curb Height	: 4"
Handrail Length	: 8'
Weight*	: 96 lbs.
Usage Guidelines (Rise)**	: Up to 13"

GATEWAY 3G 10-FT RAMP W/TWO-LINE HANDRAILS

Model No.	: GATEWAY3G 10TL
Usable Size (L x W x H)	: 10' x 36" x 34.5"
Overall Size (L x W x H)	: 10' x 41.75" x 36"
Curb Height	: 4"
Handrail Length	: 9'
Weight*	: 106 lbs.
Usage Guidelines (Rise)**	: Up to 15"



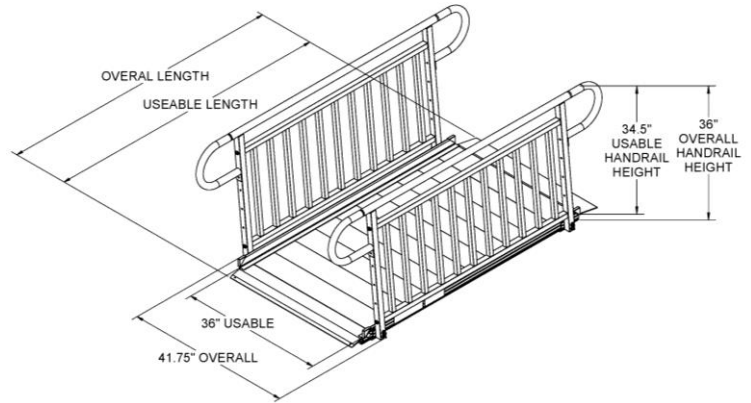
GATEWAY® 3G

Solid Surface Portable Ramp w/Vertical Pickets

Technical Specifications

OVERALL

Loops	: Included
Material	: 6000 Series Aluminum
Slip-resistant Surface	: Extruded or SAFEGUARD Extra Fine Direct Gritting
Handrail Surface	: Mill Finish or Powder Coated
Weight Capacity	: 1,000 lbs.
Warranty Term	: Lifetime Limited
Use	: Wheelchairs & Scooters



GATEWAY 3G 3-FT RAMP W/VERTICAL PICKETS

Model No.	: GATEWAY3G 03VP
Usable Size (L x W x H)	: 3' x 36" x 34.5"
Overall Size (L x W x H)	: 3' x 41.75" x 36"
Curb Height	: 2"
Handrail Length	: 2'
Weight*	: 46 lbs.
Usage Guidelines (Rise)**	: Up to 4"

GATEWAY 3G 4-FT RAMP W/VERTICAL PICKETS

Model No.	: GATEWAY3G 04VP
Usable Size (L x W x H)	: 4' x 36" x 34.5"
Overall Size (L x W x H)	: 4' x 41.75" x 36"
Curb Height	: 2"
Handrail Length	: 3'
Weight*	: 58 lbs.
Usage Guidelines (Rise)**	: Up to 6"

GATEWAY 3G 5-FT RAMP W/VERTICAL PICKETS

Model No.	: GATEWAY3G 05VP
Usable Size (L x W x H)	: 5' x 36" x 34.5"
Overall Size (L x W x H)	: 5' x 41.75" x 36"
Curb Height	: 2"
Handrail Length	: 4'
Weight*	: 68 lbs.
Usage Guidelines (Rise)**	: Up to 7"

GATEWAY 3G 6-FT RAMP W/VERTICAL PICKETS

Model No.	: GATEWAY3G 06VP
Usable Size (L x W x H)	: 6' x 36" x 34.5"
Overall Size (L x W x H)	: 6' x 41.75" x 36"
Curb Height	: 2"
Handrail Length	: 5'
Weight*	: 78 lbs.
Usage Guidelines (Rise)**	: Up to 9"

GATEWAY 3G 7-FT RAMP W/VERTICAL PICKETS

Model No.	: GATEWAY3G 07VP
Usable Size (L x W x H)	: 7' x 36" x 34.5"
Overall Size (L x W x H)	: 7' x 41.75" x 36"
Curb Height	: 2"
Handrail Length	: 6'
Weight*	: 90 lbs.
Usage Guidelines (Rise)**	: Up to 10"

GATEWAY 3G 8-FT RAMP W/VERTICAL PICKETS

Model No.	: GATEWAY3G 08VP
Usable Size (L x W x H)	: 8' x 36" x 34.5"
Overall Size (L x W x H)	: 8' x 41.75" x 36"
Curb Height	: 2"
Handrail Length	: 7'
Weight*	: 98 lbs.
Usage Guidelines (Rise)**	: Up to 12"

GATEWAY 3G 9-FT RAMP W/VERTICAL PICKETS

Model No.	: GATEWAY3G 09VP
Usable Size (L x W x H)	: 9' x 36" x 34.5"
Overall Size (L x W x H)	: 9' x 41.75" x 36"
Curb Height	: 4"
Handrail Length	: 8'
Weight*	: 118 lbs.
Usage Guidelines (Rise)**	: Up to 13"

GATEWAY 3G 10-FT RAMP W/VERTICAL PICKETS

Model No.	: GATEWAY3G 10VP
Usable Size (L x W x H)	: 10' x 36" x 34.5"
Overall Size (L x W x H)	: 10' x 41.75" x 36"
Curb Height	: 4"
Handrail Length	: 9'
Weight*	: 128 lbs.
Usage Guidelines (Rise)**	: Up to 15"

* Weights and dimensions are approximate and subject to change.

** Consult your mobility equipment manufacturer for proper degree of incline; never exceed their recommendations.