



# RAILWAY™ Modular Handrail System

## Technical Specifications

MODEL	KIT 1 (RAILWAY POST KIT)	KIT 2 (RAILWAY POST WITH 5' HANDRAIL AND BARRIER KIT)	KIT 3 (RAILWAY 5' STAIR HANDRAIL KIT)
UNINSTALLED PRODUCT DIMENSIONS	□5" X 36-3/8"	□5" X 60-1/2"	□5" X 60-1/2"
PRODUCT WEIGHT	3.2 lbs.	12.17 lbs.	9.3 lbs.
SHIPPING DIMENSIONS	□5-1/2" X 40 1/2"	□5-1/2" X 64 1/2"	□5-1/2" X 64 1/2"
SHIPPING WEIGHT	5.5 lbs.	15.74 lbs.	13.1 lbs.
RATED LOAD (DO NOT EXCEED)	200 lbs.		
6000 SERIES ALUMINUM	✓	✓	✓
FIELD TRIMMABLE HANDRAILS	✗	60" STANDARD	
CONCRETE ANCHOR (NOT INCLUDED) DIAMETER	7/16"		
WARRANTY	Lifetime Limited	Lifetime Limited	Lifetime Limited

**TABLE 1**

### EZ-ACCESS® RAILWAY Components View

DESCRIPTION	POST	POST BASE
<ul style="list-style-type: none"> <li>POST BASE Wt.: 1.38 lbs.</li> <li>POST Wt.: 1.87 lbs.</li> <li>POST PLUG Wt.: 0.4 oz.</li> </ul>		
		<h4>POST PLUG</h4>

DESCRIPTION	ROUND HANDRAIL TUBE
<ul style="list-style-type: none"> <li>ROUND HANDRAIL TUBE Wt.: 2.20 lbs.</li> <li>SQUARE BARRIER Wt.: 3.08 lbs.</li> </ul>	
	<h4>SQUARE BARRIER</h4>

3-YEAR WARRANTY. Please register at [www.ezaccess.com/warranty-satisfaction](http://www.ezaccess.com/warranty-satisfaction).  
 © EZ-ACCESS®, a division of Homecare Products, Inc. All rights reserved.  
 All text and images contained in this document are proprietary and may not be shared, modified, distributed, reproduced, or reused without the express written permission of EZ-ACCESS.



Manufactured in the USA

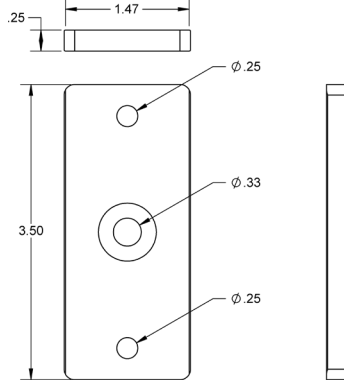
21235 REV 02-27-2024



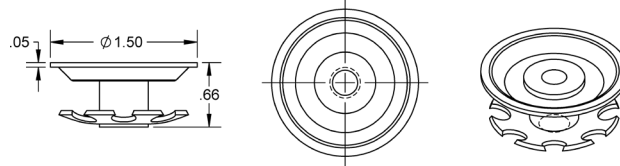
**DESCRIPTION**

- ATTACHMENT PLATE  
Wt.: 2 oz.
- THREADED TUBE INSERT (ROUND) 5/16"-18  
Wt.: 1 oz.
- THREADED TUBE INSERT (SQUARE) 5/16"-18  
Wt.: 1 oz.
- SCREW 5/16"-18 x 1"  
Wt.: 0.5 oz.
- FLAT HEAD SOCKET CAP SCREW 1/4"-14 x 1"  
Wt.: 0.5 oz.
- FLAT HEAD SOCKET CAP SCREW 1/4"-14 x 3/4"  
Wt.: 0.5 oz.
- SCREW 1/4"-14 X 1" SELF-DRILLING, SELF-TAPPING HEX WASHER HEAD  
Wt.: 0.3 oz.
- SCREW #8-18 X 3/4" SELF-DRILLING, SELF-TAPPING PAN HEAD PHILLIPS  
Wt.: 0.2 oz.
- ADJUSTABLE CLOSURE ELBOW  
Wt.: 3.4 oz.
- RAILWAY™ WARNING LABEL
- INSTRUCTION MANUAL

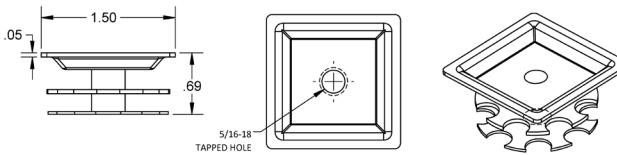
**ATTACHMENT PLATE**



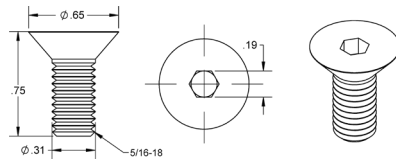
**THREADED TUBE INSERT (ROUND) 5/16"-18**



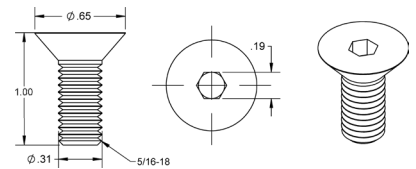
**THREADED TUBE INSERT (SQUARE) 5/16"-18**



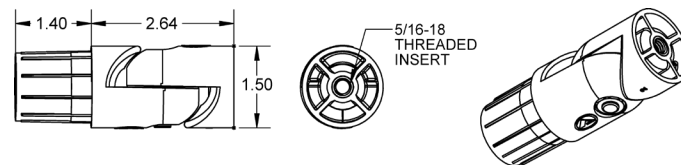
**SCREW 5/16"-18 x 1" AND 5/16"-18 x 3/4" FLAT HEAD SOCKET CAP 5/16"-18 x 1" (USED ON HANDRAILS)**



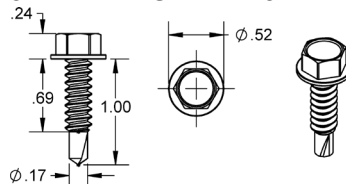
**5/16"-18 x 3/4" (USED ON ELBOWS)**



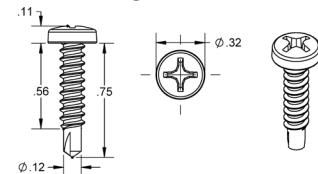
**ADJUSTABLE CLOSURE ELBOW**



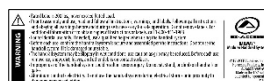
**SCREW 1/4"-14 x 1" SELF-DRILLING SELF-TAPPING HEX WASHER HEAD**



**SCREW #8-18 X 3/4" SELF-DRILLING SELF-TAPPING PAN HEAD PHILLIPS**



**RAILWAY™ WARNING LABEL 4.75" x 1.4"**

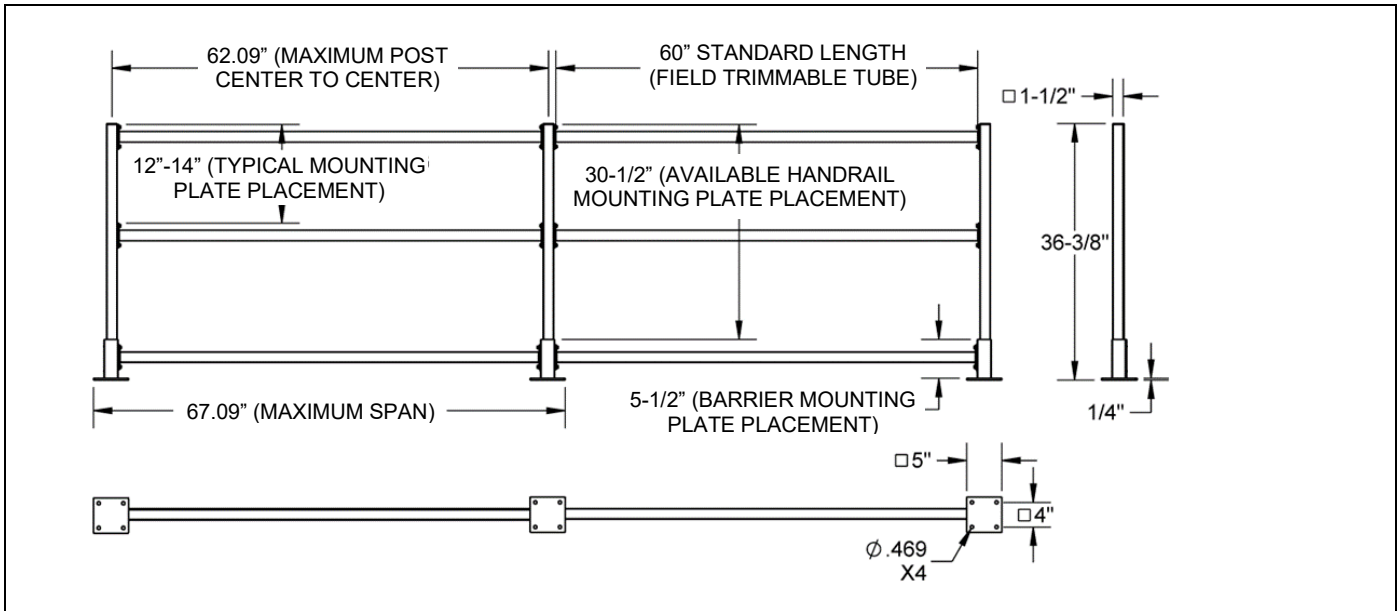


**INSTRUCTION MANUAL 8.5" x 11"**



# TYPICAL DIMENSIONAL DATA:

## STRAIGHT RUN



## STAIR RUN

