

***Power*BANK**

6,000mAh POWERSPORTS BANK

PB-6.0

USER GUIDE

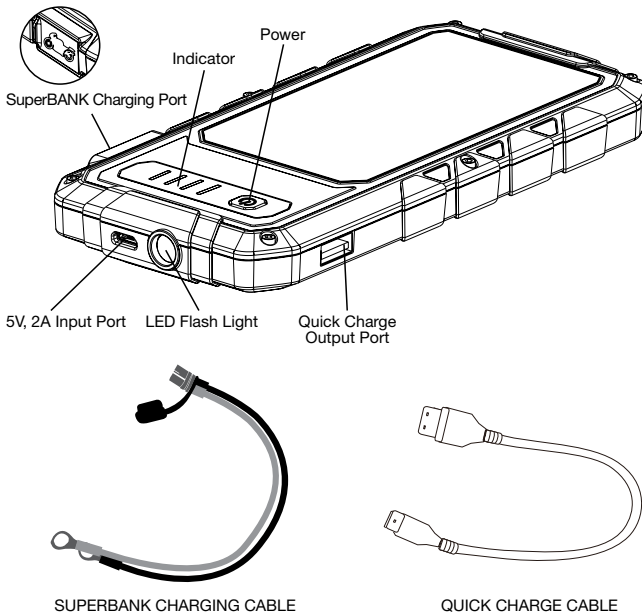


800.4XSPOWER | XSPOWERBATTERIES.COM

INTRODUCTION

Thank you for purchasing this XS Power Batteries PB-6.0 Powersports Bank! Always follow basic safety precautions when using electrical equipment. Read the entire instructions manual carefully. Please keep this instruction manual for easy reference.

PRODUCT OVERVIEW



OPERATING GUIDELINES

INDICATORS LIGHTS

Press the switch to check power storage level of the PB-6.0 POWERSPORTS BANK.

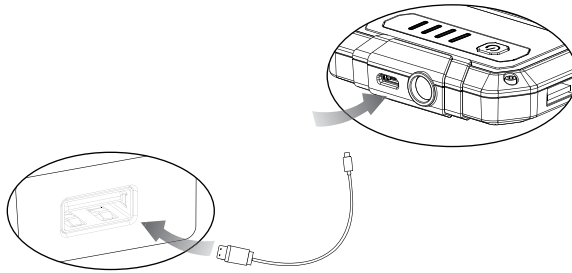
Indicator	Unlit	1 solid	2 solid	3 solid	4 solid
Storage Level	0%	25%	50%	75%	100%

The indicator will flash one by one during the period of charging. Different number of solid indicators show different storage level of PB-6.0. All indicators light off when the charging is paused or complete.

OPERATING GUIDELINES(cont)

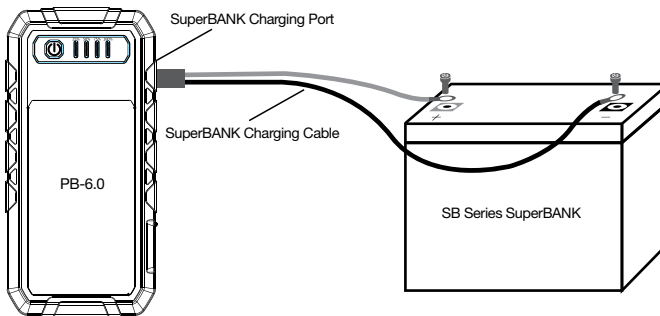
PB-6.0 CHARGING INSTRUCTIONS

- 1- Plug the charging cable into any working USB output ports.
- 2- Connect the Micro USB to the 5V, 2A input port.



VEHICLE JUMP STARTING INSTRUCTIONS

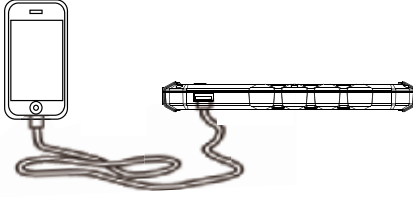
- 1- Permanently attach the SuperBANK Charging Cable to your SB Series SuperBANK or your Powersports battery routing the cable so the weatherproof plug is accessible to connect to your PowerBANK.
- 2- When starting assistance is needed, plug the blue plug into the PowerBANK and press the power button.
- 3- Start engine within 30 seconds.
- 4- When the vehicle is started, remove the plug from the PowerBANK.
- 5- Leave the vehicle running to recharge the battery or SuperBANK.



OPERATING GUIDELINES(cont)

CHARGING MOBILE DEVICE INSTRUCTIONS

- 1- Plug the "Quick Charge Cable" into the "Quick Charge Output Port".
- 2- Select the appropriate adapter and connect it to your mobile device.
- 3- Select the power button and the PB-6.0 will automatically recognize the device's suitable charging parameters and start charging.



LED FLASHLIGHT

- 1- Press and hold the power button for three seconds to turn on the flashlight.
- 2- Press the power button once to turn off.

PARTS LIST

#	Part List	Quantity
1	PB-6.0 Device	1
2	SuperBANK Charging Cable	1
3	Quick Charge Cable	1
4	User Guide	1

TECHNICAL SPECIFICATIONS

Dimensions: 170 x 81 x 17mm
Weight: 0.55lbs
Battery Capacity: 6000mAh(22.2Wh)
Output: Quick Charge(5V \rightarrow 2.4A / 9V \rightarrow 2A); 12V Jump Start
Input: 5V \rightarrow 2A
Full Charging Time: Approximately 2 hours
Start Current: 150A
Peak Current: 300A
Operating Temperature: -4°F~140°F/-20°C~60°C

FAQ

Q. How to turn off the PB-6.0 device?

A. This appliance will power off automatically when under no load or charging is complete.

Q. How long does it take to completely charge the PB-6.0 device?

A. Approximately 2 hours using the 5V, 2A input port.

Q. How many times can a PB-6.0 charge my mobile device?

A. Depending on the battery capacity of your device, roughly 2.5 times.

Q. How many times can a PB-6.0 jump start a vehicle if it is fully charged?

A. Approximately 10 times.

Q. What is the lifetime of a PB-6.0?

A. Usually 3-5 years under normal conditions.

Q. How long will a charge last?

A. Under normal conditions, 6-12 months, however we suggest recharging every 3 months.

TROUBLESHOOTING

Findings	Cause	Solution
No response when pressing the power button.	Low voltage protection of the PB-6.0 is enabled.	Plug the adaptor into the 5V 2A input port to activate.

TOXIC & HARMFUL SUBSTANCES

Composition and amount of toxic and harmful substances in PB-6.0 devices.					
Pb	Hg	Cd	Cr(VI)	PBB	PBDE
0	0	0	0	0	0
0: Indicates all hazardous substances that are below the MCV limit specified in Standard 2002/95/EC (RoHs).					

WARNING

- 1- Read the entire instruction manual carefully before using this device.
- 2- Always use caution using this device and keep out of reach of children.
- 3- This PB-6.0 device is designed for 12V vehicles only. Do not attempt to use on vehicles of any other voltage settings(14V, 16V, etc).
- 4- DO NOT jump start more than 3 times in a row to avoid damage.
- 5- DO NOT connect the two clamps together.
- 6- DO NOT use this device to attempt to jump start aircrafts, watercrafts, ect.
- 7- DO NOT use this device if any of the cables, clamps or cords are damaged.
- 8- DO NOT use as a vehicle battery.
- 9- DO NOT use as a battery charger.
- 10- DO NOT leave this device attached to the vehicle battery after jump starting and remove this device with from vehicle battery within 30 seconds to avoid damage.
- 11- DO NOT expose this device to extreme heat or fire.
- 12- DO NOT store this device in temperatures exceeding 158°F or 70°C.
- 13- DO NOT allow this device to get wet or submerged in water.
- 14- DO NOT operate in the presents of flammable liquids, gases or dust.
- 15- DO NOT modify or disassemble this device.
- 16- DO NOT use this device if it is leaking or otherwise damaged.
- 17- DO NOT use this device to jump start a vehicle while charging this device.
- 18- Only use the Jumper Start Cable provided with this device.
- 19- Be sure that the BLUE plug of the jumper cables is securely and completey plugged into the Jump Start Port. Failure to do so will result in the melting connections and other possible damage.
- 20- Make sure that connections are clean and well connected before jump starting.
- 21- Only use the Quick Charge Cable provided with this unit.
- 22- Only charge this device in ambient temperatures between 32°F-140°F or 0°C-60°C.
- 23- Remove jewelery and other metal items such as rings, bracelets, necklaces, etc.
- 24- If leakage occurs, do not handle this unit with bare hands. In case of skin contact, wash with soap and wash immediately. If the liquid comes in contact with your eyes, rinse for at least 10 minutes and seek medical attention.
- 25- This product contains a lithium based battery, dispose of this device according to local regulations.

WARRANTY INFORMATION

XS Power Batteries offers a limited warranty of this product against any defects in material and craftsmanship for a period of 6 months from the date of purchase by the end user. The conditions of the warranty are as follows.

The warranty is only valid upon presentation of the original receipt (from dealer/retailer) by the original purchaser with the product to be repaired or replaced.

The warranty is void if the serial number, date of purchase or label has been removed.

The warranty does not cover damage or product failure resulting from normal wear, physical abuse, improper installation, misuse, modifications or repair by unauthorized third parties.

We do not assume responsibility for loss or damage incurred during shipping or as a result of a force majeure.

We are not liable for any incidental or consequential damages arising from the use or misuse of this product.

All warranty claims are limited to repair or replacement of the defective product and at the sole discretion of XS Power Batteries.

If the product is repaired or replaced, the product will be covered for the remaining time of the original warranty period. Repair or replacement may involve the use of reconditioned units which are equivalent in function. Replaced parts or products become the property of XS Power Batteries.

Consumable components such as batteries are not covered by the warranty.



Overcharge and
Overdischarge Protection



Fuse Protection



Against-reverse Plug

Applied Standard: GB/T1 8287-2000

