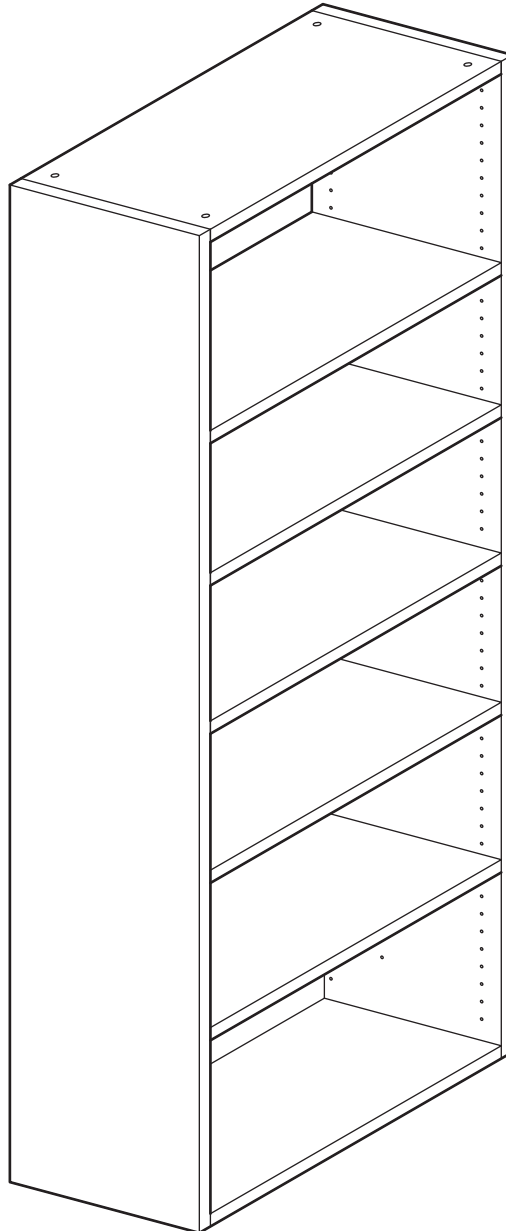




**MODULAR  
CLOSETS**

1-844-969-4247 support@modularclosets.com

# **SHELF TOWER UNIT**



## **ASSEMBLY AND INSTALLATION INSTRUCTIONS**

# ASSEMBLY AND INSTALLATION INSTRUCTIONS SHELF TOWER UNIT

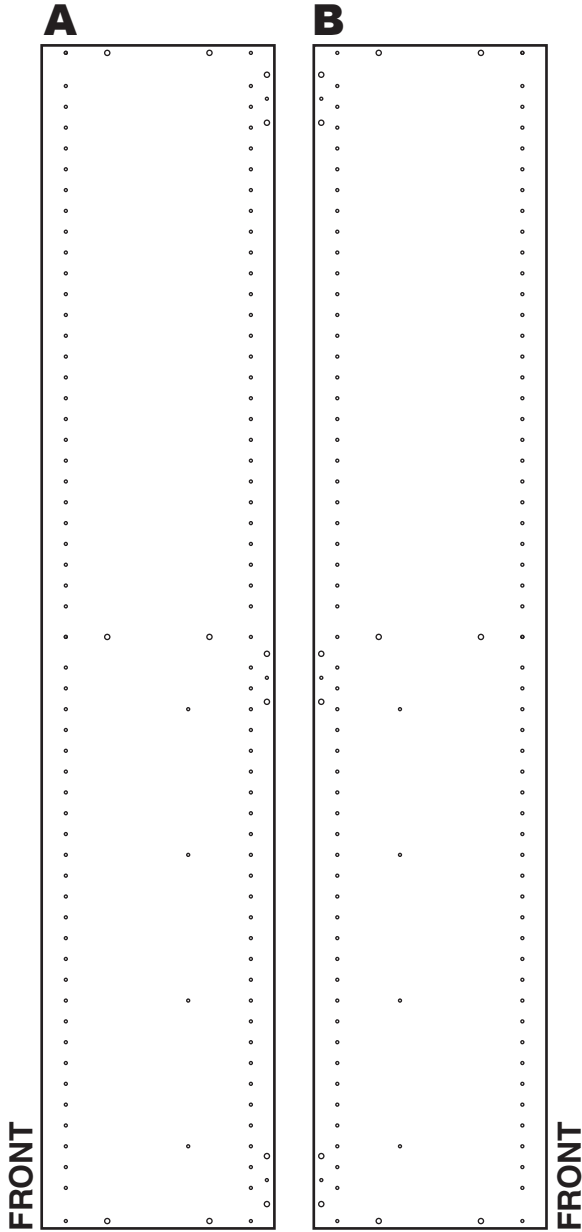


## MODULAR CLOSETS

# 1A

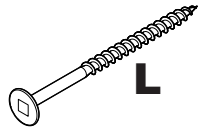
## PARTS LIST

### BOX 1



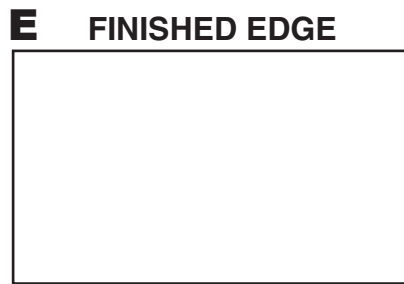
- A** Left Side Panel (Qty 1)
- B** Right Side Panel (Qty 1)

### BOX 2



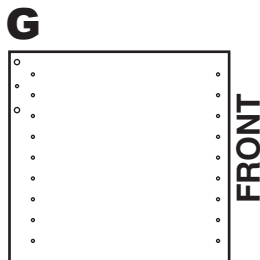
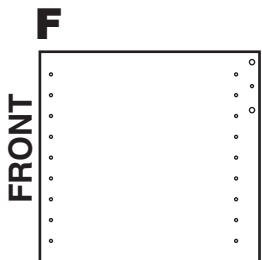
- C** Rear Hanging Cleat (Qty 3)
- D** Set Shelf (Qty 3)
- H** Cam Post (Qty 18)
- I** Camlock (Qty 18)
- L** Screw, Square Drive, 2.5" (Qty 6)

### BOX 3



- E** Adjustable Shelf (Qty 2 or 4)
- J** Shelf Pins (Qty 8 or 16)

### BOX 4 - Leg Extension Kit (Optional)



- C** Rear Hanging Cleat (Qty 1)
- F** Left Leg Extension (Qty 1)
- G** Right Leg Extension (Qty 1)
- H** Cam Post (Qty 2)
- I** Camlock (Qty 2)
- K** Wood Dowels (Qty 4)

# ASSEMBLY AND INSTALLATION INSTRUCTIONS SHELF TOWER UNIT



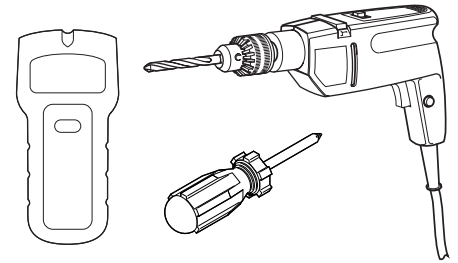
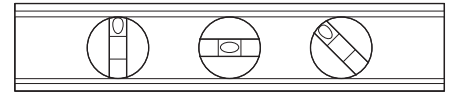
## MODULAR CLOSETS

### 1B

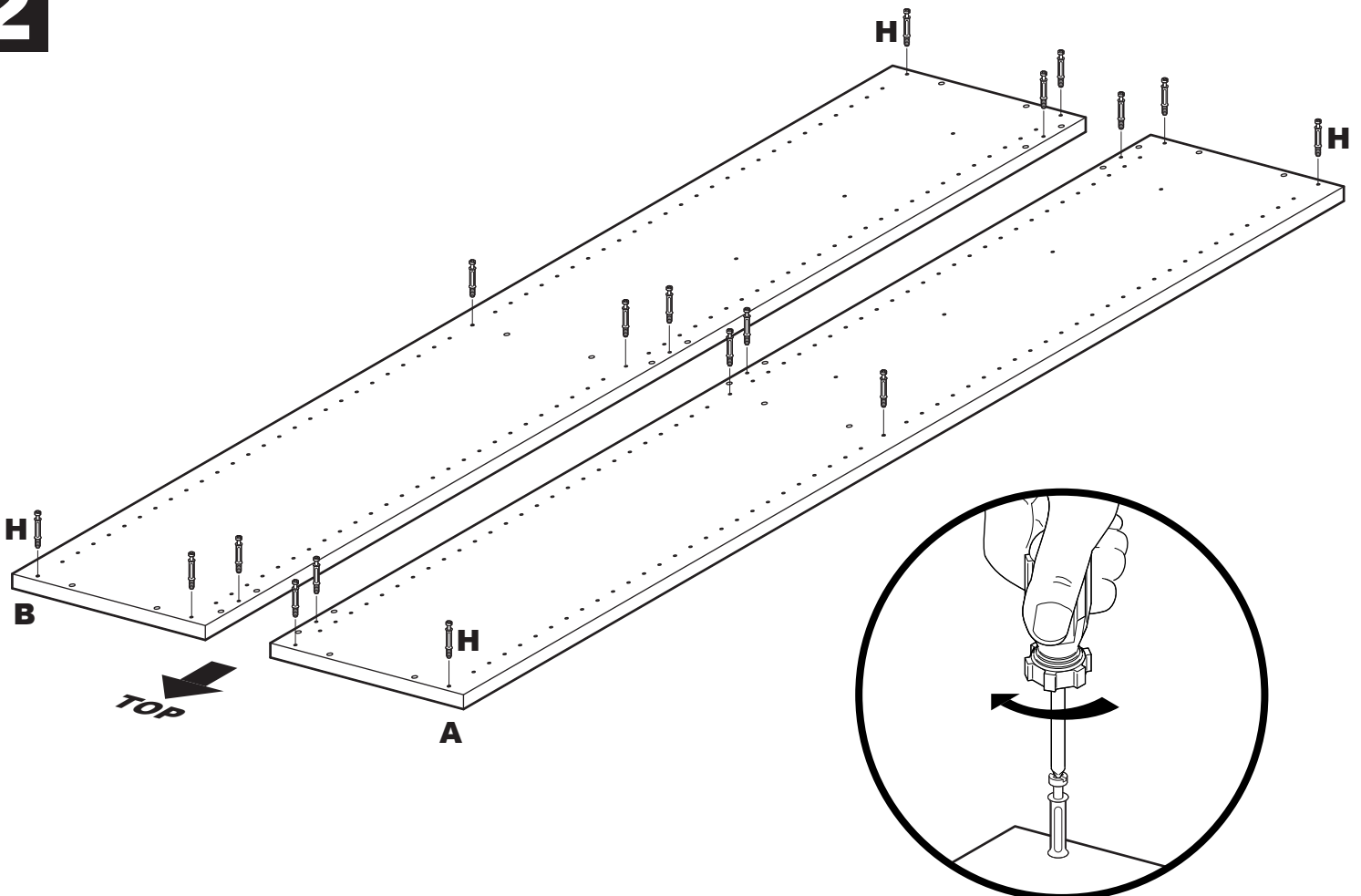
- 1.1** Lay parts out on a protective surface to prevent damage.  
*Tip: Spread out the cardboard packaging to use as a protective surface.*
- 1.2** Inventory parts against the Parts List. Make sure all parts are present before proceeding.

### TOOLS REQUIRED (not included unless noted)

Level                      Drill, 3/32" bit size  
Stud Finder              Phillips Screwdriver  
Drill Bit, Square, #2



### 2



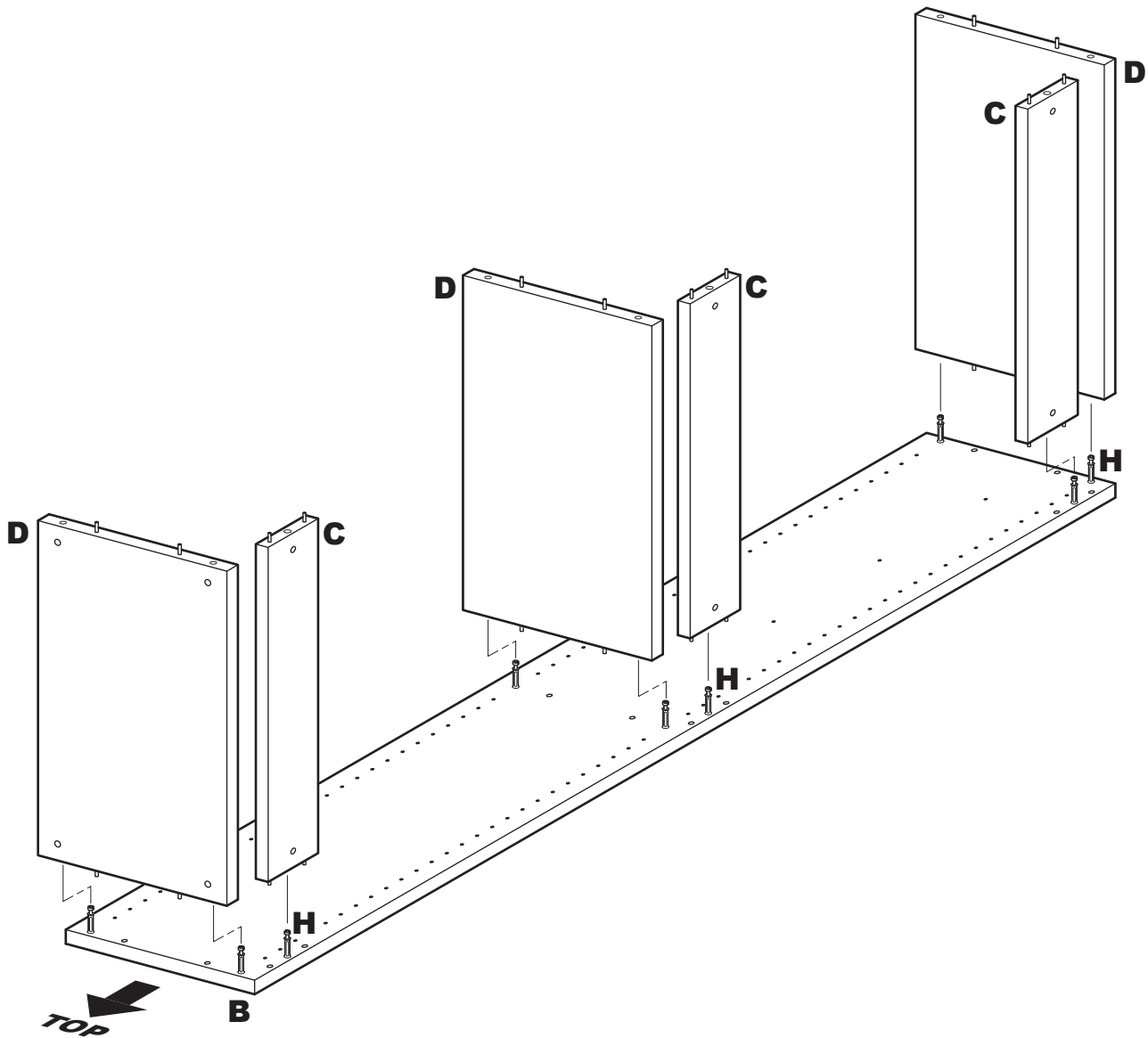
- 2.1** Install one Cam Post (H) into each of the nine holes on Left Side Panel (A) and Right Side Panel (B). Tighten until Cam Posts are seated against Side Panels.

# ASSEMBLY AND INSTALLATION INSTRUCTIONS SHELF TOWER UNIT



## MODULAR CLOSETS

### 3



- 3.1** Assemble Set Shelves (D) and Rear Hanging Cleats (C) onto Right Side Panel (B) by sliding the Shelves and Cleats onto the Cam Posts (H) on Side Panel. BE SURE wood dowels in Shelves and Cleats engage drilled holes in Side Panel, and all parts are pressed flush against Side Panel.

#### IMPORTANT NOTES

Install Set Shelves (D) with finished edges facing forward (toward front of unit).

Install Rear Hanging Cleats (C) with holes for Cam Locks facing the rear of the unit and the unfinished edge against the Set Shelf (D).

Install upper Set Shelf (D) with holes for Cam Locks facing the top of the unit.

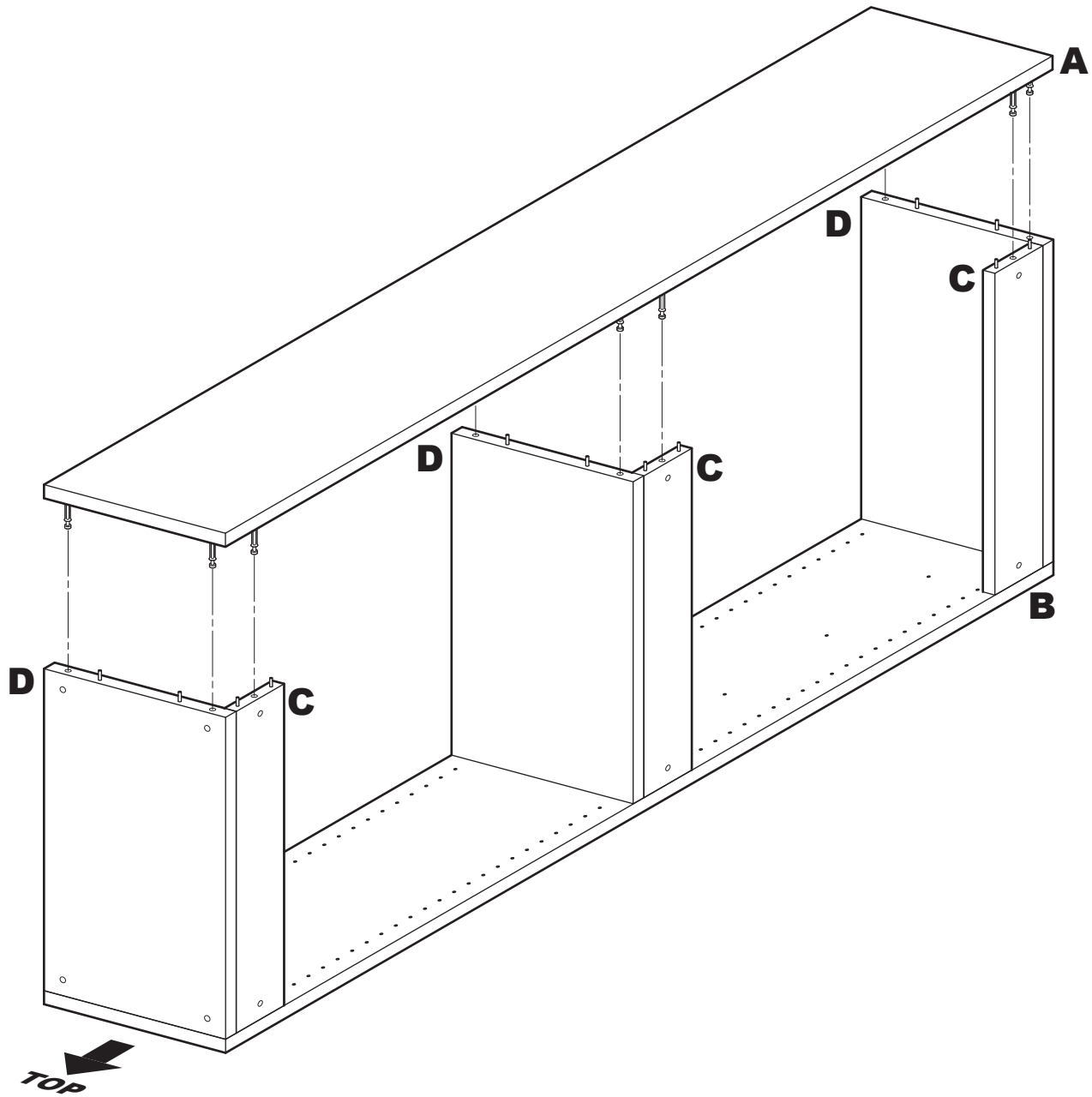
Install middle and lower Set Shelves (D) with holes for Cam Locks facing the bottom of the unit.

# ASSEMBLY AND INSTALLATION INSTRUCTIONS SHELF TOWER UNIT



## MODULAR CLOSETS

# 4



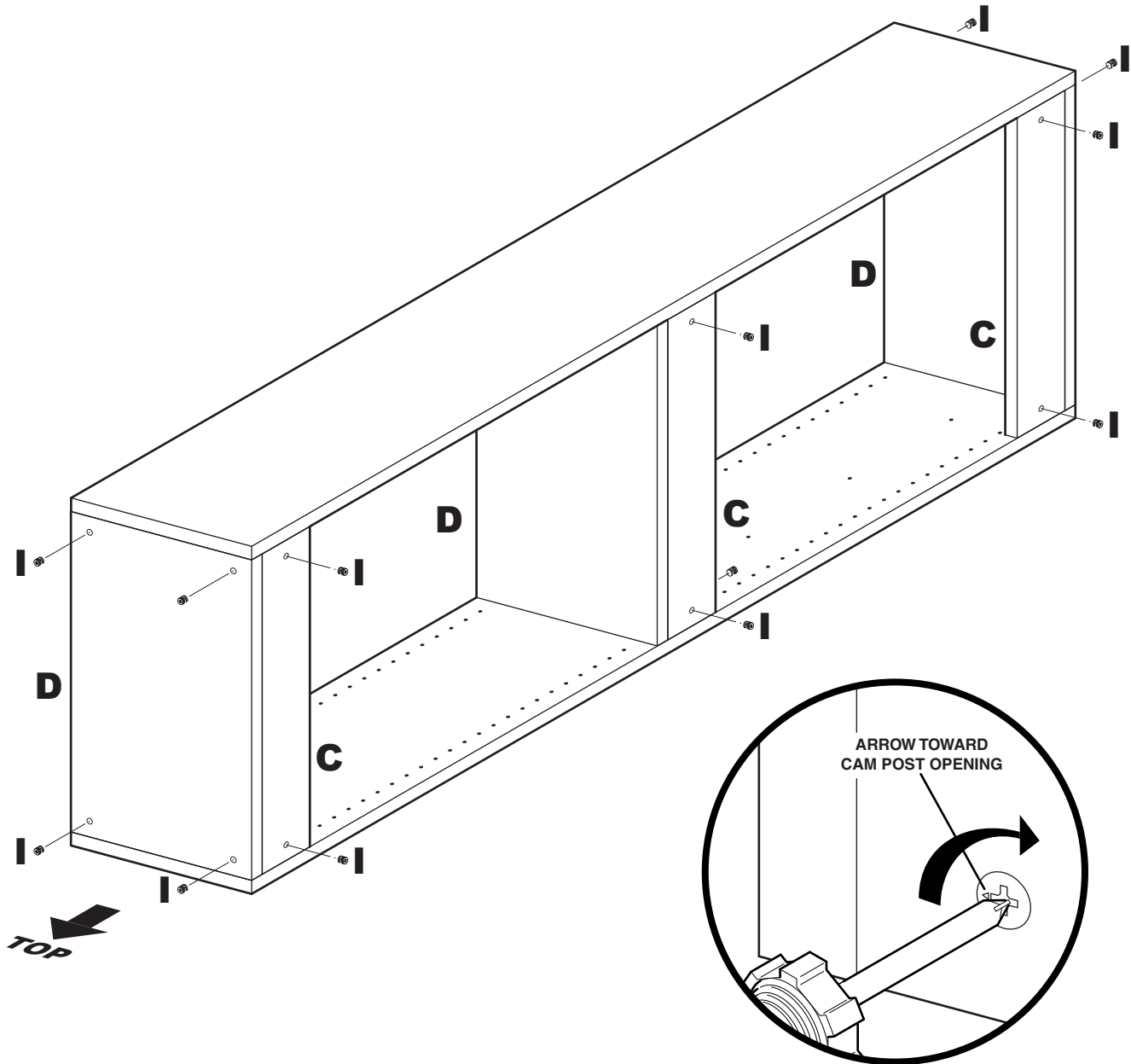
- 4.1** Install Left Side Panel (A) onto assembled Set Shelves (D) and Rear Hanging Cleats (C). BE SURE Wood Dowels in Shelves and Cleats engage drilled holes in Side Panel, and Side Panel is pressed flush against Set Shelves and Cleats.

# ASSEMBLY AND INSTALLATION INSTRUCTIONS SHELF TOWER UNIT



## MODULAR CLOSETS

# 5



- 5.1** Insert Camlocks (I) in holes in Set Shelves (D) and Rear Hanging Cleats (C), with arrow pointing toward Cam Post opening. Be sure Camlocks engage Cam Posts, and are fully seated in Shelves and Cleats.
- 5.2** Tighten Camlocks (I) clockwise to lock.

# ASSEMBLY AND INSTALLATION INSTRUCTIONS SHELF TOWER UNIT

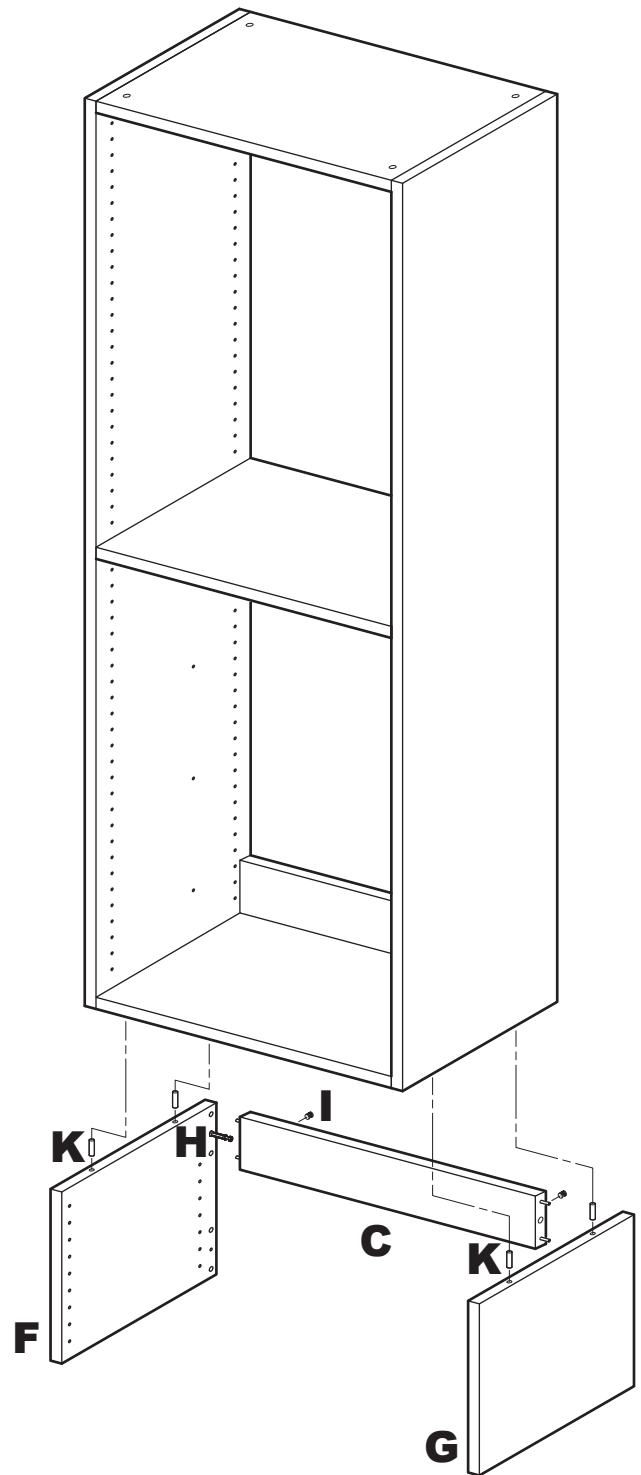
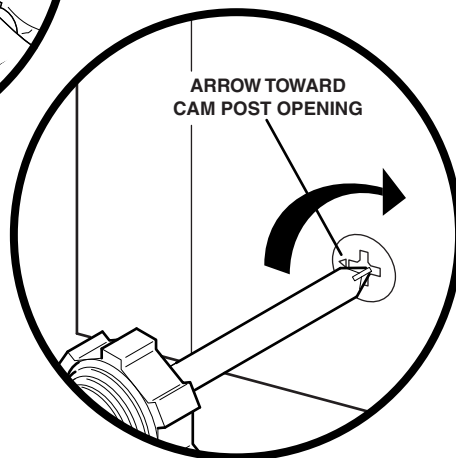
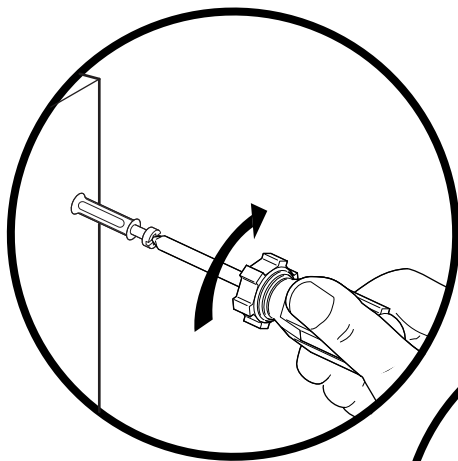


MODULAR  
CLOSETS

6

## FOR LEG EXTENSION KIT INSTALLATIONS ONLY Leg Extension Kit purchased separately)

- 6.1** Insert four Wood Dowels (K) into holes in edges of Left Leg Extension (F) and Right Leg Extension (G).
- 6.2** Install one Cam Post (H) each into Left Leg Extension (F) and Right Leg Extension (G). Tighten until Cam Posts are seated against Leg Extensions.
- 6.3** Assemble Left Leg Extension (F) and Right Leg Extension (G) onto Rear Hanging Cleat (C) by sliding the Cam Posts (H) into Cleat. BE SURE wood dowels in Cleat engage drilled holes in Leg Extensions, and all parts are pressed flush against each other.
- 6.4** Insert Camlocks (I) in holes in Rear Hanging Cleat (C), with arrow pointing toward Cam Post opening. BE SURE Camlocks engage Cam Posts, and are fully seated in Cleat. Tighten Camlocks (I) clockwise to lock.
- 6.5** Align Wood Dowels (K) in assembled Leg Extensions with holes in Shelf Tower, and press Tower and Leg Extensions together.

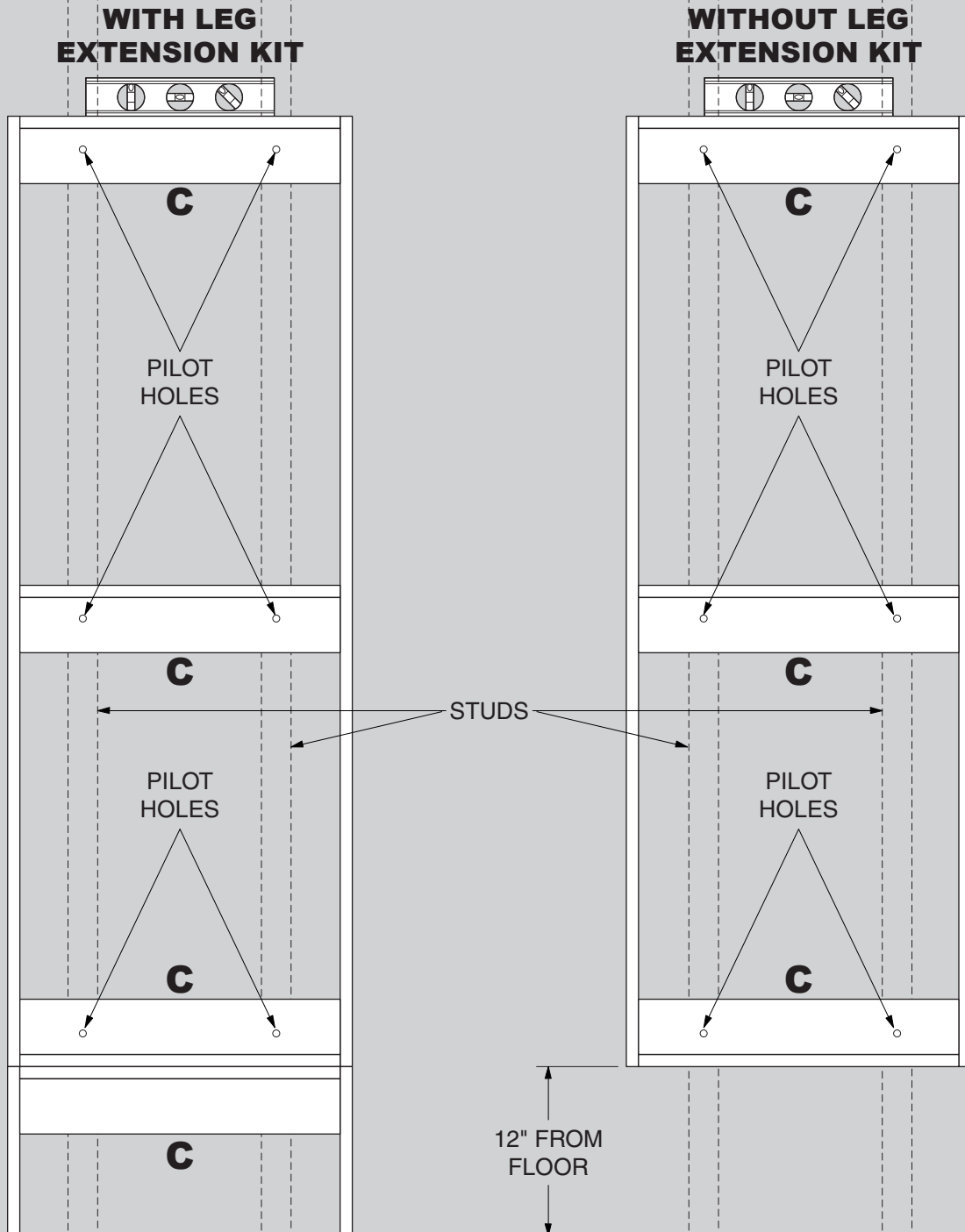


# ASSEMBLY AND INSTALLATION INSTRUCTIONS

## SHELF TOWER UNIT



# 7



## INSTALLATION

- 7.1** Determine the mounting location for the unit. The unit can be installed with or without the optional Leg Extension Kit (purchased separately) as shown in step 6.
- 7.2** Using a stud finder, locate studs to which the unit will be secured. Mark stud locations with a pencil.
- 7.3** With the unit positioned at the desired location, level the unit, then drill pilot holes through Rear Hanging Cleats (C),

**NOTE:** For 18" and 24" units, it is likely that only one stud will pass through the unit. In these cases, use two screws through each Rear Hanging Cleat.



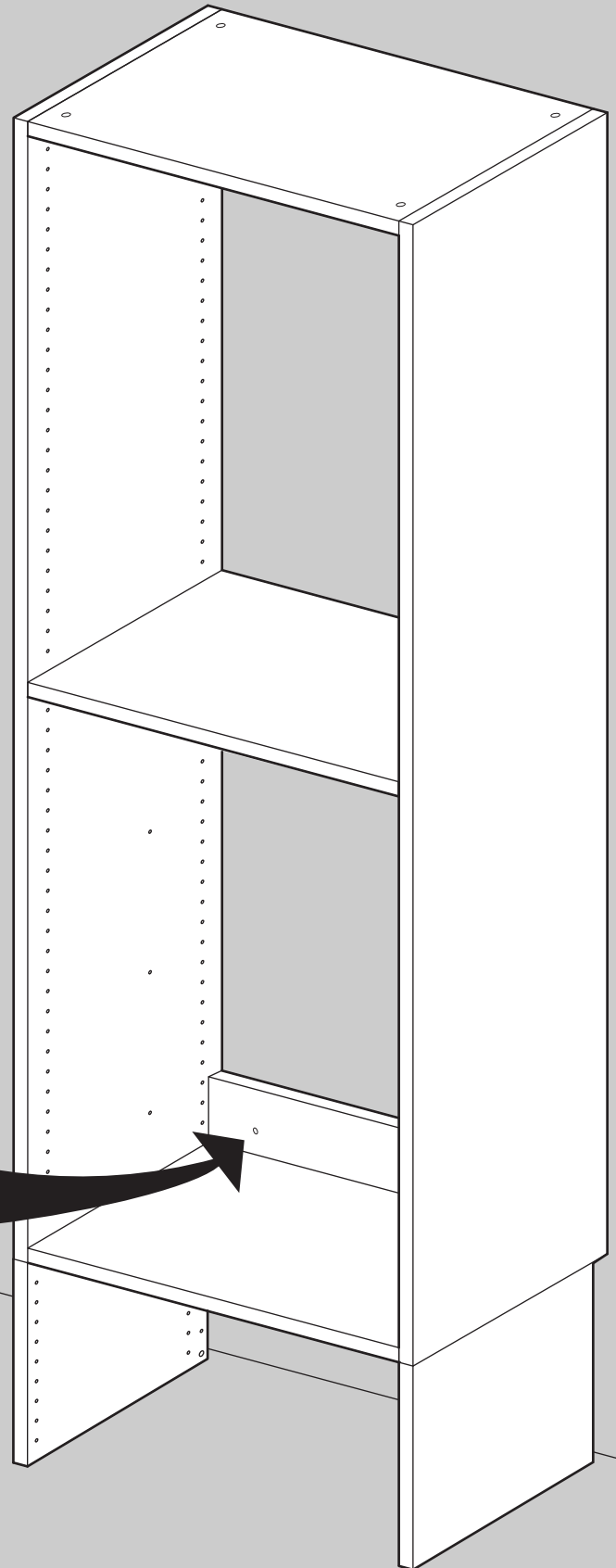
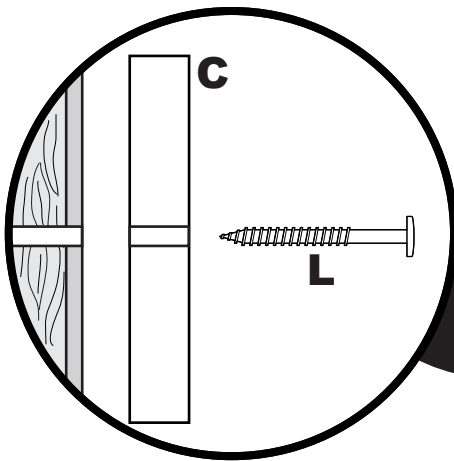
# ASSEMBLY AND INSTALLATION INSTRUCTIONS SHELF TOWER UNIT



## MODULAR CLOSETS

# 8

- 8.1** Secure Rear Hanging Cleats (C) to studs using 2.5" Screws (L). Tighten Screws using Square Drill Bit (provided) and Drill.



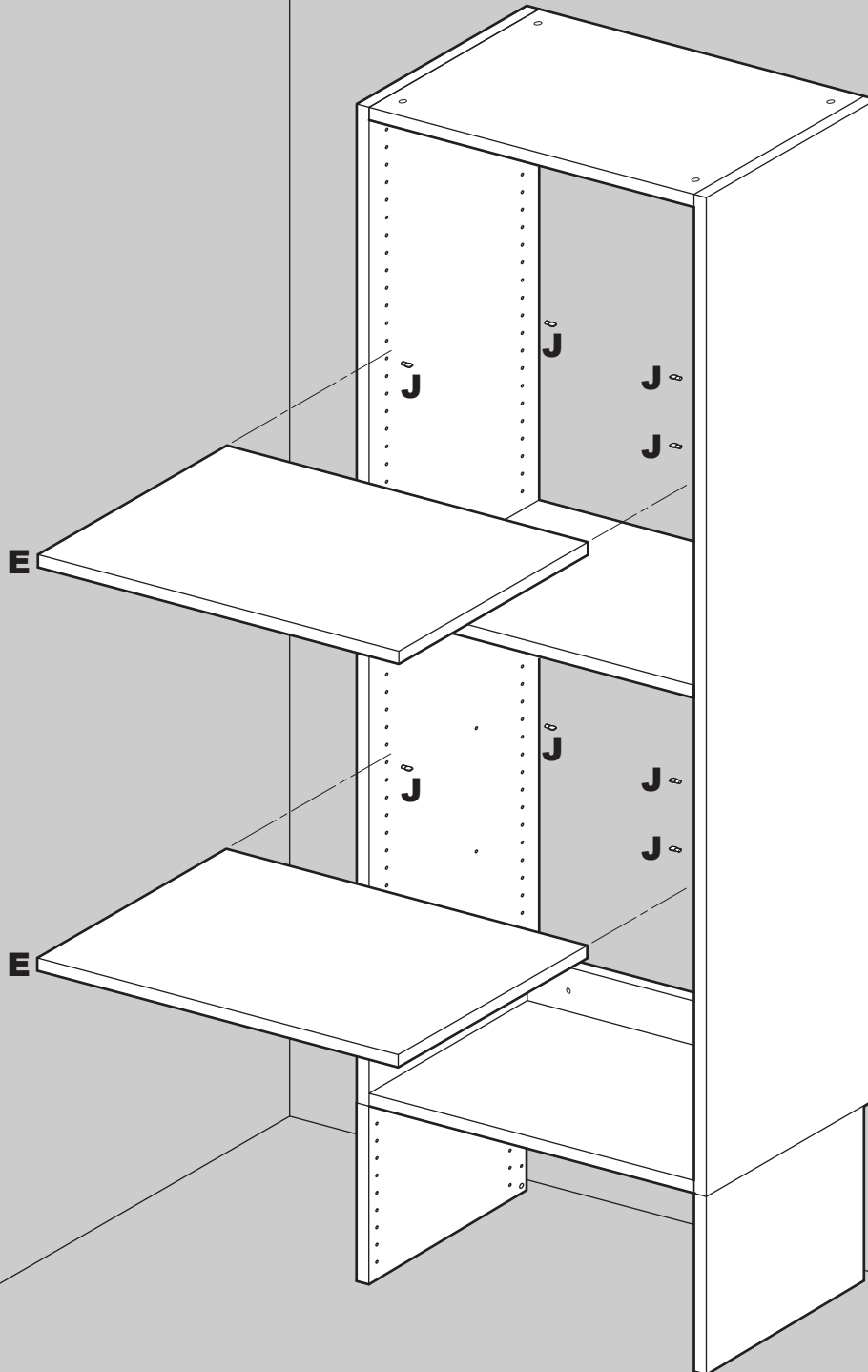
# ASSEMBLY AND INSTALLATION INSTRUCTIONS

## SHELF TOWER UNIT



# MODULAR CLOSETS

# 9



**9.1** For each Adjustable Shelf (E), insert four Shelf Pins (J) into pin holes inside the Tower at the desired height.

**9.2** Rest Adjustable Shelves (E) on Shelf Pins (J).