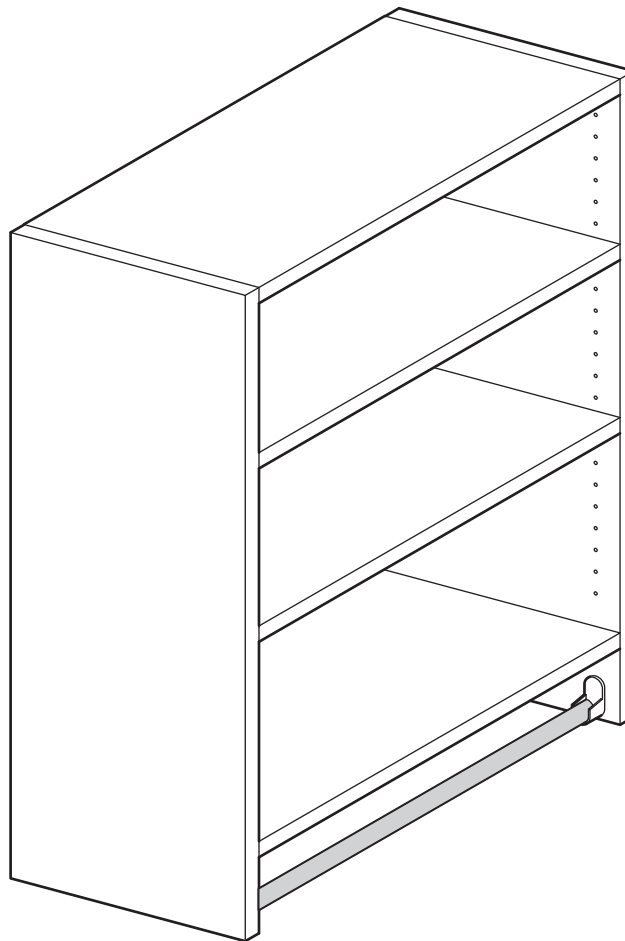




**MODULAR
CLOSETS**

1-844-969-4247 support@modularclosets.com

MEDIUM HANGING UNIT



ASSEMBLY AND INSTALLATION INSTRUCTIONS

ASSEMBLY AND INSTALLATION INSTRUCTIONS

MEDIUM HANGING UNIT

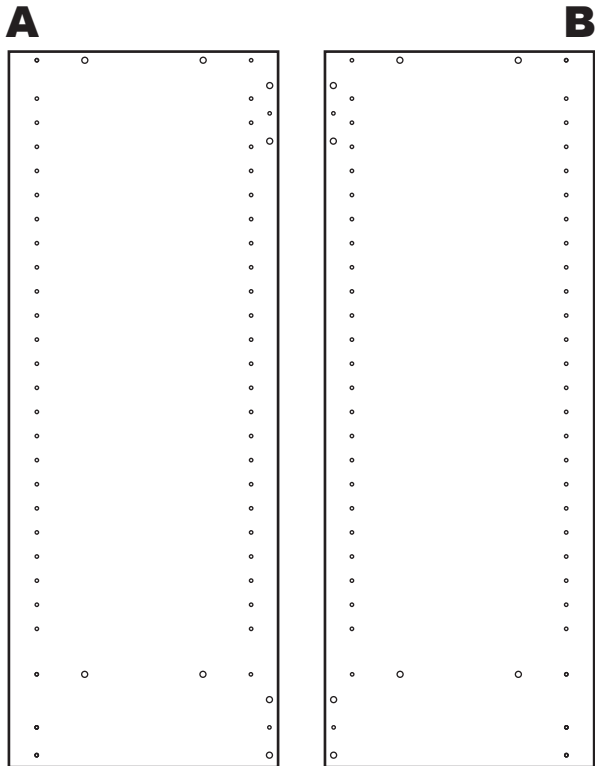


MODULAR CLOSETS

1

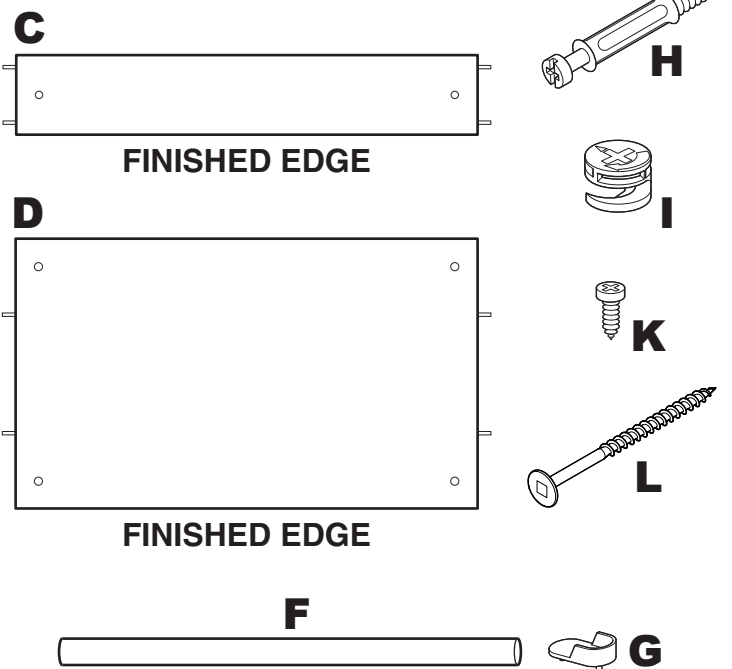
PARTS LIST

BOX 1



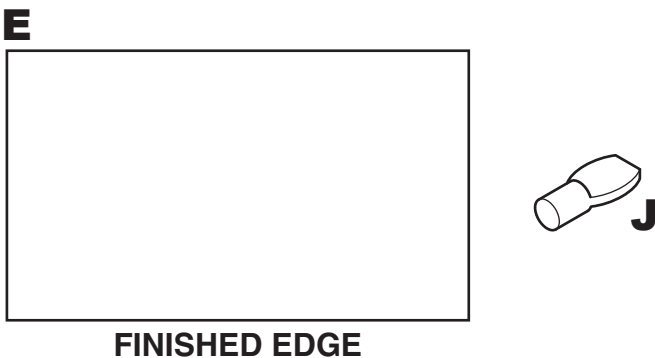
A Left Side Panel
B Right Side Panel

BOX 2



C Rear Hanging Cleat (Qty 2) **H** Cam Post (Qty 12)
D Set Shelf (Qty 2) **I** Camlock (Qty 12)
F Hanging Rod (Qty 1) **K** Screw, 5/8" (Qty 2)
G Rod Bracket (Qty 2) **L** Screw, Square Drive, 2.5" (Qty 4)

BOX 3

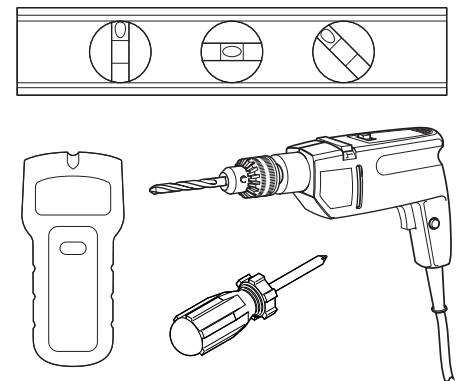


E Adjustable Shelf (Qty 2 or 4)
J Shelf Pins (Qty 8 or 16)

TOOLS REQUIRED

(not included unless noted)

Level
Stud Finder
Drill, 3/32" bit size
Phillips Screwdriver
Drill Bit, Square,
#2



1.1 Lay parts out on a protective surface to prevent damage. **Tip:** Spread out the cardboard packaging to use as a protective surface.

1.2 Inventory parts against the Parts List. Make sure all parts are present before proceeding.

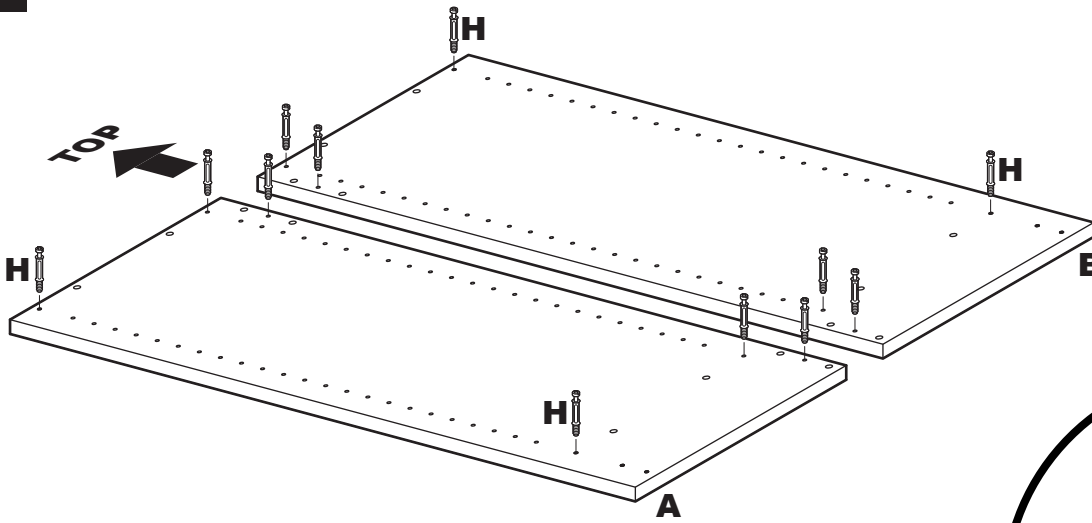
ASSEMBLY AND INSTALLATION INSTRUCTIONS

MEDIUM HANGING UNIT

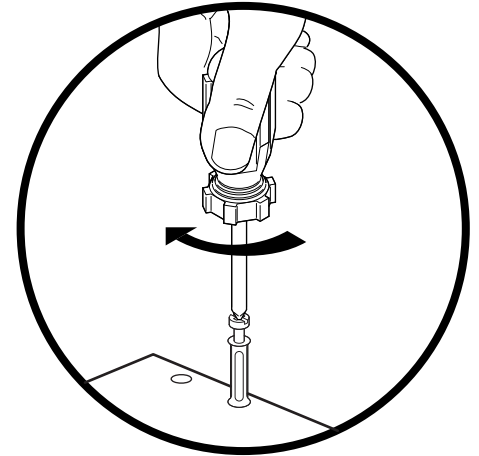


MODULAR CLOSETS

2



- 2.1** Install one Cam Post (H) into each of the six holes on Left Side Panel (A) and Right Side Panel (B). Tighten until Cam Posts are seated against Side Panels.



3

- 3.1** Assemble Set Shelves (D) and Rear Hanging Cleats (C) onto Right Side Panel (B) by sliding the Shelves and Cleats onto the Cam Posts (H) on Right Side Panel. BE SURE dowel pins in Shelves and Cleats engage drilled holes in Right Side Panel, and all parts are pressed flush against Right Side Panel.

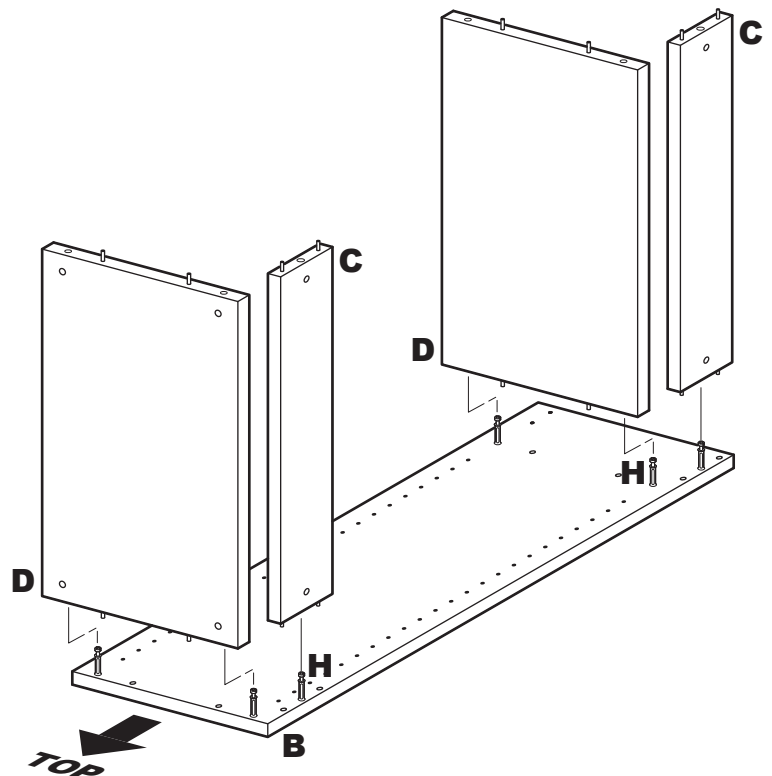
IMPORTANT NOTES

Install Set Shelves (D) with finished edges facing forward (toward front of unit).

Install Rear Hanging Cleats (C) with holes for Cam Locks facing the rear of the unit and the unfinished edge against the Set Shelf (D).

Install upper Set Shelf (D) with holes for Cam Locks facing the top of the unit.

Install lower Set Shelf (D) with holes for Cam Locks facing the bottom of the unit.



ASSEMBLY AND INSTALLATION INSTRUCTIONS

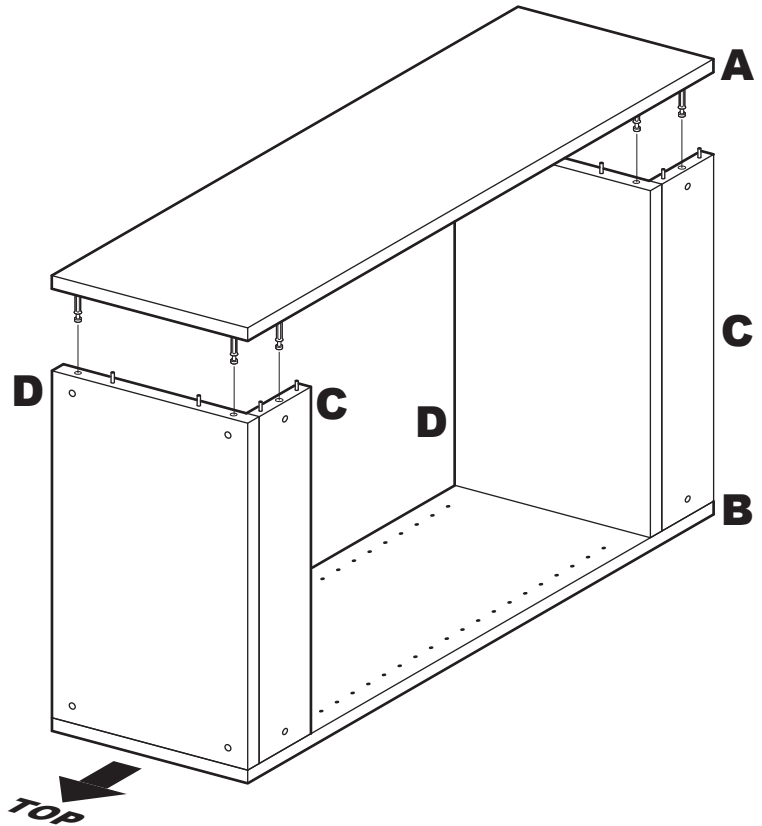
MEDIUM HANGING UNIT



MODULAR CLOSETS

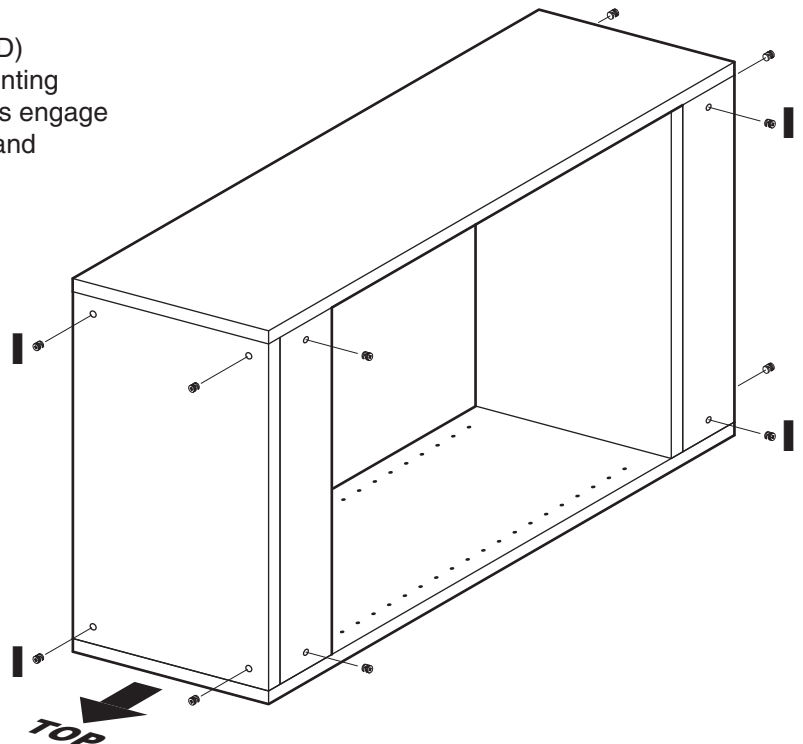
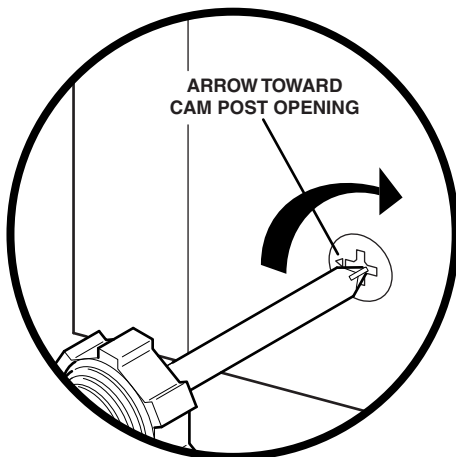
4

- 4.1** Install Left Side Panel (A) onto assembled Set Shelves (D) and Rear Hanging Cleats (C). BE SURE dowel pins in Shelves and Cleats engage drilled holes in Left Side Panel, and Left Side Panel is pressed flush against Set Shelves and Cleats.



5

- 5.1** Insert Camlocks (I) in holes in Set Shelves (D) and Rear Hanging Cleats (C), with arrow pointing toward Cam Post opening. Be sure Camlocks engage Cam Posts, and are fully seated in Shelves and Cleats.
- 5.2** Tighten Camlocks (I) clockwise to lock.



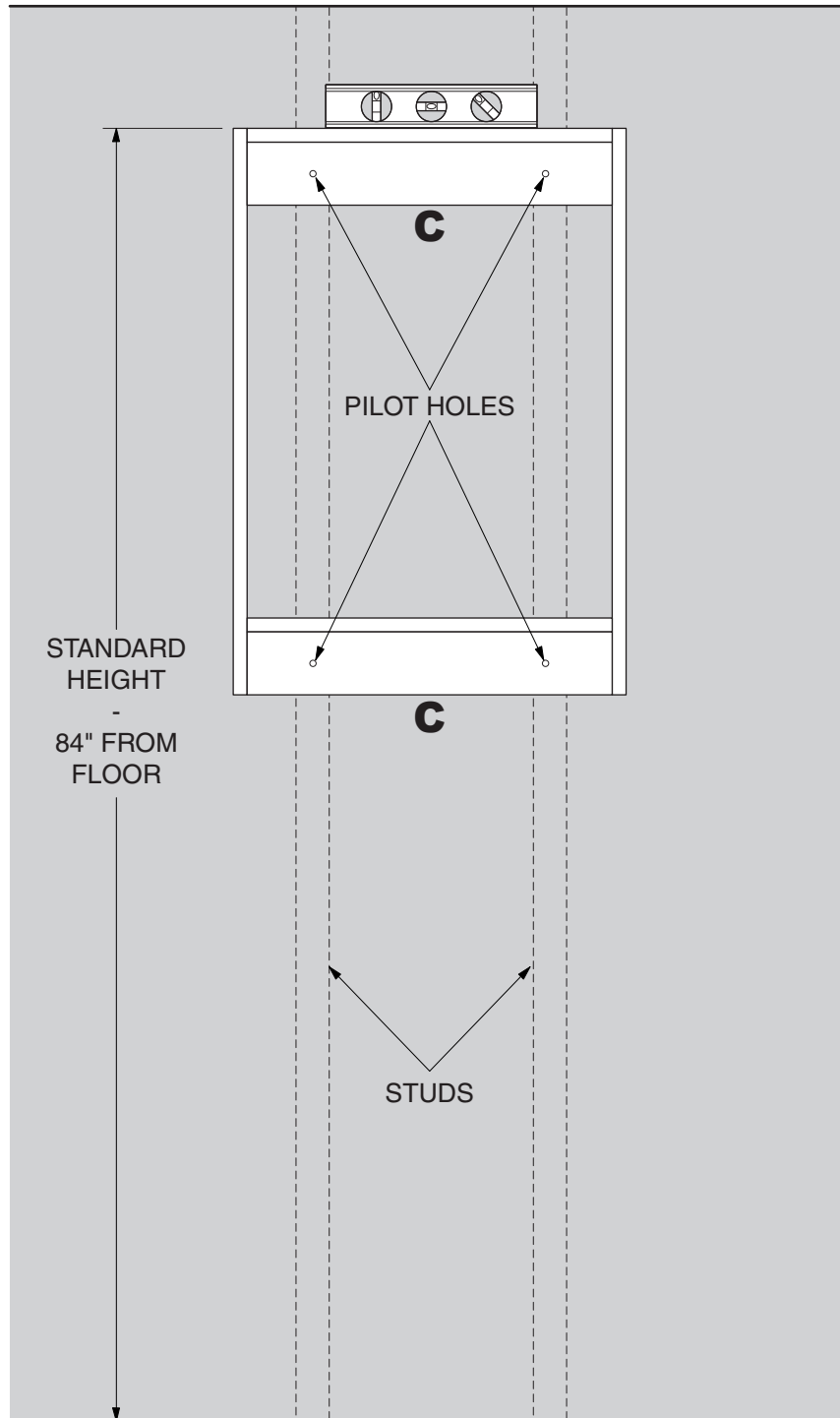
ASSEMBLY AND INSTALLATION INSTRUCTIONS

MEDIUM HANGING UNIT



MODULAR CLOSETS

6



INSTALLATION

- 6.1** Determine the mounting location for the unit.
 - 6.2** Using a stud finder, locate studs to which the unit will be secured. Mark stud locations with a pencil.
 - 6.3** With the unit positioned at the desired location, level the unit, then drill pilot holes through Rear Hanging Cleats (C),
- NOTE:** For 18" and 24" units, it is likely that only one stud will pass through the unit. In these cases, use two screws through each Rear Hanging Cleat.

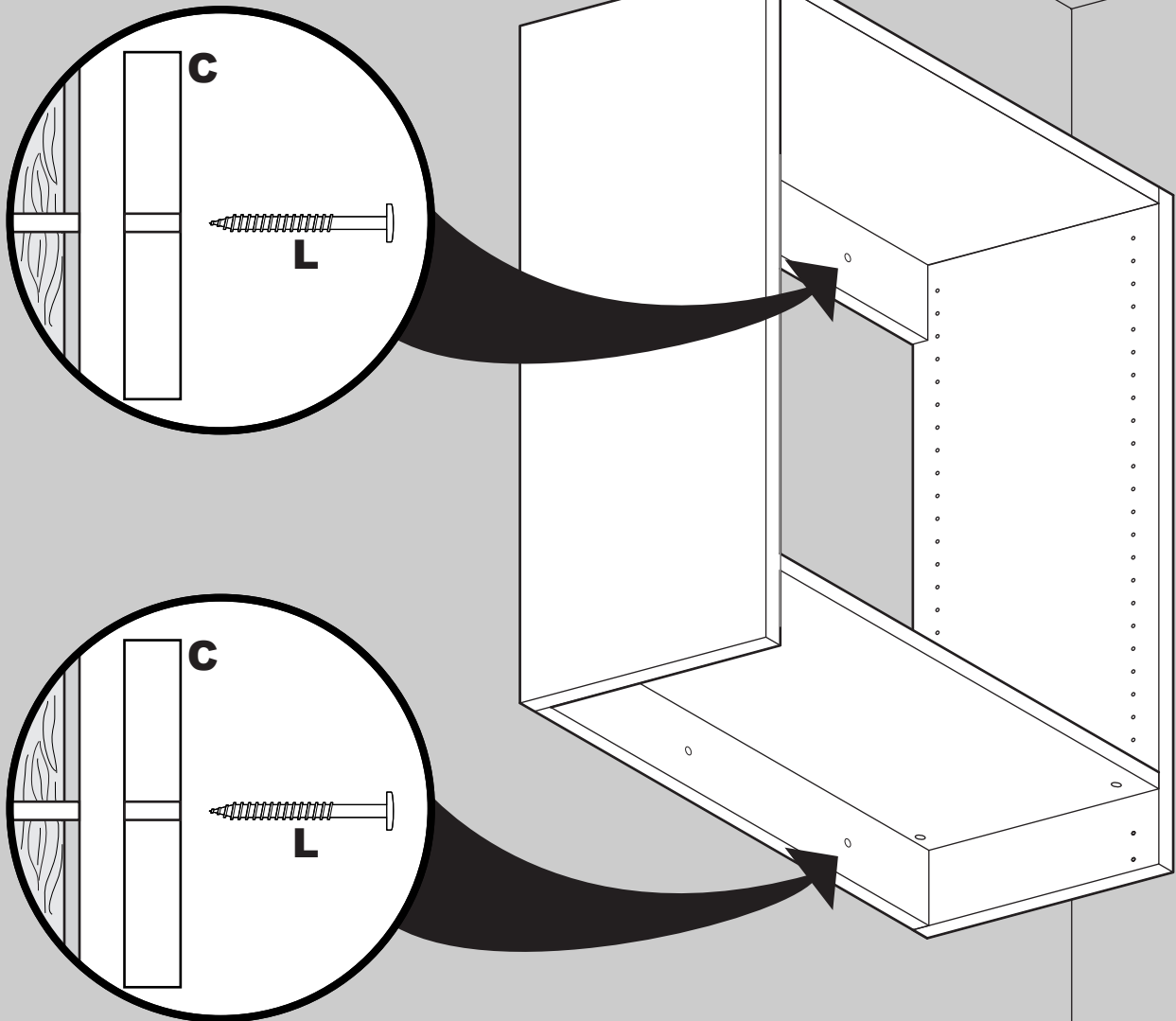
ASSEMBLY AND INSTALLATION INSTRUCTIONS

MEDIUM HANGING UNIT



MODULAR CLOSETS

7



7.1 Secure Rear Hanging Cleats (C) to studs using 2.5" Screws (L). Tighten Screws using Square Drill Bit (provided) and Drill.

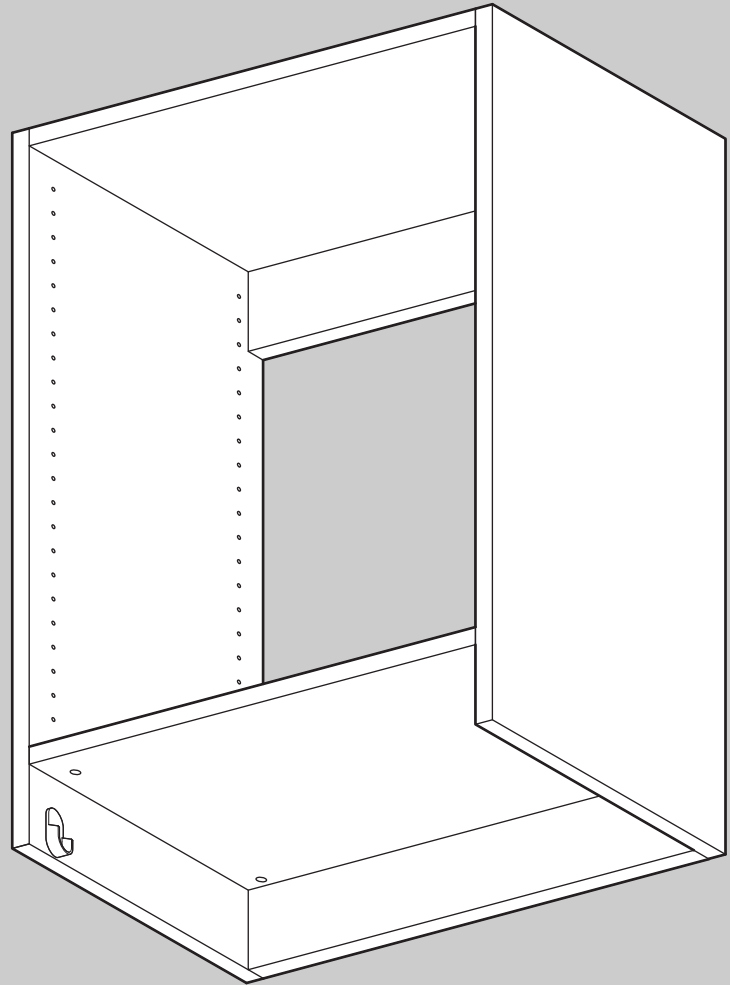
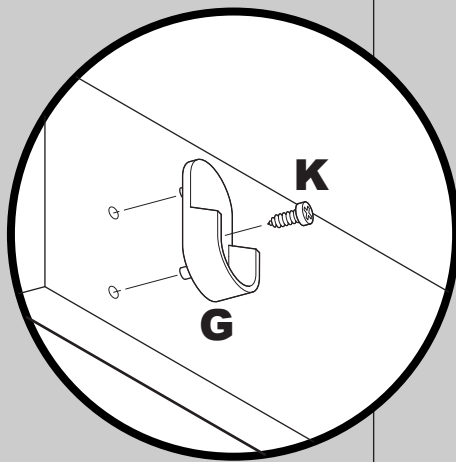
ASSEMBLY AND INSTALLATION INSTRUCTIONS

MEDIUM HANGING UNIT



MODULAR CLOSETS

8



8.1 Install one Rod Bracket (G) on Left Side Panel (A) and Right Side Panel (B) and secure each Bracket with one screw (K).

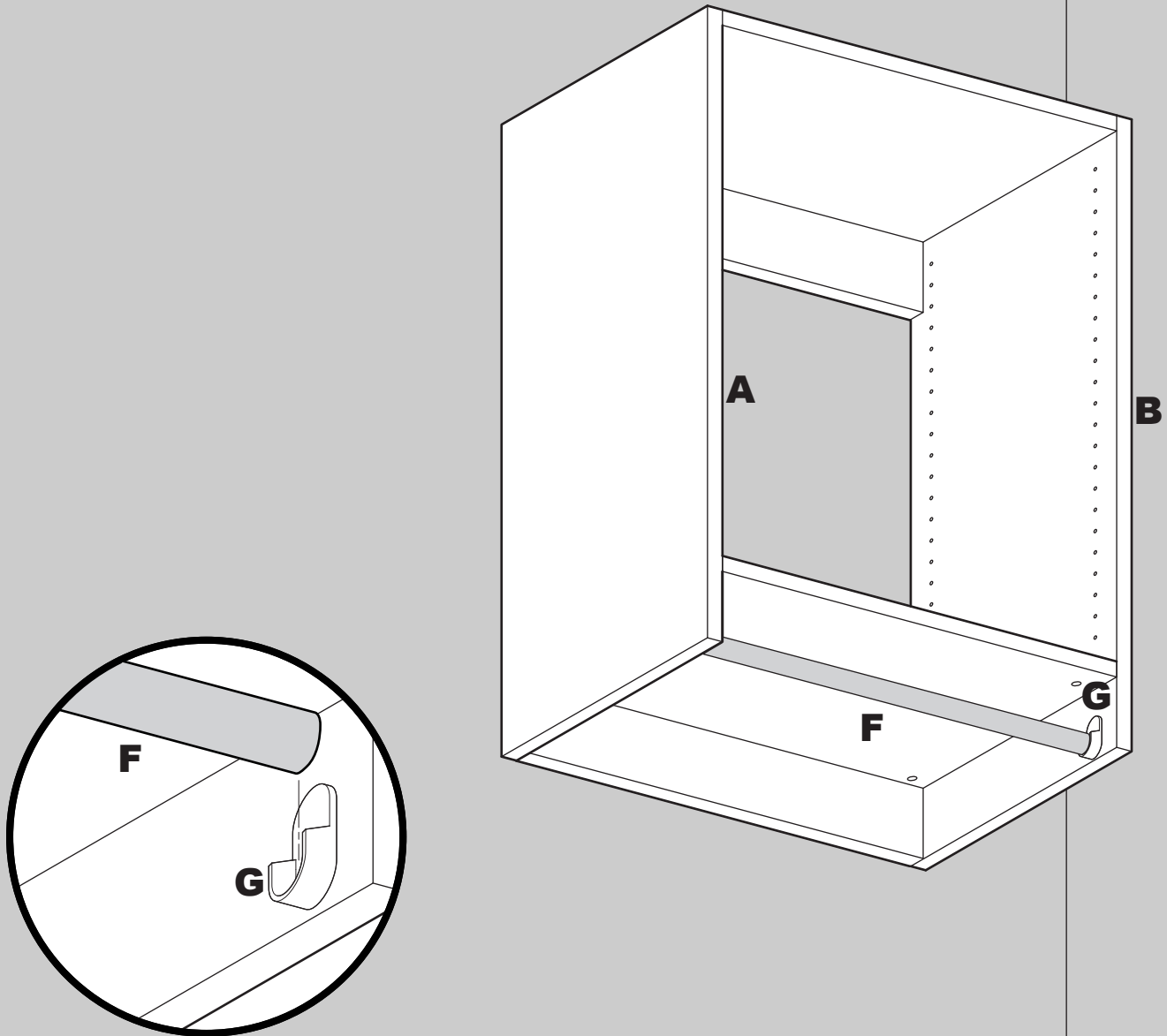
ASSEMBLY AND INSTALLATION INSTRUCTIONS

MEDIUM HANGING UNIT



MODULAR CLOSETS

9



NOTE: Use care when installing Hanging Rods (F) to avoid scratching finish inside unit.

9.1 Lower each Hanging Rod (F) into Rod Brackets (G) on Left Side Panel (A) and Right Side Panel (B).

ASSEMBLY AND INSTALLATION INSTRUCTIONS MEDIUM HANGING UNIT



MODULAR CLOSETS

10

- 10.1** For each Adjustable Shelf (E), insert four Shelf Pins (J) into pin holes inside the Tower at the desired height.
- 10.2** Rest Adjustable Shelves (E) on Shelf Pins (J).

