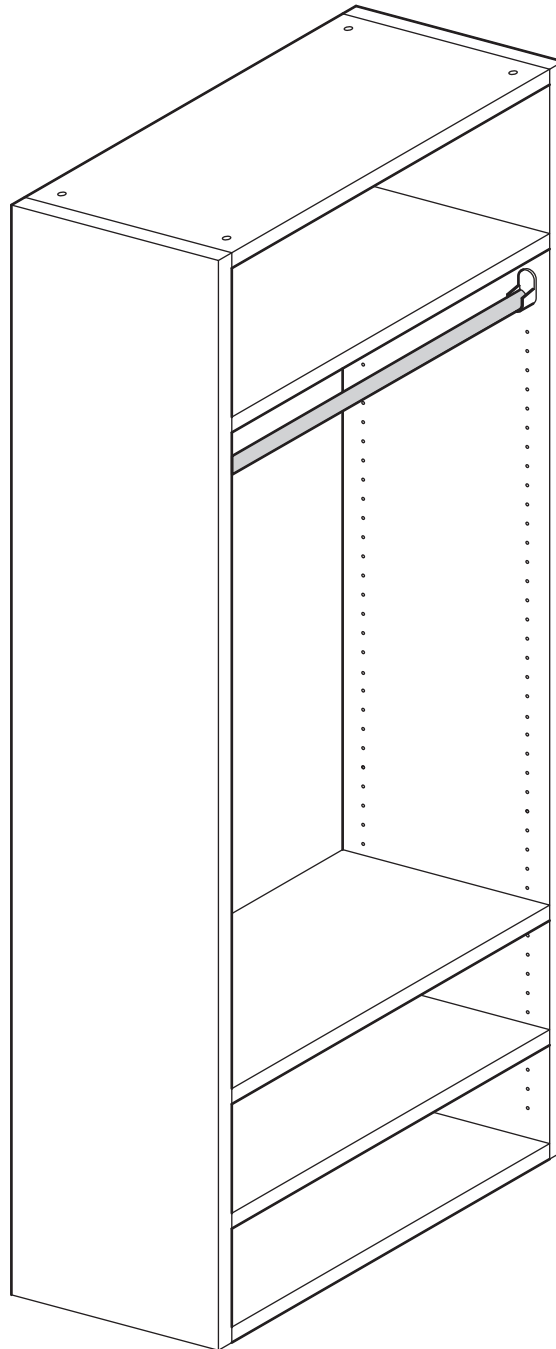




**MODULAR  
CLOSETS**

1-844-969-4247 support@modularclosets.com

# **HANGING TOWER UNIT**



## **ASSEMBLY AND INSTALLATION INSTRUCTIONS**

# ASSEMBLY AND INSTALLATION INSTRUCTIONS HANGING TOWER

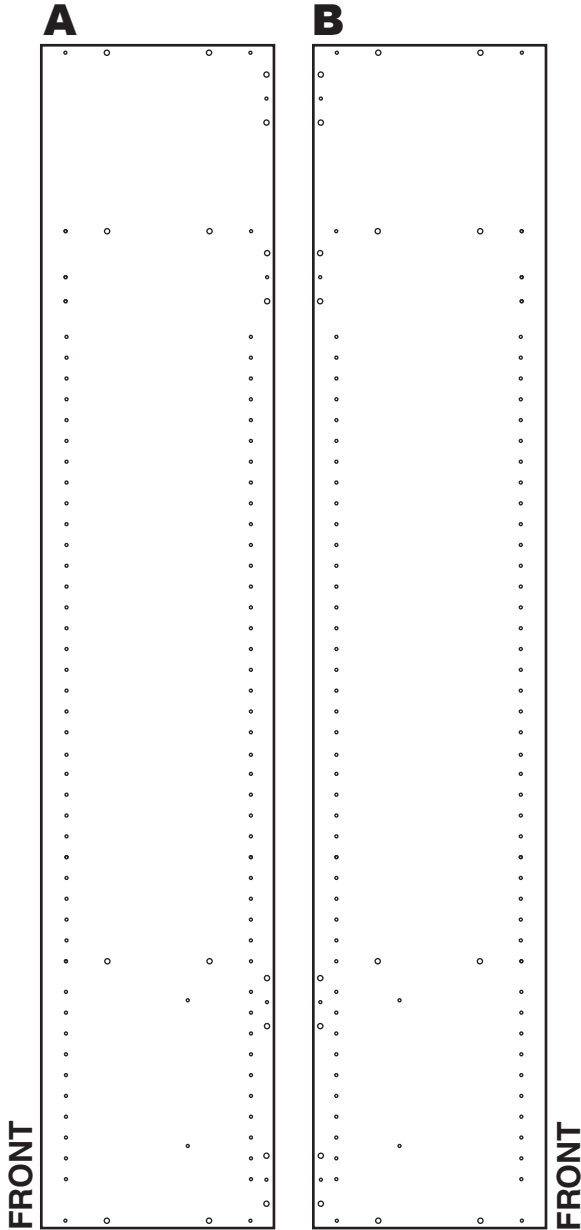


## MODULAR CLOSETS

# 1A

### PARTS LIST

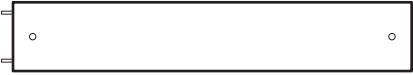
#### BOX 1



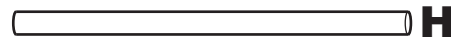
- A** Left Side Panel (Qty 1)
- B** Right Side Panel (Qty 1)

#### BOX 2 / BOX 3

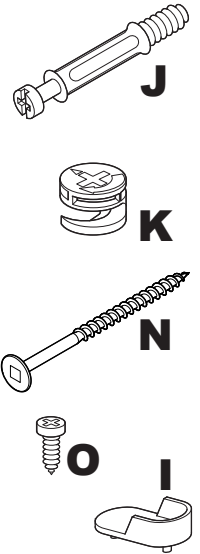
##### **C** FINISHED EDGE



##### **D** FINISHED EDGE



- C** Rear Hanging Cleat (Qty 2 each box)
- D** Set Shelf (Qty 2 each box)
- H** Hanging Rod (Qty 1 - Box 2)
- I** Rod Bracket (Qty 2 - Box 2)
- J** Cam Post (Qty 12 each box)
- K** Camlock (Qty 12 each box)
- N** Screw, Square Drive, 2.5" (Qty 4 each box)



#### BOX 4

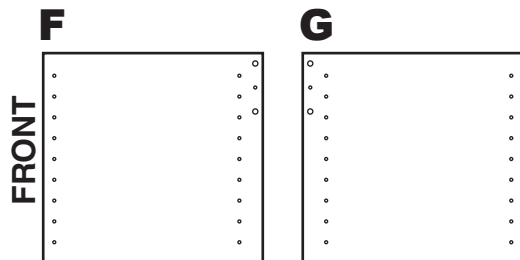
##### **E** FINISHED EDGE



- E** Adjustable Shelf (Qty 2)
- L** Shelf Pins (Qty 8)



#### BOX 5 - Leg Extension Kit (Optional)



##### **C** FINISHED EDGE



- C** Rear Hanging Cleat (Qty 1)
- F** Left Leg Extension (Qty 1)
- G** Right Leg Extension (Qty 1)
- J** Cam Post (Qty 2)
- K** Camlock (Qty 2)
- M** Wood Dowels (Qty 4)

# ASSEMBLY AND INSTALLATION INSTRUCTIONS HANGING TOWER



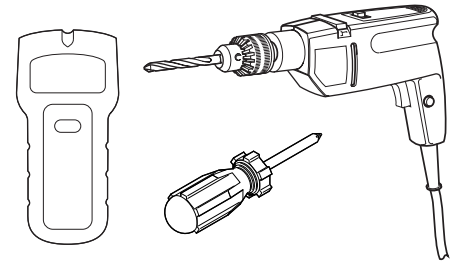
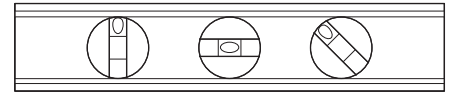
## MODULAR CLOSETS

# 1B

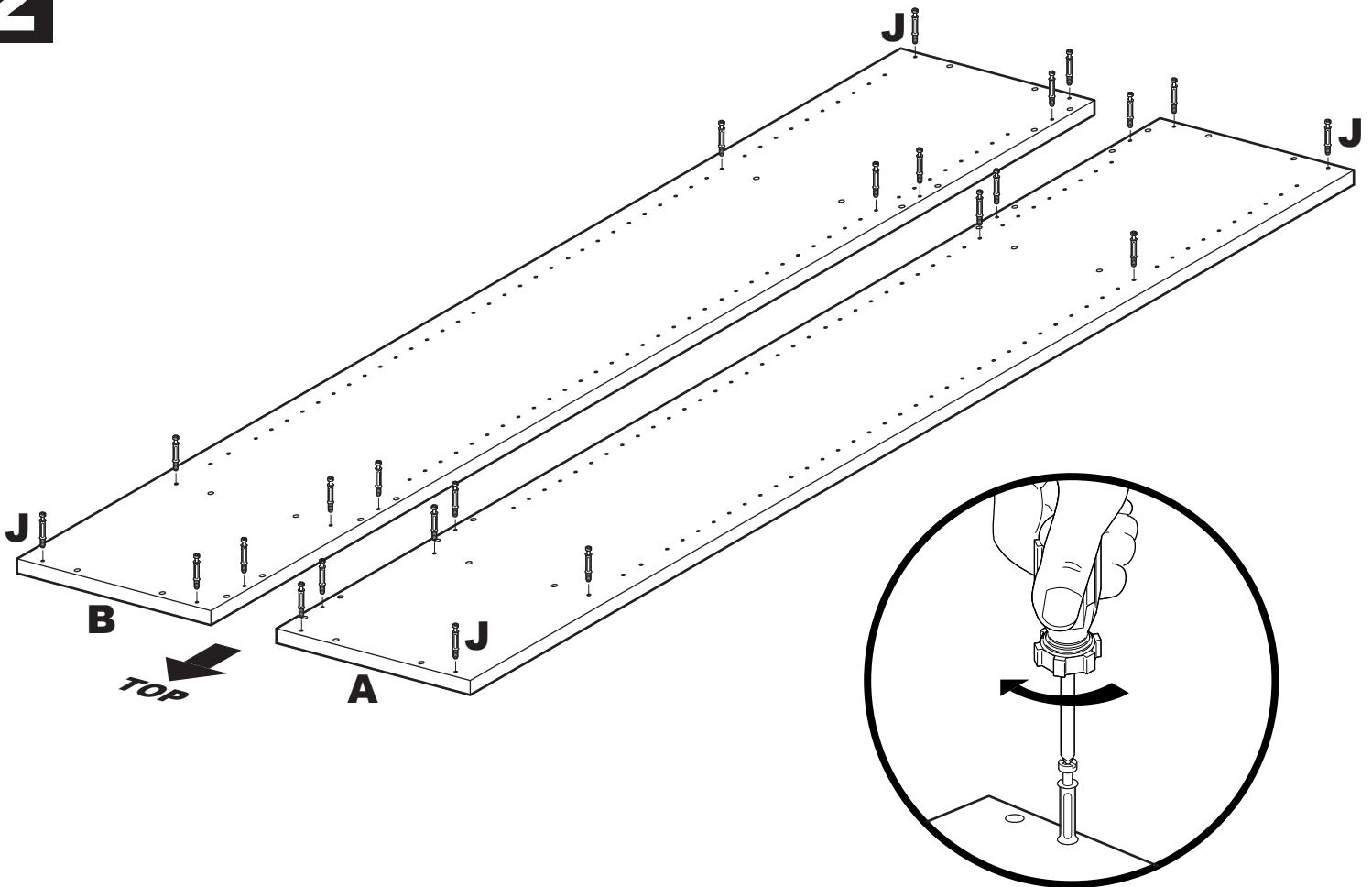
- 1.1** Lay parts out on a protective surface to prevent damage.  
*Tip: Spread out the cardboard packaging to use as a protective surface.*
- 1.2** Inventory parts against the Parts List. Make sure all parts are present before proceeding.

### TOOLS REQUIRED (not included unless noted)

Level                      Drill, 3/32" bit size  
Stud Finder              Phillips Screwdriver  
Drill Bit, Square, #2



# 2



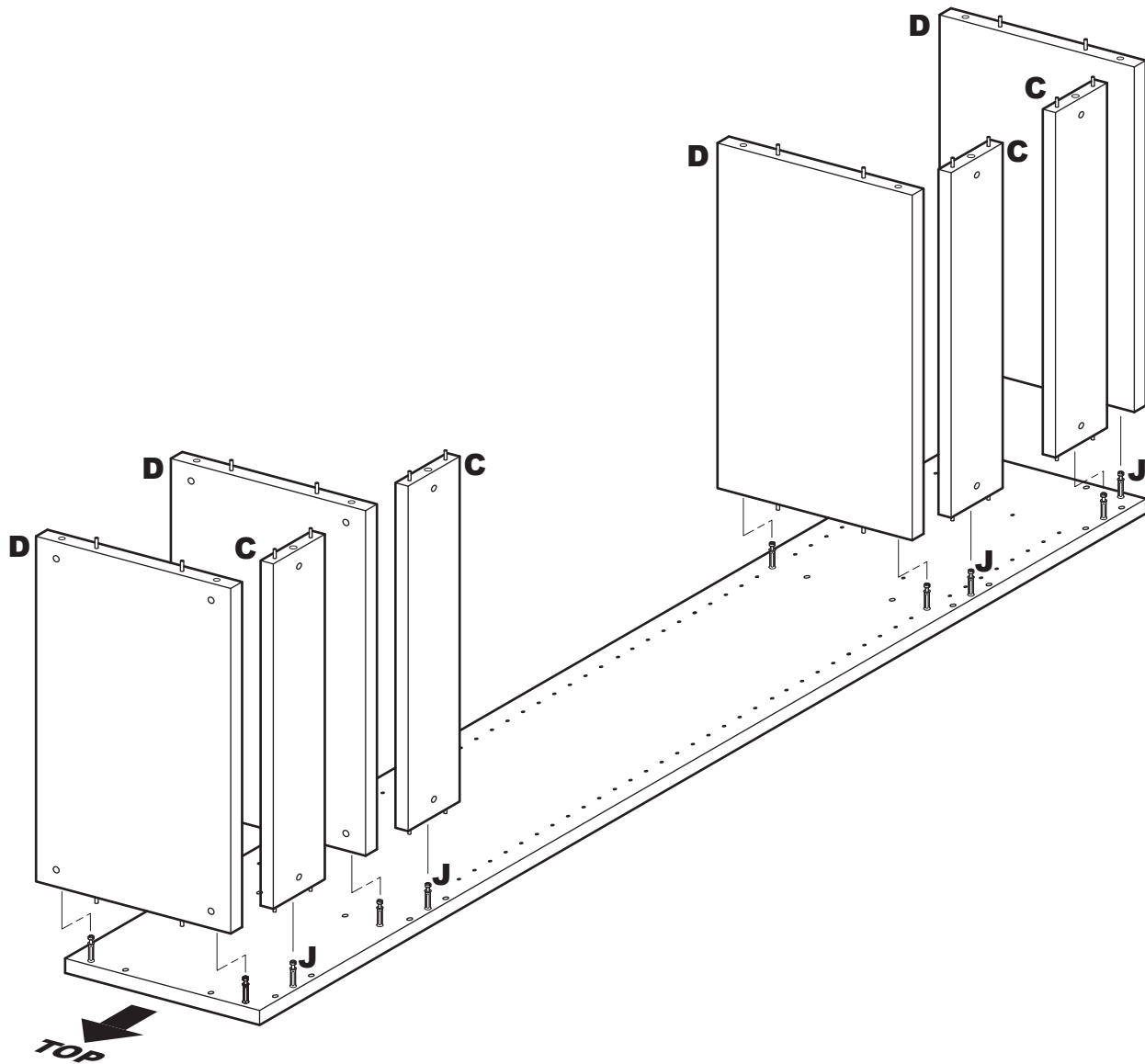
- 2.1** Install one Cam Post (J) into each of the 12 holes on Left Side Panel (A) and Right Side Panel (B). Tighten until Cam Posts are seated against Side Panels.

# ASSEMBLY AND INSTALLATION INSTRUCTIONS HANGING TOWER



## MODULAR CLOSETS

### 3



- 3.1** Assemble Set Shelves (D) and Rear Hanging Cleats (C) onto Right Side Panel (B) by sliding the Shelves and Cleats onto the Cam Posts (J) on Side Panel. BE SURE dowel pins in Shelves and Cleats engage drilled holes in Side Panel, and all parts are pressed flush against Side Panel.

#### IMPORTANT NOTES

Install Set Shelves (D) with finished edges facing forward (toward front of unit).

Install Rear Hanging Cleats (C) with holes for Cam Locks facing the rear of the unit and the unfinished edge against the Set Shelf (D).

Install upper Set Shelves (D) with holes for Cam Locks facing the top of the unit.

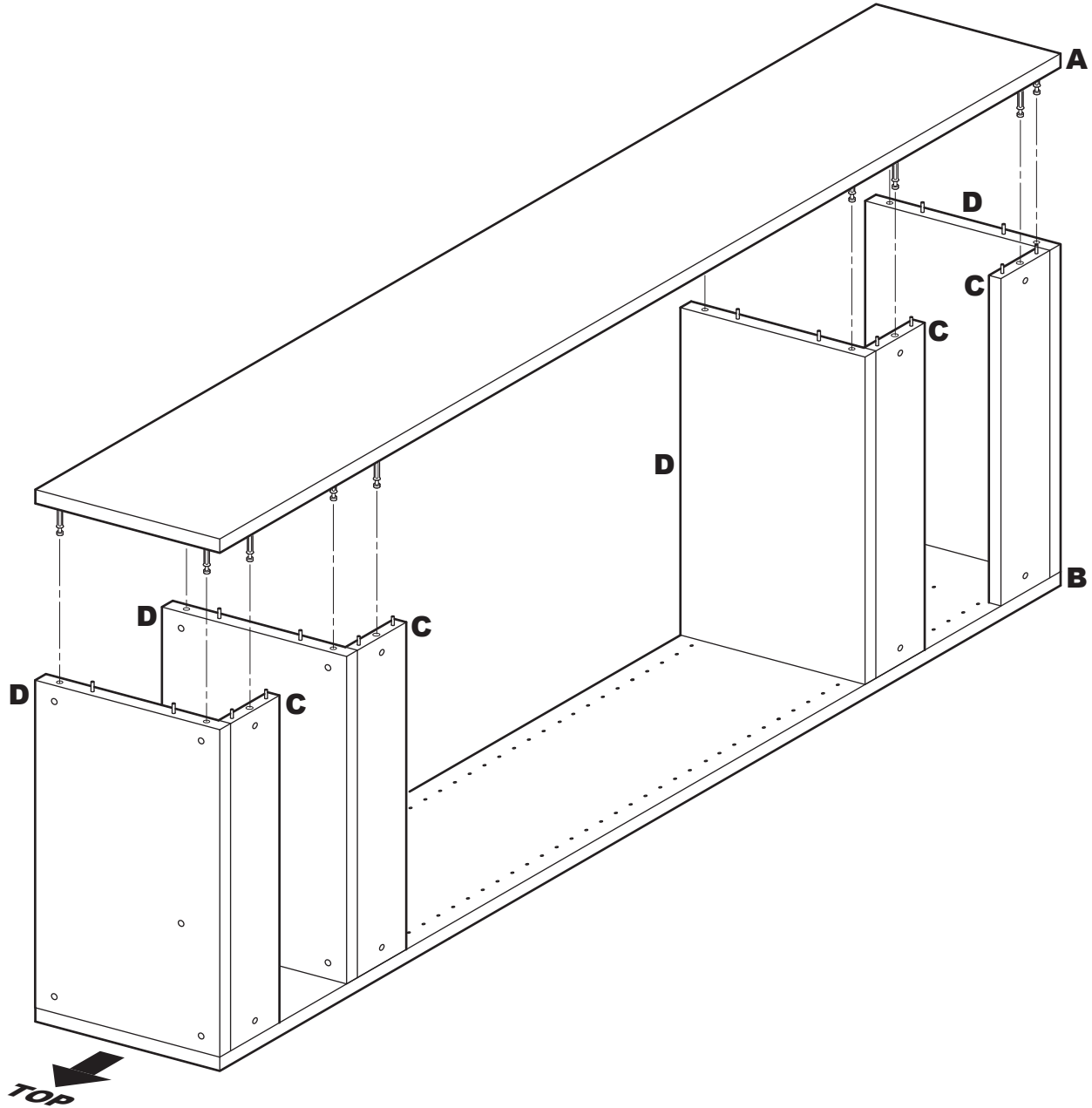
Install lower Set Shelves (D) with holes for Cam Locks facing the bottom of the unit.

# ASSEMBLY AND INSTALLATION INSTRUCTIONS HANGING TOWER



## MODULAR CLOSETS

# 4



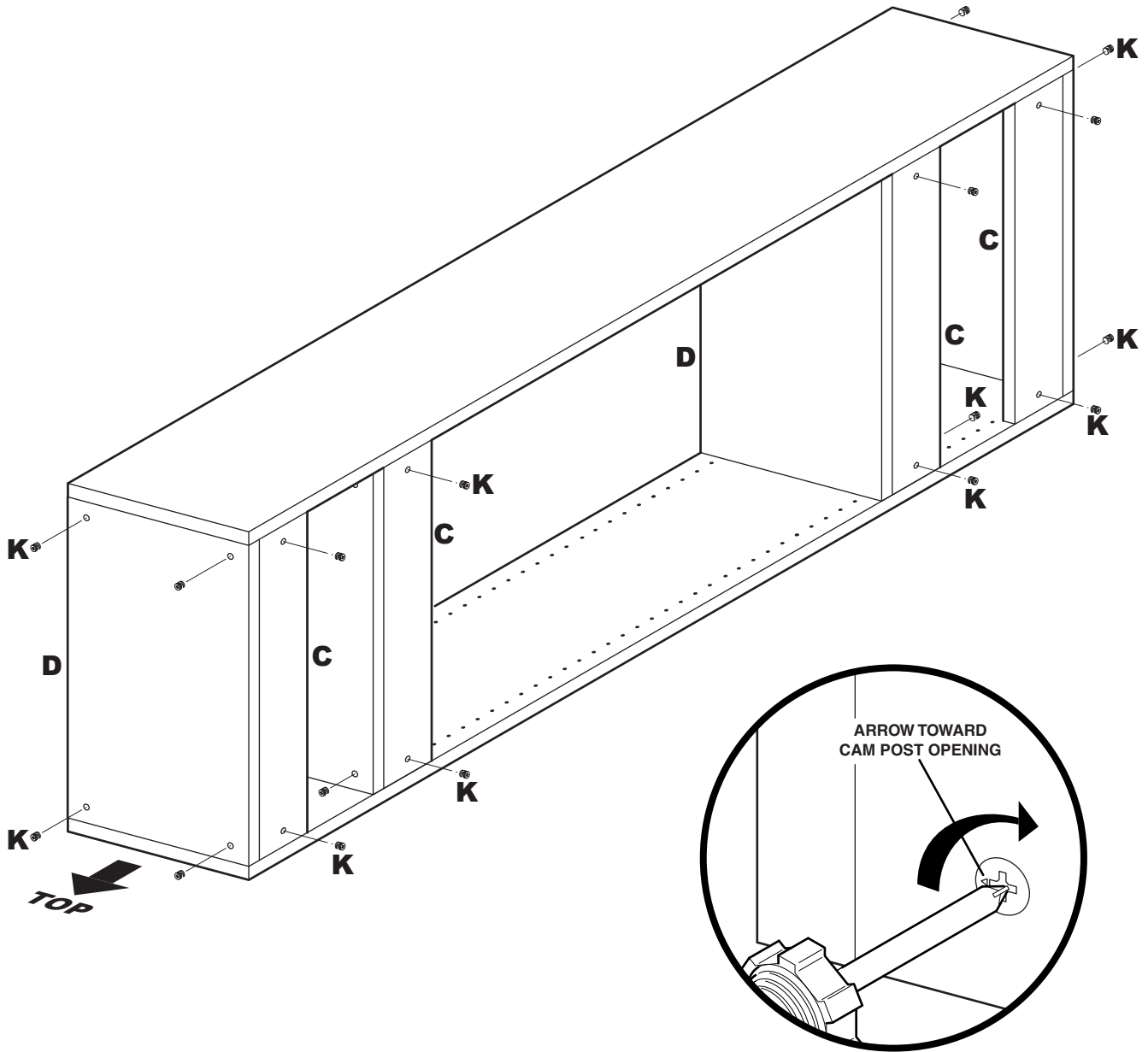
- 4.1** Install Left Side Panel (A) onto assembled Set Shelves (D) and Rear Hanging Cleats (E). BE SURE dowel pins in Shelves and Cleats engage drilled holes in Side Panel, and Side Panel is pressed flush against Set Shelves and Cleats.

# ASSEMBLY AND INSTALLATION INSTRUCTIONS HANGING TOWER



## MODULAR CLOSETS

### 5



- 5.1** Insert Camlocks (K) in holes in Set Shelves (D) and Rear Hanging Cleats (C), with arrow pointing toward Cam Post opening. Be sure Camlocks engage Cam Posts, and are fully seated in Shelves and Cleats.
- 5.2** Tighten Camlocks (K) clockwise to lock.

# ASSEMBLY AND INSTALLATION INSTRUCTIONS HANGING TOWER

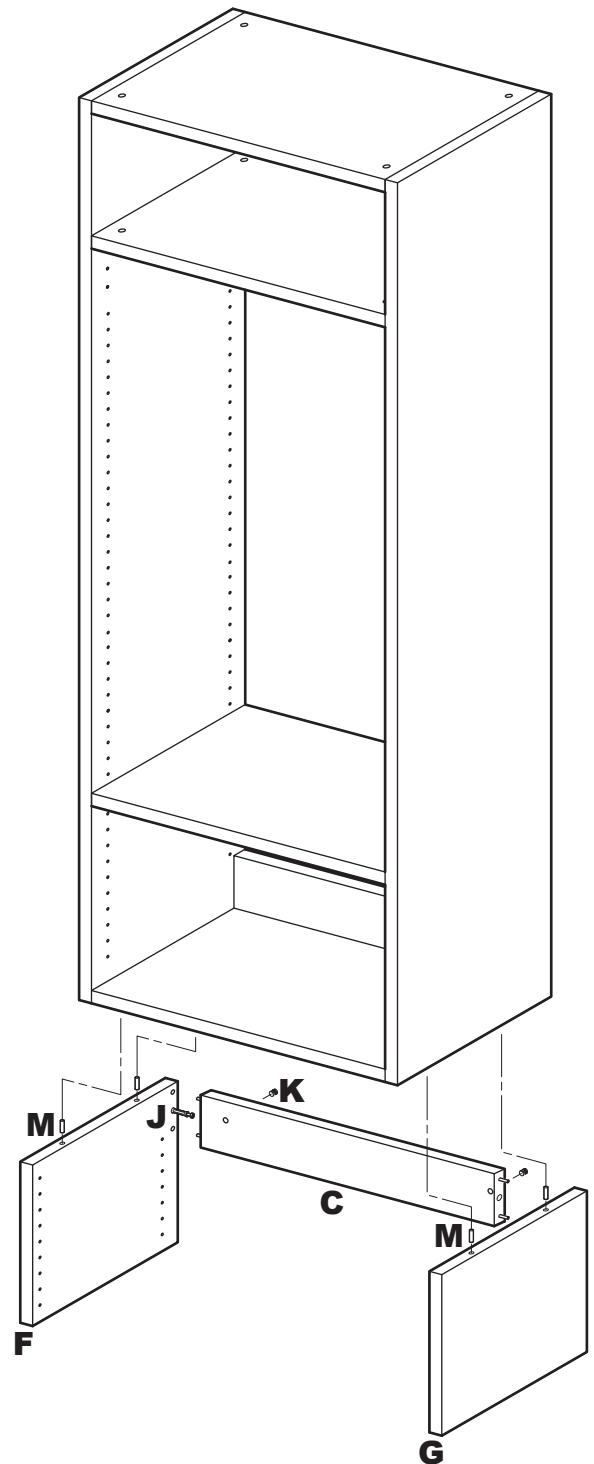
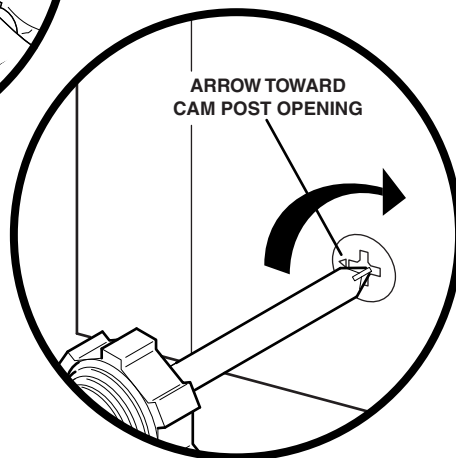
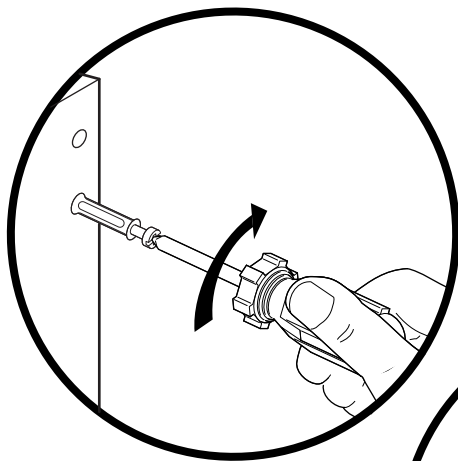


MODULAR  
CLOSETS

6

## FOR LEG EXTENSION KIT INSTALLATIONS ONLY Leg Extension Kit purchased separately)

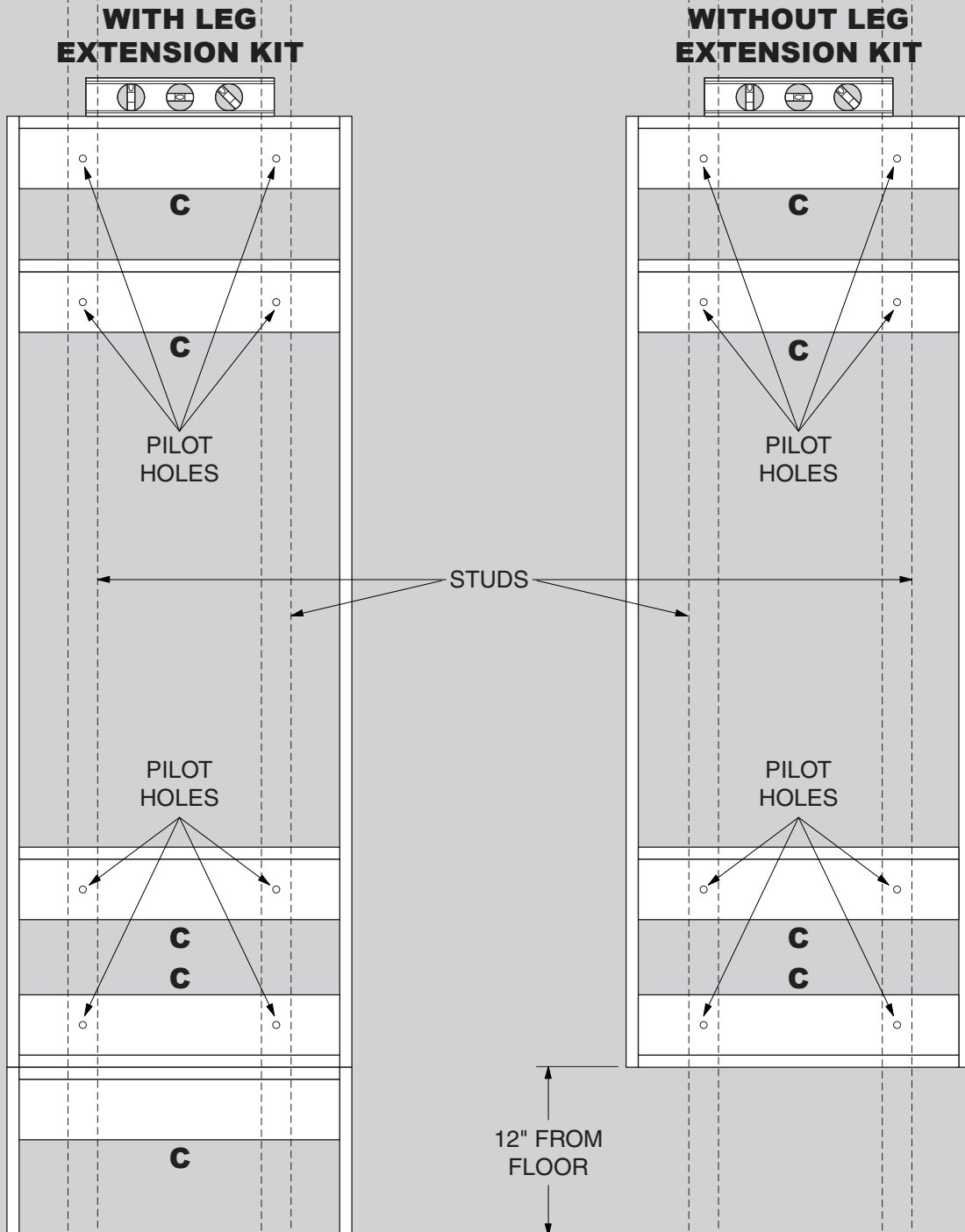
- 6.1** Insert four Wood Dowels (M) into holes in edges of Left Leg Extension (F) and Right Leg Extension (G).
- 6.2** Install one Cam Post (J) each into Left Leg Extension (F) and Right Leg Extension (G). Tighten until Cam Posts are seated against Leg Extensions.
- 6.3** Assemble Left Leg Extension (F) and Right Leg Extension (G) onto Rear Hanging Cleat (C) by sliding the Cam Posts (J) into Cleat. BE SURE wood dowels in Cleat engage drilled holes in Leg Extensions, and all parts are pressed flush against each other.
- 6.4** Insert Camlocks (K) in holes in Rear Hanging Cleat (C), with arrow pointing toward Cam Post opening. BE SURE Camlocks engage Cam Posts, and are fully seated in Cleat. Tighten Camlocks (K) clockwise to lock.
- 6.5** Align Wood Dowels (K) in assembled Leg Extensions with holes in Shelf Tower, and press Tower and Leg Extensions together.



# ASSEMBLY AND INSTALLATION INSTRUCTIONS HANGING TOWER



7



## INSTALLATION

- 7.1** Determine the mounting location for the unit. The unit can be wall mounted or floor mounted (by installing the Floor Support Panels as shown in step 6).
- 7.2** Using a stud finder, locate studs to which the unit will be secured. Mark stud locations with a pencil.
- 7.3** With the unit positioned at the desired location, level the unit, then drill pilot holes through Rear Hanging Cleats (C),

**NOTE:** For 18" and 24" units, it is likely that only one stud will pass through the unit. In these cases, use two screws through each Rear Hanging Cleat.



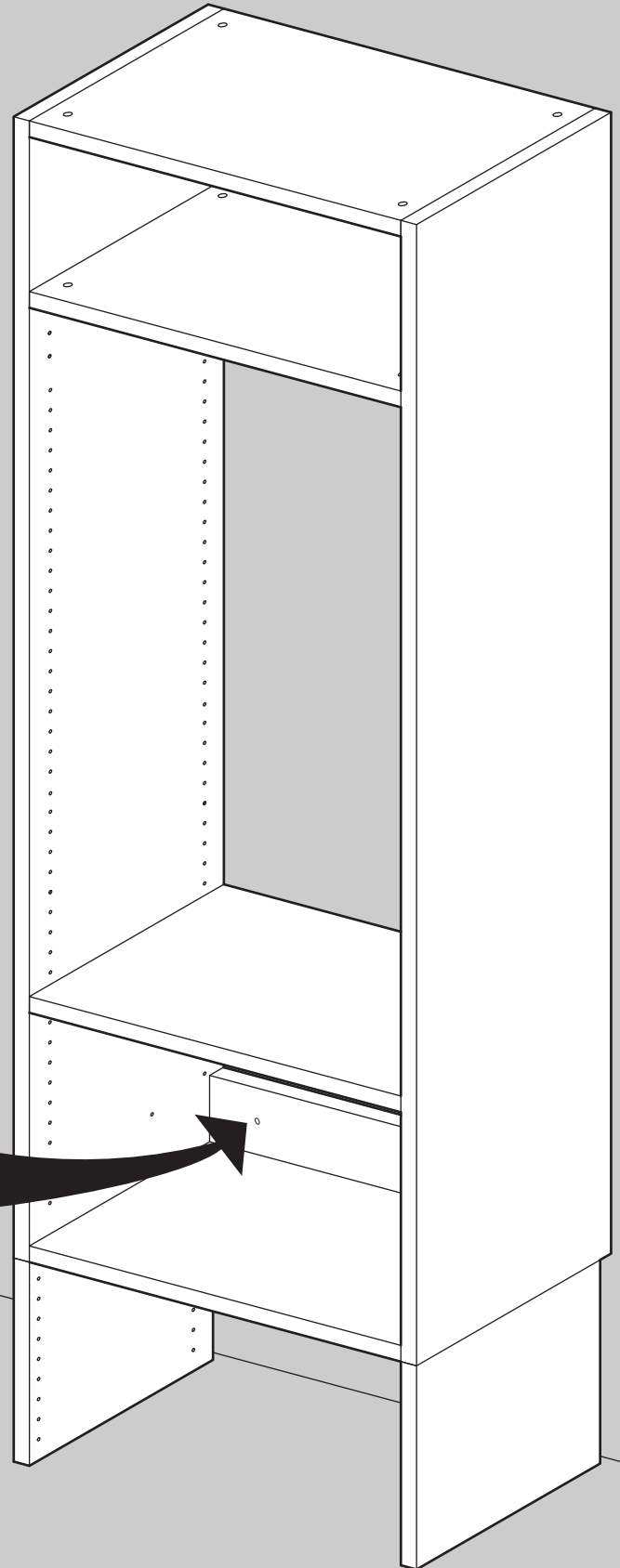
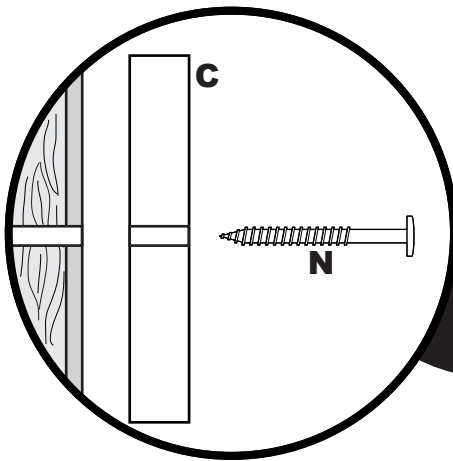
# ASSEMBLY AND INSTALLATION INSTRUCTIONS HANGING TOWER



MODULAR  
CLOSETS

8

**8.1** Secure Rear Hanging Cleats (C) to studs using 3" Screws (N).

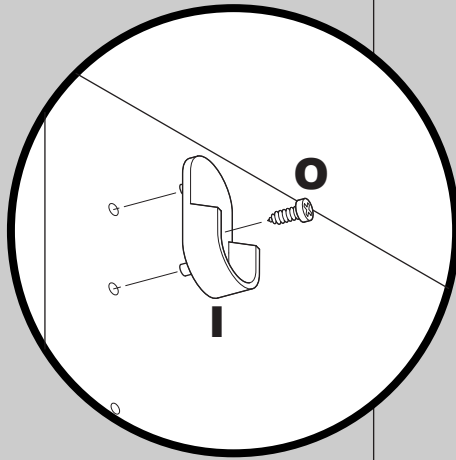


# ASSEMBLY AND INSTALLATION INSTRUCTIONS HANGING TOWER

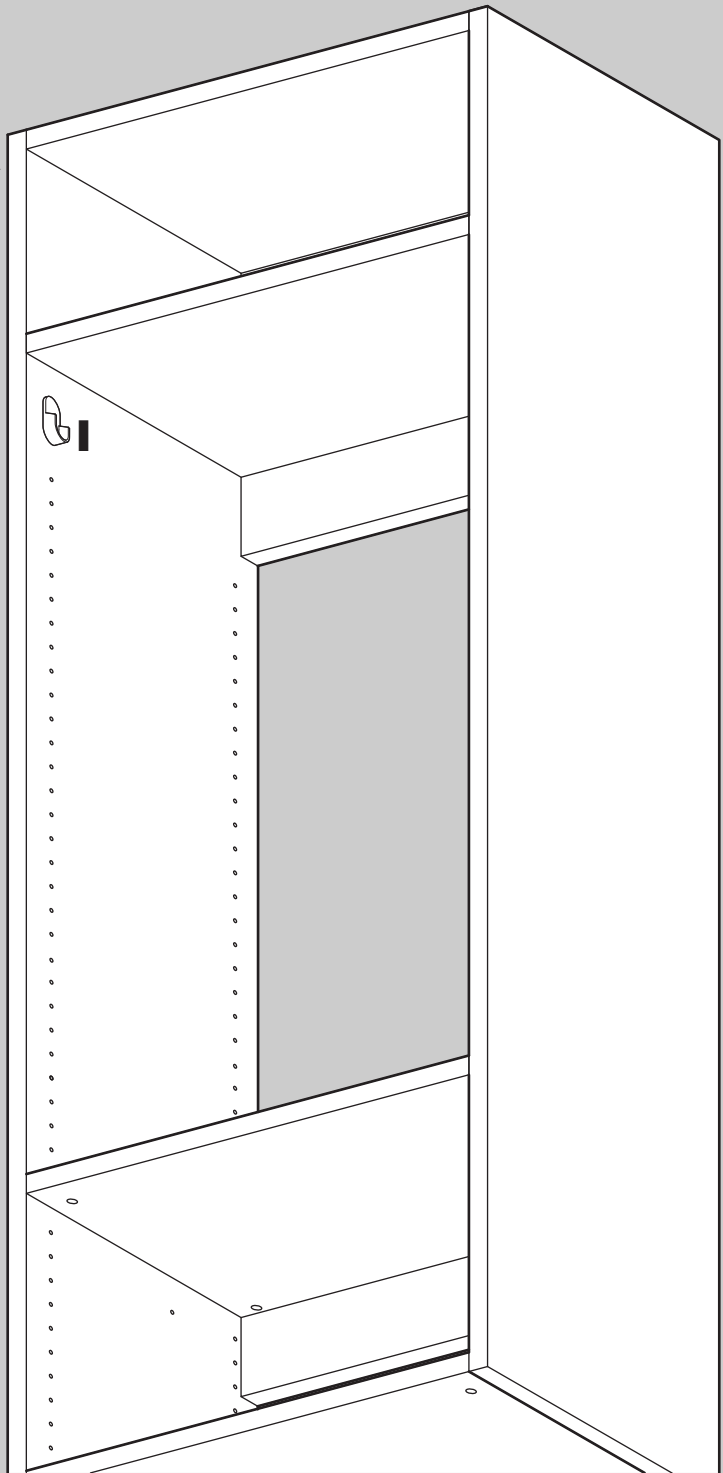


MODULAR  
CLOSETS

9



A



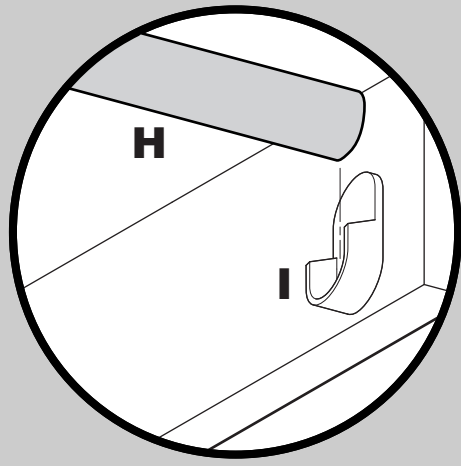
**9.1** Install one Rod Bracket (I) on Left Side Panel (A) and Right Side Panel (B) and secure each Bracket with one screw (O).

# ASSEMBLY AND INSTALLATION INSTRUCTIONS HANGING TOWER

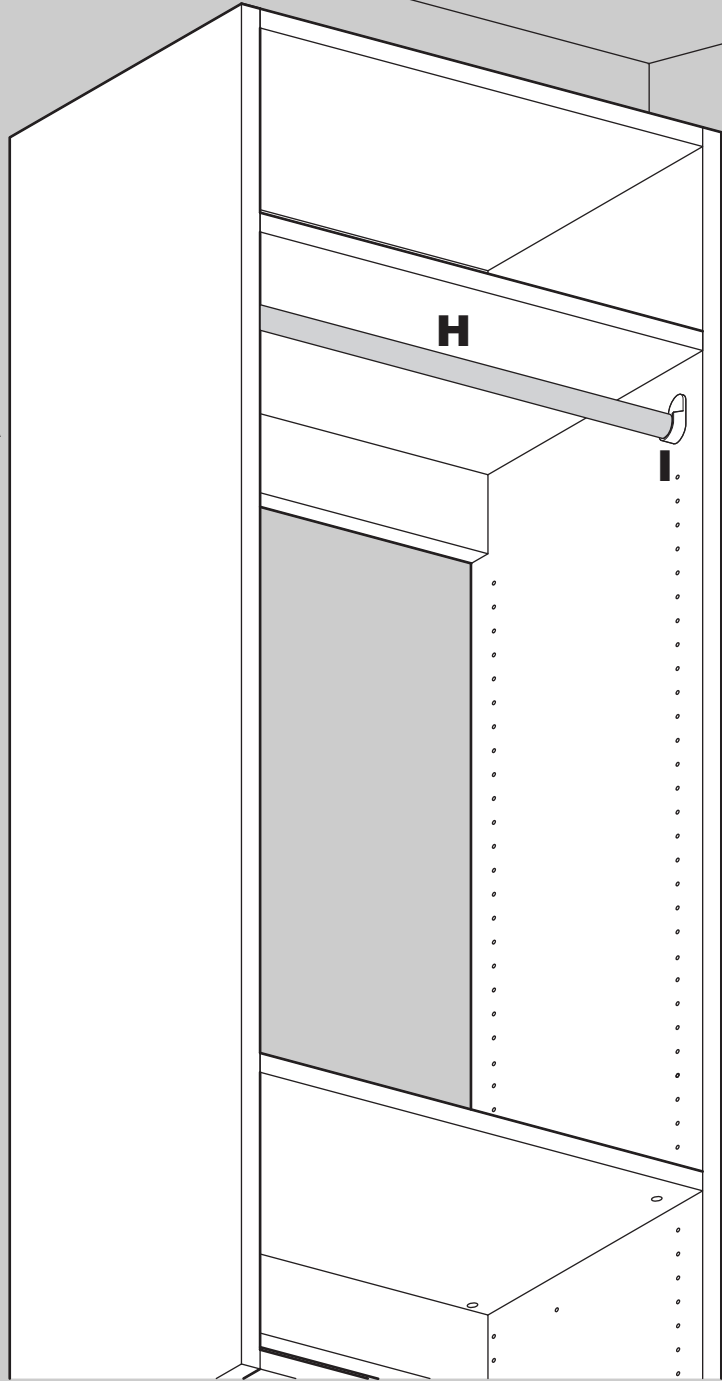


## MODULAR CLOSETS

# 10



A



B

**NOTE:** Use care when installing Hanging Rod (H) to avoid scratching finish inside unit.

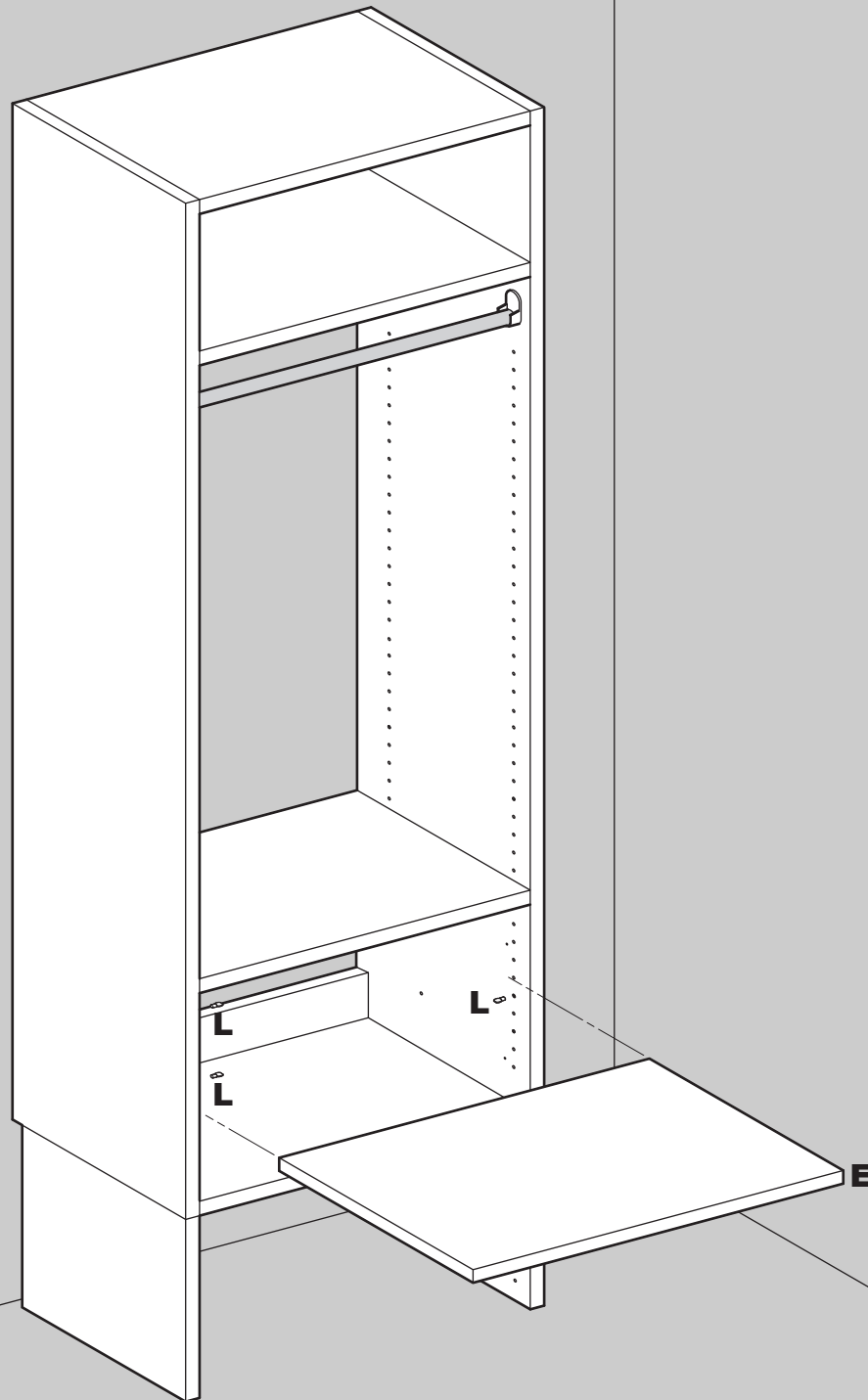
**10.1** Lower Hanging Rod (H) into Rod Brackets (I) on Left Side Panel (A) and Right Side Panel (B).

# ASSEMBLY AND INSTALLATION INSTRUCTIONS HANGING TOWER



MODULAR  
CLOSETS

11



**11.1** Insert eight Shelf Pins (L) into pin holes inside the Tower at the desired height.

**11.2** Rest Adjustable Shelves (E) on Shelf Pins (L).