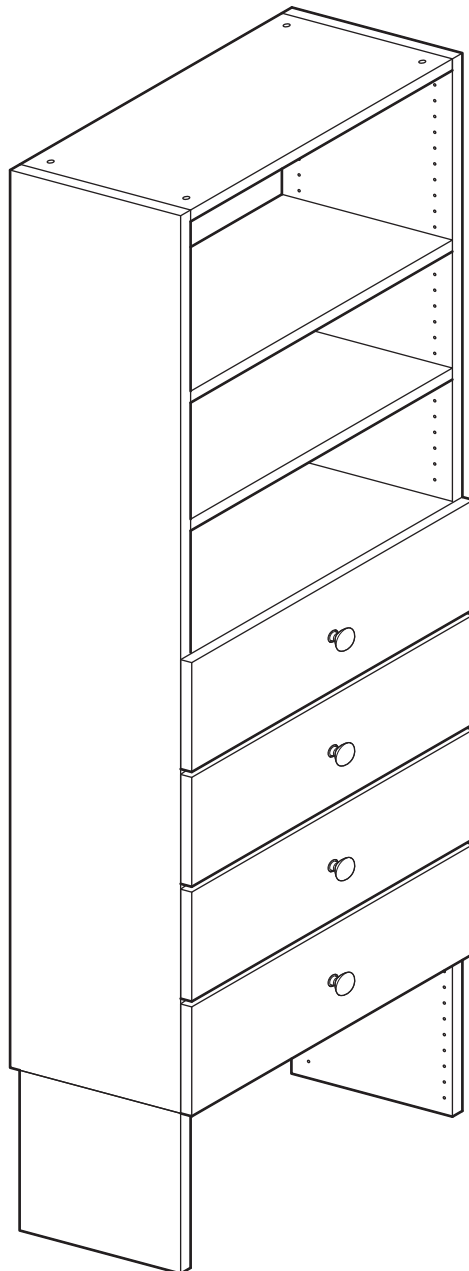




**MODULAR
CLOSETS**

1-844-969-4247 support@modularclosets.com

DRAWER KITS



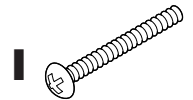
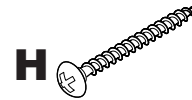
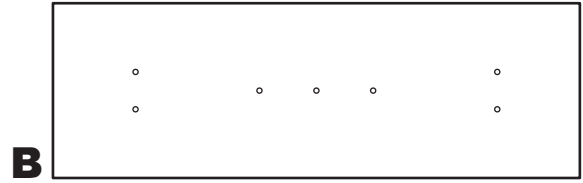
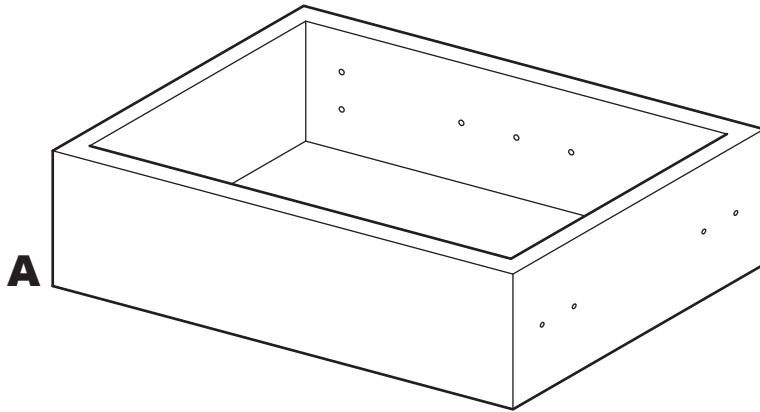
ASSEMBLY AND INSTALLATION INSTRUCTIONS

ASSEMBLY AND INSTALLATION INSTRUCTIONS DRAWER KITS



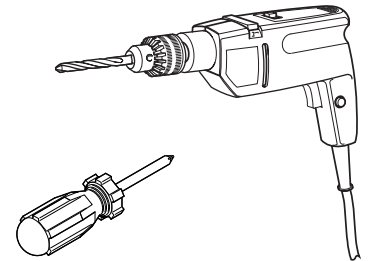
MODULAR CLOSETS

1



PARTS LIST

- | | |
|-------------------------------|------------------------------|
| A Drawer (Qty 2) | F Screw, 5/8" (Qty 8) |
| B Drawer Front (Qty 2) | G Screw, 5/8" (Qty 8) |
| C Drawer Slide (Qty 4) | H Screw, 1.0" (Qty 4) |
| D Shelf Slide (Qty 4) | I Screw, 1.5" (Qty 2) |
| E Drawer Knob (Qty 2) | |



TOOLS REQUIRED

(not included)

Drill, 5/32" bit size
Phillips Screwdriver

NOTE: Each set of Drawer Slides (C) and Shelf Slides (D) are shipped assembled. To separate, lift the plastic catch on the Drawer Slide and pull the Slide out of the Shelf Slide.

1.1 Lay parts out on a protective surface to prevent damage. *Tip: Spread out the cardboard packaging to use as a protective surface.*

1.2 Inventory parts against the Parts List. Make sure all parts are present before proceeding.

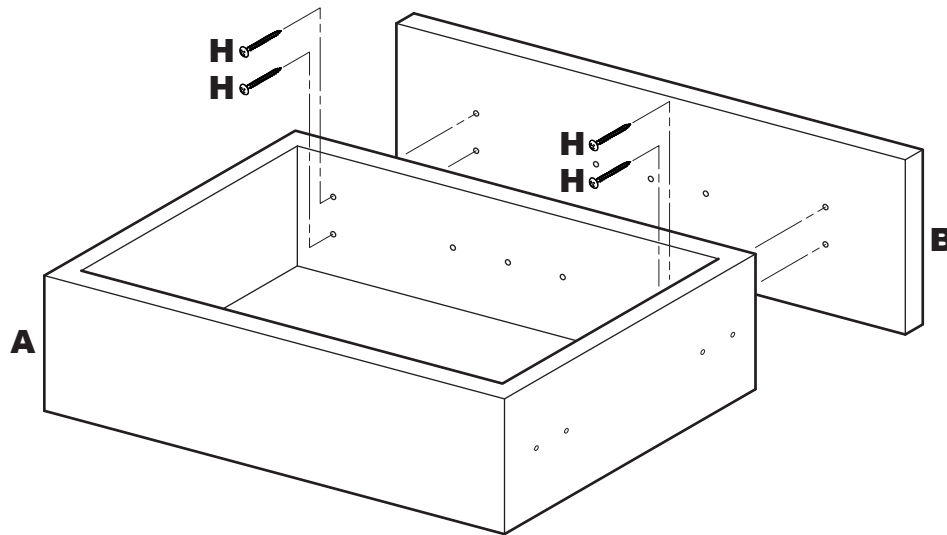
ASSEMBLY AND INSTALLATION INSTRUCTIONS

DRAWER KITS



MODULAR CLOSETS

2



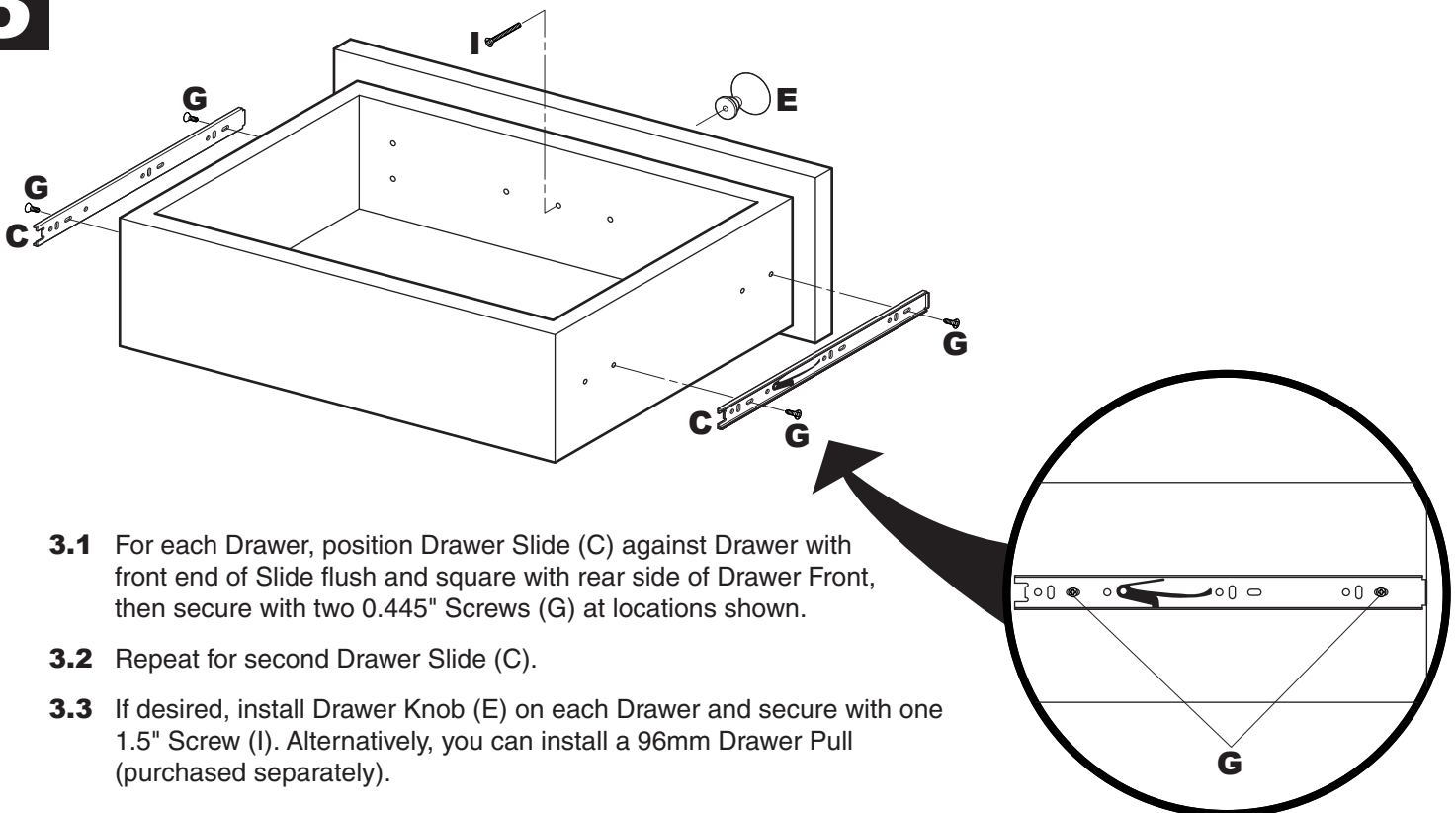
NOTE: DO NOT overtighten Screws (H) or surface of Drawer Fronts (B) may become dimpled.

2.1 Position Drawer Front (B) on each Drawer (A) and align mounting holes in Drawer Front with mating holes in Drawer.

Install one 1.0" Screw (H) and tighten just until Screw catches. Install second Screw (H) in diagonally opposite hole and tighten just until Screw catches.

Make sure remaining mounting holes are properly aligned, then install two remaining Screws (H) and tighten all Screws.

3



3.1 For each Drawer, position Drawer Slide (C) against Drawer with front end of Slide flush and square with rear side of Drawer Front, then secure with two 0.445" Screws (G) at locations shown.

3.2 Repeat for second Drawer Slide (C).

3.3 If desired, install Drawer Knob (E) on each Drawer and secure with one 1.5" Screw (I). Alternatively, you can install a 96mm Drawer Pull (purchased separately).

ASSEMBLY AND INSTALLATION INSTRUCTIONS

DRAWER KITS

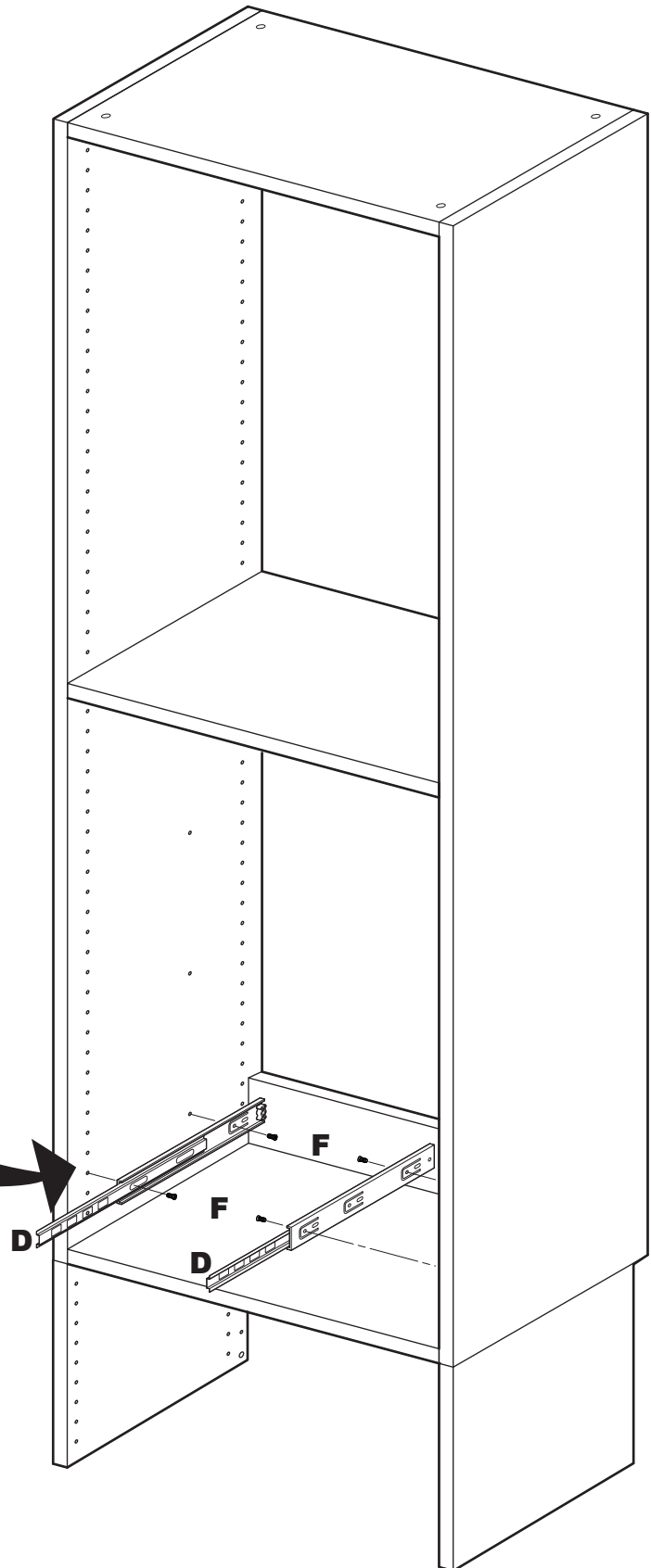
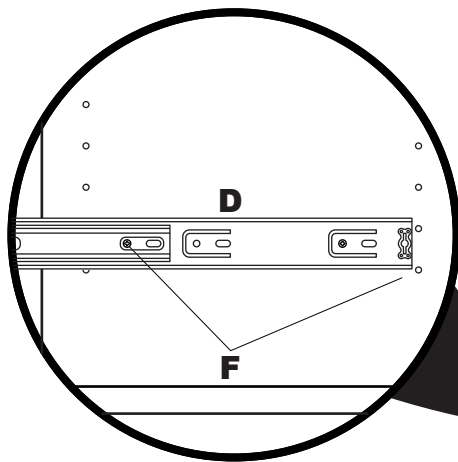


MODULAR CLOSETS

4

- 4.1** For each Drawer, position Shelf Slide (D) over pre-drilled holes in shelf side panel, then secure with two 5/8" Screws (F) at locations shown.
- 4.2** Repeat for second Shelf Slide (D).

Tip: For best results, use a small level to ensure Shelf Slides (D) are properly positioned before tightening.



ASSEMBLY AND INSTALLATION INSTRUCTIONS

DRAWER KITS



MODULAR CLOSETS

5

5.1 Slide each Drawer onto Shelf Slides until slides latch.

