



MODULAR CLOSETS

1-844-969-4247

support@modularclosets.com

SHELF AND ROD KIT

24" / 30" / 36" / 48" / 60"

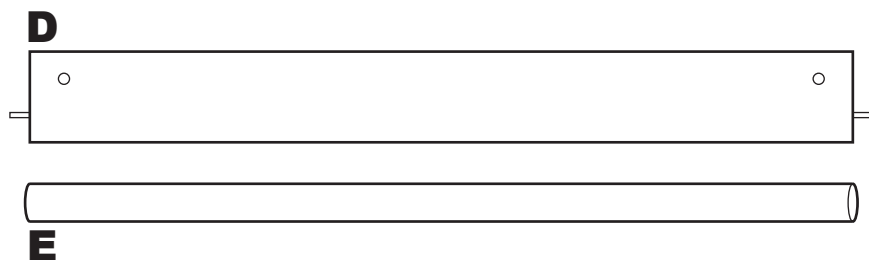
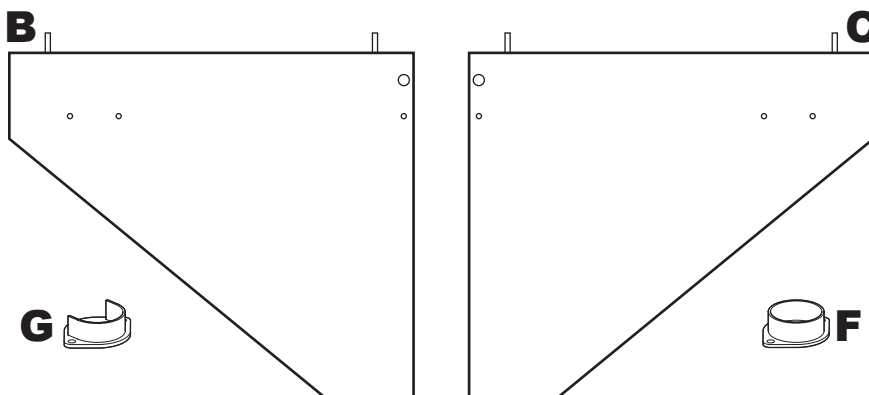


ASSEMBLY AND INSTALLATION INSTRUCTIONS

ASSEMBLY AND INSTALLATION INSTRUCTIONS

SHELF AND ROD KIT - 24" / 30" / 36" / 48" / 60"

1



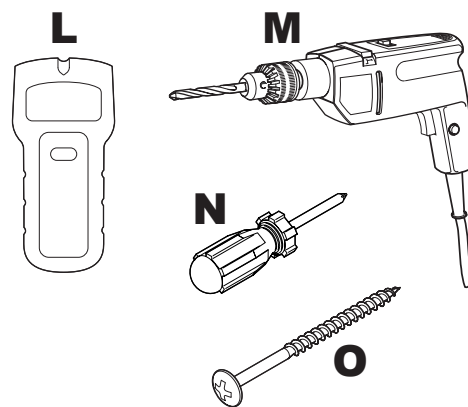
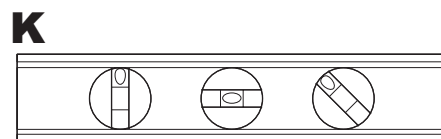
PARTS LIST

- A** Top Shelf
- B** Left Side Panel
- C** Right Side Panel
- D** Rear Cleat
- E** Rod
- F** "O" Rod Bracket
- G** "U" Rod Bracket
- H** Cam Post (Qty 2)
- I** Camlock (Qty 2)
- J** Screw (Qty 4)

TOOLS REQUIRED

(purchased separately)

- K** Level
- L** Stud Finder
- M** Drill, 3/32" bit size
- N** Phillips Screwdriver
- O** Screws, 3"



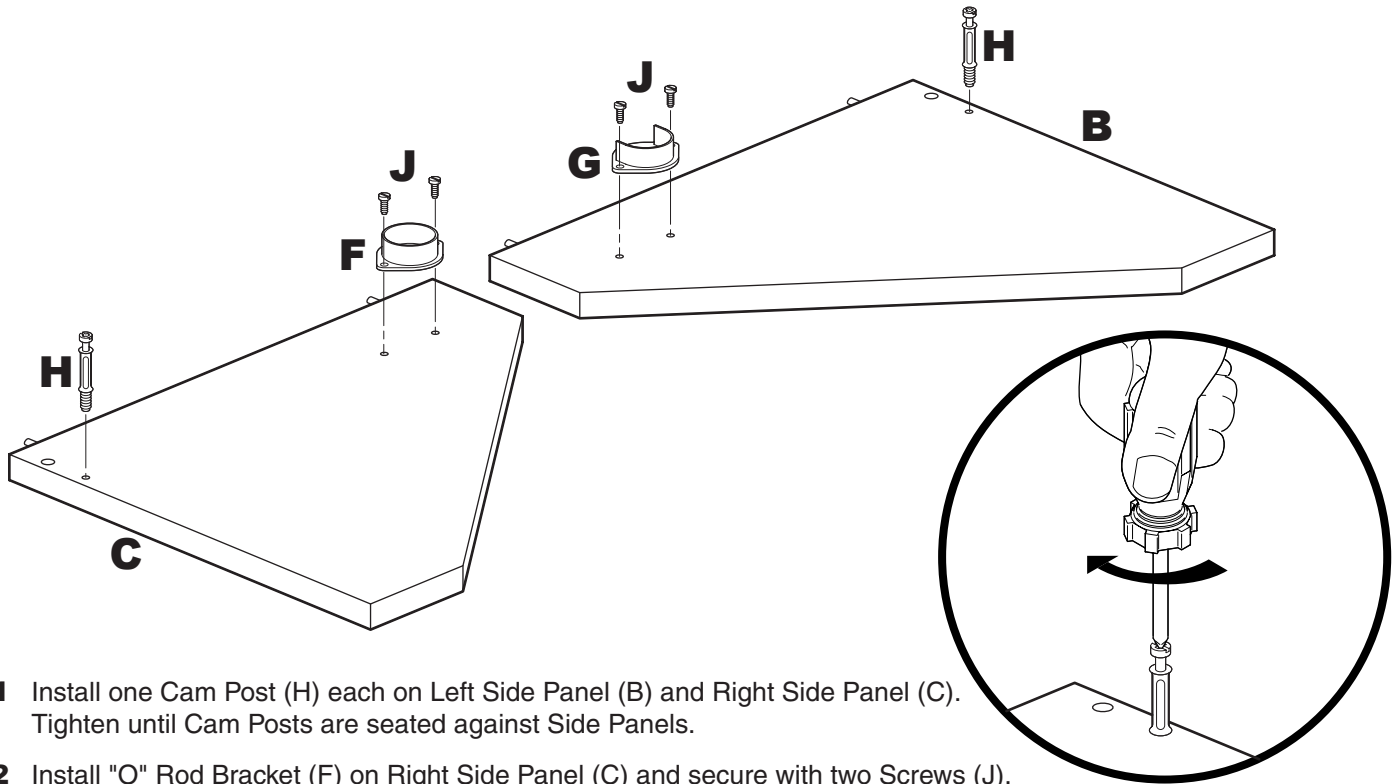
NOTE: The 60" Shelf and Rod Kit includes an extra Center Brace (not illustrated). See Step 8A for more information.

- 1.1** Lay parts out on a protective surface to prevent damage. *Tip: Spread out the cardboard packaging to use as a protective surface.*
- 1.2** Inventory parts against the Parts List. Make sure all parts are present before proceeding.

ASSEMBLY AND INSTALLATION INSTRUCTIONS

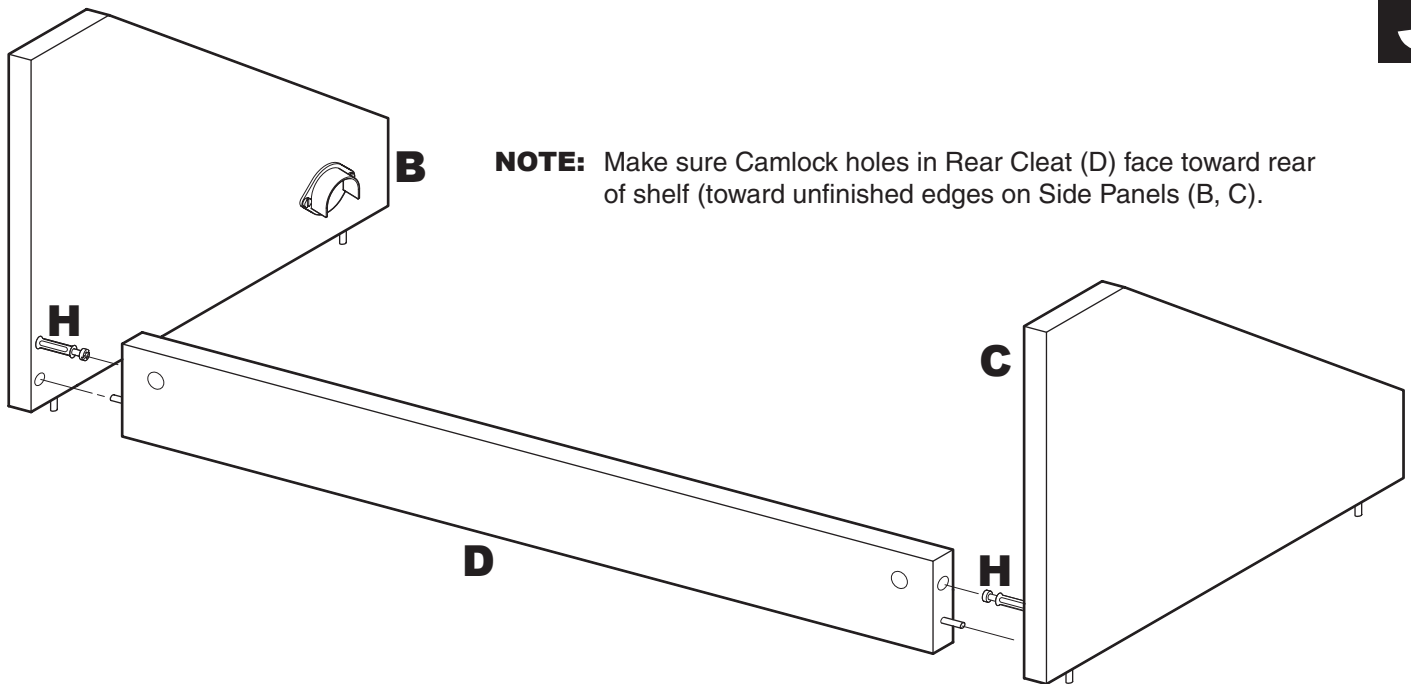
SHELF AND ROD KIT - 24" / 30" / 36" / 48" / 60"

2



- 2.1 Install one Cam Post (H) each on Left Side Panel (B) and Right Side Panel (C). Tighten until Cam Posts are seated against Side Panels.
- 2.2 Install "O" Rod Bracket (F) on Right Side Panel (C) and secure with two Screws (J).
- 2.3 Install "U" Rod Bracket (G) on Left Side Panel (B) and secure with two Screws (J).

3



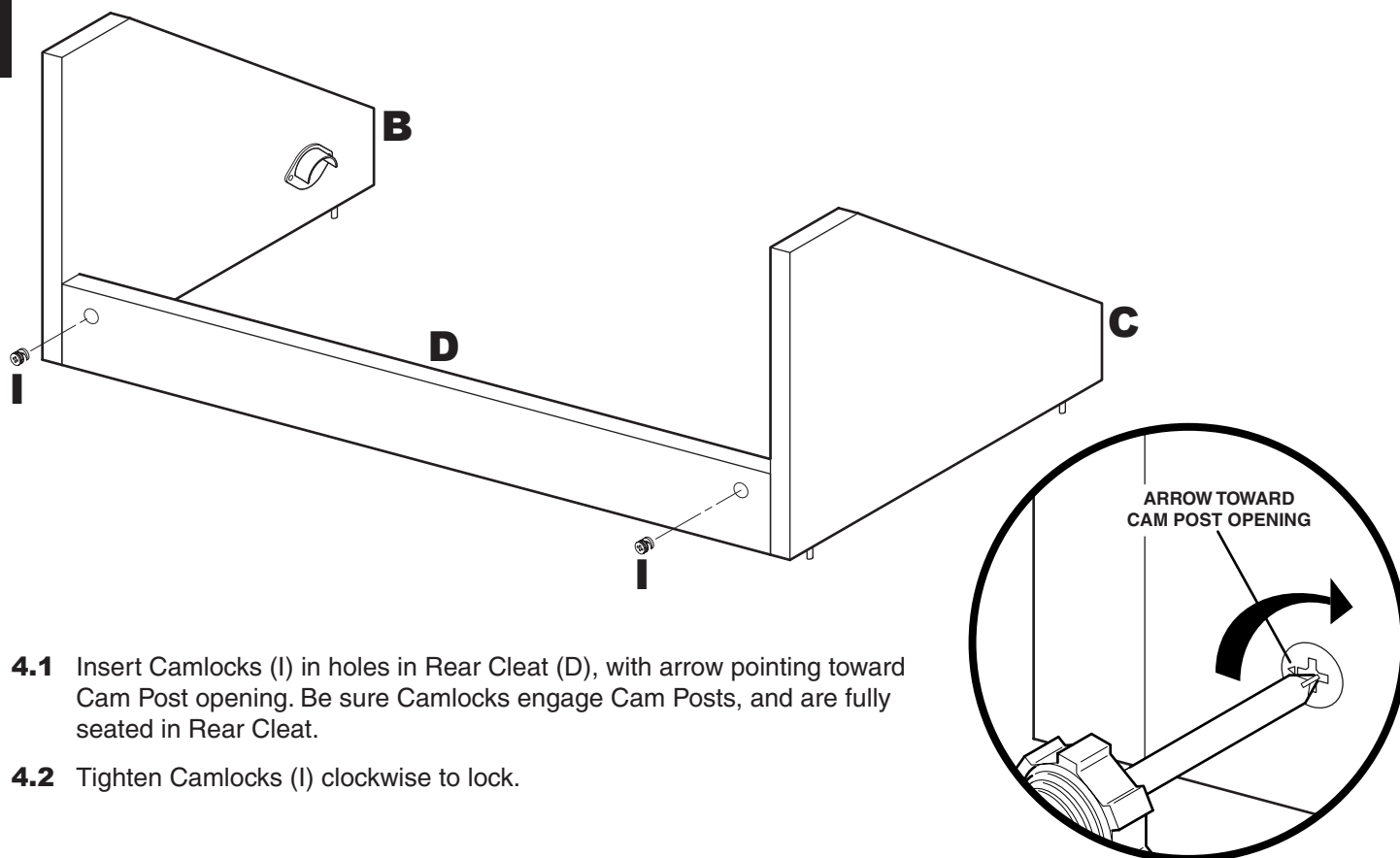
NOTE: Make sure Camlock holes in Rear Cleat (D) face toward rear of shelf (toward unfinished edges on Side Panels (B, C)).

- 3.1 Slide Cam Post (H) on Left Side Panel (B) into mating hole in end of Rear Cleat (D). Make sure Dowel Pin in Rear Cleat is aligned with mating hole in Side Panel, then press parts together until seated.
- 3.2 Slide Cam Post (H) on Left Side Panel (B) into mating hole in end of Rear Cleat (D). Make sure Dowel Pin in Rear Cleat is aligned with mating hole in Side Panel, then press parts together until seated.

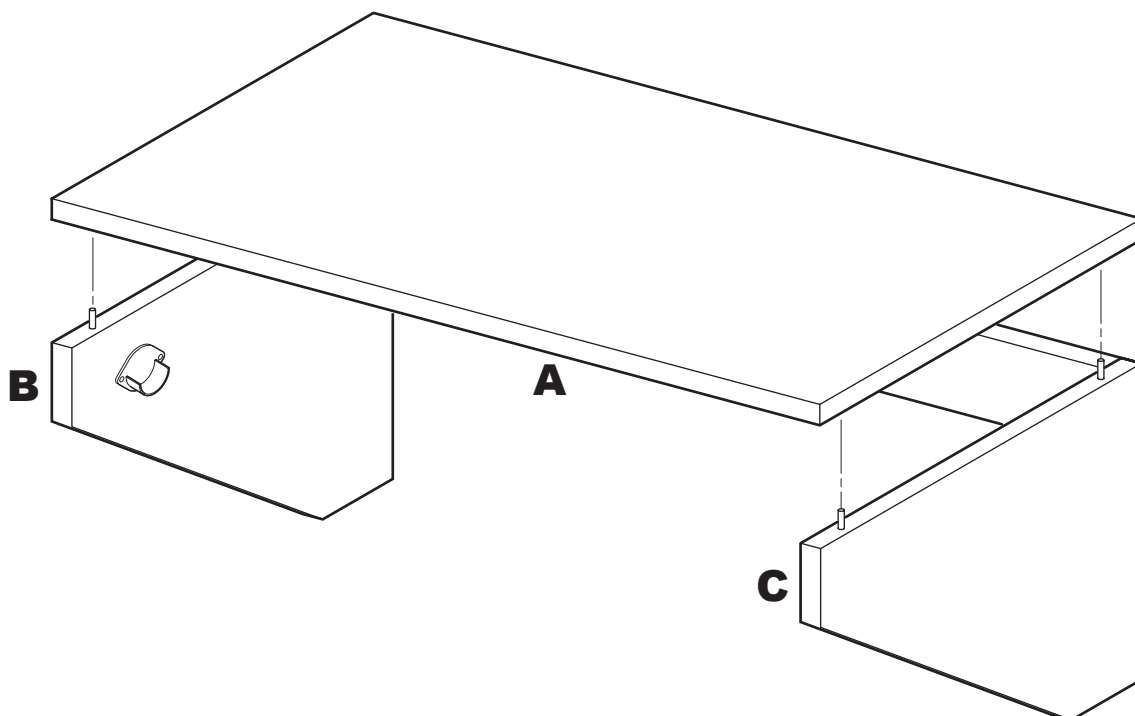
ASSEMBLY AND INSTALLATION INSTRUCTIONS

SHELF AND ROD KIT - 24" / 30" / 36" / 48" / 60"

4



5



- 5.1** Align dowel pins in Left Side Panel (B) and Right Side Panel (C) with holes in Top Shelf (A) and press Top Shelf onto assembled Side Panels.

ASSEMBLY AND INSTALLATION INSTRUCTIONS

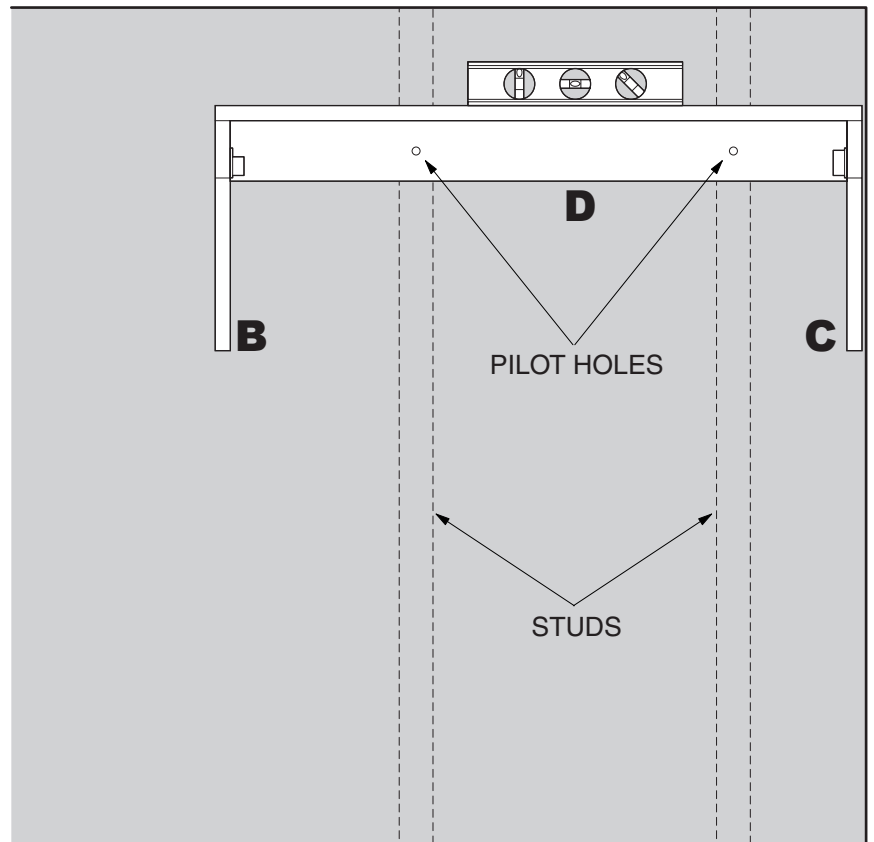
SHELF AND ROD KIT - 24" / 30" / 36" / 48" / 60"

6

INSTALLATION

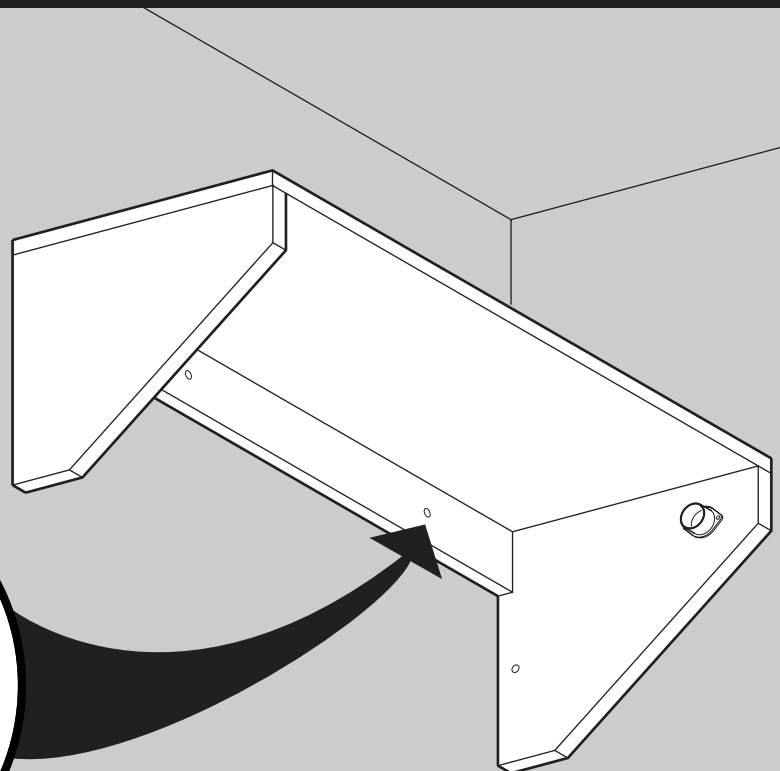
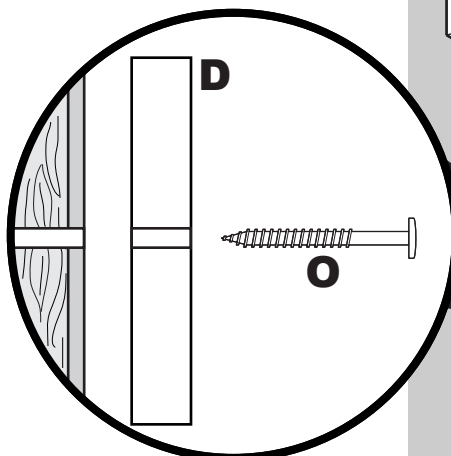
NOTE: This unit IS NOT recommended for "free standing" installations. Select a location where the Left Side Panel (B) or Right Side Panel (C) is flush to a wall, as illustrated.

- 6.1** Determine the mounting location for the shelf.
- 6.2** Using a stud finder, locate studs to which the shelf will be secured. Mark stud locations with a pencil.
- 6.3** With the shelf positioned at the desired location, level the shelf, then drill pilot holes through Rear Cleat (D), and Left or Right Side Panel (B, C), as applicable.



7

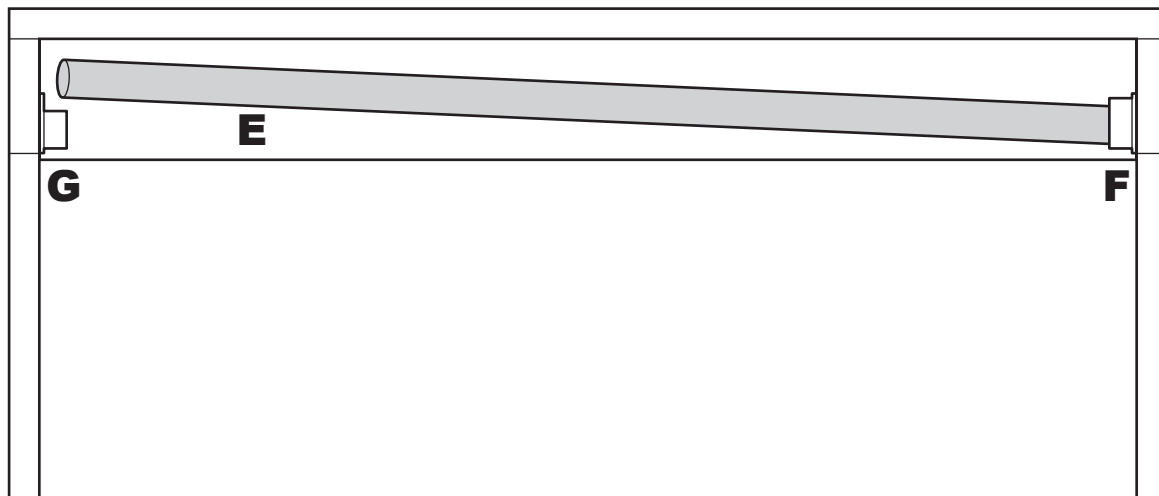
- 7.1** Secure Rear Cleat (D) and Left or Right Side Panel (B, C), as applicable, to studs using 3" Screws (O).



ASSEMBLY AND INSTALLATION INSTRUCTIONS

SHELF AND ROD KIT - 24" / 30" / 36" / 48" / 60"

8



- 8.1** Insert one end of Rod (E) into "O" Bracket (F) at an angle, then rotate and lower remaining end of Rod into "U" Bracket (G).

8A

For the 60" Shelf and Rod Kit only:

Drill two pilot holes through Center Brace Cleat, then secure to Center Brace using two screws (provided).

Slide Center Brace onto Rod before installing Rod. After installation of Rod, slide Center Brace to align with stud nearest center of shelf.

Drill pilot holes through Center Brace Cleat, then secure to studs using 3" Screws (O).

