

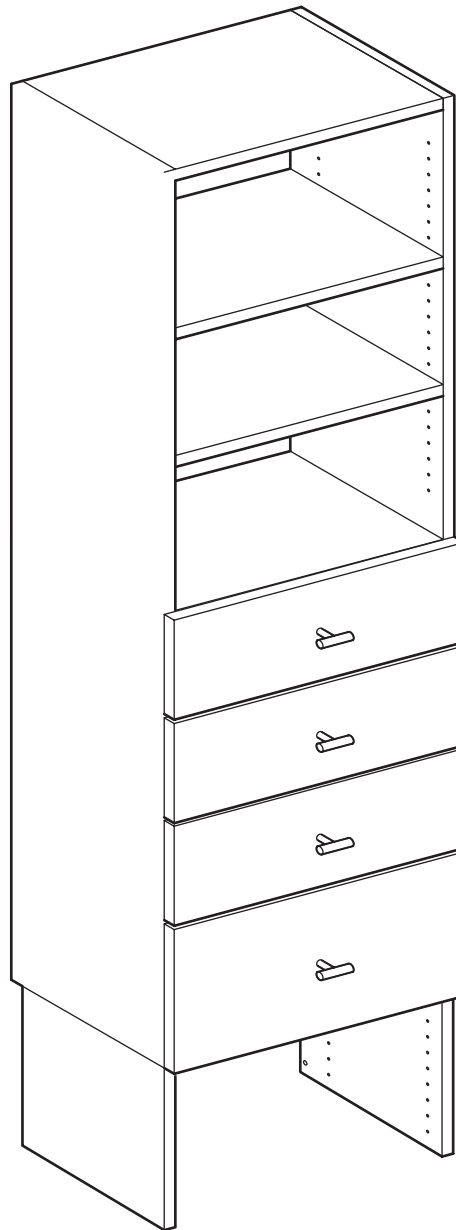


MODULAR CLOSETS

1-844-969-4247

support@modularclosets.com

# **DRAWER SET FOR TOP AND BOTTOM**

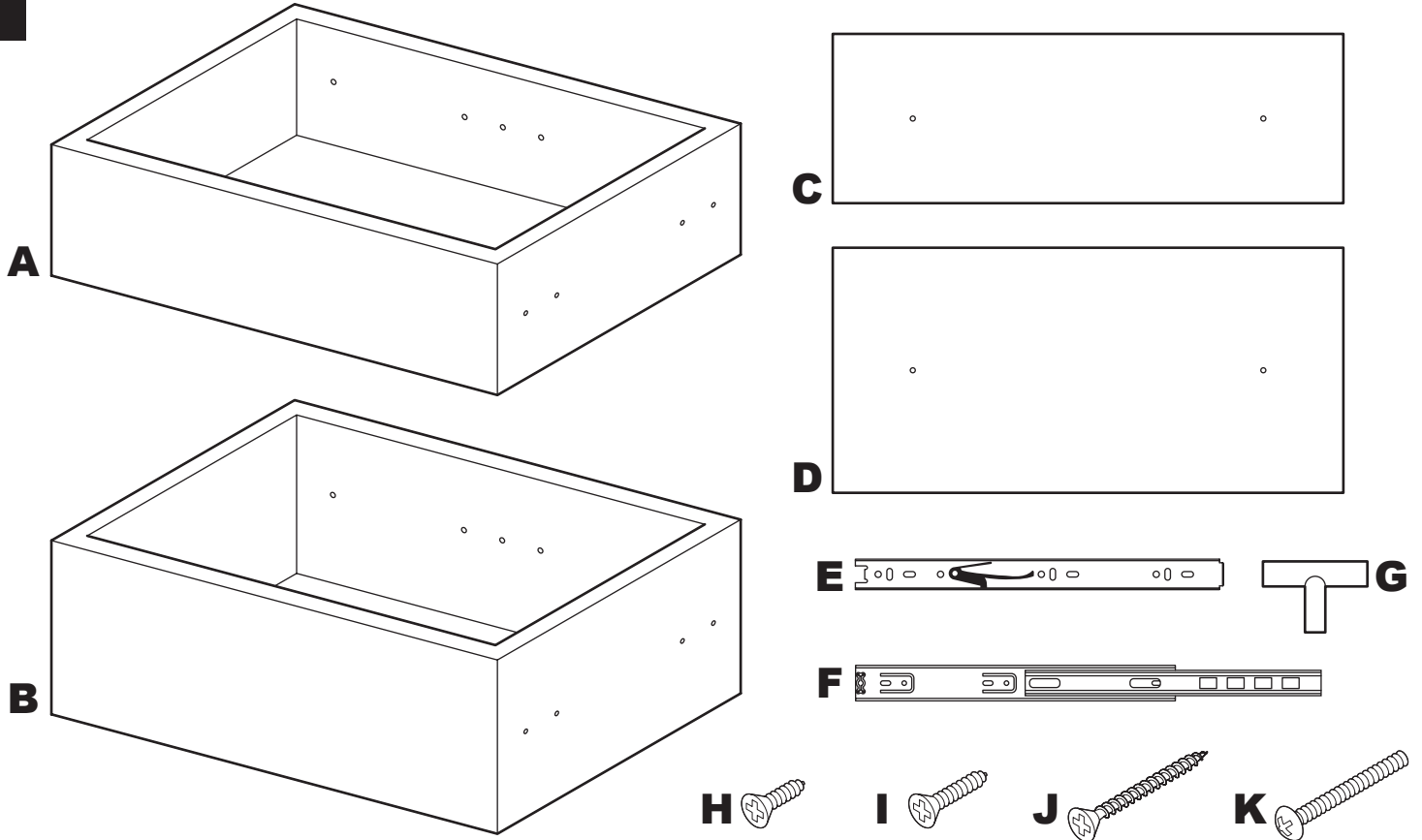


# **ASSEMBLY AND INSTALLATION INSTRUCTIONS**

# ASSEMBLY AND INSTALLATION INSTRUCTIONS

## DRAWER SET (FOR TOP AND BOTTOM)

1



### PARTS LIST

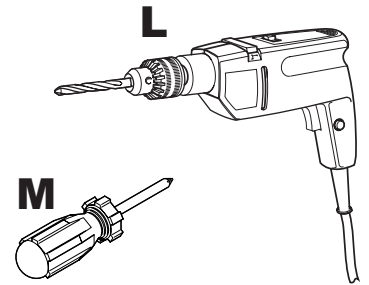
#### Bottom Drawer Kit

- A** Drawer, Small (Qty 1)
- B** Drawer, Large (Qty 1)
- C** Drawer Front, Small (Qty 1)
- D** Drawer Front, Large (Qty 1)
- E** Drawer Slide (Qty 4)
- F** Shelf Slide (Qty 4)
- G** Drawer Knob (Qty 2)
- H** Screw, 0.445" (Qty 8)
- I** Screw, 0.6" (Qty 8)
- J** Screw, 1.2" (Qty 4)
- K** Screw, 1.5" (Qty 2)

### PARTS LIST

#### Top Drawer Kit

- A** Drawer, Small (Qty 2)
- C** Drawer Front, Small (Qty 2)
- E** Drawer Slide (Qty 4)
- F** Shelf Slide (Qty 4)
- G** Drawer Knob (Qty 2)
- H** Screw, 0.445" (Qty 8)
- I** Screw, 0.6" (Qty 8)
- J** Screw, 1.2" (Qty 4)
- K** Screw, 1.5" (Qty 2)



### TOOLS REQUIRED

(not included)

- L** Drill, 5/32" bit size
- M** Phillips Screwdriver

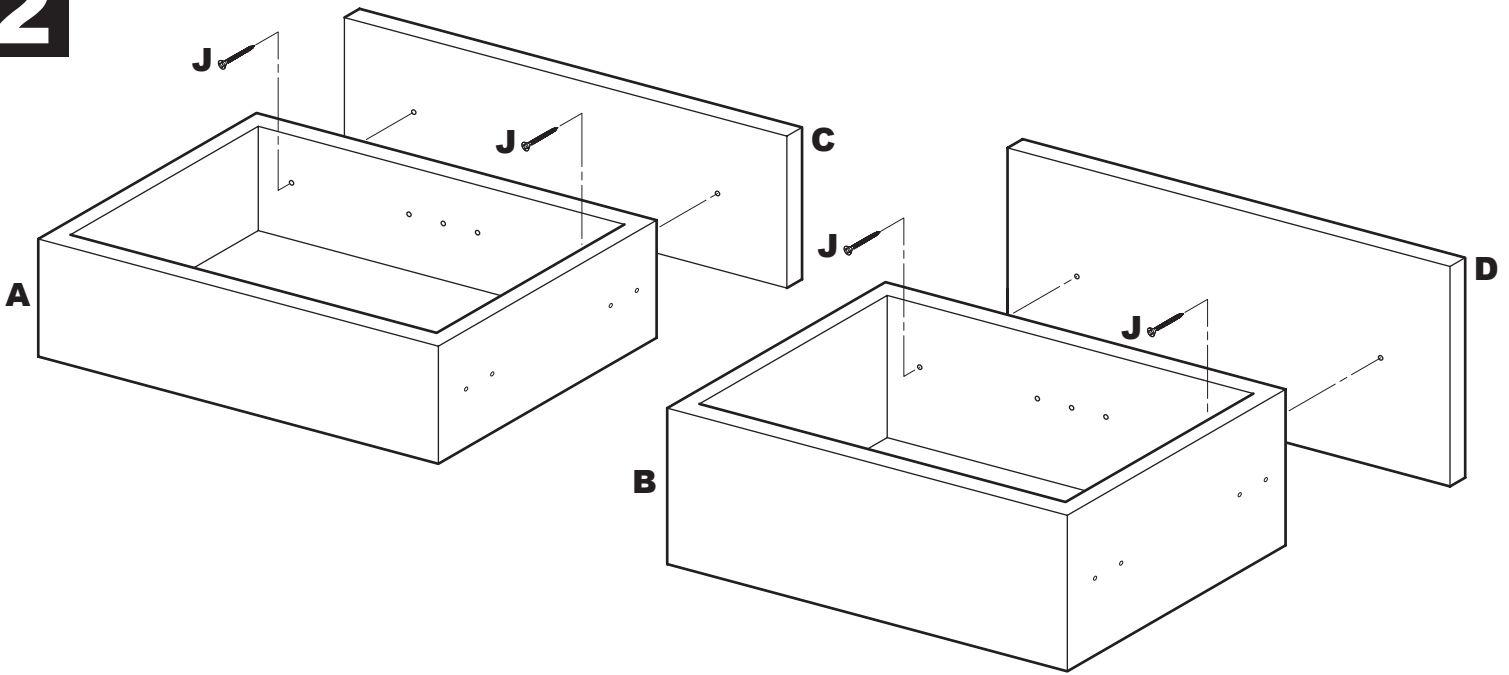
**NOTE:** Instructions are provided for Bottom Drawer Kit. Top Drawer Kit assembly and installation is similar.

**1.1** Lay parts out on a protective surface to prevent damage. *Tip: Spread out the cardboard packaging to use as a protective surface.*

**1.2** Inventory parts against the Parts List. Make sure all parts are present before proceeding.

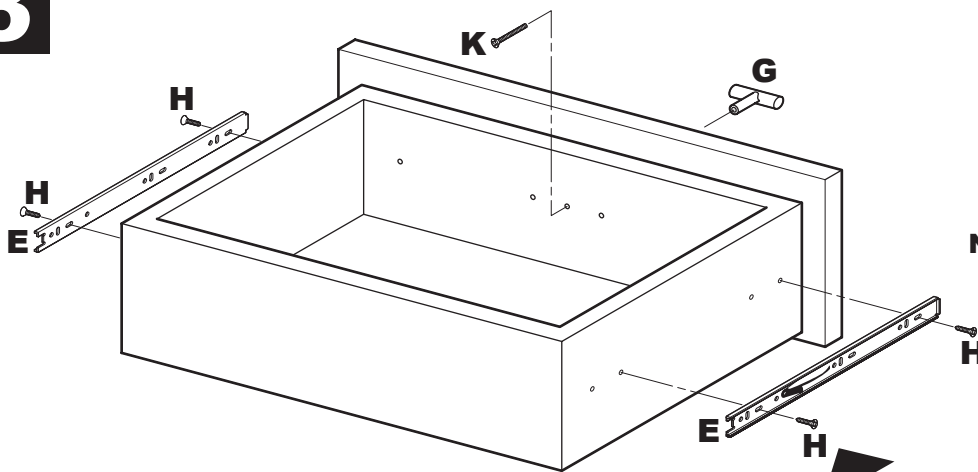
# ASSEMBLY AND INSTALLATION INSTRUCTIONS DRAWER SET (FOR TOP AND BOTTOM)

## 2



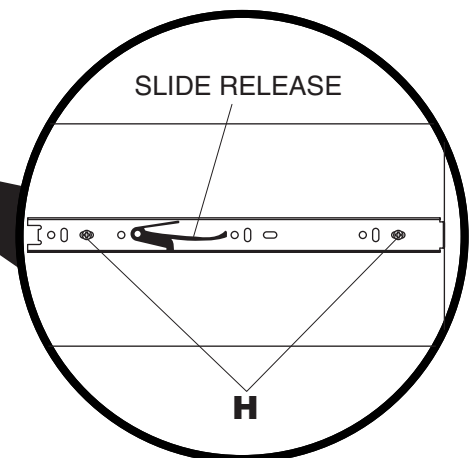
- 2.1** Position Small Drawer Front (C) on each Small Drawer (A) and secure with two 1.2" Screws (J).
- 2.2** Position Large Drawer Front (D) on Large Drawer (B) and secure with two 1.2" Screws (J).

## 3



**NOTE:** Drawer Slides (E) and Shelf Slides (F) are shipped assembled. Lift Slide Release to separate Drawer Slide from Shelf Slide.

- 3.1** For each Drawer, position Drawer Slide (E) against Drawer with front end of Slide flush and square with rear side of Drawer Front, then secure with two 0.445" Screws (H) at locations shown. Repeat for second Drawer Slide (E).
- 3.2** If desired, install Drawer Knob (H) on each Drawer: Using center hole in Drawer as a guide, use Drill (L) to drill a pilot hole through Drawer Front. Install Drawer Knob (H) on Drawer and secure with one 1.5" Screw (K). Alternatively, you can install a 96mm Drawer Pull (purchased separately) using the holes to the left and right of center



# ASSEMBLY AND INSTALLATION INSTRUCTIONS

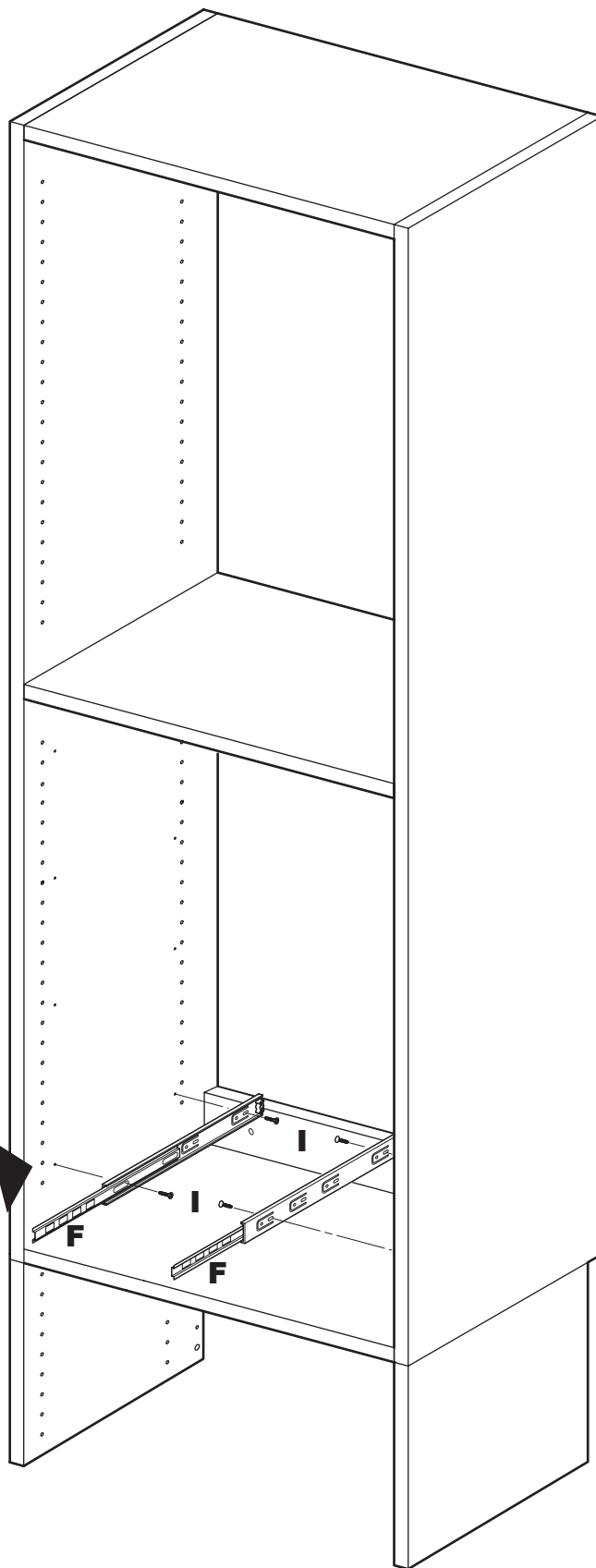
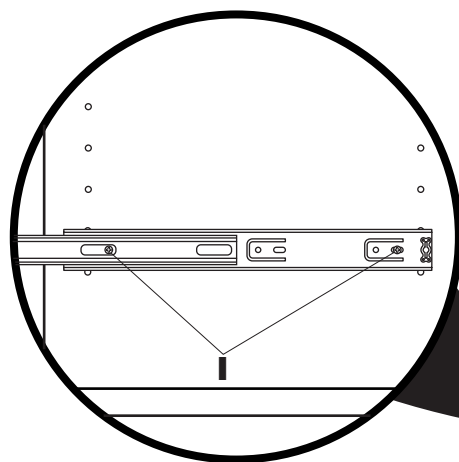
## 2-DRAWER KITS

**4**

**4.1** For each Drawer, position Shelf Slide (F) over pre-drilled holes in shelf side panel, then secure with two 0.6" Screws (I) at locations shown.

**4.2** Repeat for second Shelf Slide (F).

*Tip: For best results, use a small level to ensure Shelf Slides (F) are properly positioned before tightening.*



# ASSEMBLY AND INSTALLATION INSTRUCTIONS

## DRAWER SET (FOR TOP AND BOTTOM)

**5**

**5.1** Slide each Drawer onto Shelf Slides until slides latch.

