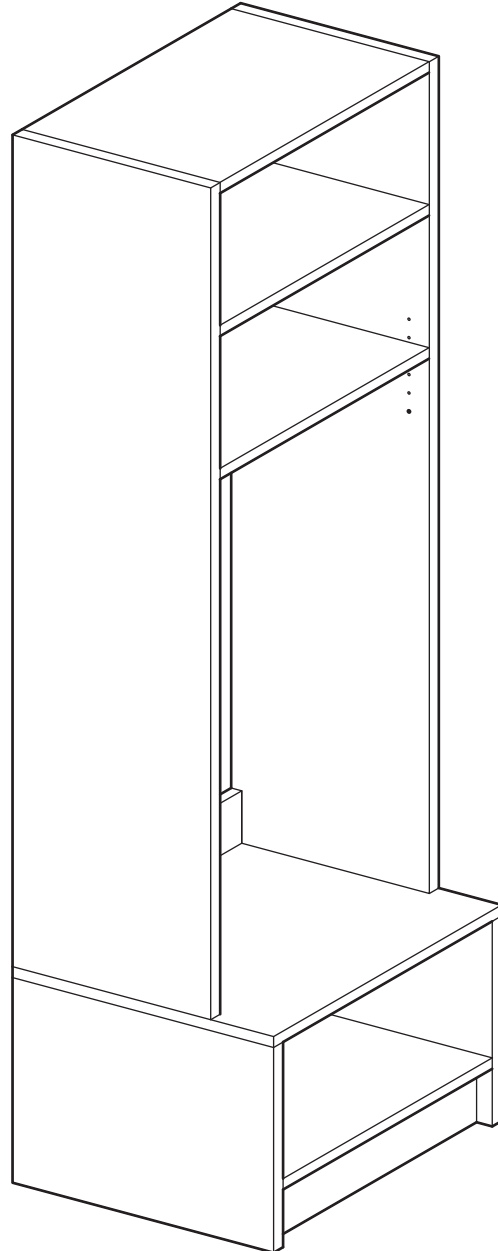
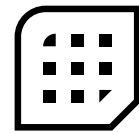


# MUDROOM



## ASSEMBLY AND INSTALLATION INSTRUCTIONS

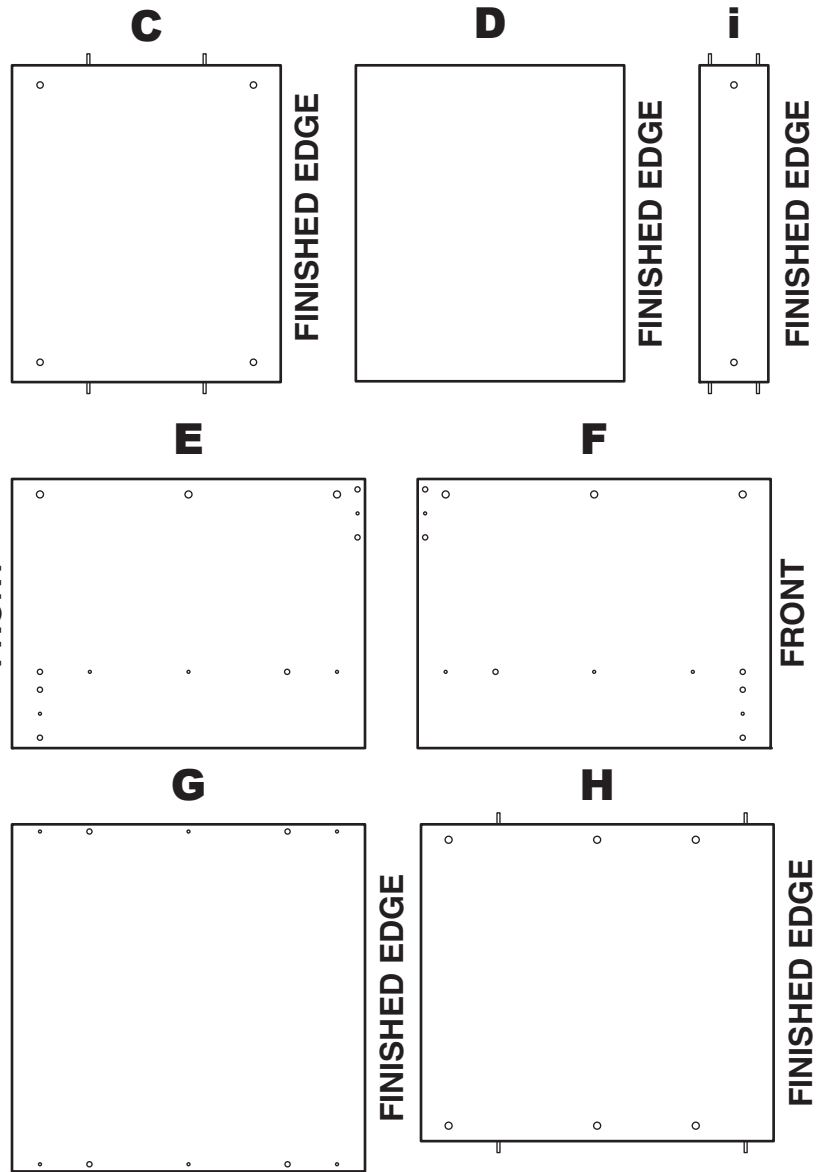
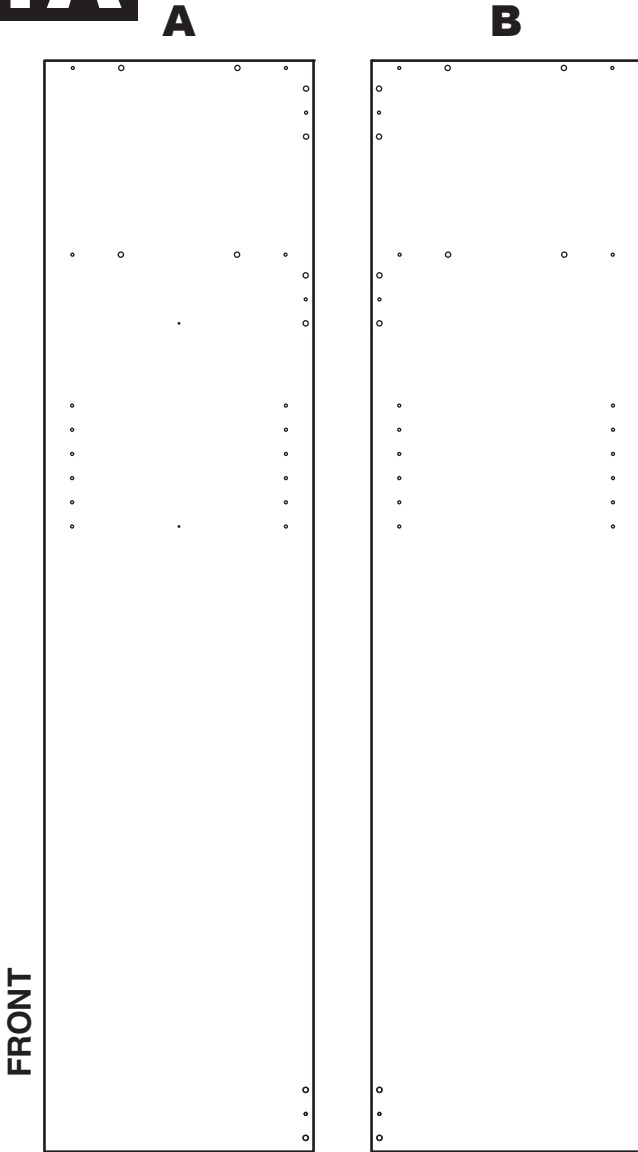
# ASSEMBLY AND INSTALLATION INSTRUCTIONS MUDROOM



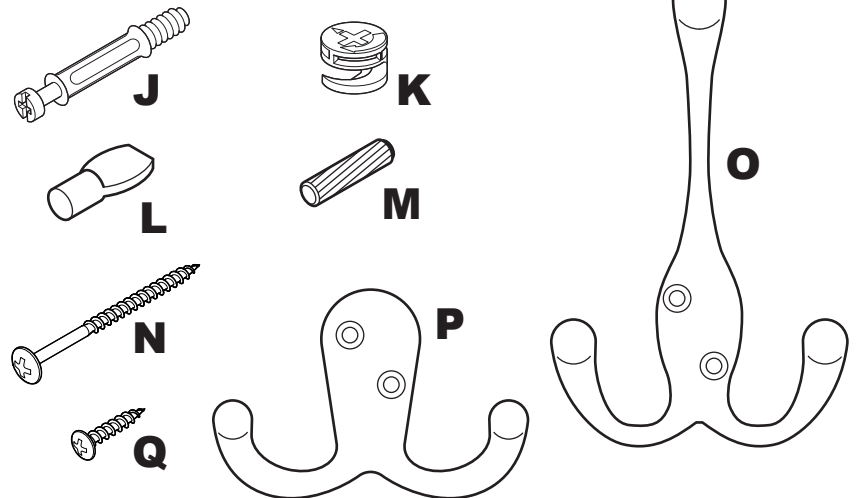
modular  
closets.

# 1A

## PARTS LIST



- A** Left Side Panel, Upper (Qty 1)
- B** Right Side Panel, Upper (Qty 1)
- C** Set Shelf, Upper (Qty 2)
- D** Adjustable Shelf, Upper (Qty 1)
- E** Left Side Panel, Bench (Qty 1)
- F** Right Side Panel, Bench (Qty 1)
- G** Top Shelf, Bench (Qty 1)
- H** Set Shelf, Bench (Qty 1)
- I** Cleat (Qty 5)
- J** Cam Post (Qty 30)
- K** Camlock (Qty 30)
- L** Shelf Pins (Qty 4)
- M** Wood Dowel, 8mm (Qty 8)
- N** Screw, 2.5" (Qty 2)
- O** Hook, 3-Prong (Qty 2)
- P** Hook, 2-Prong (Qty 1)
- Q** Screw, 0.75" (Qty 6)



# ASSEMBLY AND INSTALLATION INSTRUCTIONS MUDROOM

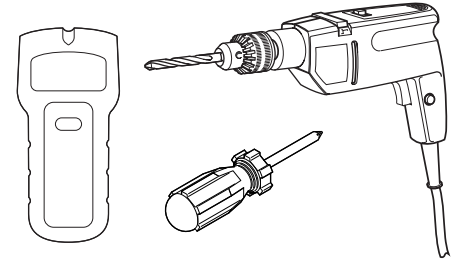
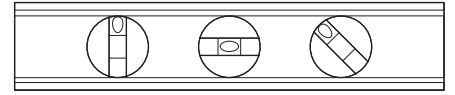


## 1B

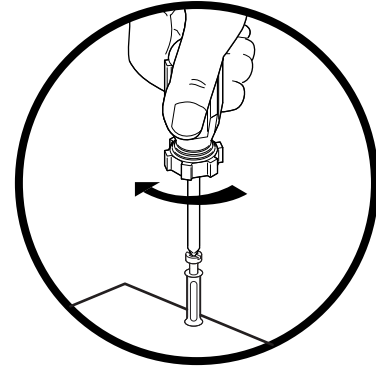
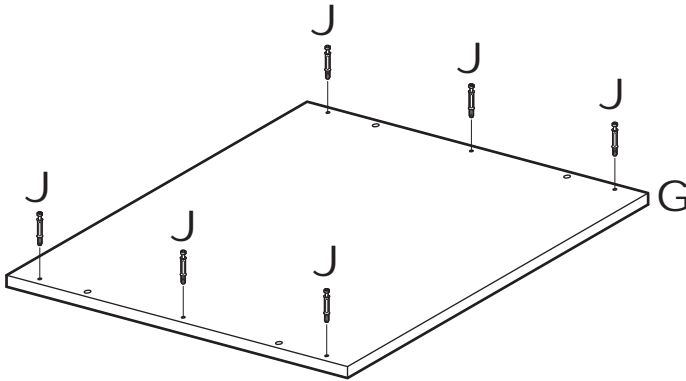
- 1.1 Lay parts out on a protective surface to prevent damage.  
**Tip:** Spread out the cardboard packaging to use as a protective surface.
- 1.2 Inventory parts against the Parts List. Make sure all parts are present before proceeding.

### TOOLS REQUIRED (not included unless noted)

Level  
Stud Finder  
Drill, 5/32" bit size  
Phillips Screwdriver

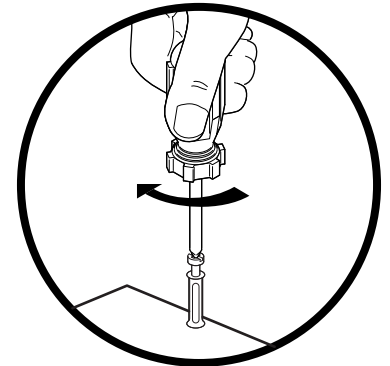
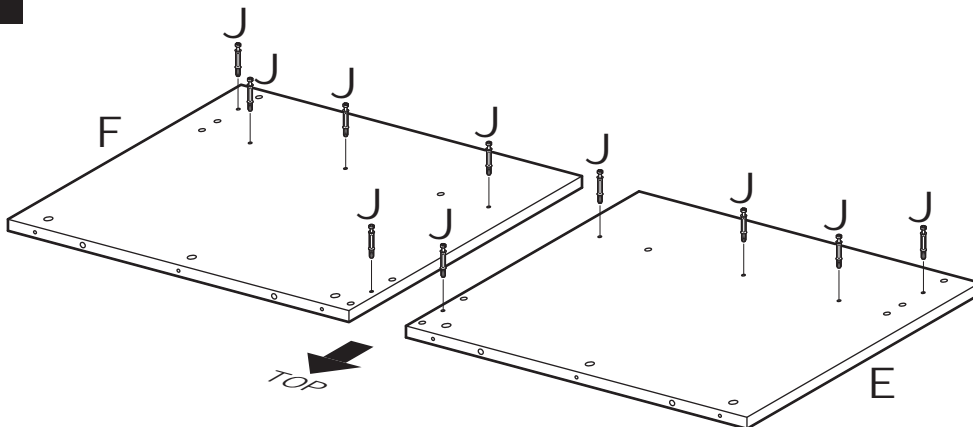


## 2



- 2.1 Install one Cam Post (J) into each of the 6 holes on Bench Top Shelf (G). Tighten until Cam Posts are seated against Top Shelf.

## 3



- 3.1 Install one Cam Post (J) into each of the 10 holes on Bench Left Side Panel (E) and Bench Right Side Panel (F). Tighten until Cam Posts are seated against Side Panels.

# ASSEMBLY AND INSTALLATION INSTRUCTIONS MUDROOM



## 4

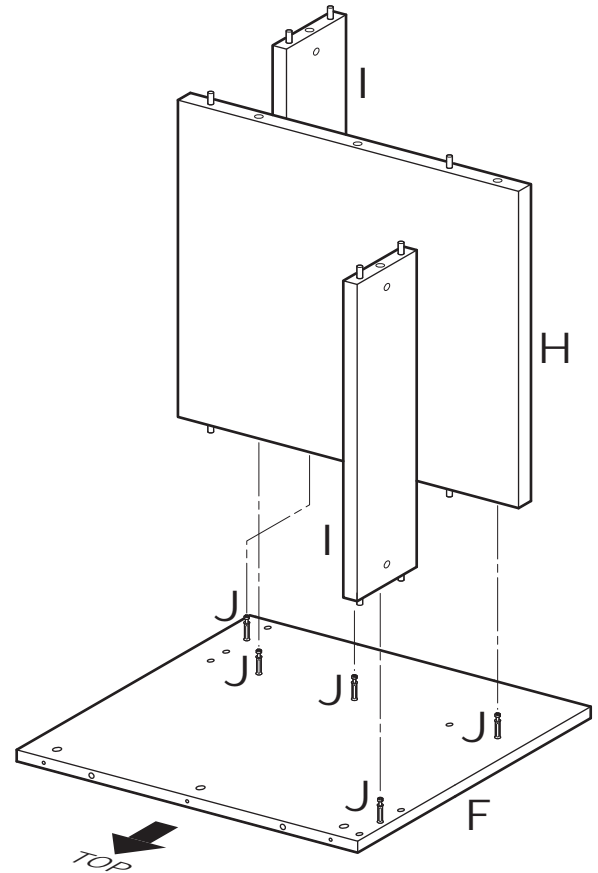
- 4.1 Assemble Bench Set Shelf (H), and two Cleats (I) onto Bench Right Side Panel (F) by sliding the Shelf and Cleats onto Cam Posts (J) on Right Side Panel. BE SURE dowel pins in Shelf and Cleats engage drilled holes in Right Side Panel, and all parts are pressed flush against Panel.

### IMPORTANT NOTES

Install Bench Set Shelf (H) with finished edge facing forward (toward front of unit) and holes for Cam Locks facing down (toward the bottom of the unit).

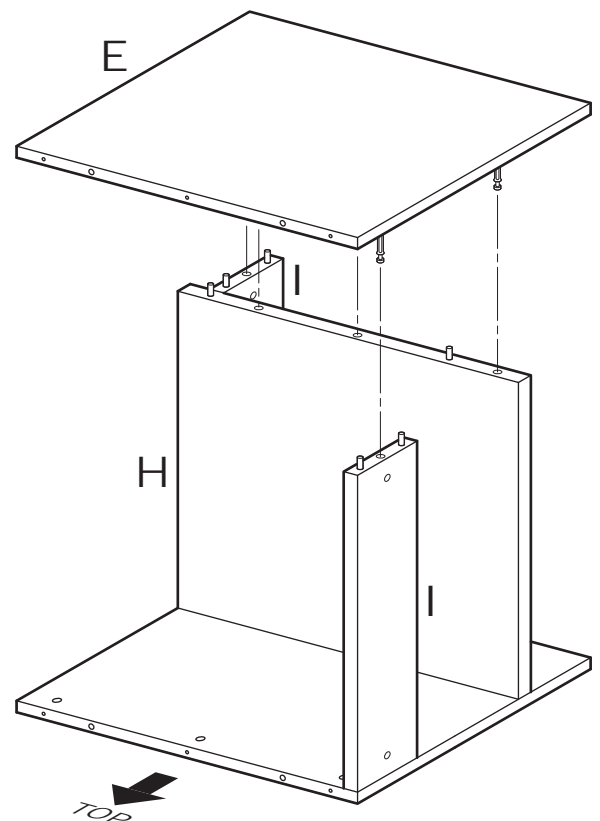
Install lower Cleat (I) with holes for Cam Locks facing the rear of the unit and the unfinished edge against Set Shelf (H).

Install upper Cleat (H) with holes for Cam Locks facing the rear of the unit and the unfinished edge facing the top of the unit.



## 5

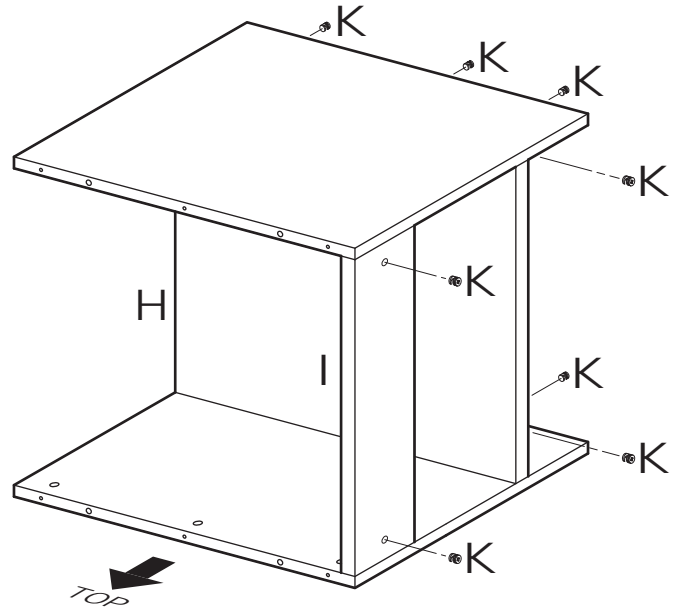
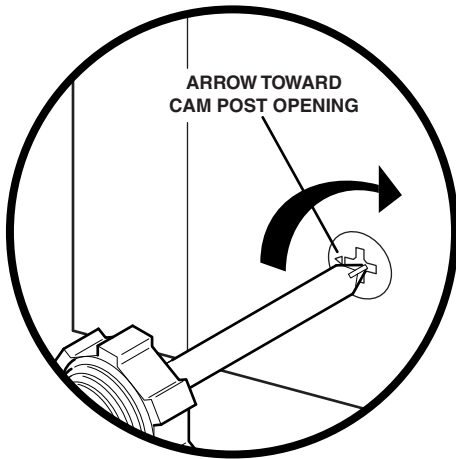
- 5.1 Install Bench Left Side Panel (E) onto assembled Set Shelf (H) and Cleats (I). BE SURE dowel pins in Shelf and Cleats engage drilled holes in Side Panel, and Side Panel is pressed flush against Set Shelf and Cleats.



# ASSEMBLY AND INSTALLATION INSTRUCTIONS MUDROOM

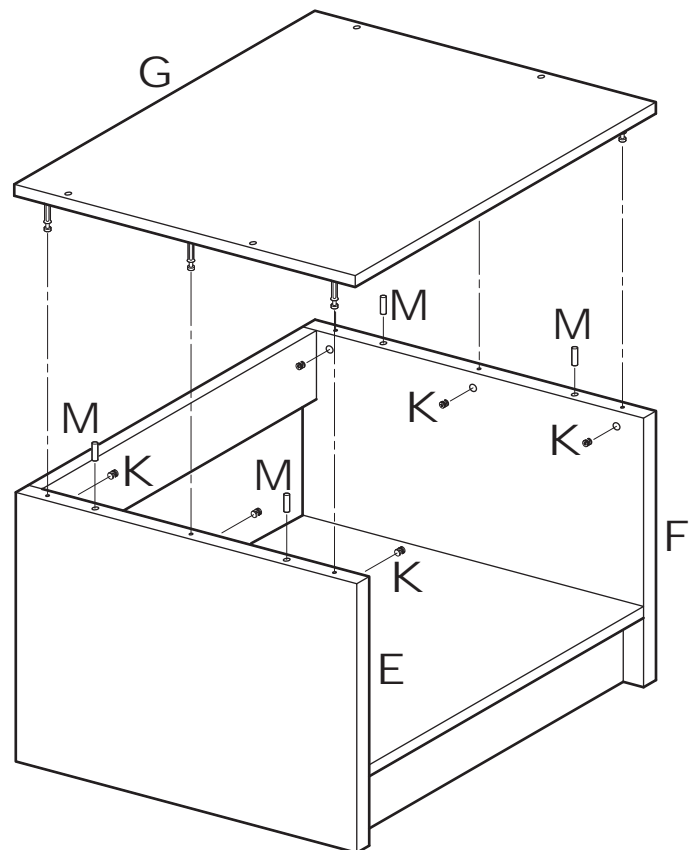
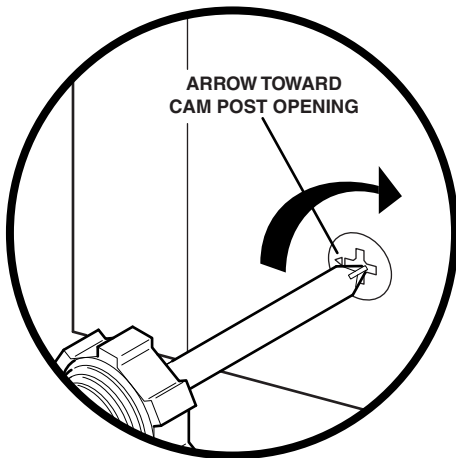


## 6



- 6.1 Insert Camlocks (K) in holes in Bench Set Shelf (H) and two Cleats (I) with arrow pointing toward Cam Post opening. Be sure Camlocks engage Cam Posts, and are fully seated in Shelf and Cleats.
- 6.2 Tighten Camlocks (K) clockwise to lock.

## 7

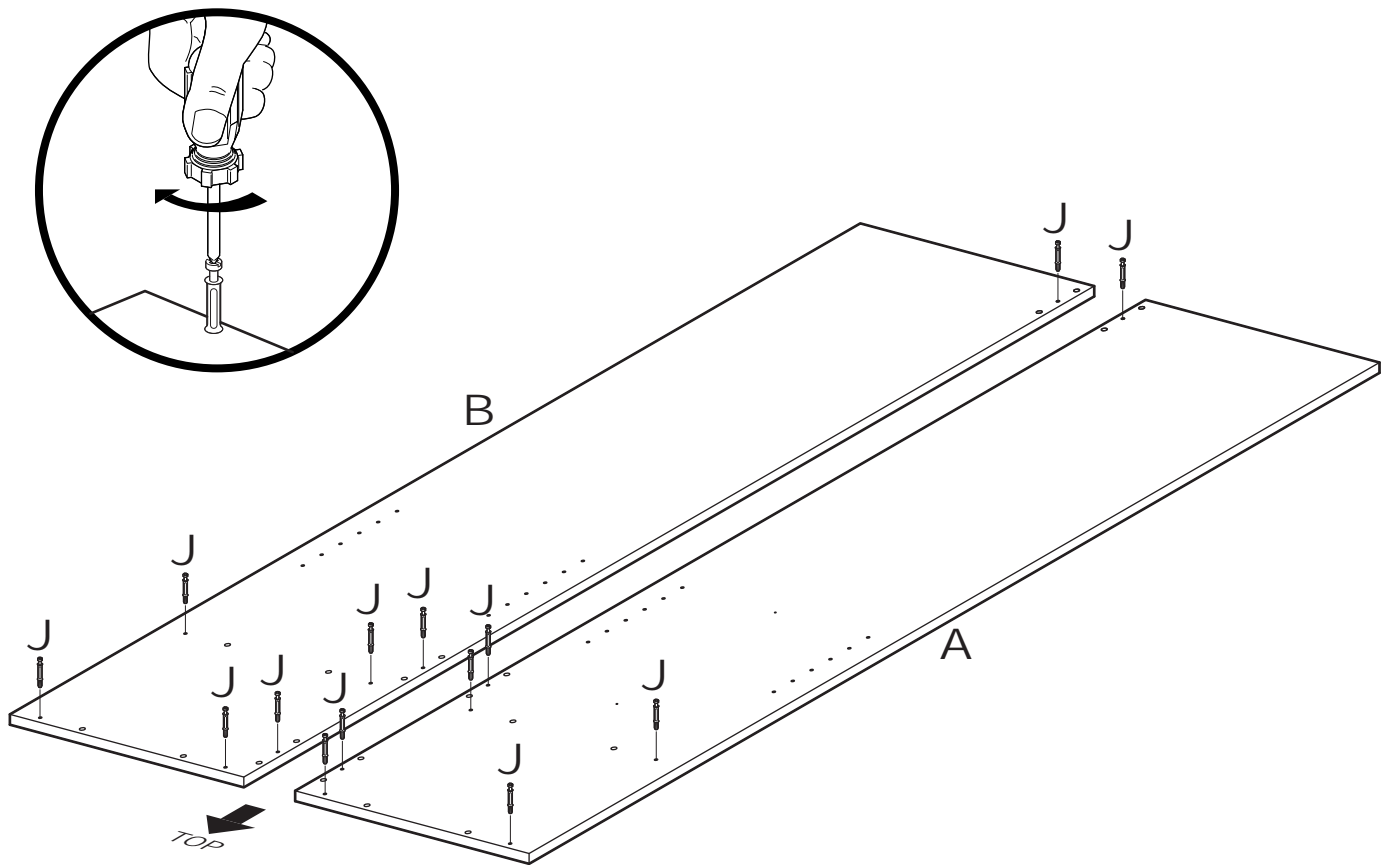


- 7.1 Insert four Wood Dowels (M) into holes in of Bench Left Side Panel (E) and Base Right Side Panel (F).
- 7.2 Install Bench Top Shelf (G) onto assembled Base. BE SURE Wood Dowels in Left Side Panel (E) and Right Side Panel (F) engage drilled holes in Top Shelf, and Top Shelf is pressed flush against Side Panels and Cleat (I).
- 7.3 Insert Camlocks (K) in holes in Bench Left Side Panel (E) and Bench Right Side Panel (F). BE SURE Camlocks engage Cam Posts, and are fully seated in Side Panels. Tighten Camlocks (K) clockwise to lock.

# ASSEMBLY AND INSTALLATION INSTRUCTIONS MUDROOM



8

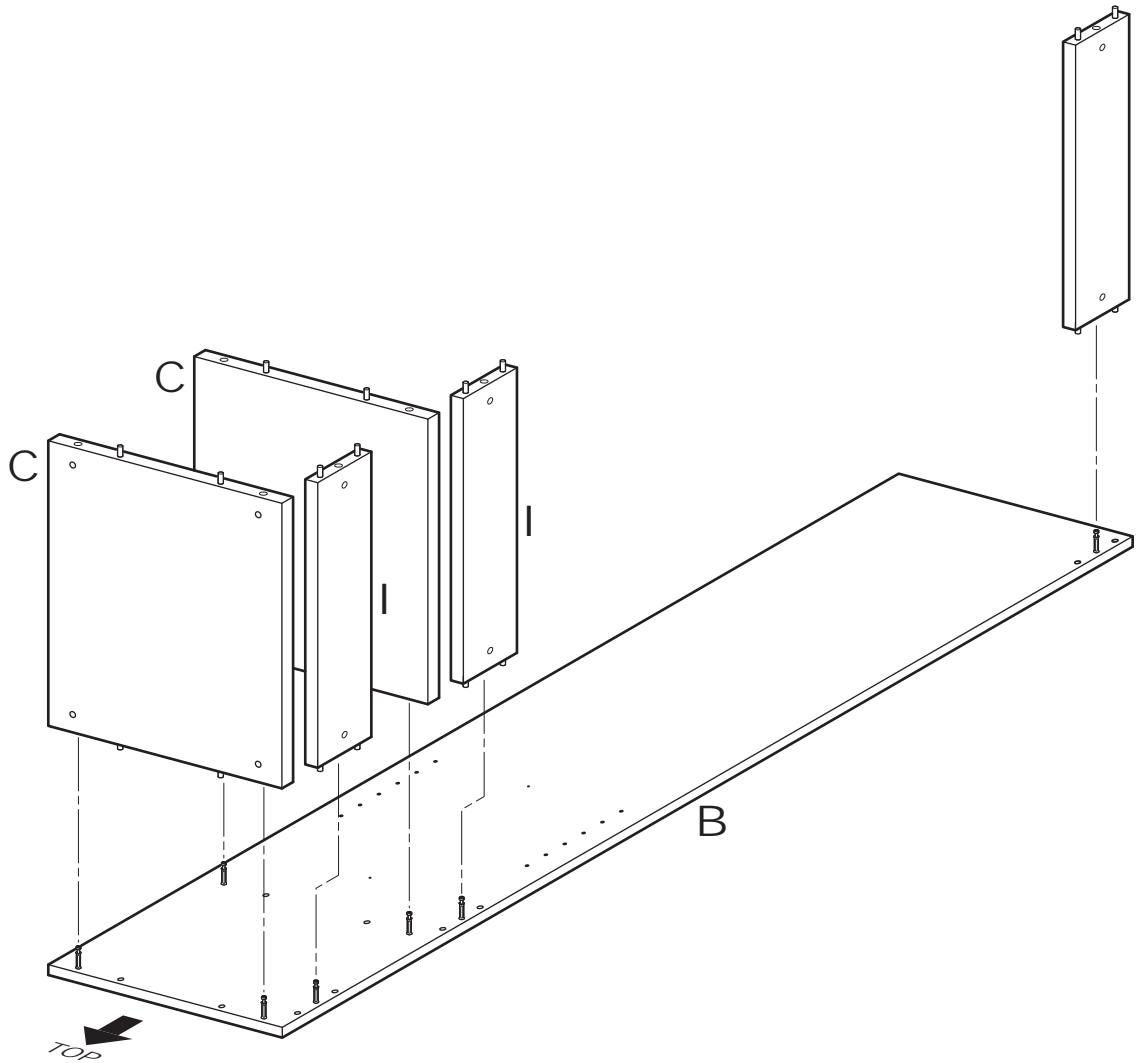


- 8.1 Install one Cam Post (J) into each of the 7 holes on Upper Left Side Panel (A) and Upper Right Side Panel (B). Tighten until Cam Posts are seated against Side Panels.

# ASSEMBLY AND INSTALLATION INSTRUCTIONS MUDROOM



9



- 9.1 Assemble Upper Set Shelves (C) and Cleats (I) onto Upper Right Side Panel (B) by sliding the Shelves and Cleats onto Cam Posts (J) on Right Side Panel. BE SURE dowel pins in Shelves and Cleats engage drilled holes in Right Side Panel, and all parts are pressed flush against Panel.

## IMPORTANT NOTES

Install the top Set Shelf (C) with finished edge facing forward (toward front of unit) and holes for Cam Locks facing the top of the unit.

Install the lower Set Shelf (C) with finished edge facing forward (toward front of unit) and holes for Cam Locks facing the bottom of the unit.

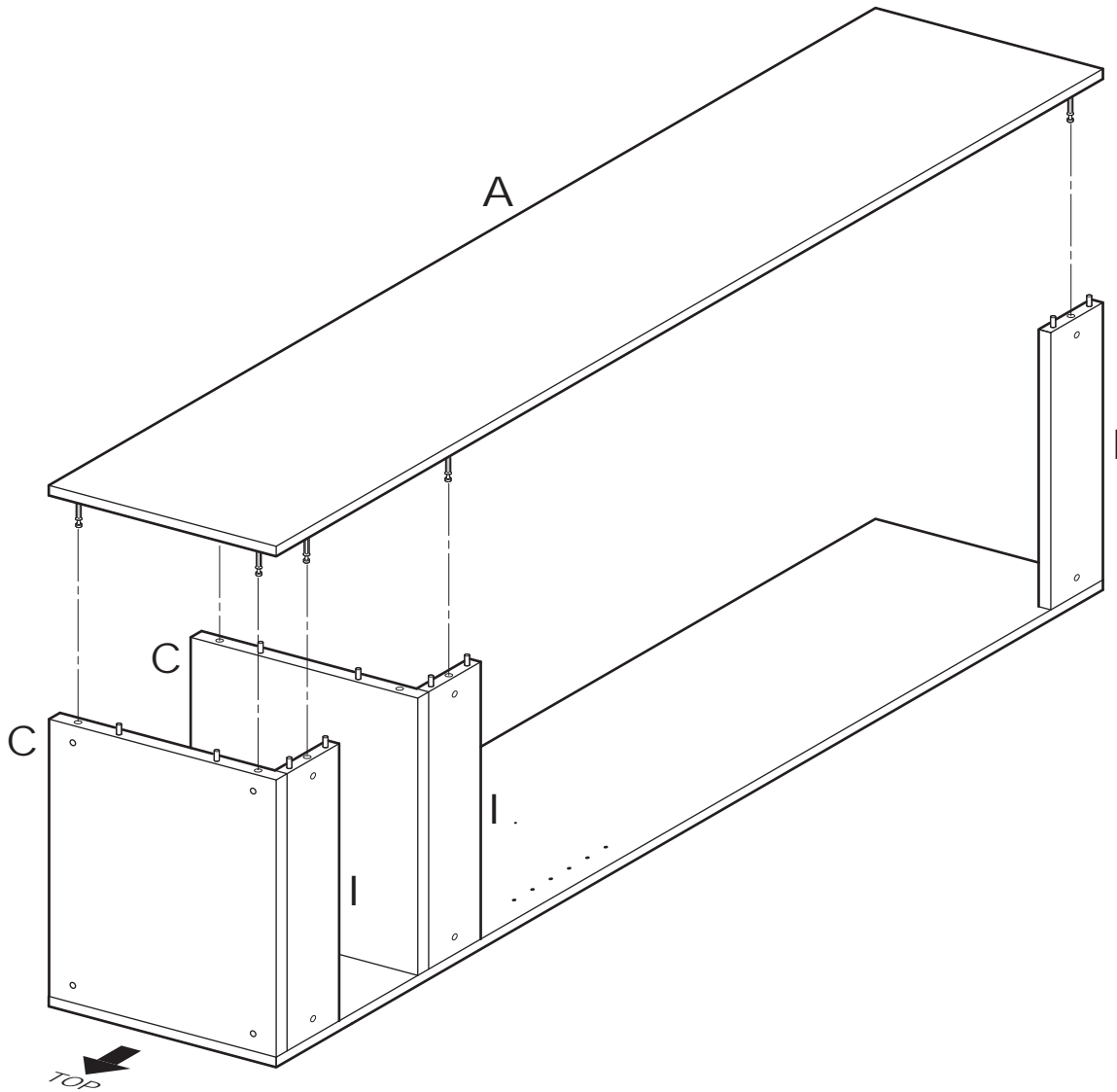
Install upper Cleats (I) with holes for Cam Locks facing the rear of the unit and unfinished edges against Set Shelves (C).

Install lower Cleat (I) with holes for Cam Locks facing the rear of the unit and the unfinished edge facing the bottom of the unit.

ASSEMBLY AND  
INSTALLATION INSTRUCTIONS  
MUDROOM



10



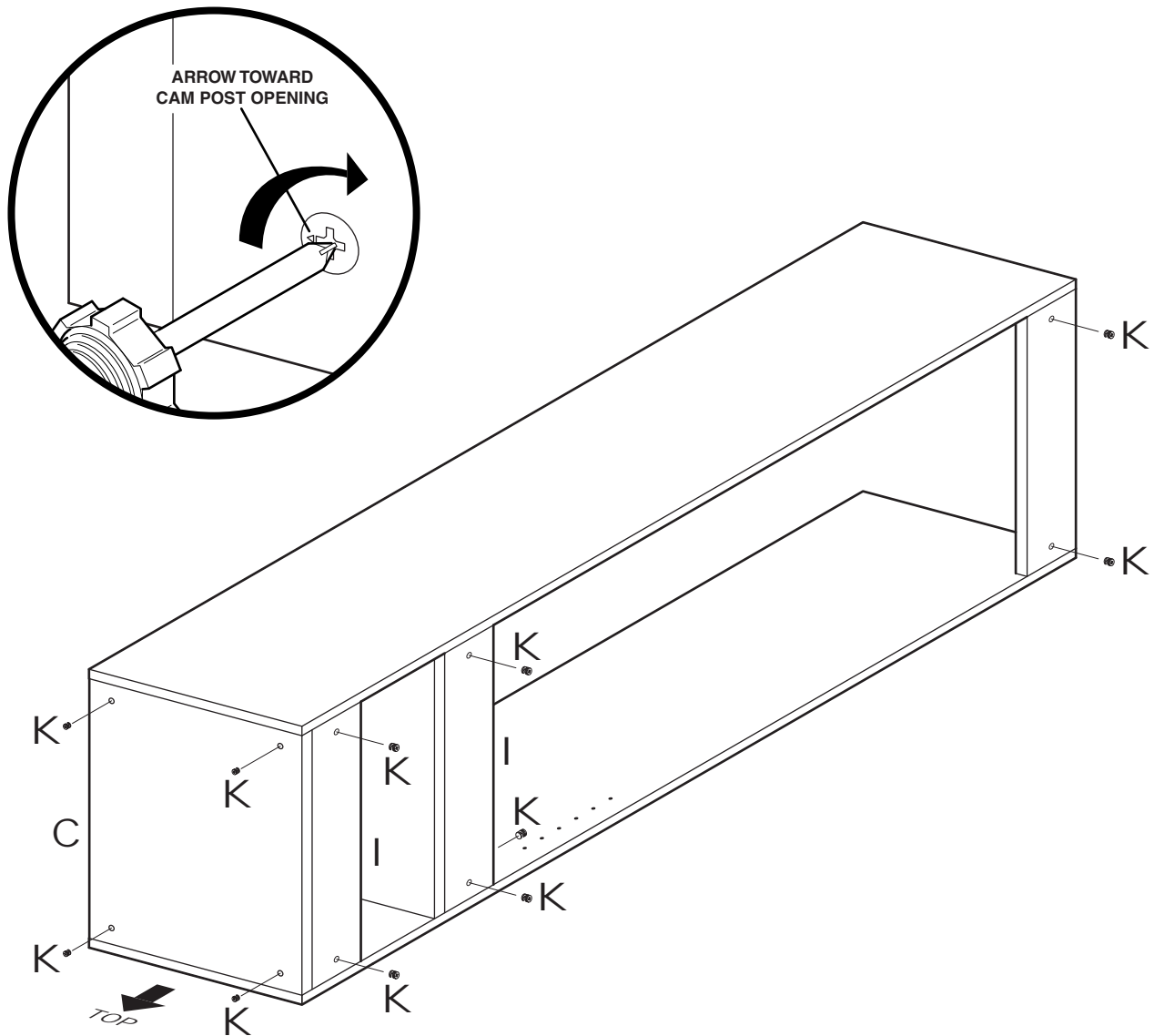
10.1 Install Upper Left Side Panel (A) onto assembled Set Shelf (C) and CleatS (I). BE SURE dowel pins in Shelves and Cleats engage drilled holes in Side Panel, and Side Panel is pressed flush against Shelves and Cleats.



# ASSEMBLY AND INSTALLATION INSTRUCTIONS MUDROOM



11

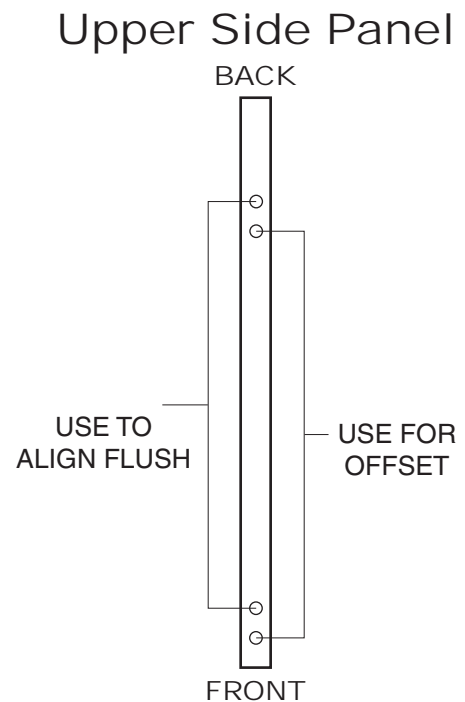
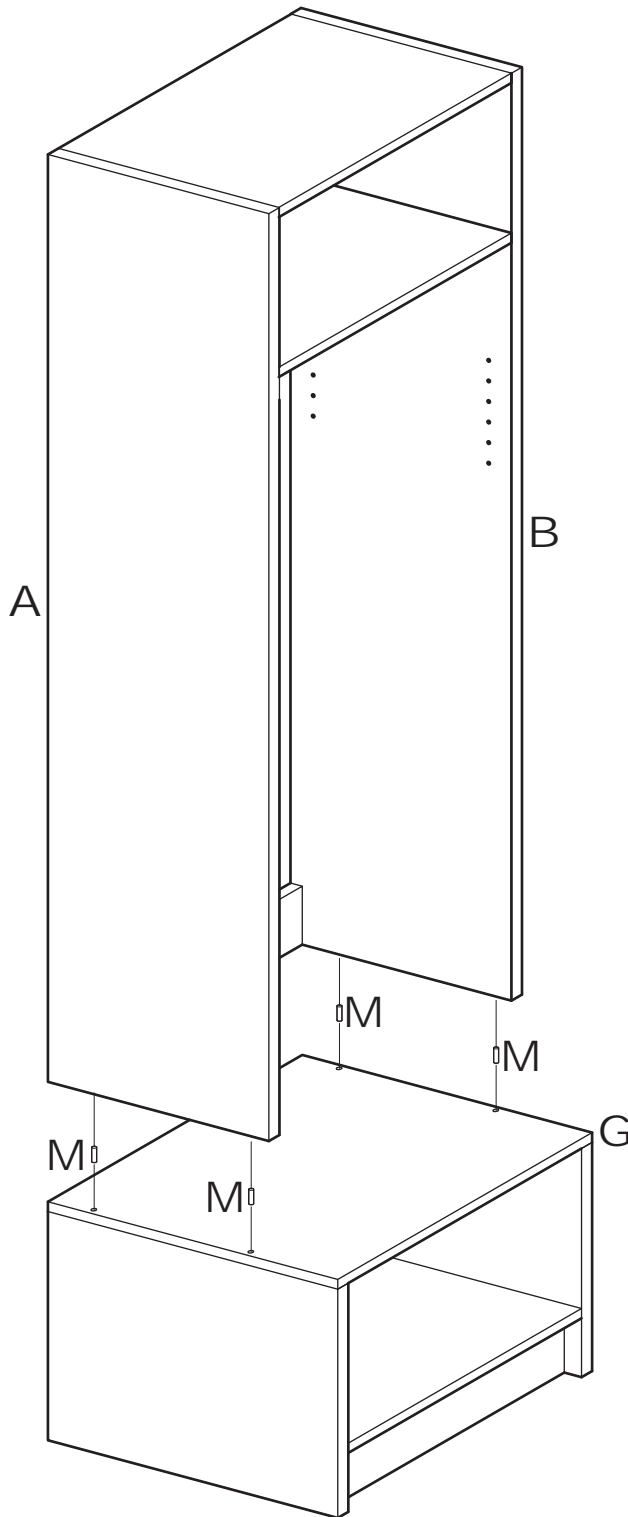


- 11.1 Insert Camlocks (K) in holes in Set Shelves (C) and Cleats (I) with arrow pointing toward Cam Post opening. Be sure Camlocks engage Cam Posts, and are fully seated in Shelf and Cleats.
- 11.2 Tighten Camlocks (K) clockwise to lock.

# ASSEMBLY AND INSTALLATION INSTRUCTIONS MUDROOM



# 12

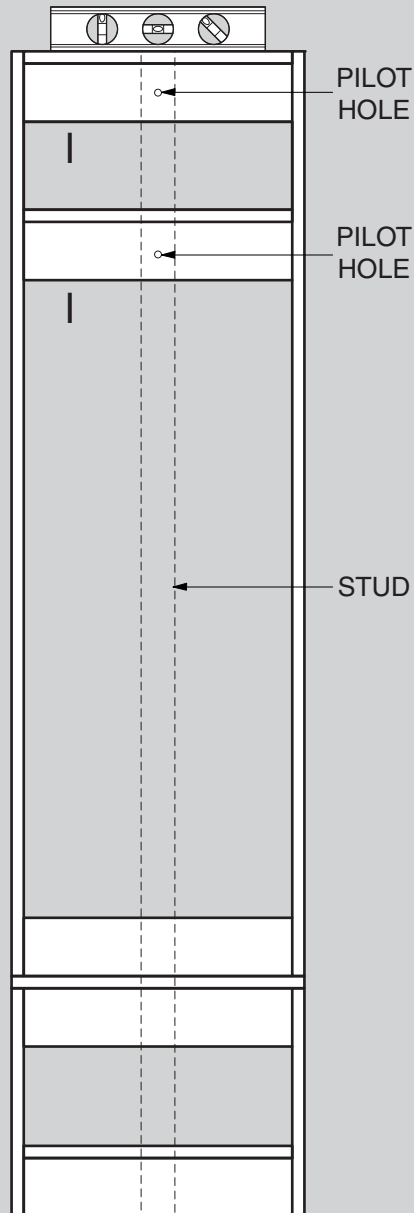


- 12.1 Insert four Wood Dowels (M) into holes in edges of Upper Left Side Panel (A) and Upper Right Side Panel (B).  
**Note:** There are two pairs of holes in each Side Panel; one pair for flush alignment of the Upper Shelf and Bench, and one pair to offset the Upper Shelf when necessary to accommodate a baseboard. BE SURE to install Wood Dowels (M) in the appropriate holes for your installation.
- 12.2 Install assembled Upper Shelf onto assembled Bench. BE SURE dowel pins in Upper Left Side Panel (A) and Upper Right Side Panel (B) engage drilled holes in Bench Top Shelf (G), and Upper Shelf is pressed flush against Bench.

# ASSEMBLY AND INSTALLATION INSTRUCTIONS MUDROOM



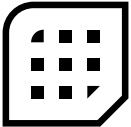
# 13



## INSTALLATION

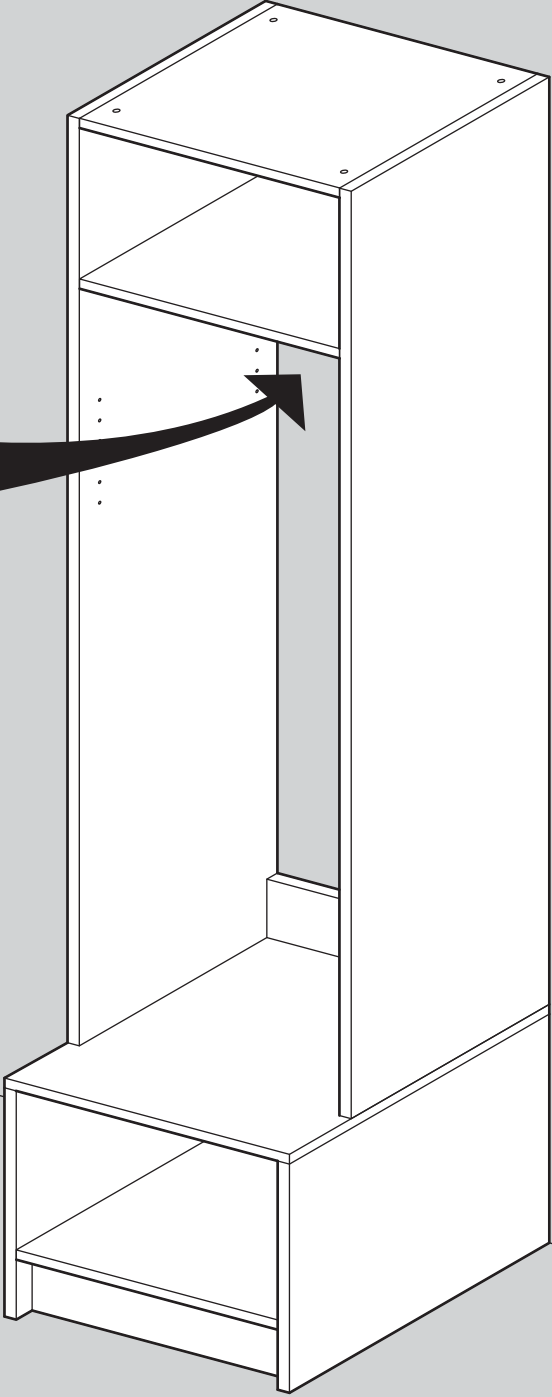
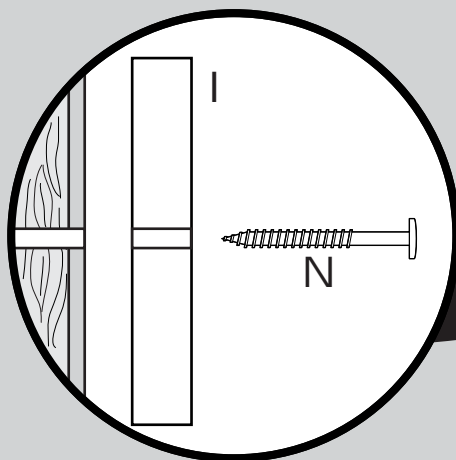
- 13.1 Determine the mounting location for the unit.
- 13.2 Using a stud finder, locate the studs to which the unit will be secured. Mark the stud location with a pencil.
- 13.3 With the unit positioned at the desired location, level the unit, then drill pilot holes through top two Cleats (I).

ASSEMBLY AND  
INSTALLATION INSTRUCTIONS  
MUDROOM



modular  
closets.

14

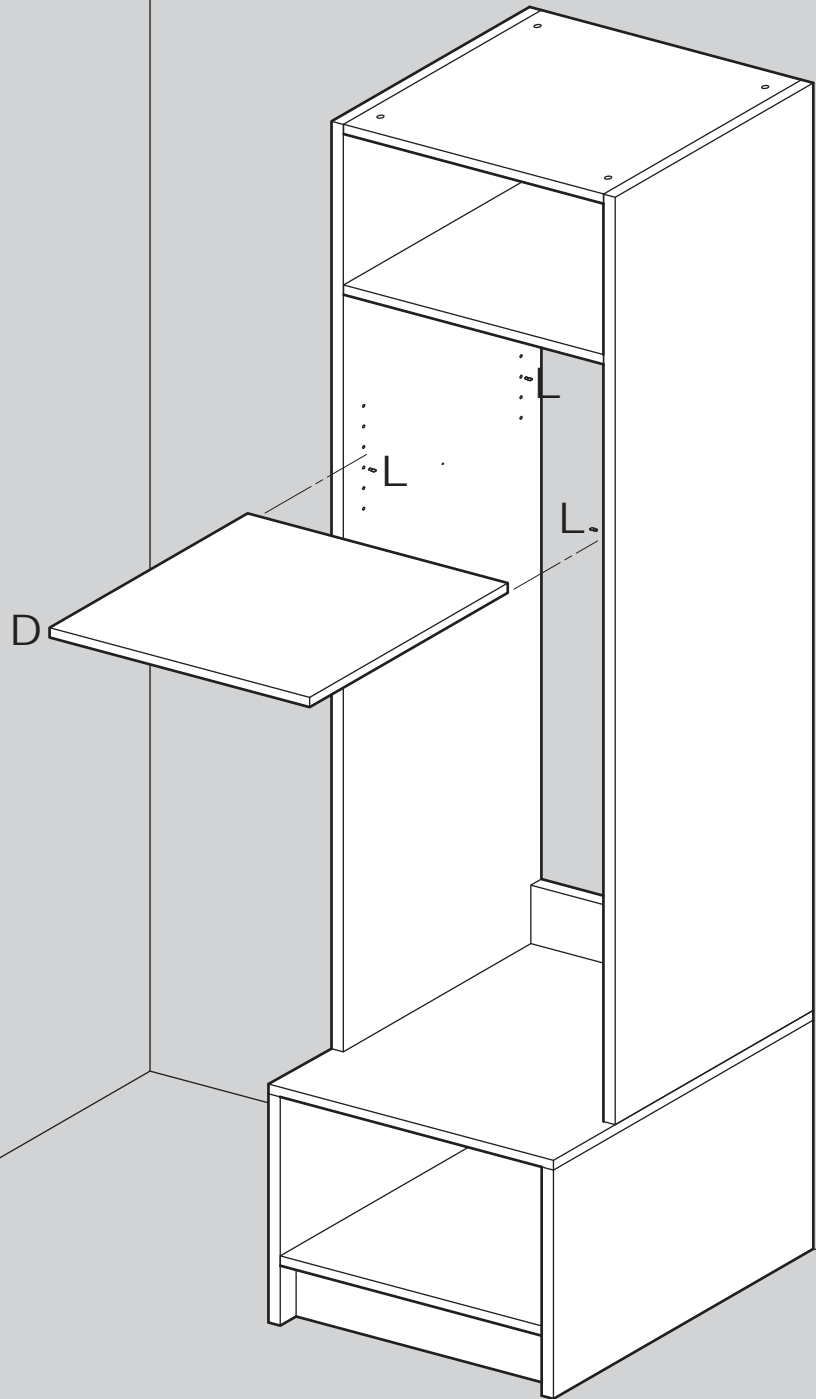


14.1 Secure two top Cleats (I) to stud using two 2.5" screws (N).

ASSEMBLY AND  
INSTALLATION INSTRUCTIONS  
MUDROOM



15



Installation of Adjustable Shelf (D) is optional. If desired, install Adjustable Shelf as follows:

15.1 Insert 4 Shelf Pins (L) into pin holes at the desired heights.

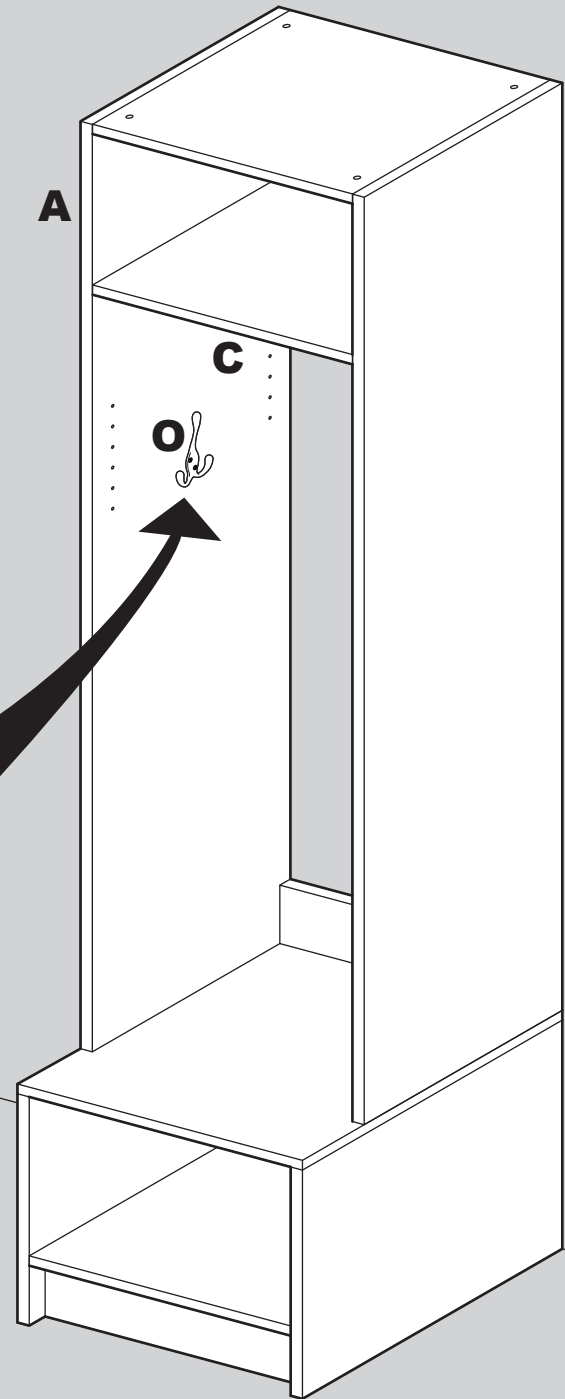
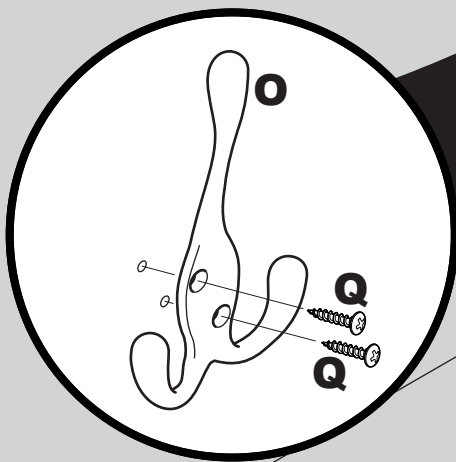
15.2 Rest Adjustable Shelf (D) on Shelf Pins (L).

# ASSEMBLY AND INSTALLATION INSTRUCTIONS MUDROOM



# 16

## TYPICAL HOOK INSTALLATION



- 16.1** Installation of Hooks (O, P) is optional. If desired, install Hooks at one or more of the following locations:
- Install one or two 3-Prong Hooks (O) on Upper Left Side Panel (A). (Dimples on the vertical centerline of the Side Panel show the recommended placement for the Hooks.)
  - Install one 2-Prong Hook (P) at the desired location on Cleat (I) below Upper Set Shelf (C).

- 16.2** Drill two pilot holes for each Hook (O, P) at the desired mounting location(s), then secure each Hook with two 0.75" Screws (Q).

**Note:** In cases where Adjustable Shelf (D) is installed (see step 15), install Hooks (O, P) on Upper Left Side Panel (A) and/or Upper Right Side Panel (B) at locations below the Shelf.