



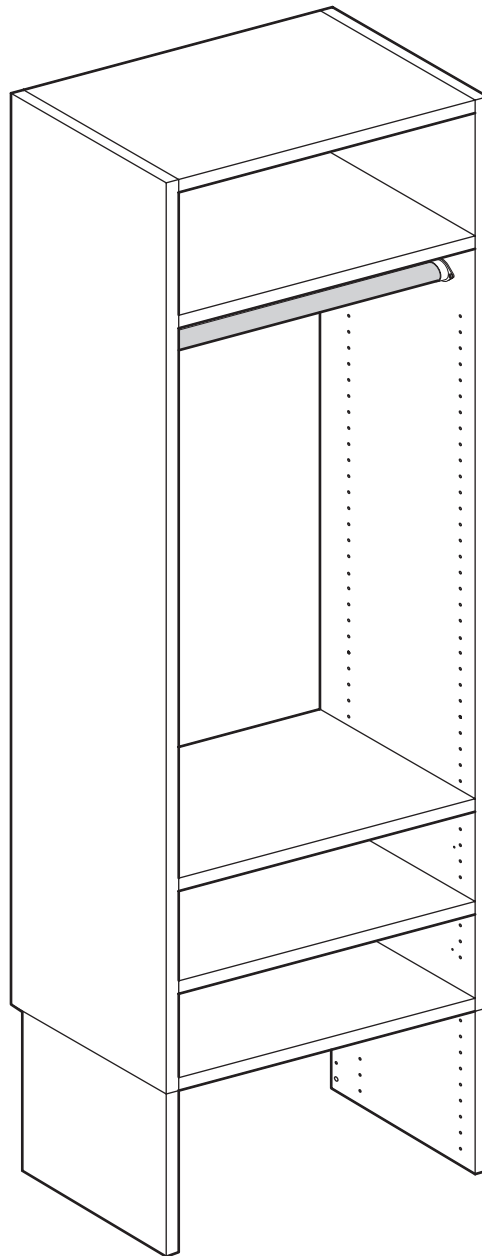
MODULAR CLOSETS

1-844-969-4247

support@modularclosets.com

# HANGING TOWER UNIT

18" / 24" / 30"

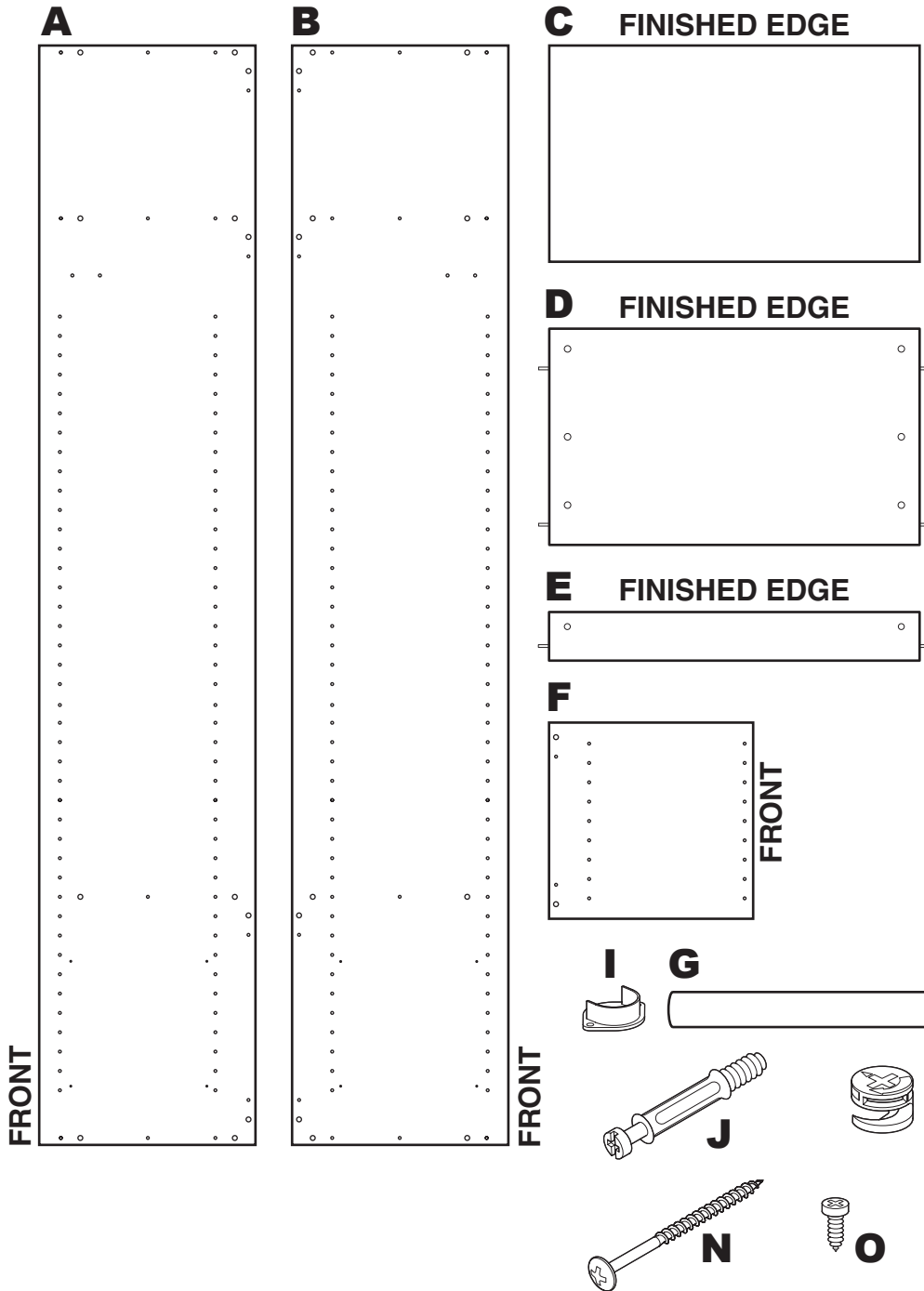


## ASSEMBLY AND INSTALLATION INSTRUCTIONS

# ASSEMBLY AND INSTALLATION INSTRUCTIONS

## HANGING TOWER UNIT - 18" / 24" / 30"

# 1



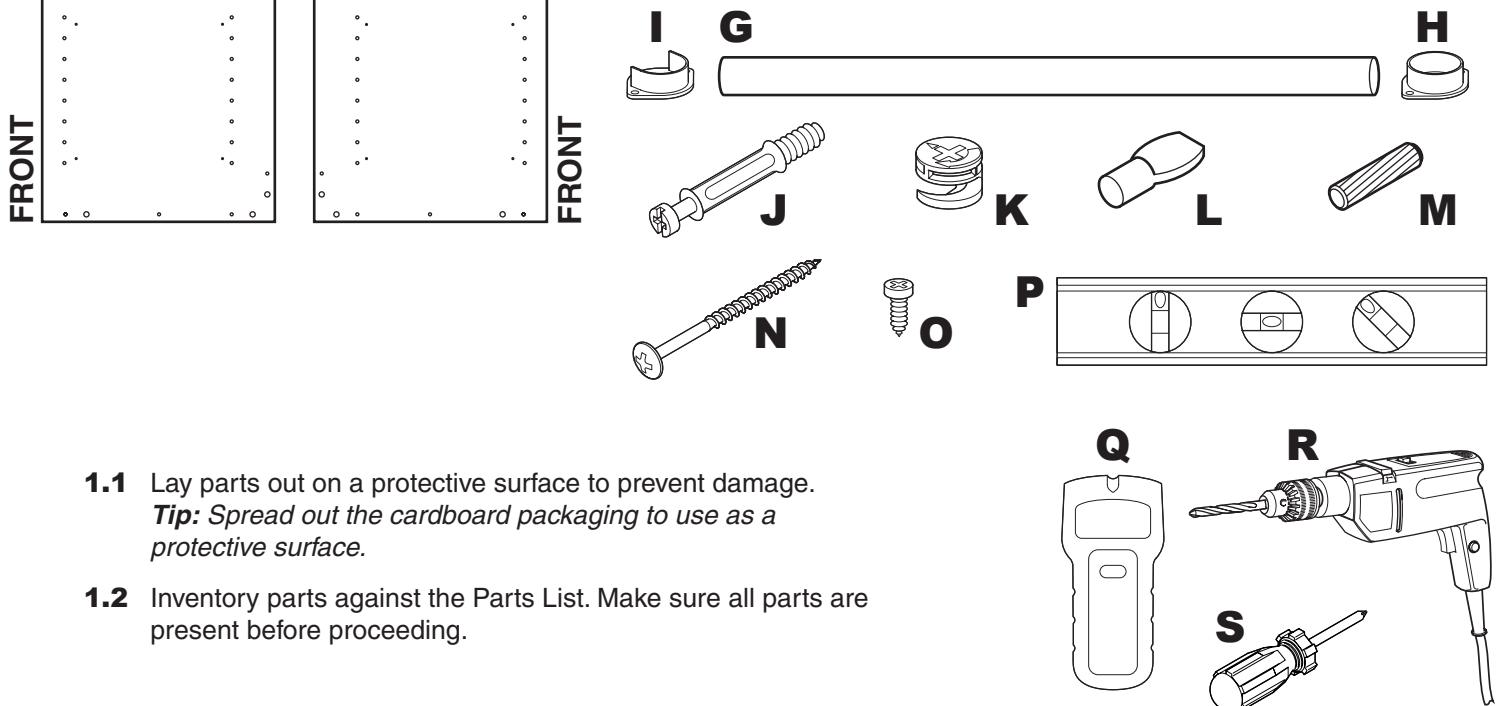
### PARTS LIST

- A** Left Side Panel (Qty 1)
- B** Right Side Panel (Qty 1)
- C** Adjustable Shelf (Qty 1)
- D** Set Shelf (Qty 4)
- E** Rear Hanging Cleat (Qty 5)
- F** Floor Support Panel (Qty 2)
- G** Hanging Rod (Qty 1)
- H** "O" Rod Bracket (Qty 1)
- I** "U" Rod Bracket (Qty 1)
- J** Cam Post (Qty 34)
- K** Camlock (Qty 34)
- L** Shelf Pins (Qty 4)
- M** Wood Dowels (Qty 4)
- N** Screws, 3" (Qty 15)
- O** Screws (Qty 4)

### TOOLS REQUIRED

(not included)

- P** Level
- Q** Stud Finder
- R** Drill, 3/32" bit size
- S** Phillips Screwdriver



**1.1** Lay parts out on a protective surface to prevent damage.

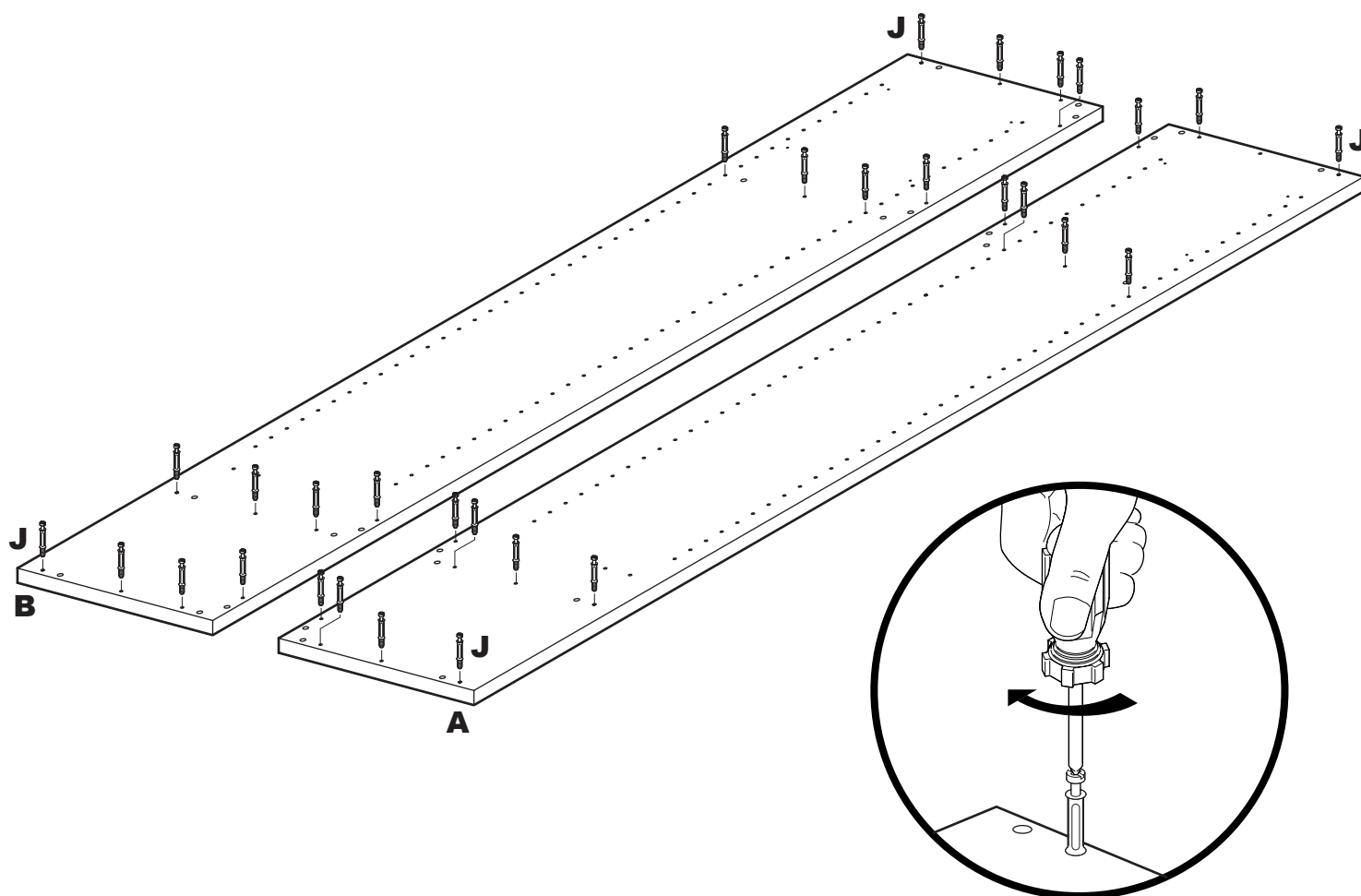
*Tip: Spread out the cardboard packaging to use as a protective surface.*

**1.2** Inventory parts against the Parts List. Make sure all parts are present before proceeding.

# ASSEMBLY AND INSTALLATION INSTRUCTIONS

## HANGING TOWER UNIT - 18" / 24" / 30"

**2**

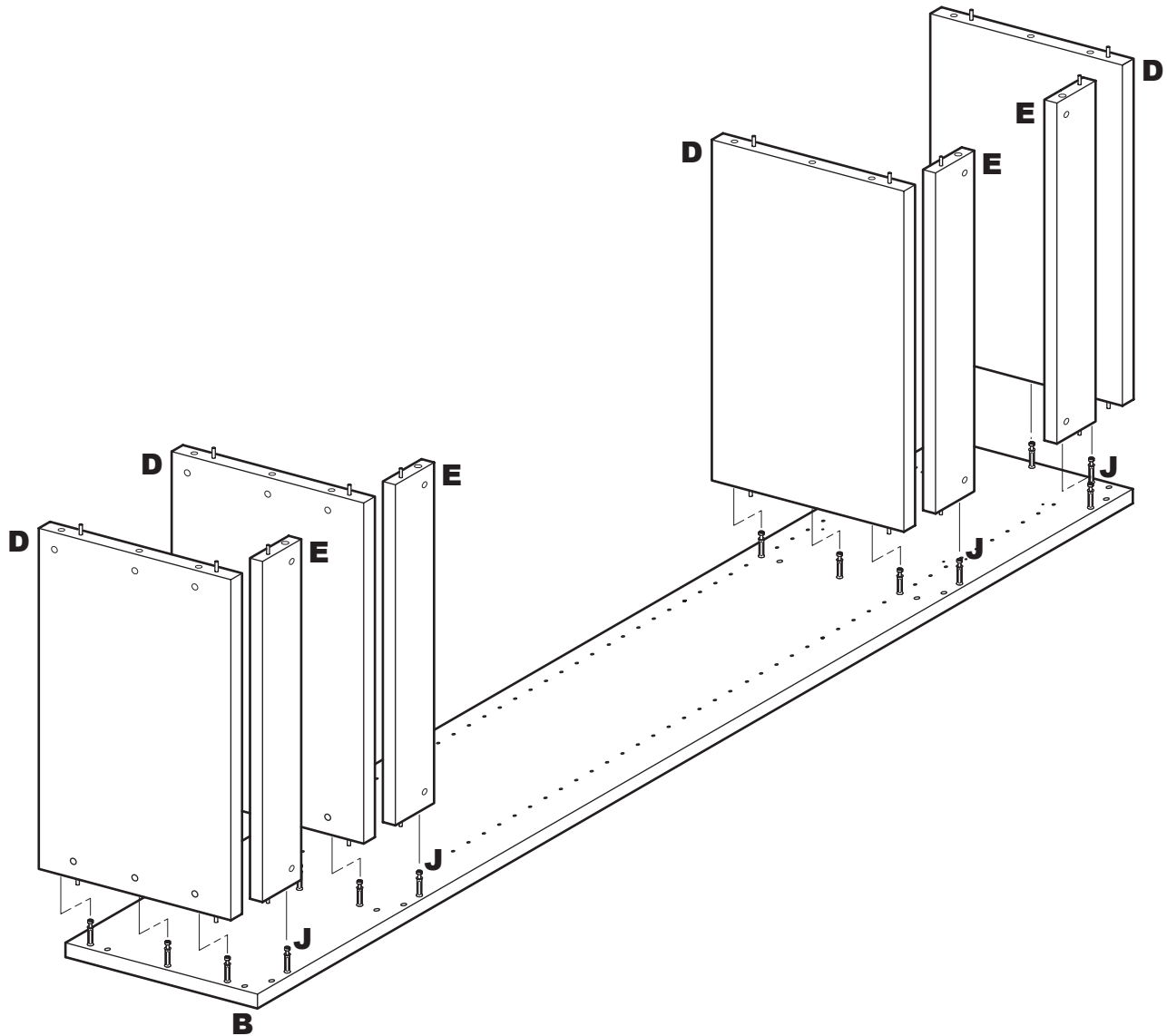


- 2.1** Install one Cam Post (J) into each of the 16 holes on Left Side Panel (A) and Right Side Panel (B). Tighten until Cam Posts are seated against Side Panels.

# ASSEMBLY AND INSTALLATION INSTRUCTIONS

## HANGING TOWER UNIT - 18" / 24" / 30"

**3**



- 3.1** Assemble Set Shelves (D) and Rear Hanging Cleats (E) onto Right Side Panel (B) by sliding the Shelves and Cleats onto the Cam Posts (J) on Side Panel. BE SURE dowel pins in Shelves and Cleats engage drilled holes in Side Panel, and all parts are pressed flush against Side Panel.

### IMPORTANT NOTES

Install Set Shelves (D) with finished edges facing forward (toward front of unit).

Install Rear Hanging Cleats (E) with holes for Cam Locks facing the rear of the unit and the unfinished edge against the Set Shelf (D).

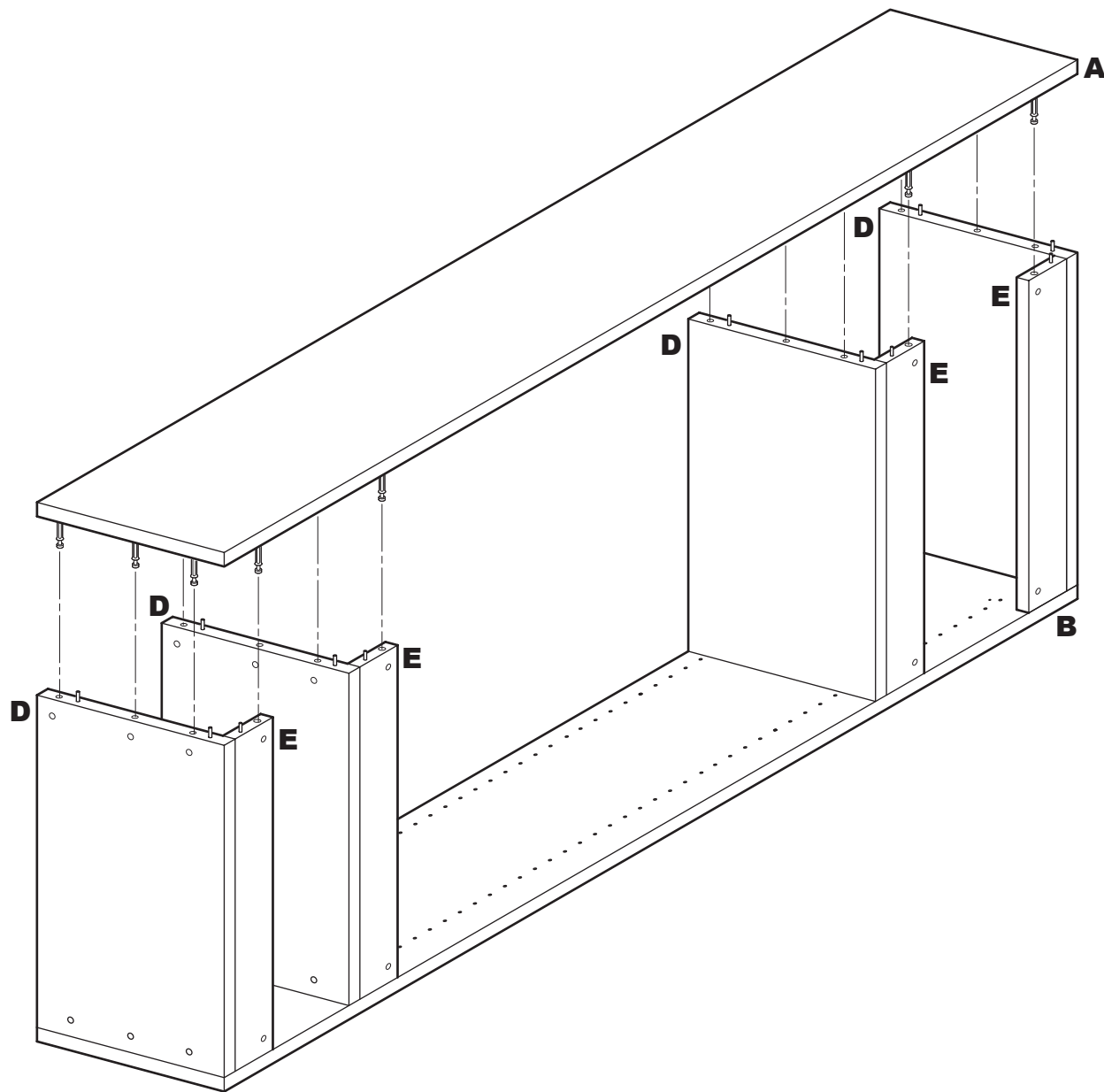
Install upper Set Shelves (D) with holes for Cam Locks facing the top of the unit.

Install lower Set Shelves (D) with holes for Cam Locks facing the bottom of the unit.

# ASSEMBLY AND INSTALLATION INSTRUCTIONS

## HANGING TOWER UNIT - 18" / 24" / 30"

**4**

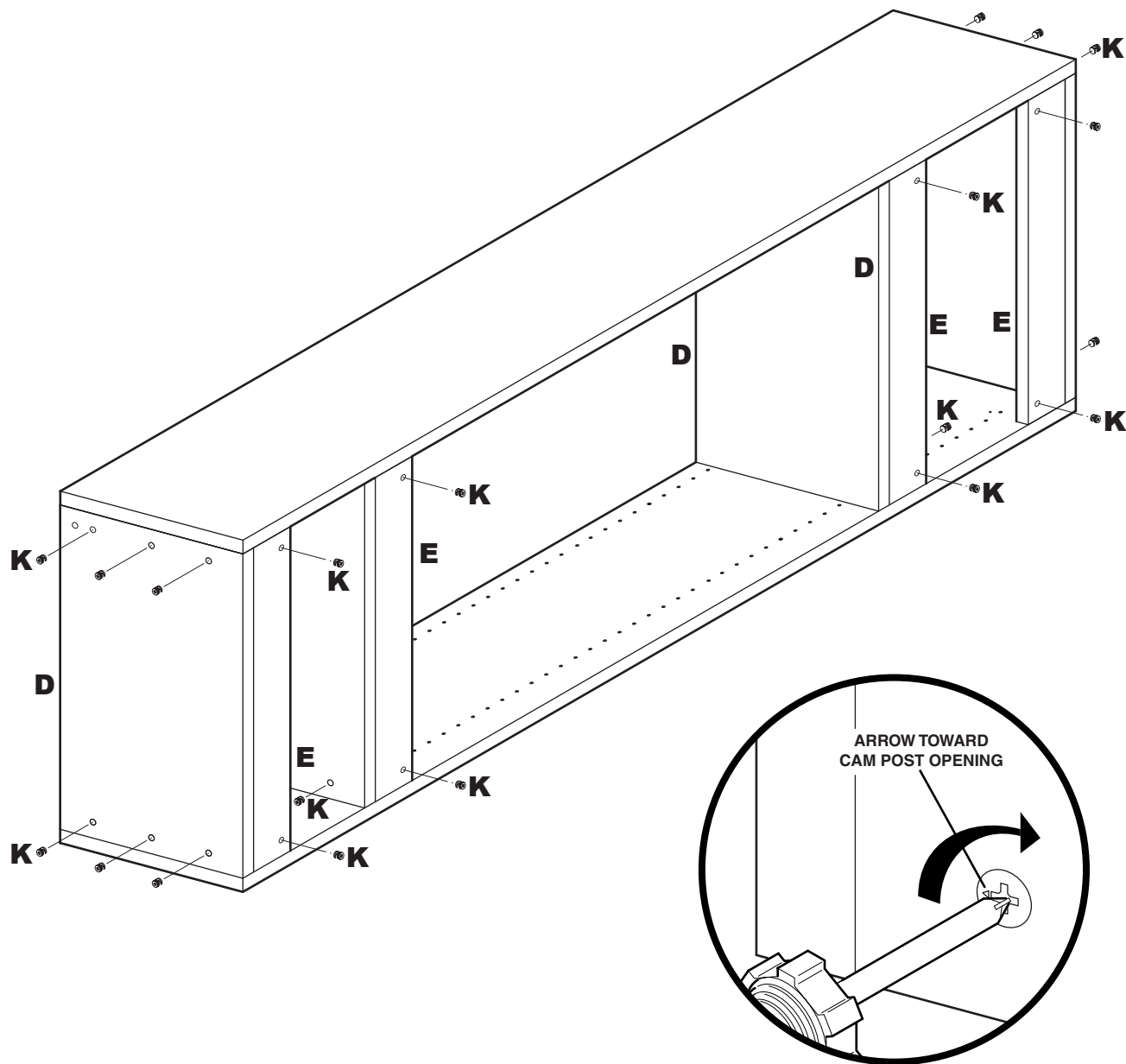


- 4.1** Install Left Side Panel (A) onto assembled Set Shelves (D) and Rear Hanging Cleats (E). BE SURE dowel pins in Shelves and Cleats engage drilled holes in Side Panel, and Side Panel is pressed flush against Set Shelves and Cleats.

# ASSEMBLY AND INSTALLATION INSTRUCTIONS

## HANGING TOWER UNIT - 18" / 24" / 30"

**5**



- 5.1** Insert Camlocks (K) in holes in Set Shelves (D) and Rear Hanging Cleats (E), with arrow pointing toward Cam Post opening. Be sure Camlocks engage Cam Posts, and are fully seated in Shelves and Cleats.
- 5.2** Tighten Camlocks (K) clockwise to lock.

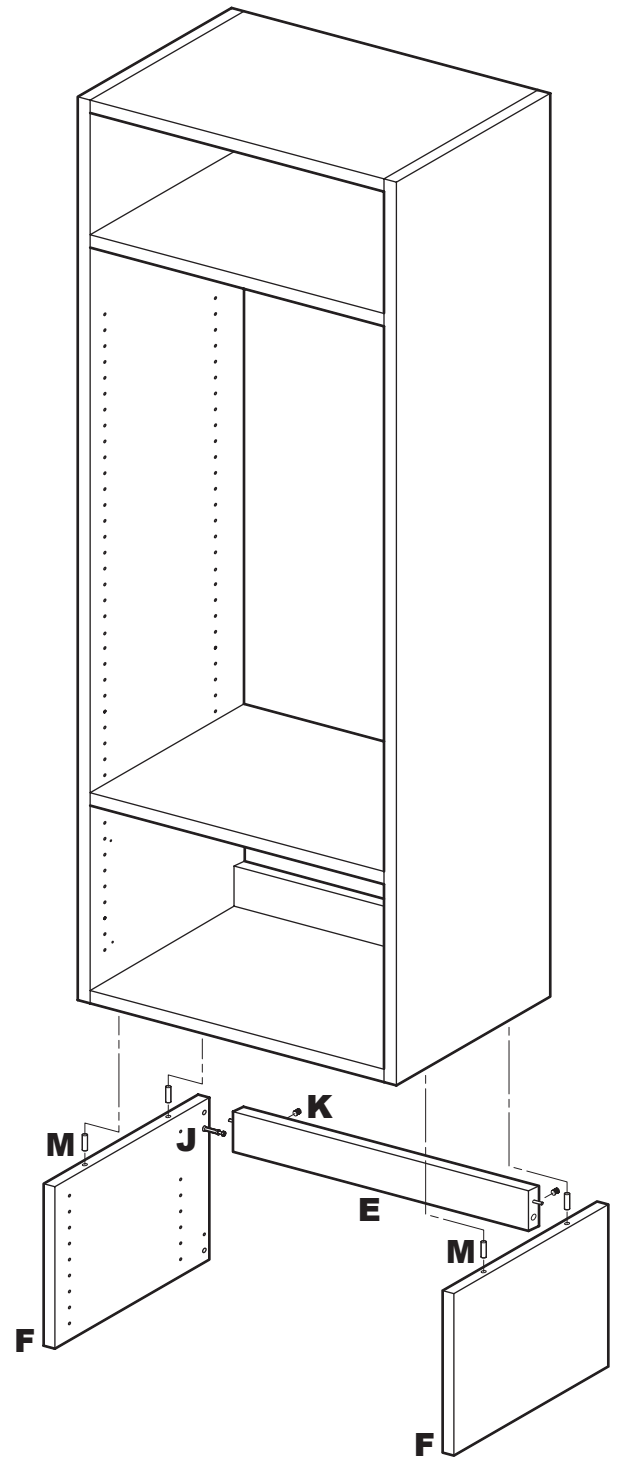
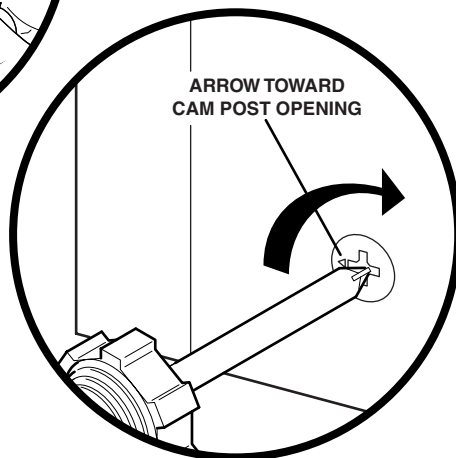
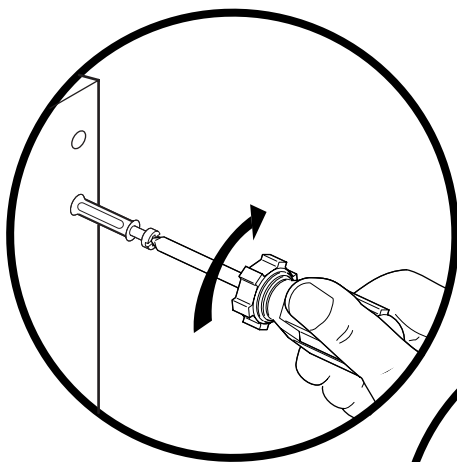
# ASSEMBLY AND INSTALLATION INSTRUCTIONS

## HANGING TOWER UNIT - 18" / 24" / 30"

**6**

### FOR FLOOR MOUNT INSTALLATIONS ONLY

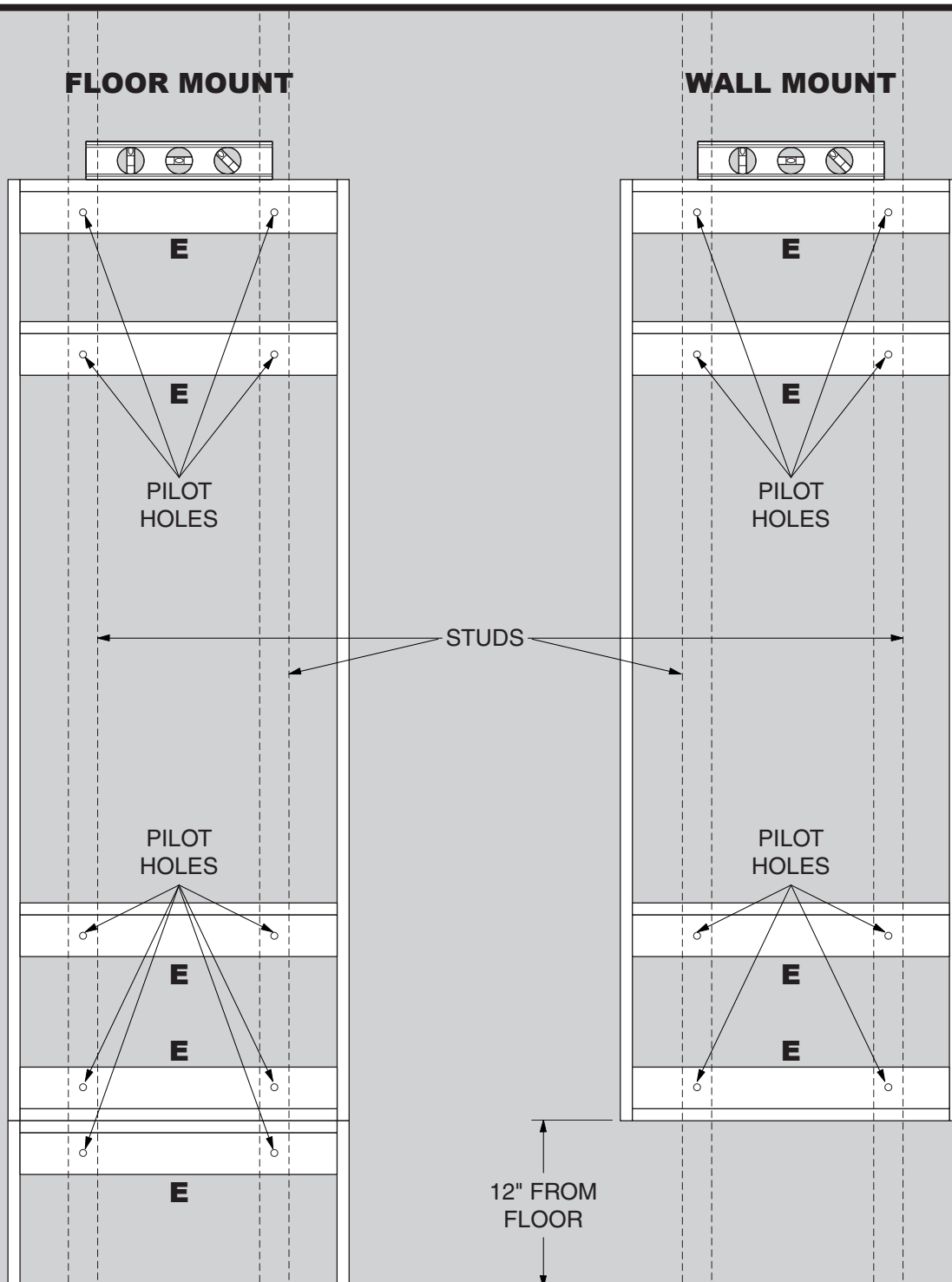
- 6.1** Install one Cam Post (J) into each of two Floor Support Panels (F). Tighten until Cam Posts are seated against Panels.
- 6.2** Assemble Floor Support Panels (F) onto Rear Hanging Cleat (E) by sliding the Cam Posts (J) into Cleat. BE SURE dowel pins in Cleat engage drilled holes in Floor Support Panels, and all parts are pressed flush against each other.
- 6.3** Insert Camlocks (K) in holes in Rear Hanging Cleat (E), with arrow pointing toward Cam Post opening. Be sure Camlocks engage Cam Posts, and are fully seated in Cleat. Tighten Camlocks (K) clockwise to lock.
- 6.4** Insert four Wood Dowels (M) into holes in edges of Floor Support Panels (F).
- 6.5** Align Wood Dowels (M) in assembled Floor Support with holes in Shelf Tower, and press Tower and Floor Support together.



# ASSEMBLY AND INSTALLATION INSTRUCTIONS

## HANGING TOWER UNIT - 18" / 24" / 30"

7



## INSTALLATION

- 7.1** Determine the mounting location for the unit. The unit can be wall mounted or floor mounted (by installing the Floor Support Panels as shown in step 6).
- 7.2** Using a stud finder, locate studs to which the unit will be secured. Mark stud locations with a pencil.
- 7.3** With the unit positioned at the desired location, level the unit, then drill pilot holes through Rear Hanging Cleats (E),

**NOTE:** For 18" and 24" units, it is likely that only one stud will pass through the unit. In these cases, use two screws through each Rear Hanging Cleat.

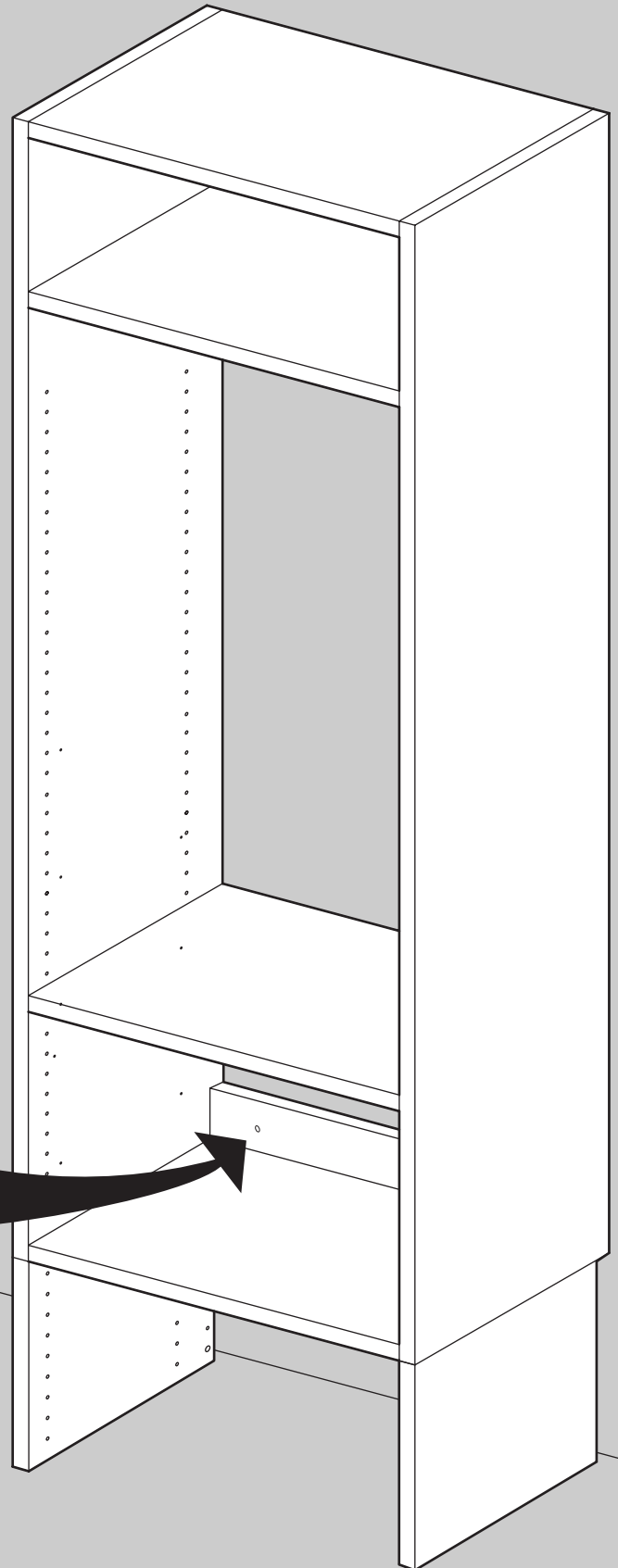
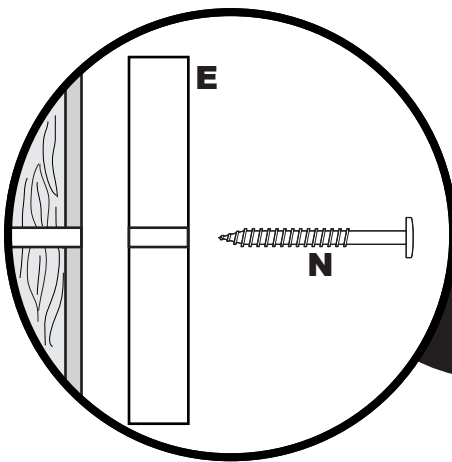


# ASSEMBLY AND INSTALLATION INSTRUCTIONS

## HANGING TOWER UNIT - 18" / 24" / 30"

**8**

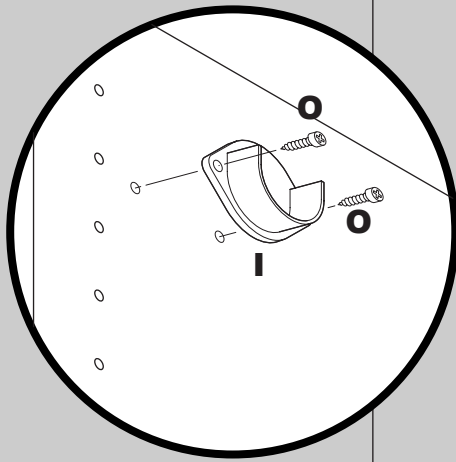
**8.1** Secure Rear Hanging Cleats (E) to studs using 3" Screws (N).



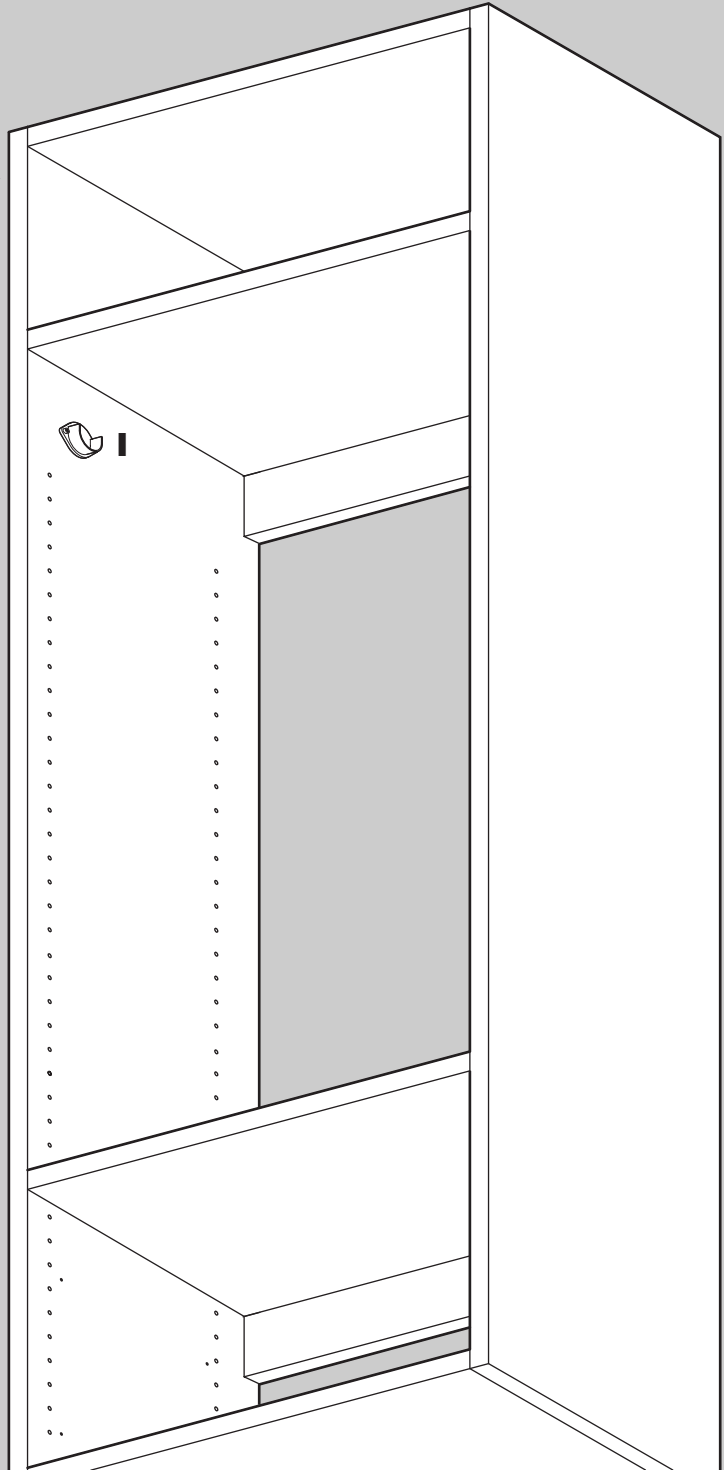
# ASSEMBLY AND INSTALLATION INSTRUCTIONS

## HANGING TOWER UNIT - 18" / 24" / 30"

**9**



**A**

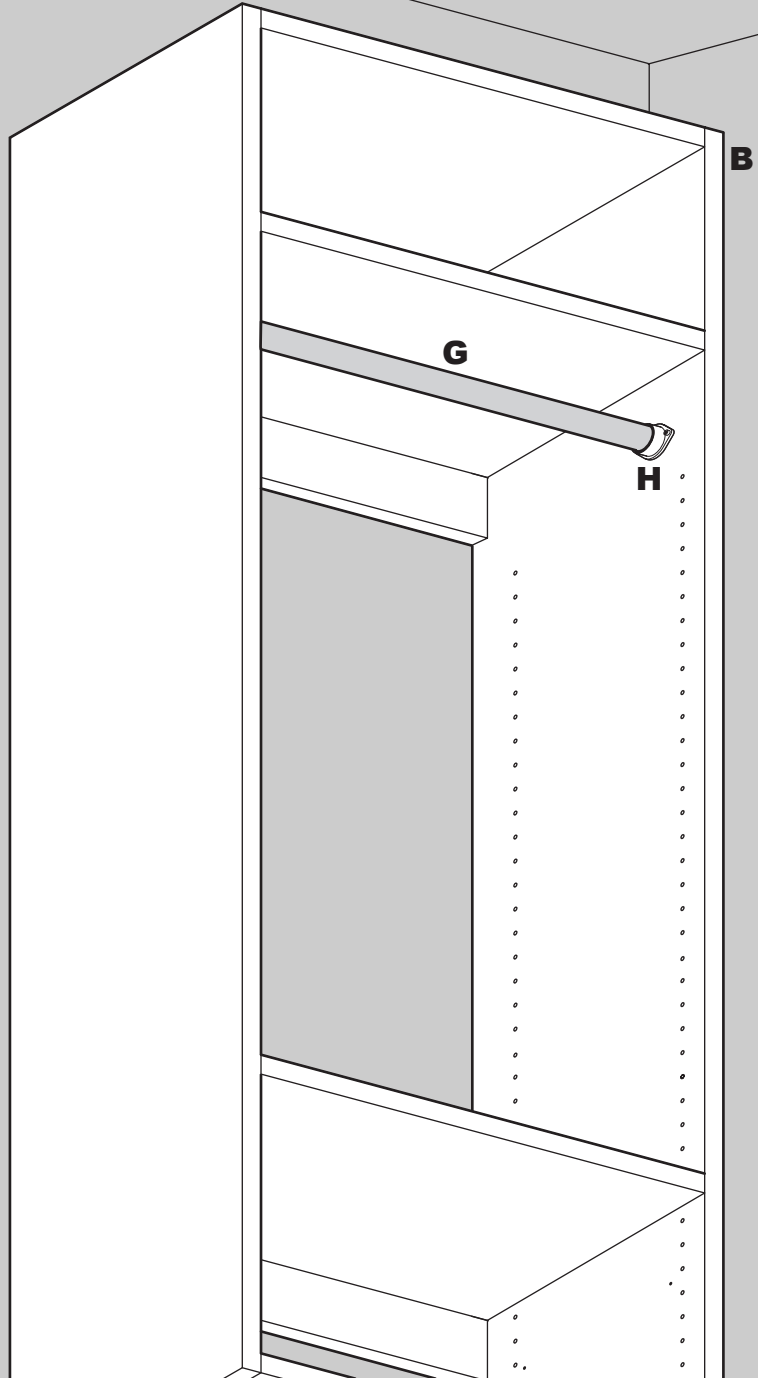
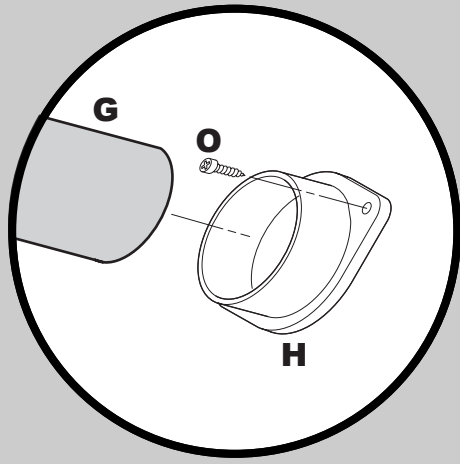


**9.1** Position "U" Bracket (I) on Left Side Panel (A) and secure each Bracket with two screws (O).

# ASSEMBLY AND INSTALLATION INSTRUCTIONS

## HANGING TOWER UNIT - 18" / 24" / 30"

**10**



**NOTE:** Use care when installing Hanging Rod (G) to avoid scratching finish inside unit.

**10.1** Insert one end of Hanging Rod (G) into "O" Bracket (H).

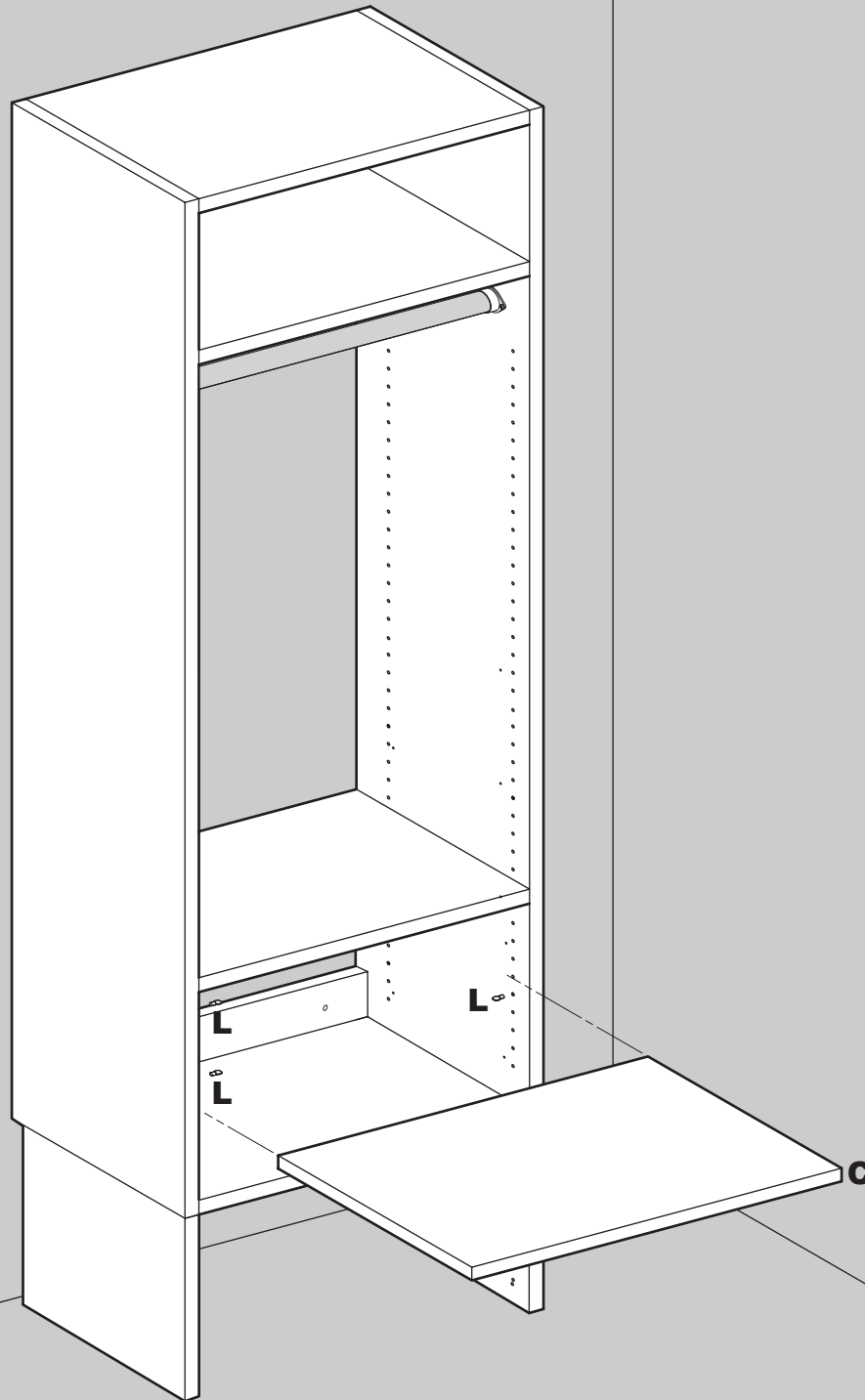
**10.2** Slide assembled Hanging Rod (G) and "O" Bracket (H) into unit. Rest free end of Hanging Rod in "U" Bracket.

**10.3** Secure "O" Bracket (H) to Right Side Panel (B) with two Screws (O).

# ASSEMBLY AND INSTALLATION INSTRUCTIONS

## HANGING TOWER UNIT - 18" / 24" / 30"

**11**



**11.1** Insert four Shelf Pins (L) into pin holes inside the Tower at the desired height.

**11.2** Rest Adjustable Shelf (C) on Shelf Pins (L).