



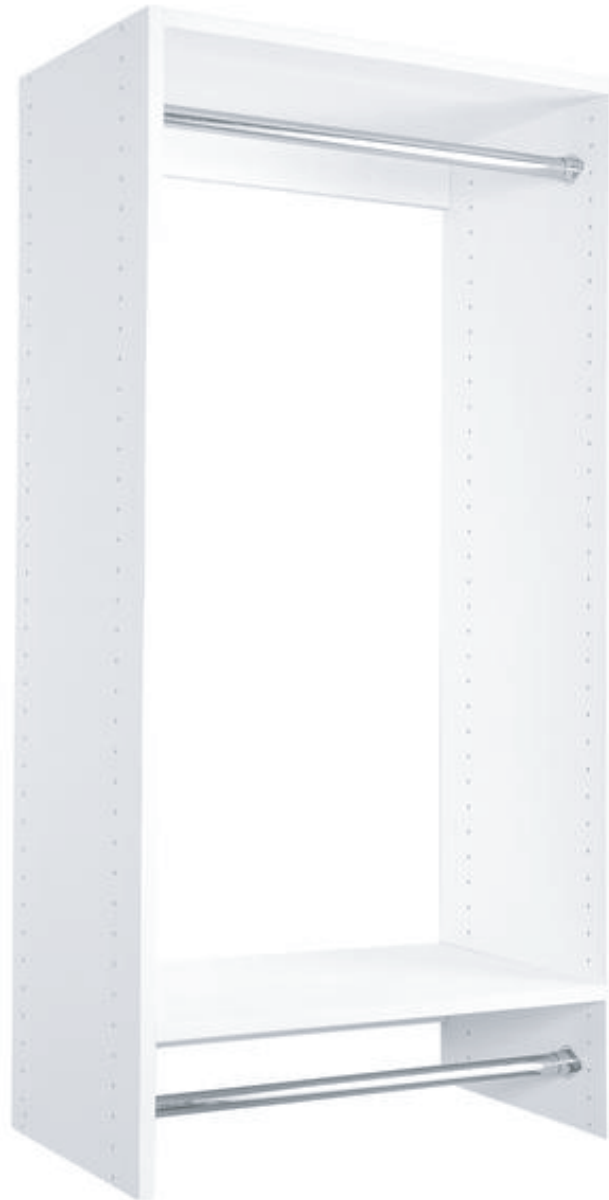
MODULAR CLOSETS

1-844-969-4247

support@modularclosets.com

# **DOUBLE HANGING UNIT**

## **24" / 30" / 36"**

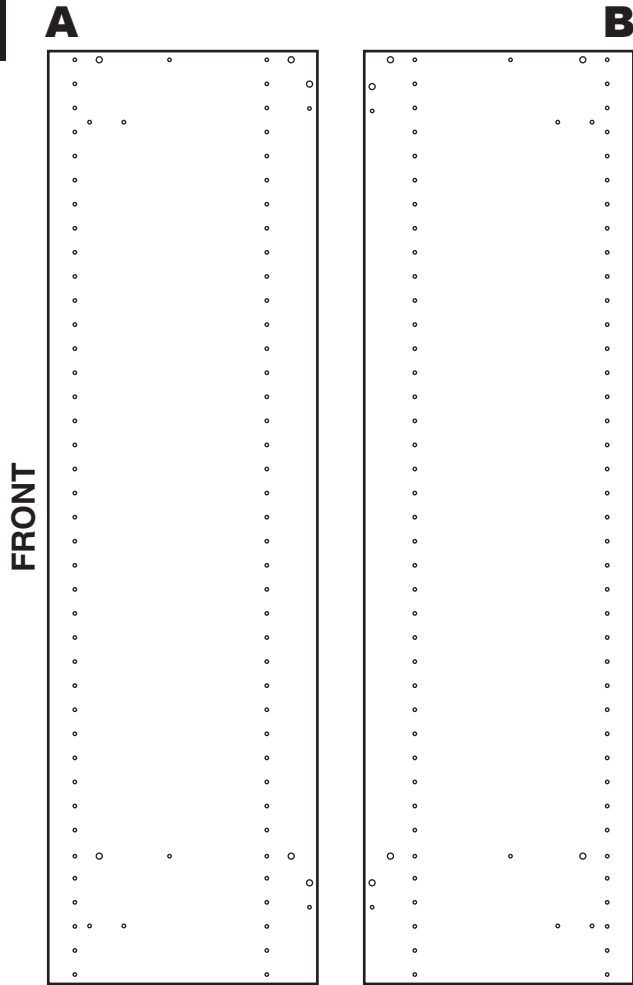


# **ASSEMBLY AND INSTALLATION INSTRUCTIONS**

# ASSEMBLY AND INSTALLATION INSTRUCTIONS

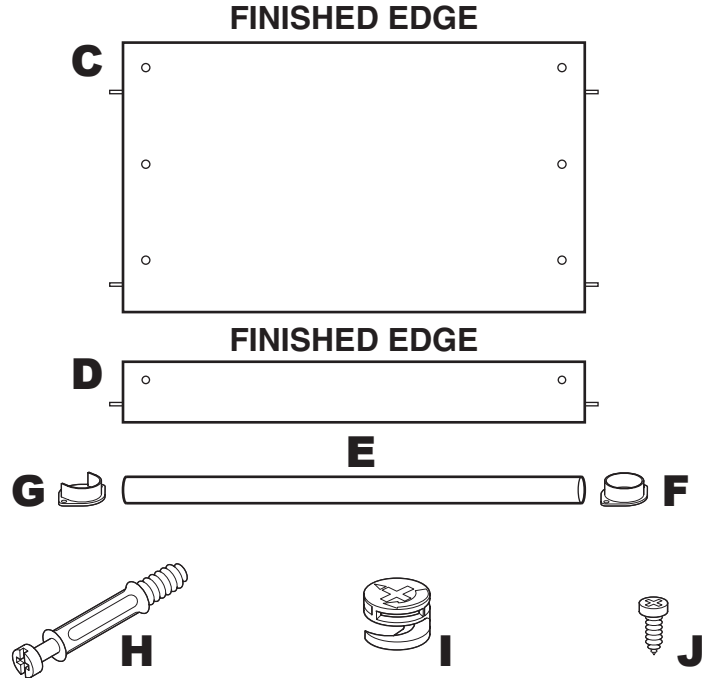
## DOUBLE HANGING UNIT - 24" / 30" / 36"

# 1



### PARTS LIST

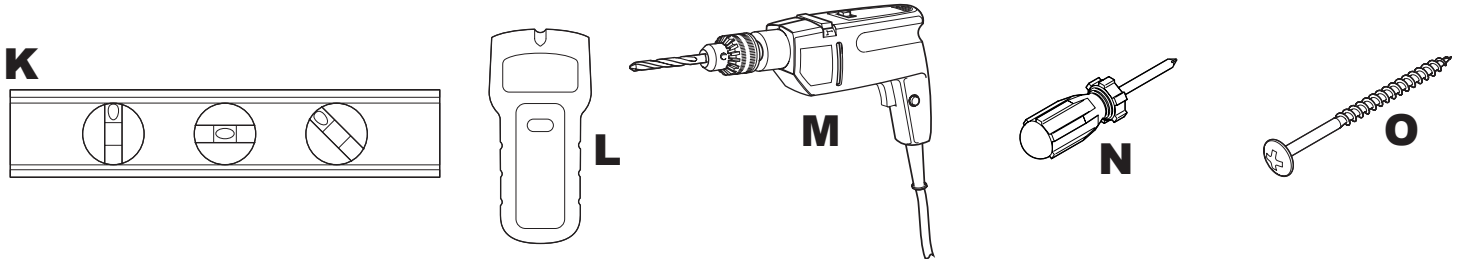
- |                              |                                  |
|------------------------------|----------------------------------|
| <b>A</b> Left Side Panel     | <b>F</b> "O" Rod Bracket (Qty 2) |
| <b>B</b> Right Side Panel    | <b>G</b> "U" Rod Bracket (Qty 2) |
| <b>C</b> Set Shelf (Qty 2)   | <b>H</b> Cam Post (Qty 16)       |
| <b>D</b> Rear Cleat (Qty 2)  | <b>I</b> Camlock (Qty 16)        |
| <b>E</b> Hanging Rod (Qty 2) | <b>J</b> Screw (Qty 8)           |



### TOOLS REQUIRED

(not included)

- |                      |                                |                     |
|----------------------|--------------------------------|---------------------|
| <b>K</b> Level       | <b>M</b> Drill, 3/32" bit size | <b>O</b> Screws, 3" |
| <b>L</b> Stud Finder | <b>N</b> Phillips Screwdriver  |                     |

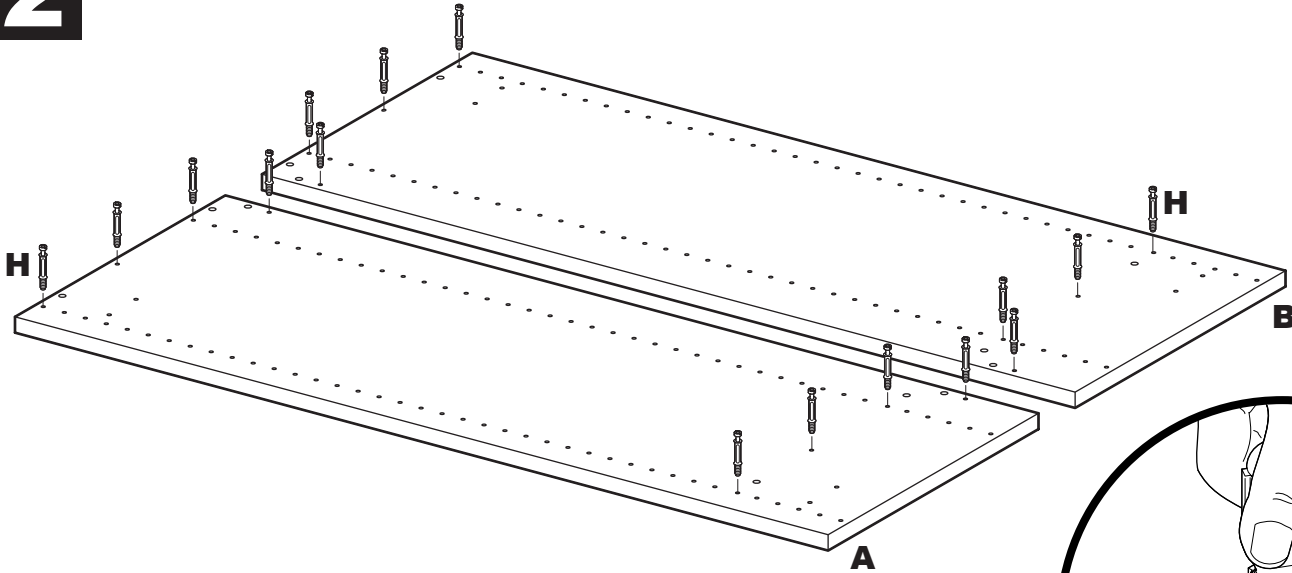


- 1.1** Lay parts out on a protective surface to prevent damage. *Tip: Spread out the cardboard packaging to use as a protective surface.*
- 1.2** Inventory parts against the Parts List. Make sure all parts are present before proceeding.

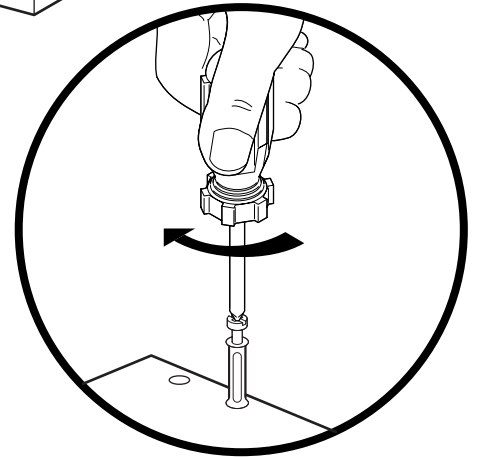
# ASSEMBLY AND INSTALLATION INSTRUCTIONS

## DOUBLE HANGING UNIT - 24" / 30" / 36"

# 2

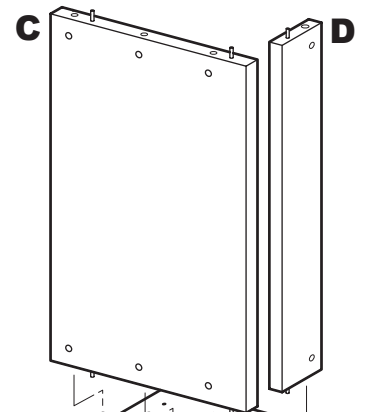


- 2.1** Install one Cam Post (H) into each of the eight holes on Left Side Panel (A) and Right Side Panel (B). Tighten until Cam Posts are seated against Side Panels.



# 3

- 3.1** Assemble Set Shelves (C) and Rear Hanging Cleats (D) onto Right Side Panel (B) by sliding the Shelves and Cleats onto the Cam Posts (H) on Right Side Panel. BE SURE dowel pins in Shelves and Cleats engage drilled holes in Right Side Panel, and all parts are pressed flush against Right Side Panel.



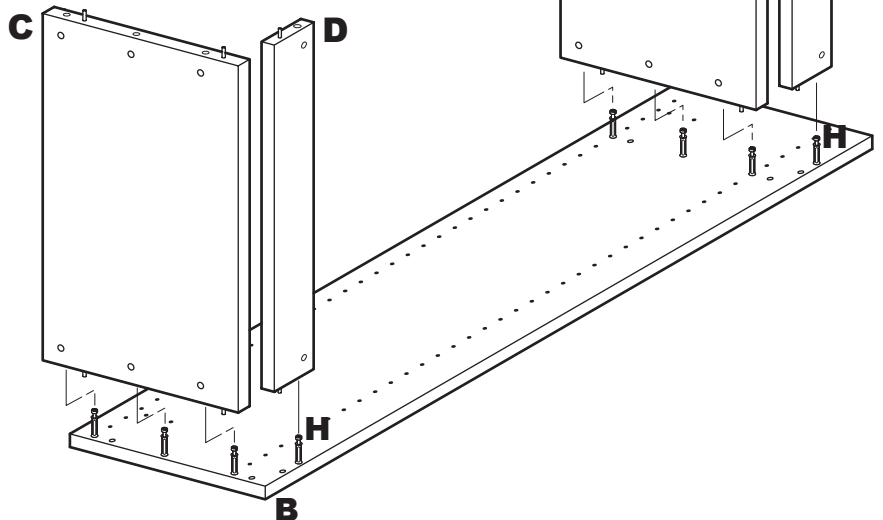
### IMPORTANT NOTES

Install Set Shelves (C) with finished edges facing forward (toward front of unit).

Install Rear Hanging Cleats (D) with holes for Cam Locks facing the rear of the unit and the unfinished edge against the Set Shelf (C).

Install upper Set Shelf (C) with holes for Cam Locks facing the top of the unit.

Install lower Set Shelf (C) with holes for Cam Locks facing the bottom of the unit.

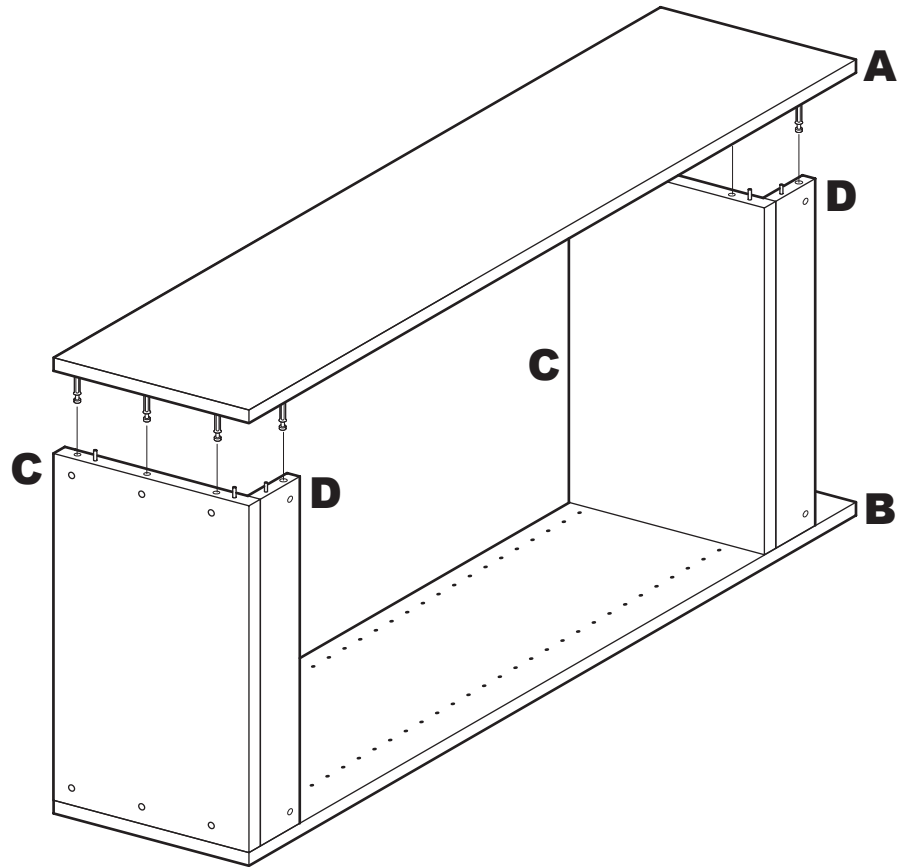


# ASSEMBLY AND INSTALLATION INSTRUCTIONS

## DOUBLE HANGING UNIT - 24" / 30" / 36"

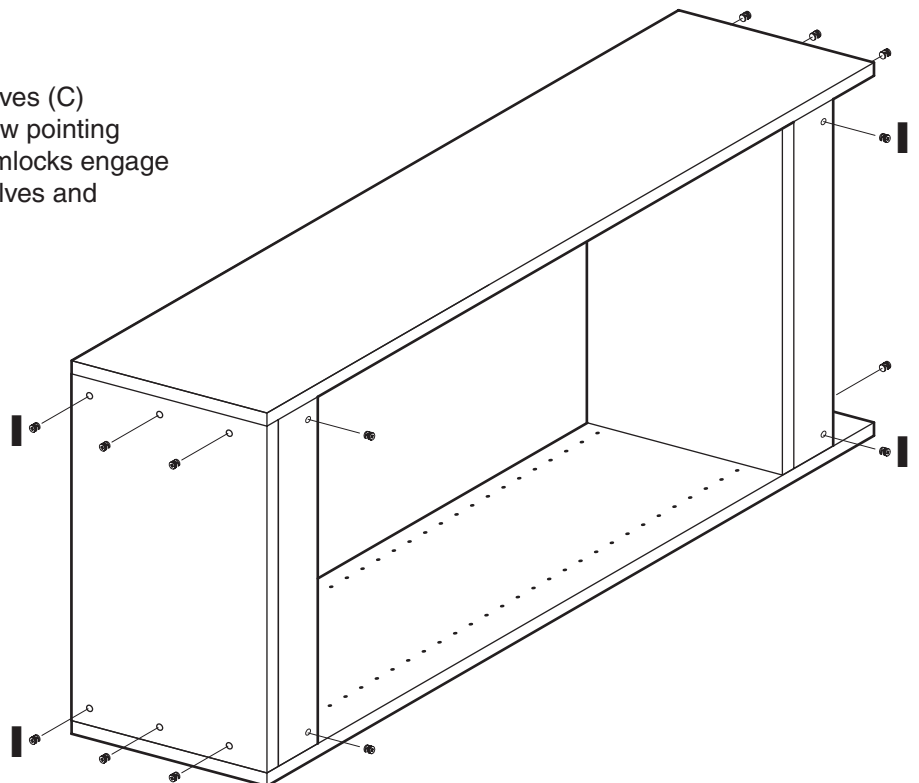
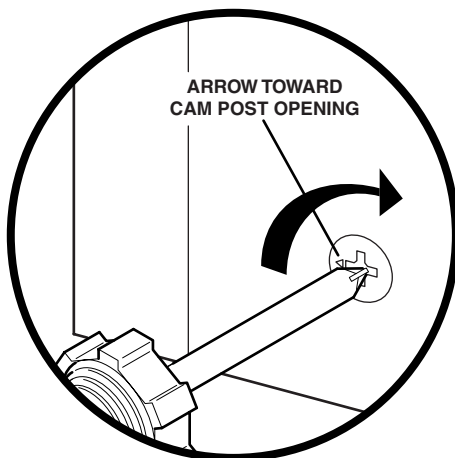
**4**

- 3.1** Install Left Side Panel (A) onto assembled Set Shelves (C) and Rear Hanging Cleats (D). BE SURE dowel pins in Shelves and Cleats engage drilled holes in Left Side Panel, and Left Side Panel is pressed flush against Set Shelves and Cleats.



**5**

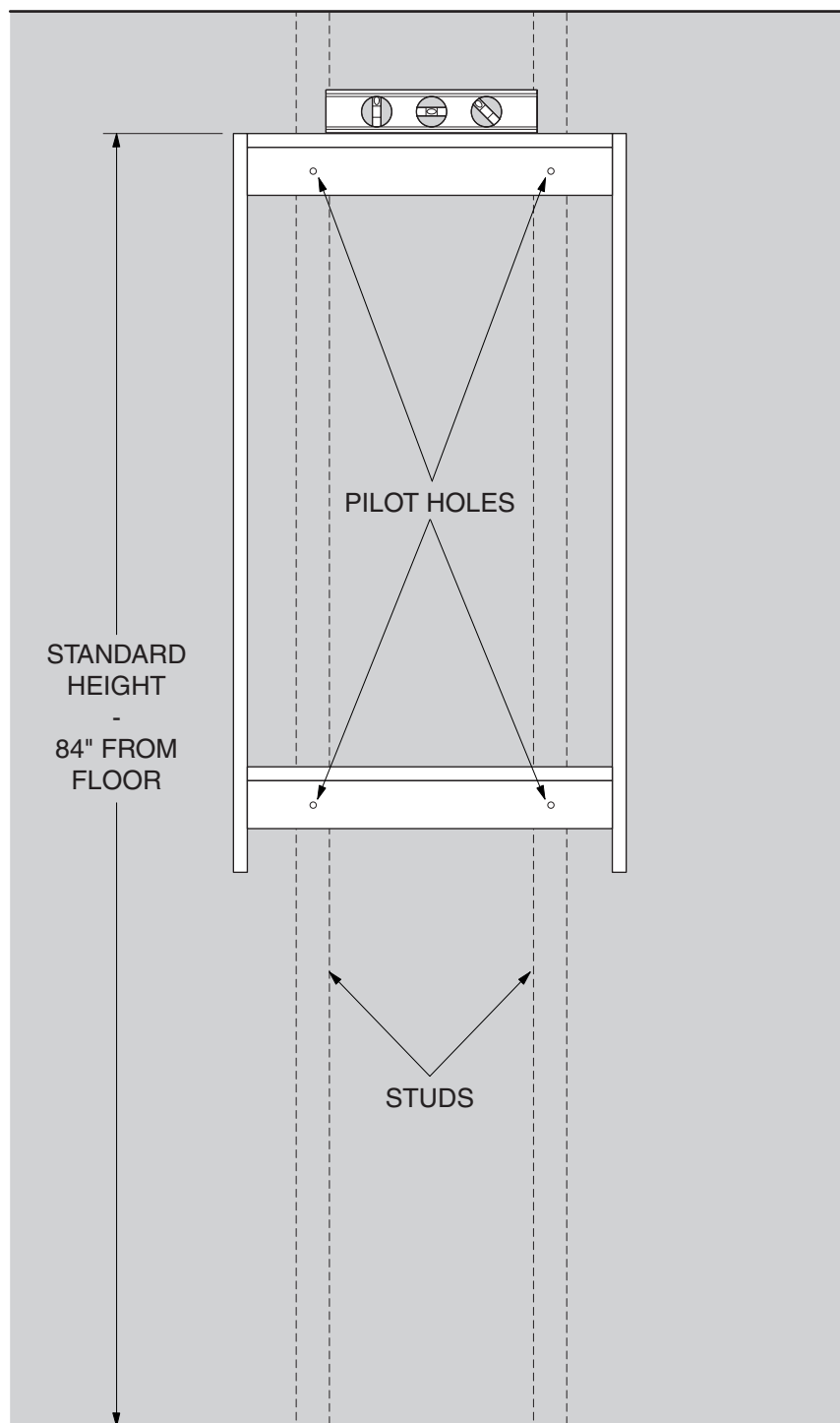
- 5.1** Insert Camlocks (I) in holes in Set Shelves (C) and Rear Hanging Cleats (D), with arrow pointing toward Cam Post opening. Be sure Camlocks engage Cam Posts, and are fully seated in Shelves and Cleats.
- 5.2** Tighten Camlocks (I) clockwise to lock.



# ASSEMBLY AND INSTALLATION INSTRUCTIONS

## DOUBLE HANGING UNIT - 24" / 30" / 36"

**6**



### INSTALLATION

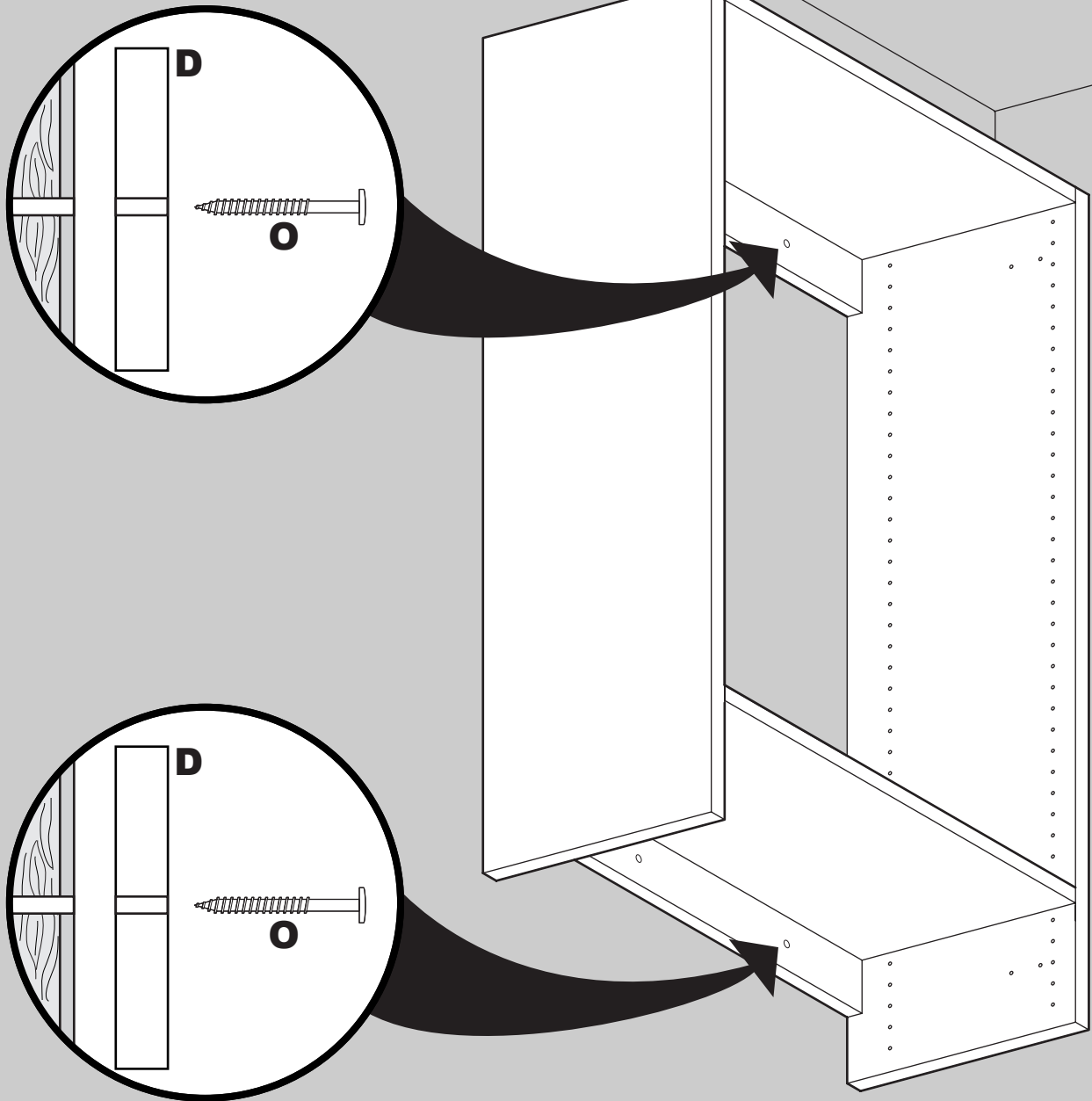
- 6.1** Determine the mounting location for the unit.
- 6.2** Using a stud finder, locate studs to which the unit will be secured. Mark stud locations with a pencil.
- 6.3** With the unit positioned at the desired location, level the unit, then drill pilot holes through Rear Hanging Cleats (D),

**NOTE:** For 24" units, it is likely that only one stud will pass through the unit. In these cases, use two screws through each Rear Hanging Cleat.

# ASSEMBLY AND INSTALLATION INSTRUCTIONS

## DOUBLE HANGING UNIT - 24" / 30" / 36"

**7**

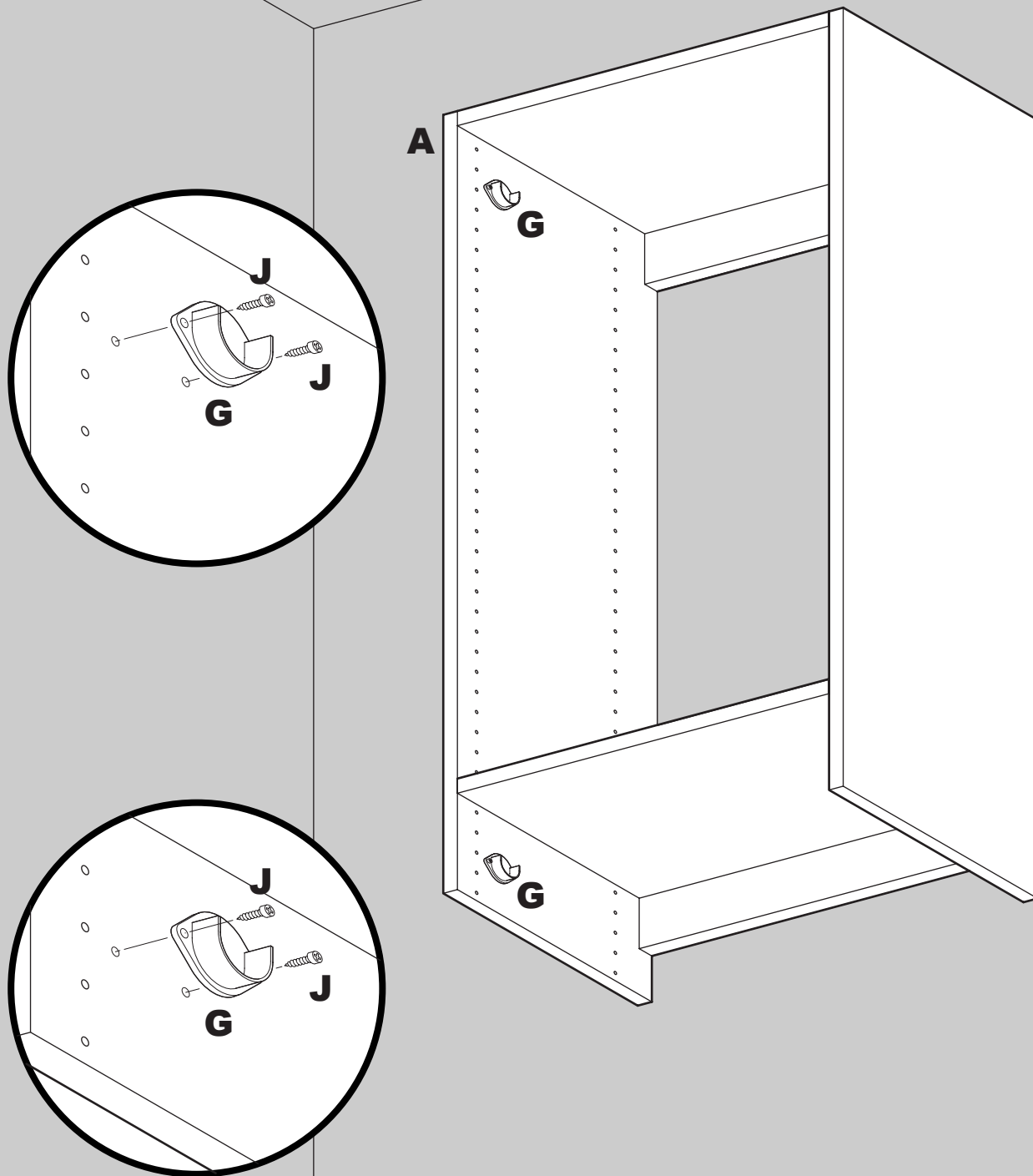


**7.1** Secure Rear Hanging Cleats (D) to studs using 3" Screws (O).

# ASSEMBLY AND INSTALLATION INSTRUCTIONS

## DOUBLE HANGING UNIT - 24" / 30" / 36"

**8**

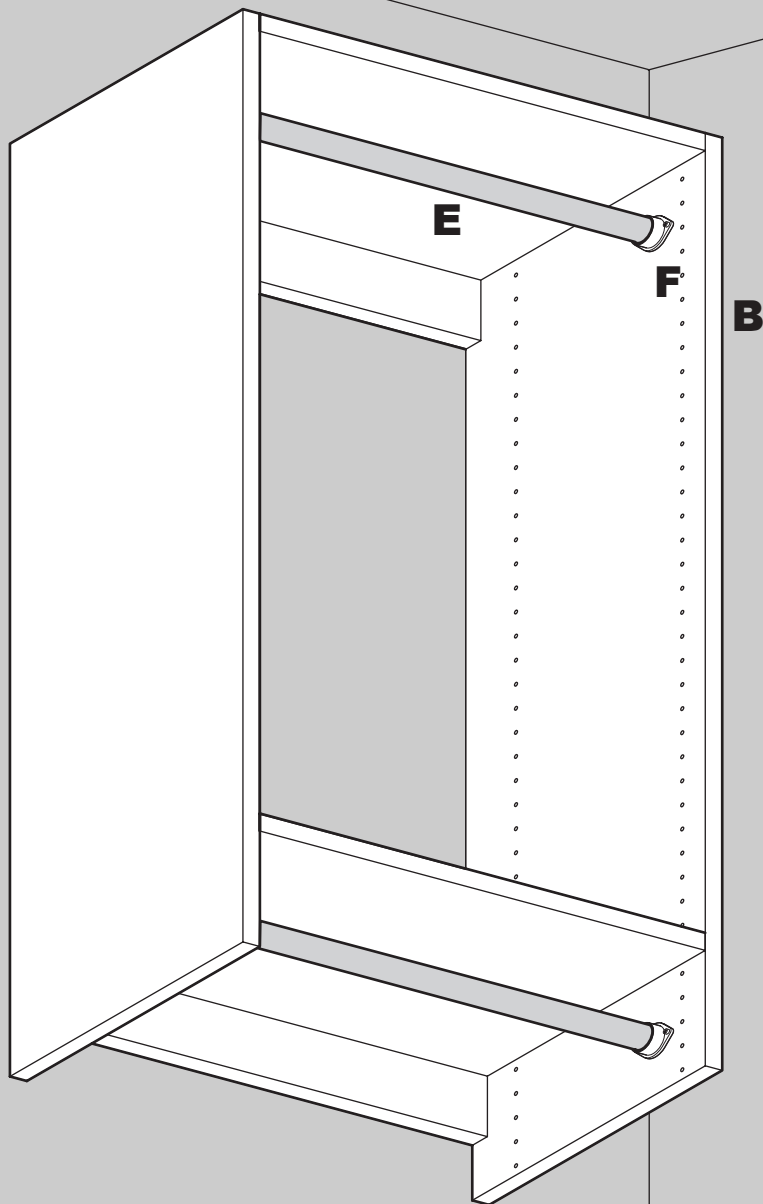
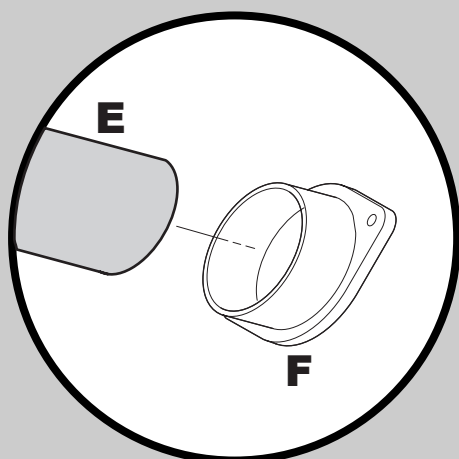
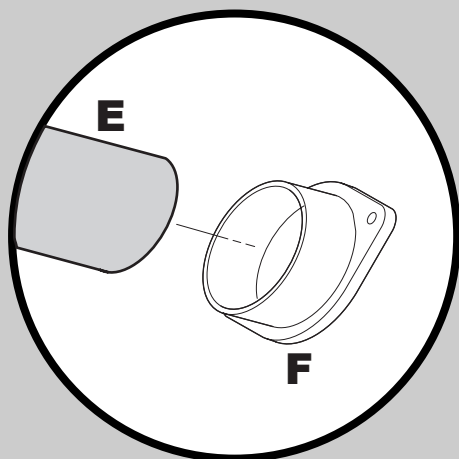


**8.1** Position upper "U" Bracket (G) on Left Side Panel (A) and secure each Bracket with two screws (J). Repeat for lower "U" Bracket (G).

# ASSEMBLY AND INSTALLATION INSTRUCTIONS

## DOUBLE HANGING UNIT - 24" / 30" / 36"

9



**NOTE:** Use care when installing Hanging Rods (E) to avoid scratching finish inside unit.

- 9.1** Insert one end of upper Hanging Rod (E) into "O" Bracket (F).
- 9.2** Slide assembled Hanging Rod (E) and "O" Bracket (F) into unit. Rest free end of Hanging Rod in "U" Bracket.
- 9.3** Secure "O" Bracket (F) to Right Side Panel (B) with two Screws (J).
- 9.4** Repeat for lower Hanging Rod (E) and "O" Bracket (F).