



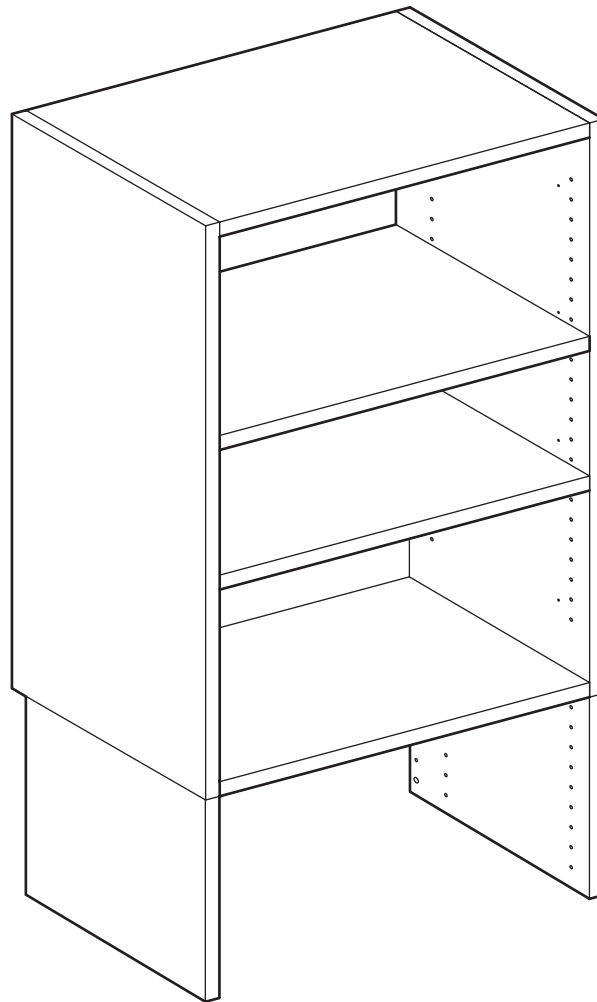
MODULAR CLOSETS

1-844-969-4247

support@modularclosets.com

CUBBY TOWER

18" / 24" / 30"



ASSEMBLY AND INSTALLATION INSTRUCTIONS

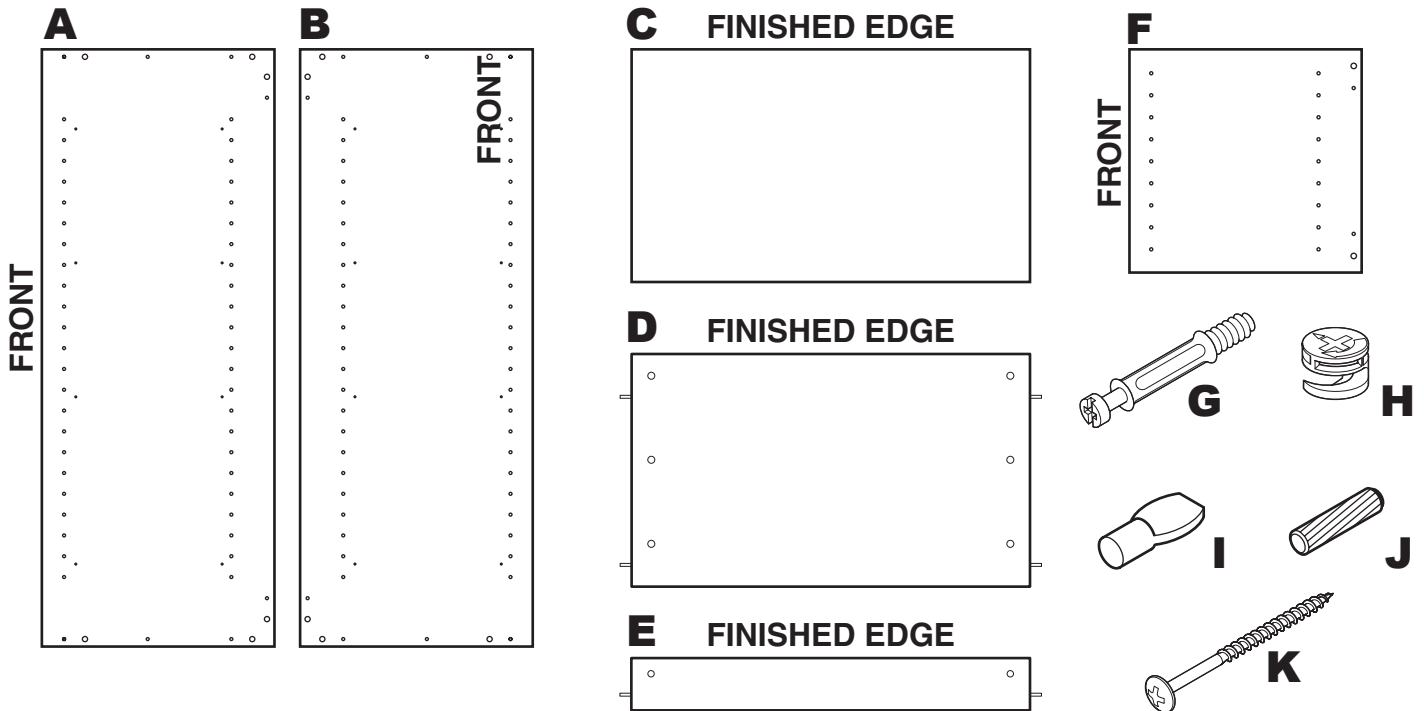
ASSEMBLY AND INSTALLATION INSTRUCTIONS

CUBBY TOWER - 18" / 24" / 30"

1

PARTS LIST

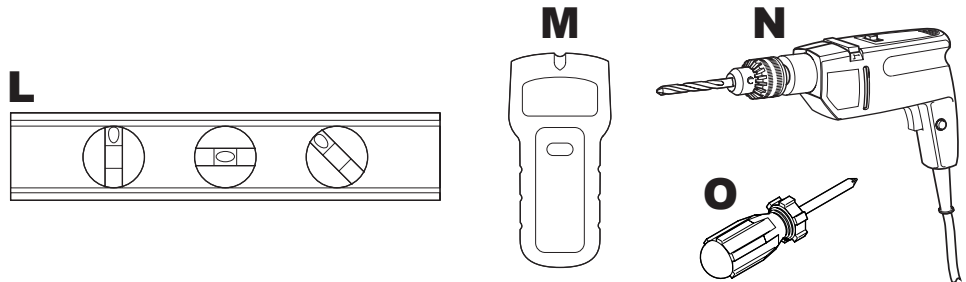
- | | | | |
|----------|-----------------------------|----------|---------------------|
| A | Left Side Panel (Qty 1) | G | Cam Post (Qty 18) |
| B | Right Side Panel (Qty 1) | H | Camlock (Qty 19) |
| C | Adjustable Shelf (Qty 2) | I | Shelf Pins (Qty 8) |
| D | Set Shelf (Qty 2) | J | Wood Dowels (Qty 4) |
| E | Rear Hanging Cleat (Qty 3) | K | Screws, 3" (Qty 9) |
| F | Floor Support Panel (Qty 2) | | |



TOOLS REQUIRED

(purchased separately)

- L** Level
- M** Stud Finder
- N** Drill, 3/32" bit size
- O** Phillips Screwdriver

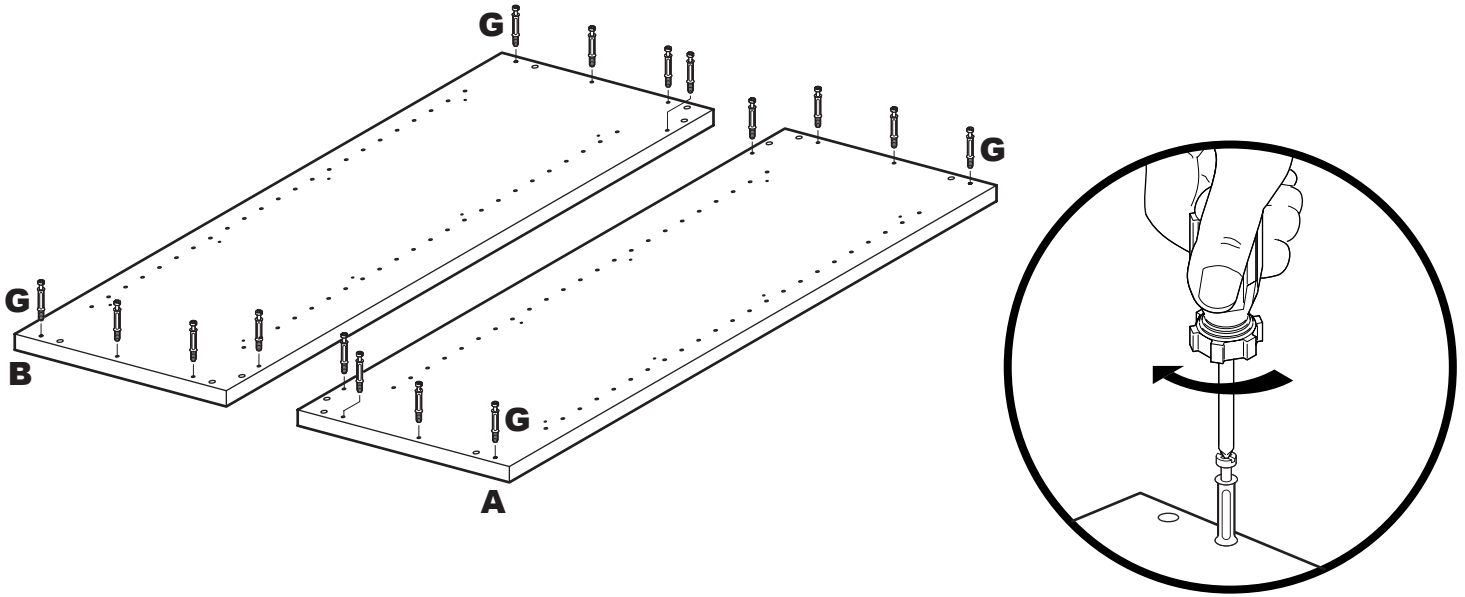


- 1.1** Lay parts out on a protective surface to prevent damage. *Tip: Spread out the cardboard packaging to use as a protective surface.*
- 1.2** Inventory parts against the Parts List. Make sure all parts are present before proceeding.

ASSEMBLY AND INSTALLATION INSTRUCTIONS

CUBBY TOWER - 18" / 24" / 30"

2



2.1 Install one Cam Post (F) into each of the eight holes on Left Side Panel (A) and Right Side Panel (B). Tighten until Cam Posts are seated against Side Panels.

NOTE: There are drilled holes in the bottom edge of Side Panels for installation of Floor Support Panels.



3

3.1 Assemble Set Shelves (D) and Rear Hanging Cleats (E) onto Right Side Panel (B) by sliding the Shelves and Cleats onto the Cam Posts (F) on Side Panel. **BE SURE** dowel pins in Shelves and Cleats engage drilled holes in Side Panel, and all parts are pressed flush against Side Panel.

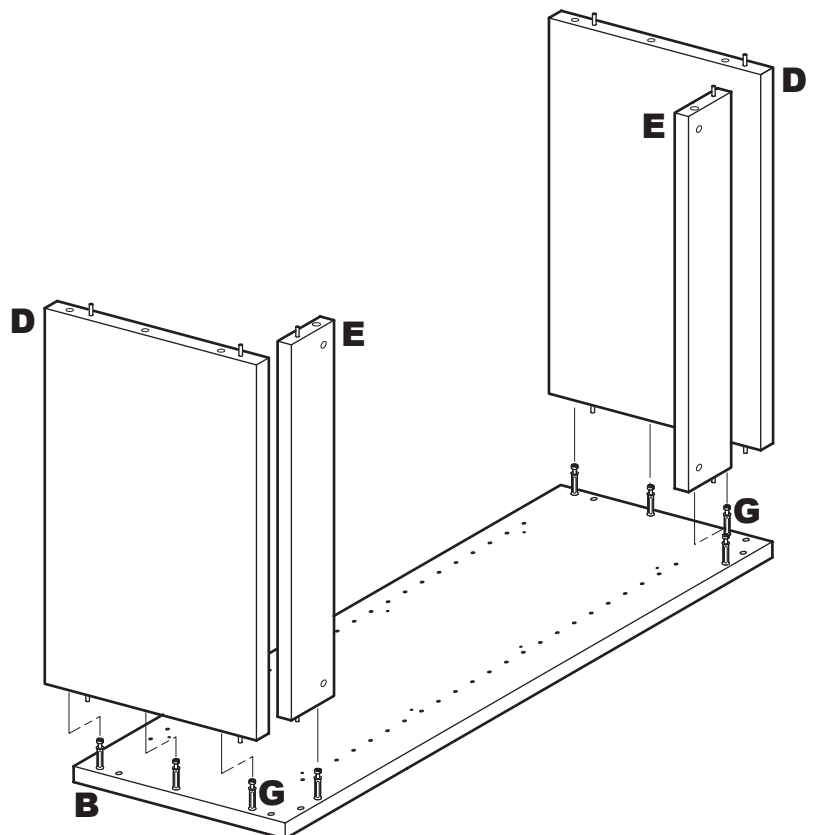
IMPORTANT NOTES

Install Set Shelves (D) with finished edges facing forward (toward front of unit).

Install Rear Hanging Cleats (E) with holes for Cam Locks facing the rear of the unit and the unfinished edge against the Set Shelf (D).

If the Tower will be installed with upper Set Shelf (D) above eye level, install upper Set Shelf (D) with holes for Cam Locks facing the top of the unit. If the Tower will be installed with upper Set Shelf (D) below eye level, install upper Set Shelf (D) with holes for Cam Locks facing the bottom of the unit.

Install lower Set Shelf (D) with holes for Cam Locks facing the bottom of the unit.

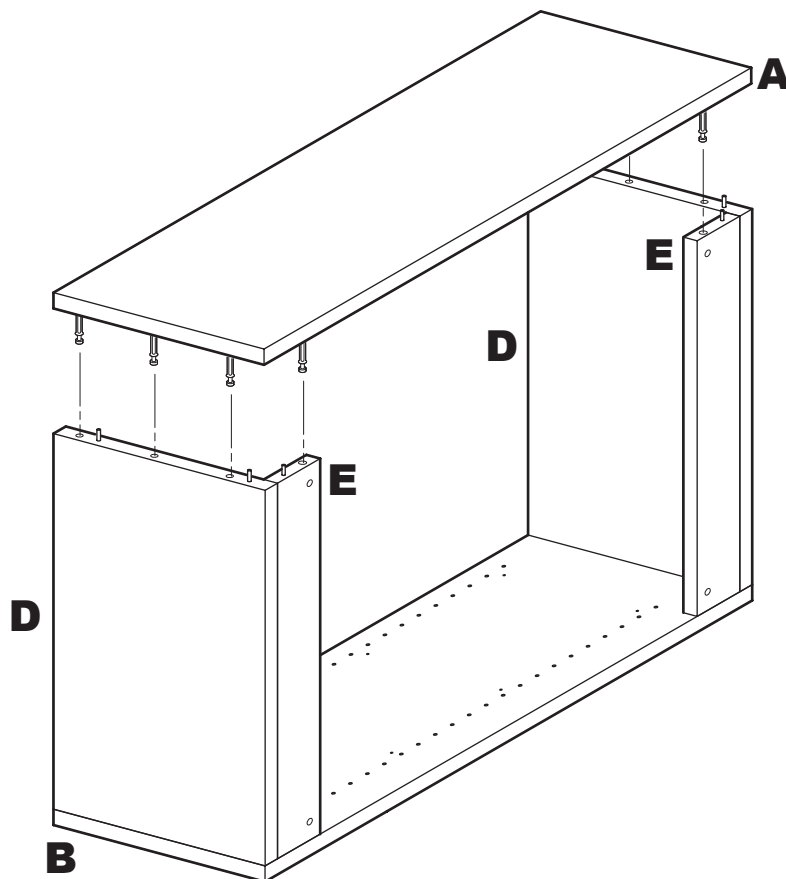


ASSEMBLY AND INSTALLATION INSTRUCTIONS

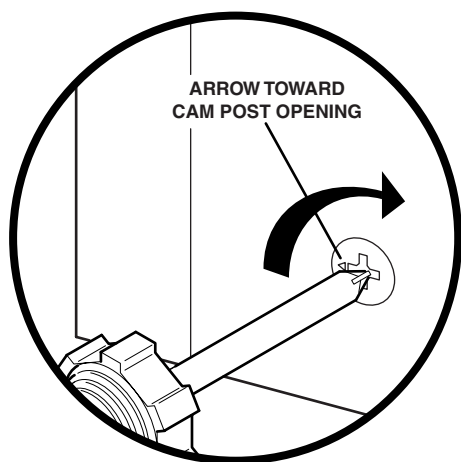
CUBBY TOWER - 18" / 24" / 30"

4

- 4.1** Install Left Side Panel (A) onto assembled Set Shelves (D) and Rear Hanging Cleats (E). BE SURE dowel pins in Shelves and Cleats engage drilled holes in Side Panel, and Side Panel is pressed flush against Set Shelves and Cleats.

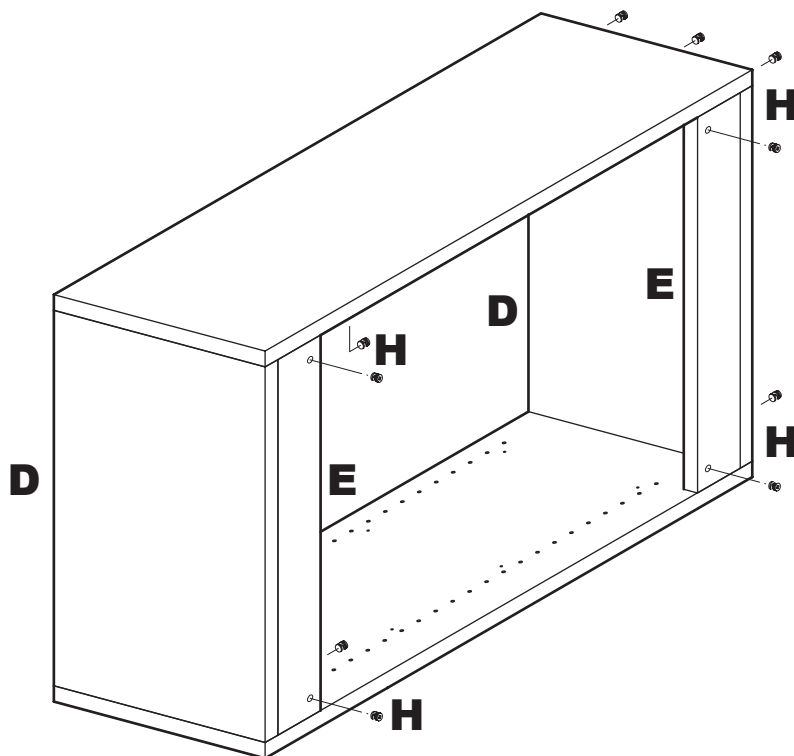


5



- 5.1** Insert Camlocks (H) in holes in Set Shelves (D) and Rear Hanging Cleats (E), with arrow pointing toward Cam Post opening. Be sure Camlocks engage Cam Posts, and are fully seated in Shelves and Cleats.

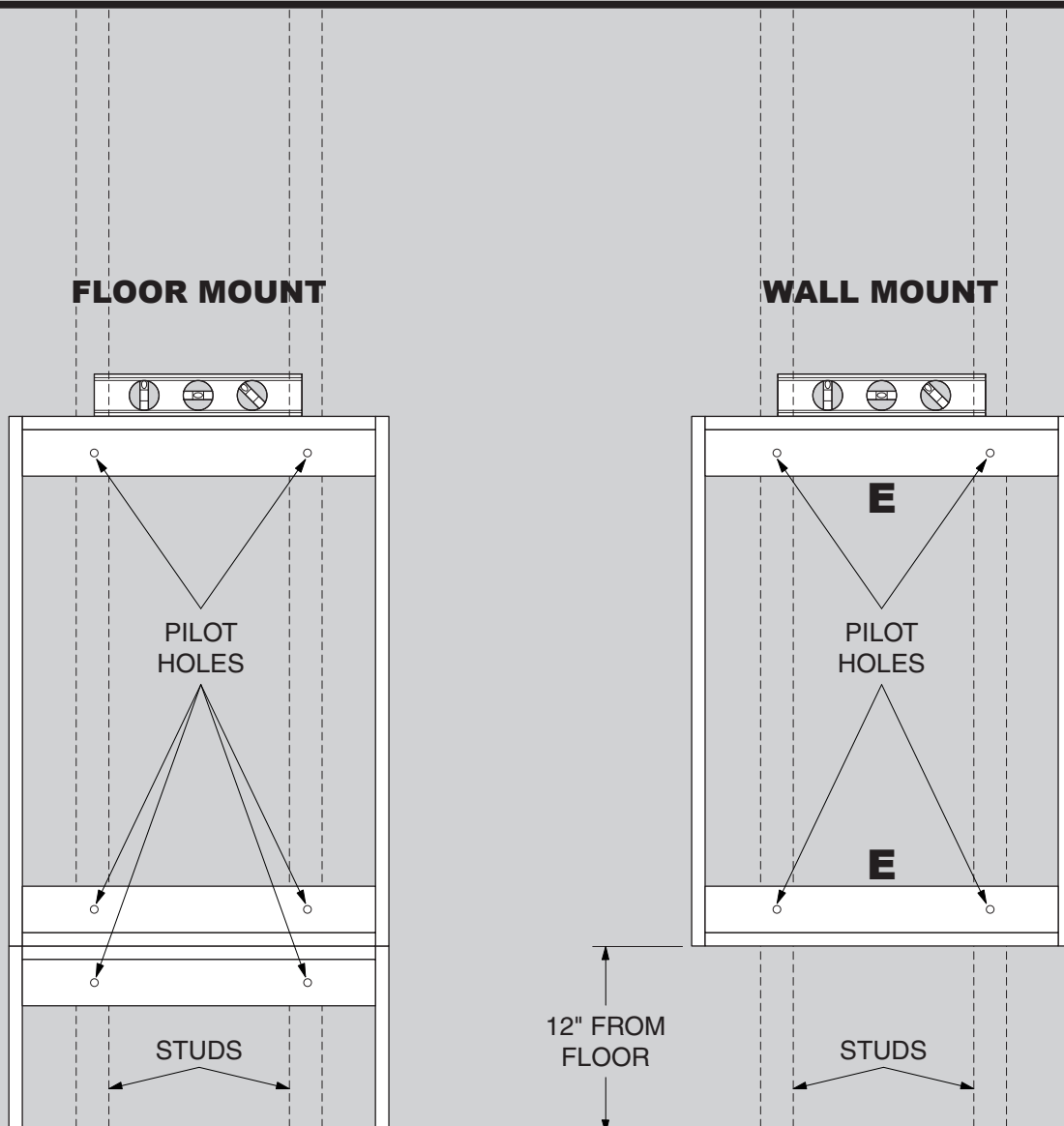
- 5.2** Tighten Camlocks (H) clockwise to lock.



ASSEMBLY AND INSTALLATION INSTRUCTIONS

CUBBY TOWER - 18" / 24" / 30"

7



INSTALLATION

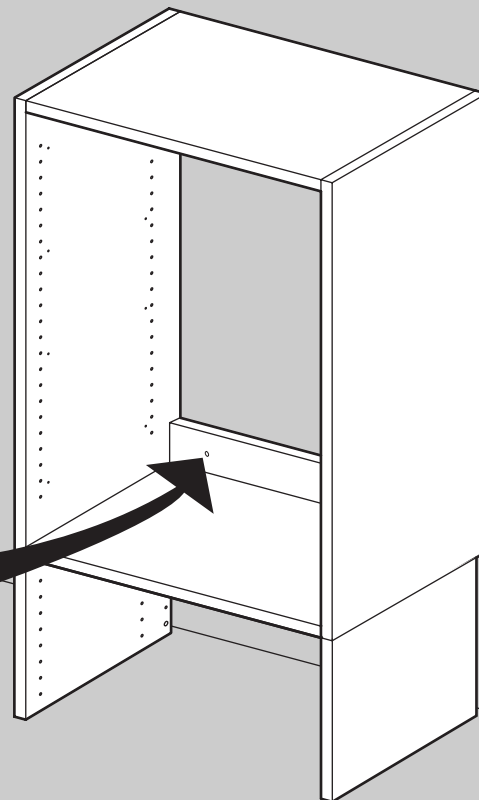
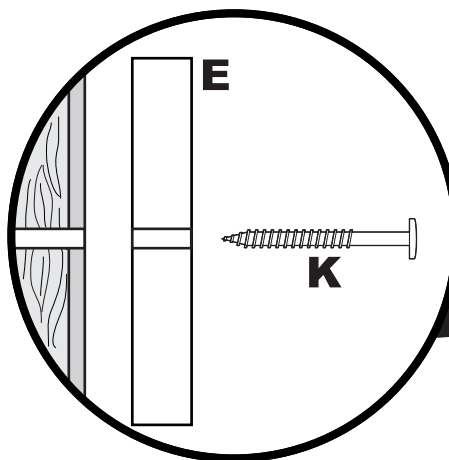
- 7.1** Determine the mounting location for the unit. The unit can be wall mounted or floor mounted (by installing the Floor Support Panels as shown in step 6).
 - 7.2** Using a stud finder, locate studs to which the unit will be secured. Mark stud locations with a pencil.
 - 7.3** With the unit positioned at the desired location, level the unit, then drill pilot holes through Rear Hanging Cleats (E),
- NOTE:** For 18" and 24" units, it is likely that only one stud will pass through the unit. In these cases, use two screws (K) through each Rear Hanging Cleat.

ASSEMBLY AND INSTALLATION INSTRUCTIONS

CUBBY TOWER - 18" / 24" / 30"

8

- 8.1** Secure Rear Hanging Cleats (E) to studs using 3" Screws (K).



9

- 9.1** For each Adjustable Shelf (C), insert four Shelf Pins (I) into pin holes inside the Tower at the desired height.
- 9.2** Rest Adjustable Shelves (C) on Shelf Pins (I).

