



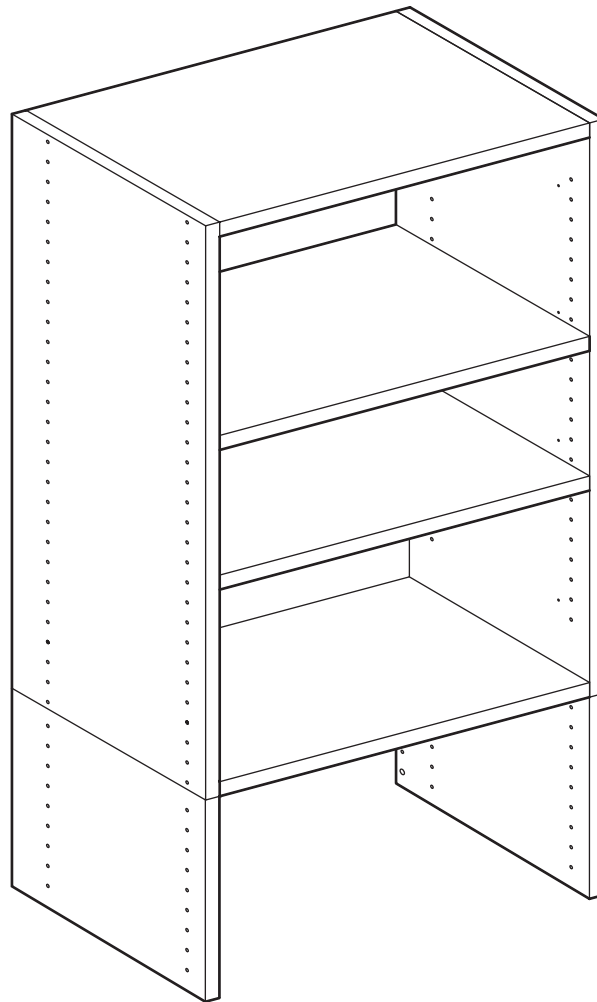
MODULAR CLOSETS

1-844-969-4247

support@modularclosets.com

# CUBBY TOWER

18" / 24" / 30"



## ASSEMBLY AND INSTALLATION INSTRUCTIONS

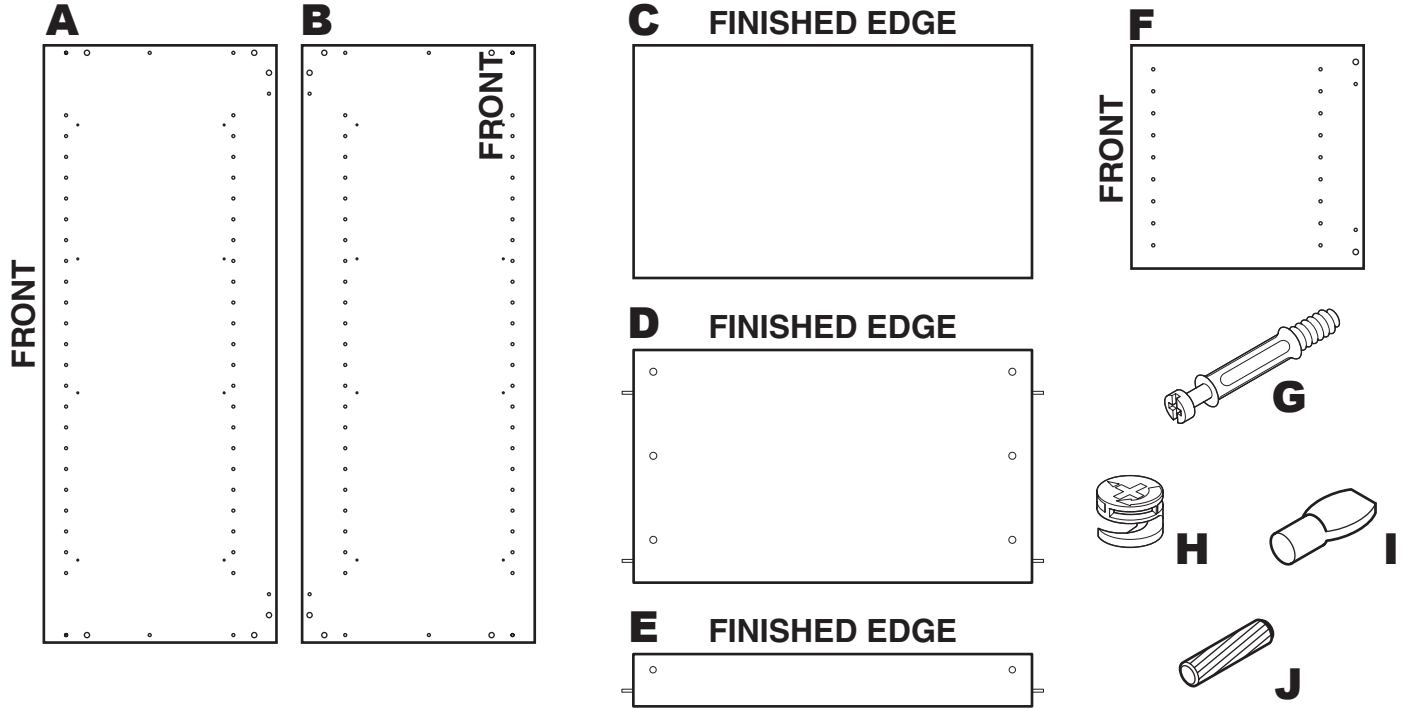
# ASSEMBLY AND INSTALLATION INSTRUCTIONS

## CUBBY TOWER - 18" / 24" / 30"

1

### PARTS LIST

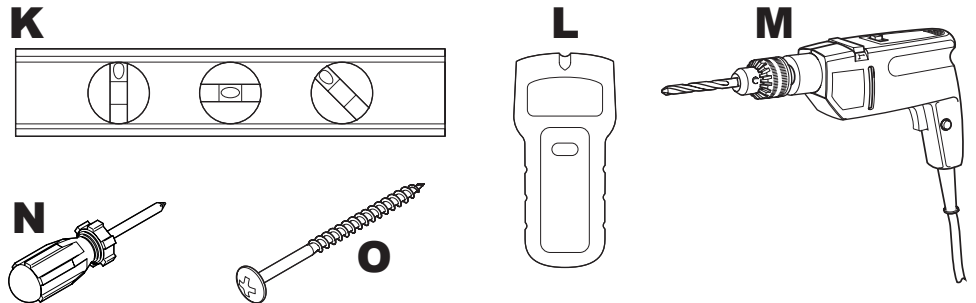
- |          |                            |          |                             |
|----------|----------------------------|----------|-----------------------------|
| <b>A</b> | Left Side Panel (Qty 1)    | <b>F</b> | Floor Support Panel (Qty 2) |
| <b>B</b> | Right Side Panel (Qty 1)   | <b>G</b> | Cam Post (Qty 18)           |
| <b>C</b> | Adjustable Shelf (Qty 2)   | <b>H</b> | Camlock (Qty 19)            |
| <b>D</b> | Set Shelf (Qty 2)          | <b>I</b> | Shelf Pins (Qty 8)          |
| <b>E</b> | Rear Hanging Cleat (Qty 3) | <b>J</b> | Wood Dowels (Qty 4)         |



### TOOLS REQUIRED

(not included)

- K** Level
- L** Stud Finder
- M** Drill, 3/32" bit size
- N** Phillips Screwdriver
- O** Screws, 3"

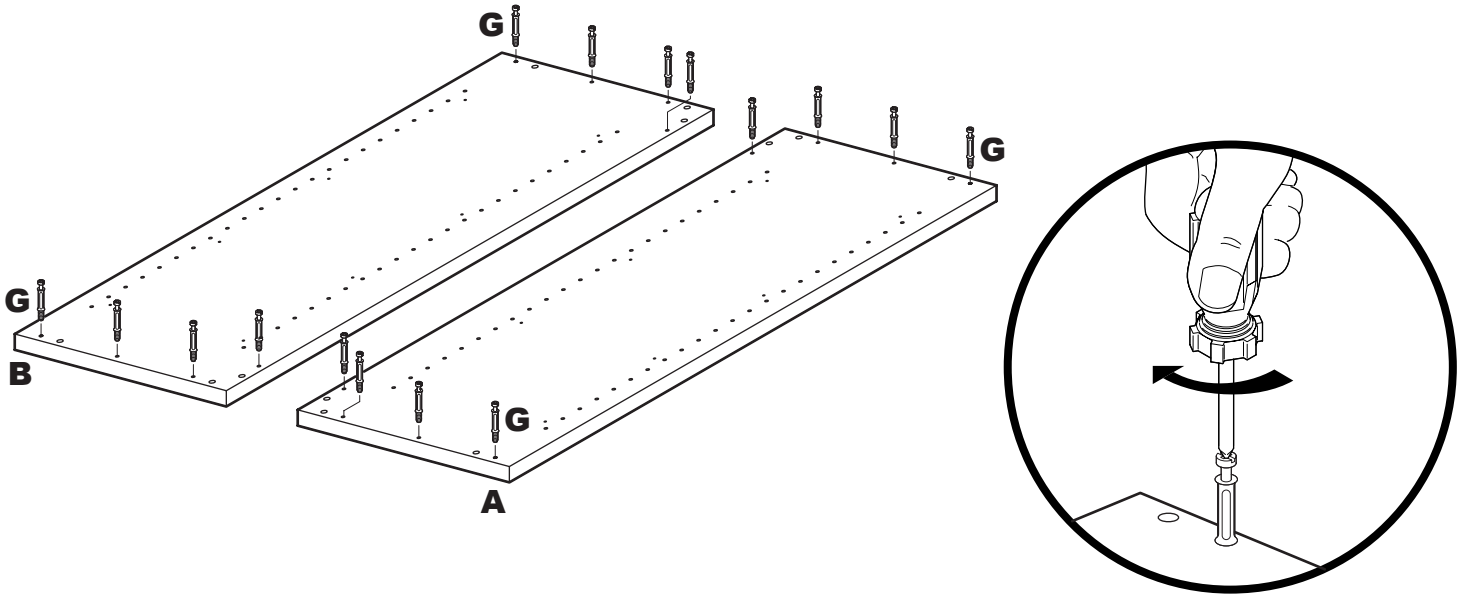


- 1.1** Lay parts out on a protective surface to prevent damage. *Tip: Spread out the cardboard packaging to use as a protective surface.*
- 1.2** Inventory parts against the Parts List. Make sure all parts are present before proceeding.

# ASSEMBLY AND INSTALLATION INSTRUCTIONS

## CUBBY TOWER - 18" / 24" / 30"

# 2



**2.1** Install one Cam Post (F) into each of the eight holes on Left Side Panel (A) and Right Side Panel (B). Tighten until Cam Posts are seated against Side Panels.

**NOTE:** There are drilled holes in the bottom edge of Side Panels for installation of Floor Support Panels.



# 3

**3.1** Assemble Set Shelves (D) and Rear Hanging Cleats (E) onto Right Side Panel (B) by sliding the Shelves and Cleats onto the Cam Posts (F) on Side Panel. **BE SURE** dowel pins in Shelves and Cleats engage drilled holes in Side Panel, and all parts are pressed flush against Side Panel.

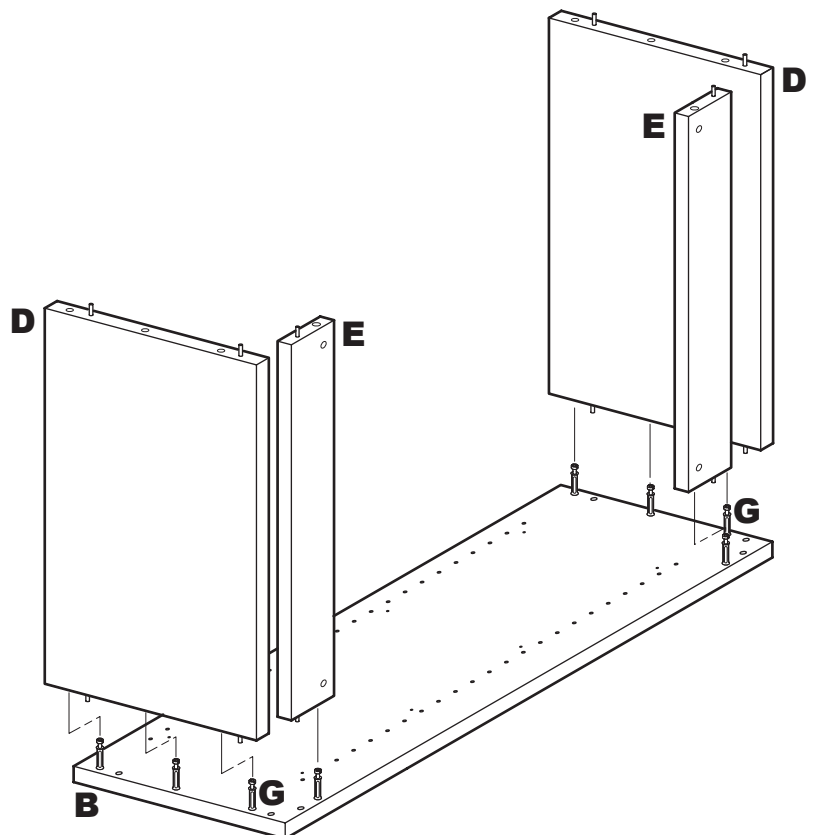
### IMPORTANT NOTES

Install Set Shelves (D) with finished edges facing forward (toward front of unit).

Install Rear Hanging Cleats (E) with holes for Cam Locks facing the rear of the unit and the unfinished edge against the Set Shelf (D).

If the Tower will be installed with upper Set Shelf (D) above eye level, install upper Set Shelf (D) with holes for Cam Locks facing the top of the unit. If the Tower will be installed with upper Set Shelf (D) below eye level, install upper Set Shelf (D) with holes for Cam Locks facing the bottom of the unit.

Install lower Set Shelf (D) with holes for Cam Locks facing the bottom of the unit.

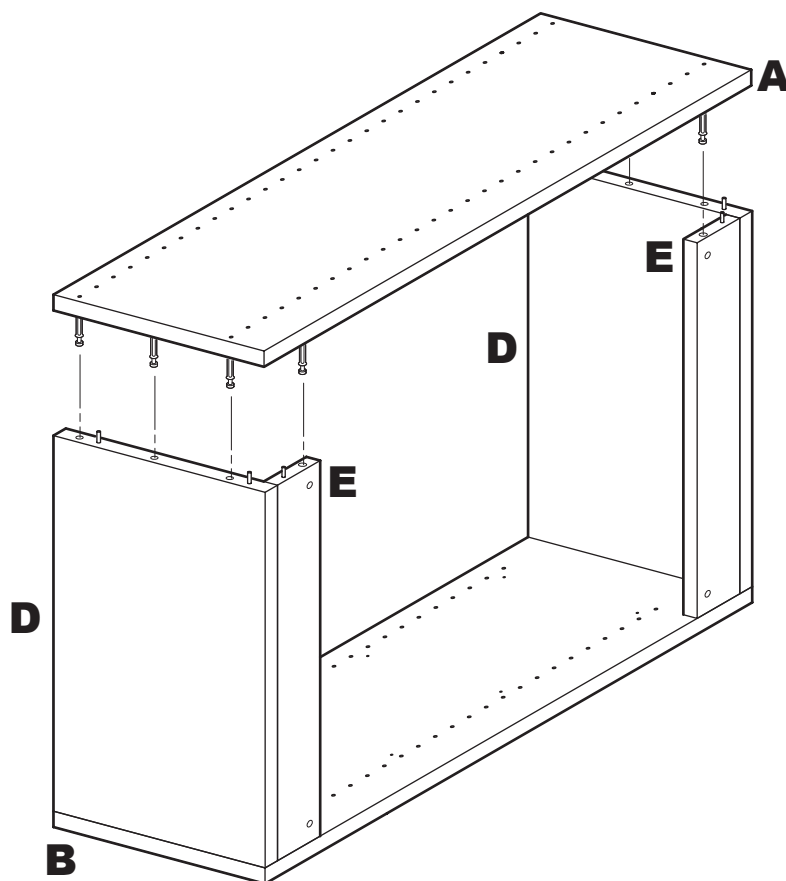


# ASSEMBLY AND INSTALLATION INSTRUCTIONS

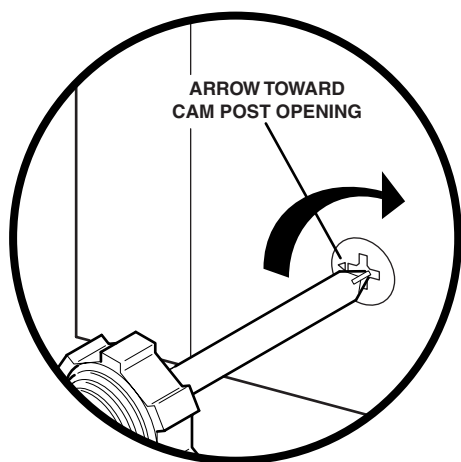
## CUBBY TOWER - 18" / 24" / 30"

# 4

- 4.1** Install Left Side Panel (A) onto assembled Set Shelves (D) and Rear Hanging Cleats (E). BE SURE dowel pins in Shelves and Cleats engage drilled holes in Side Panel, and Side Panel is pressed flush against Set Shelves and Cleats.

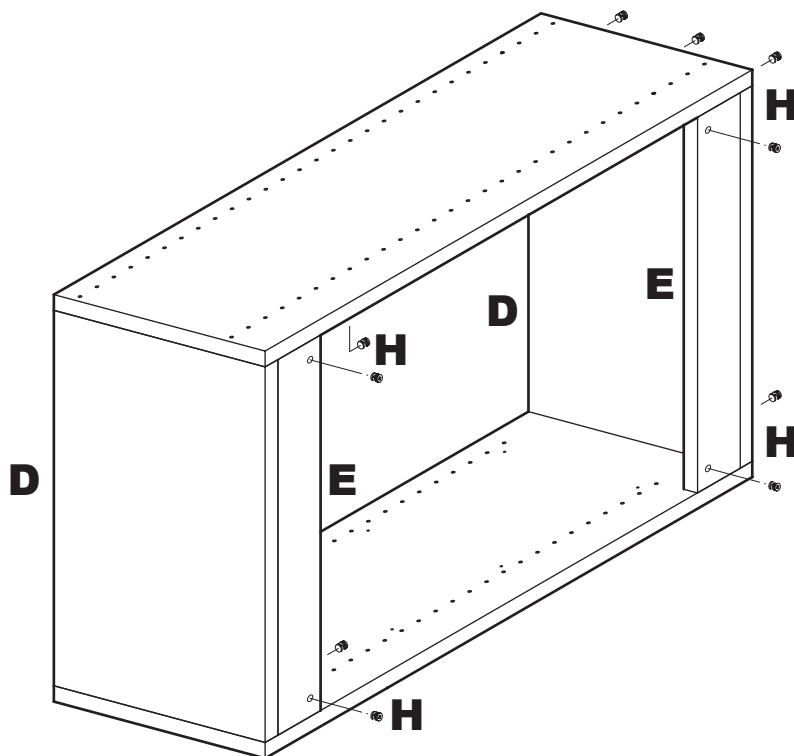


# 5



- 5.1** Insert Camlocks (H) in holes in Set Shelves (D) and Rear Hanging Cleats (E), with arrow pointing toward Cam Post opening. Be sure Camlocks engage Cam Posts, and are fully seated in Shelves and Cleats.

- 5.2** Tighten Camlocks (H) clockwise to lock.



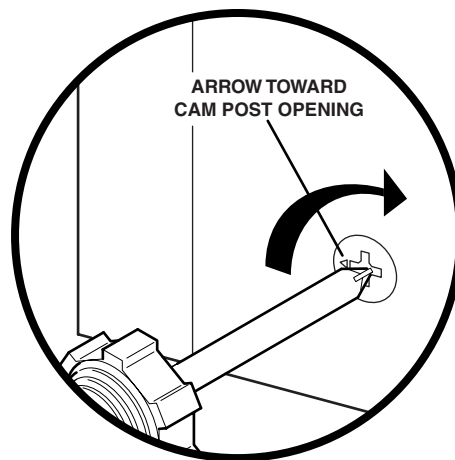
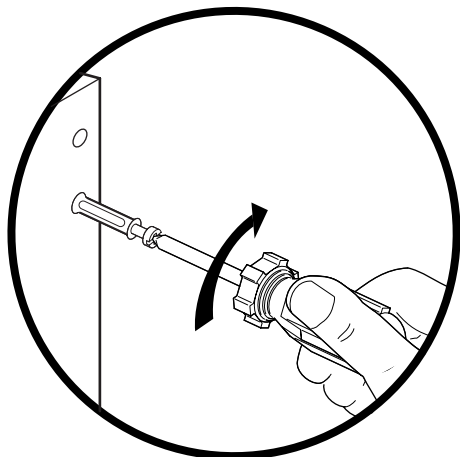
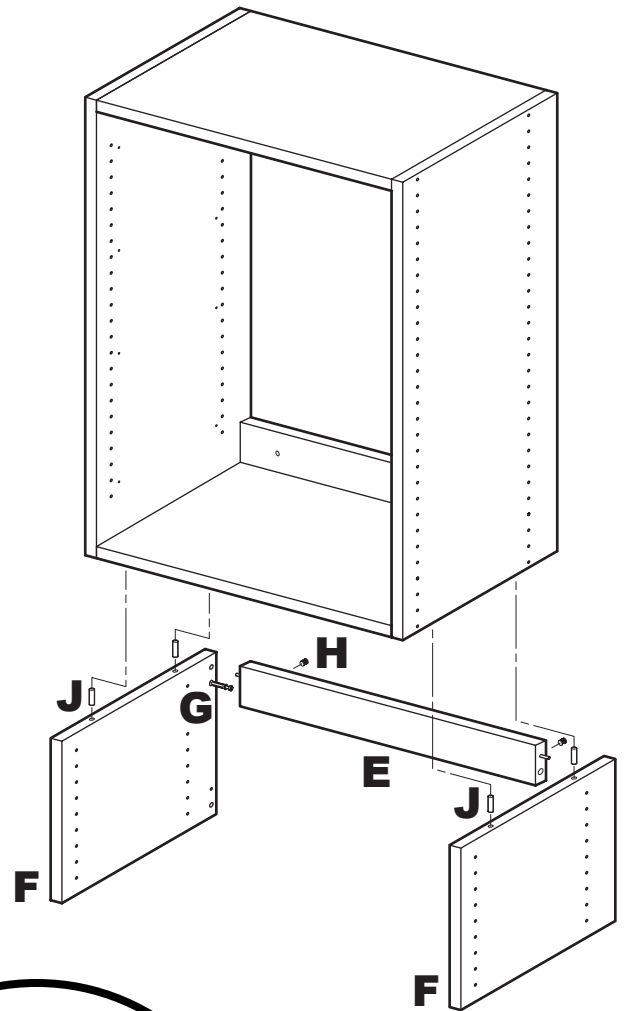
# ASSEMBLY AND INSTALLATION INSTRUCTIONS

## CUBBY TOWER - 18" / 24" / 30"

**6**

### FOR FLOOR MOUNT INSTALLATIONS ONLY

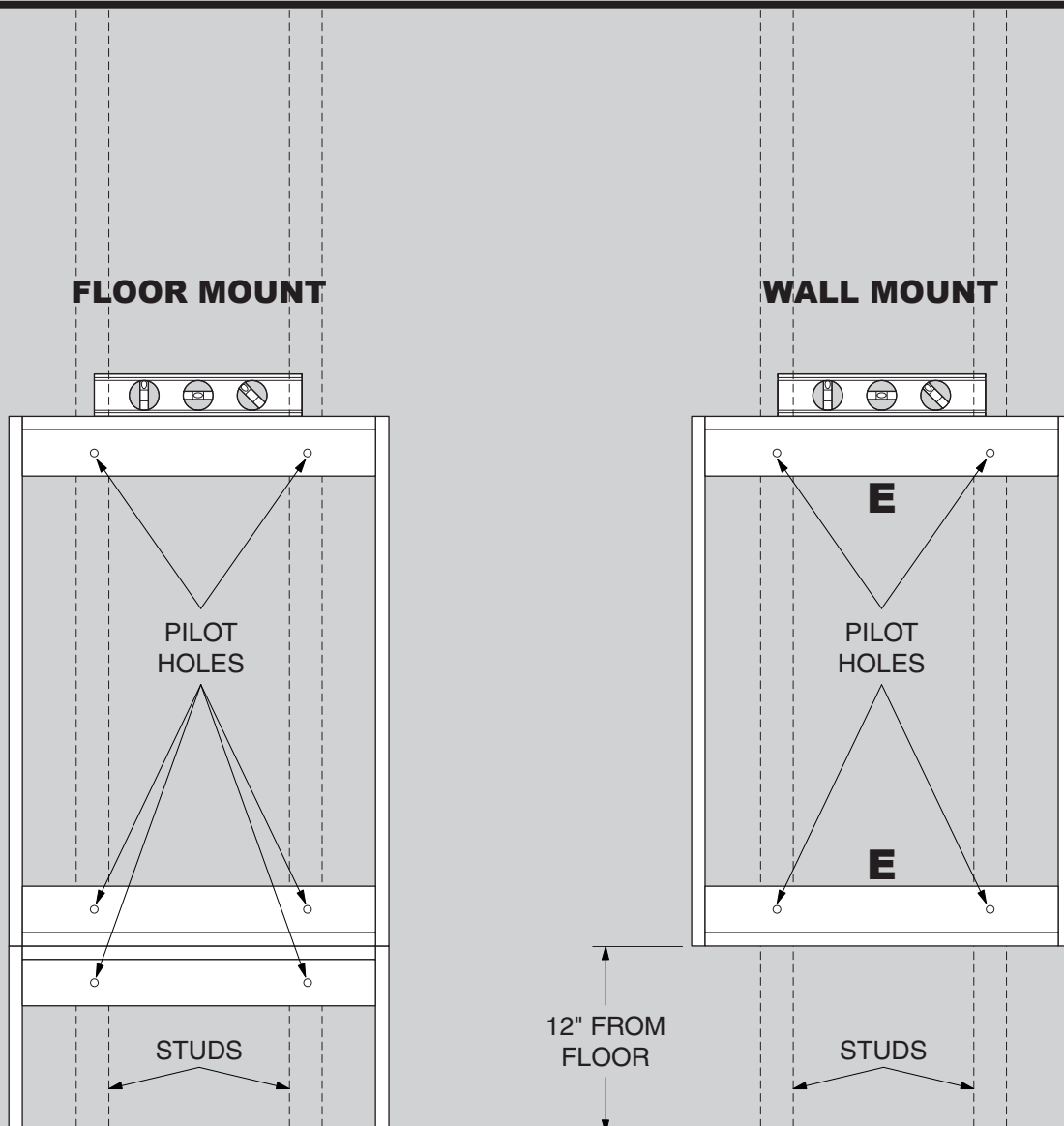
- 6.1** Install one Cam Post (G) into each of two Floor Support Panels (F). Tighten until Cam Posts are seated against Panels.
- 6.2** Assemble Floor Support Panels (F) onto Rear Hanging Cleat (E) by sliding the Cam Posts (G) into Cleat. BE SURE dowel pins in Cleat engage drilled holes in Floor Support Panels, and all parts are pressed flush against each other.
- 6.3** Insert Camlocks (H) in holes in Rear Hanging Cleat (E), with arrow pointing toward Cam Post opening. Be sure Camlocks engage Cam Posts, and are fully seated in Cleat. Tighten Camlocks (H) clockwise to lock.
- 6.4** Insert four Wood Dowels (J) into holes in edges of Floor Support Panels (F).
- 6.5** Align Wood Dowels (J) in assembled Floor Support with holes in Cubby Tower and press Tower and Floor Support together.



# ASSEMBLY AND INSTALLATION INSTRUCTIONS

## CUBBY TOWER - 18" / 24" / 30"

7



## INSTALLATION

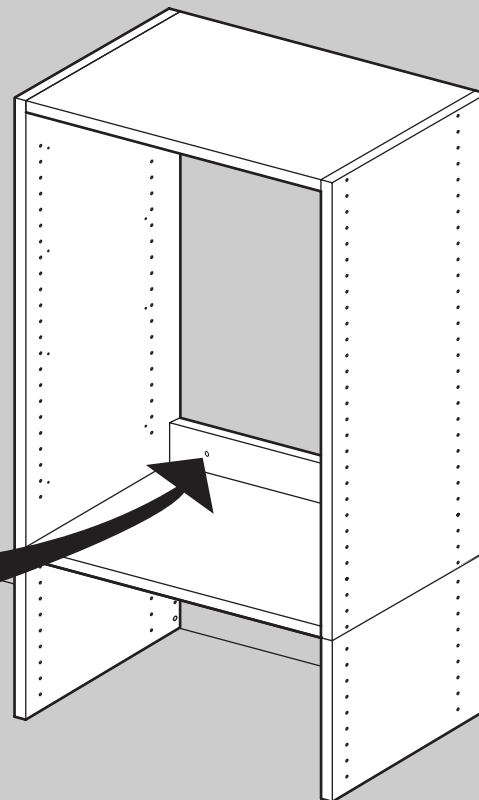
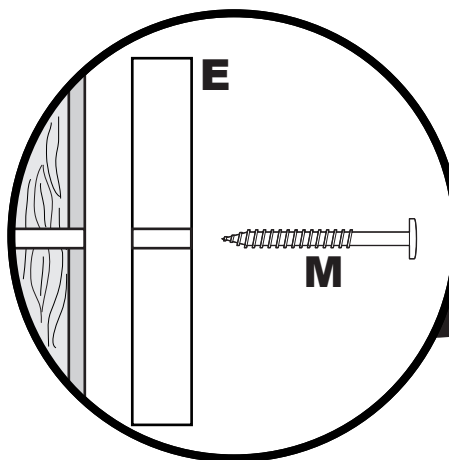
- 7.1** Determine the mounting location for the unit. The unit can be wall mounted or floor mounted (by installing the Floor Support Panels as shown in step 6).
  - 7.2** Using a stud finder, locate studs to which the unit will be secured. Mark stud locations with a pencil.
  - 7.3** With the unit positioned at the desired location, level the unit, then drill pilot holes through Rear Hanging Cleats (E),
- NOTE:** For 18" and 24" units, it is likely that only one stud will pass through the unit. In these cases, use two screws through each Rear Hanging Cleat.

# ASSEMBLY AND INSTALLATION INSTRUCTIONS

## CUBBY TOWER - 18" / 24" / 30"

**8**

- 8.1** Secure Rear Hanging Cleats (E) to studs using 3" Screws (O).



**9**

- 9.1** For each Adjustable Shelf (C), insert four Shelf Pins (I) into pin holes inside the Tower at the desired height.
- 9.2** Rest Adjustable Shelves (C) on Shelf Pins (I).

