



MODULAR CLOSETS

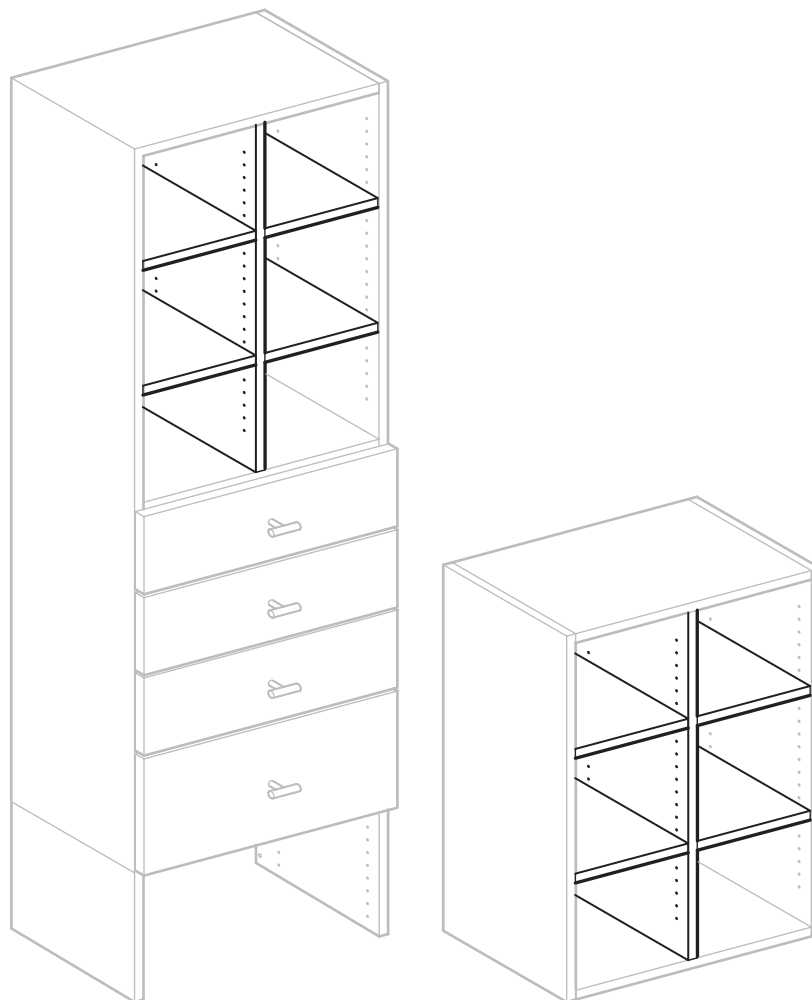
1-844-969-4247

support@modularclosets.com

# CUBBY INSERT

## 18" / 24" / 30"

For use with Shelf Tower Unit or Cubby Unit



# ASSEMBLY AND INSTALLATION INSTRUCTIONS

# ASSEMBLY AND INSTALLATION INSTRUCTIONS

## CUBBY INSERT - 18" / 24" / 30"

# 1

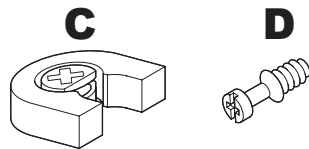
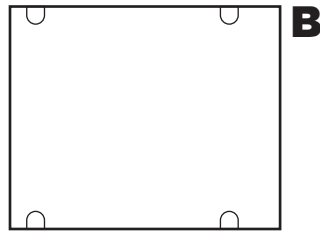
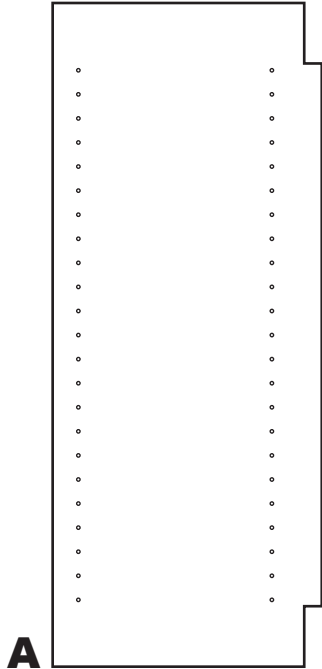
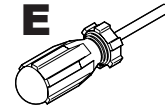
### PARTS LIST

- A** Vertical Support (Qty 1)
- B** Shelf (Qty 4)
- C** Camlock (Qty 16)
- D** Cam Post (Qty 16)

### TOOLS REQUIRED

(purchased separately)

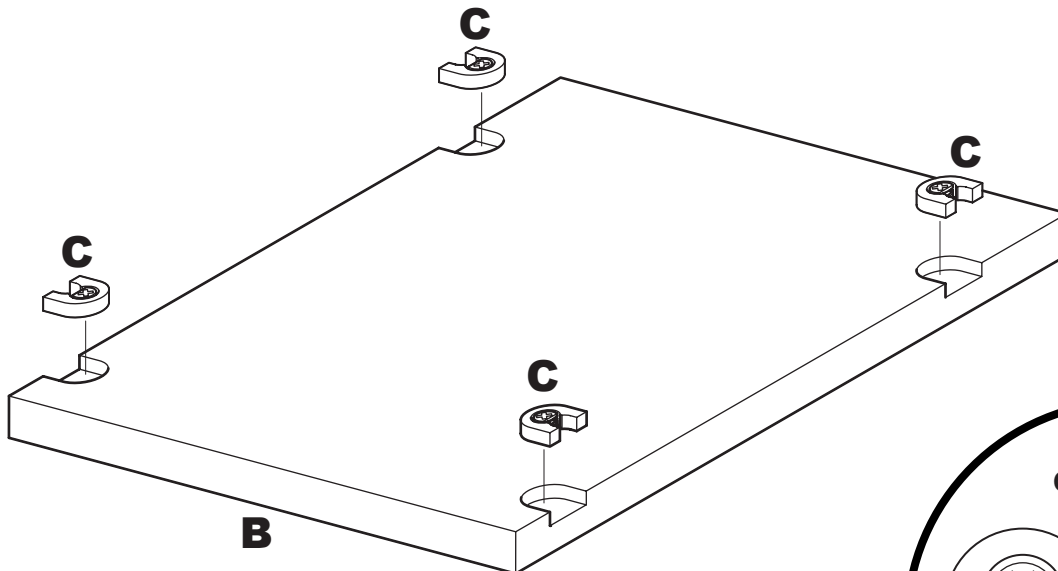
- E** Phillips Screwdriver



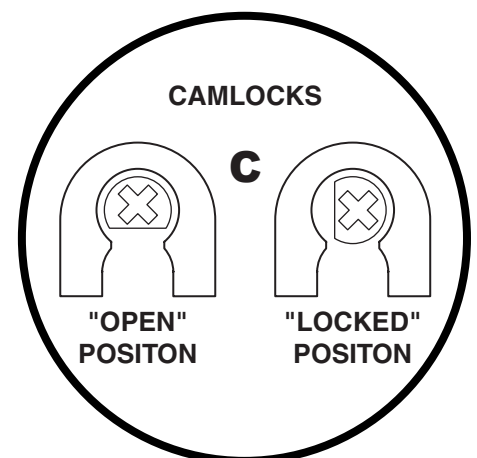
**1.1** Lay parts out on a protective surface to prevent damage. *Tip: Spread out the cardboard packaging to use as a protective surface.*

**1.2** Inventory parts against the Parts List. Make sure all parts are present before proceeding.

# 2



**2.1** Insert Camlocks (C) in cutouts in Shelves (B). Be sure Camlocks are fully seated in Shelves, and are in the "open" position.



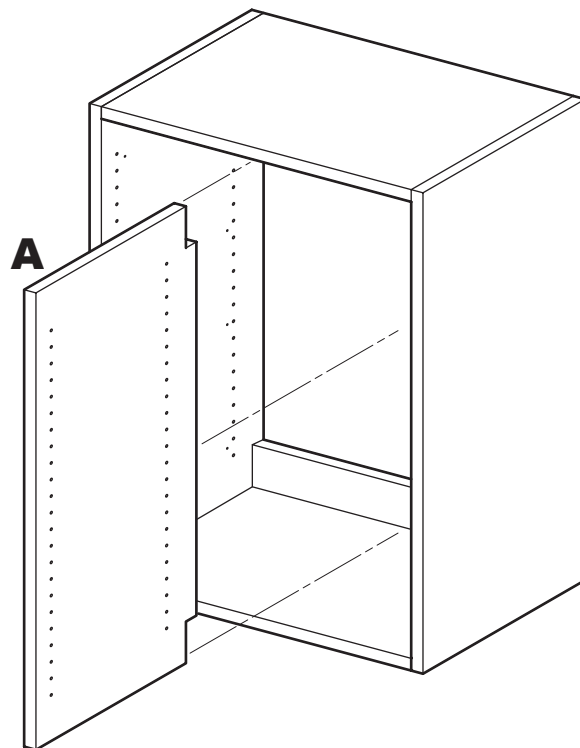
# ASSEMBLY AND INSTALLATION INSTRUCTIONS

## CUBBY INSERT - 18" / 24" / 30"

### 3A

For installation in Cubby Unit or lower compartment of Shelf Tower Unit:

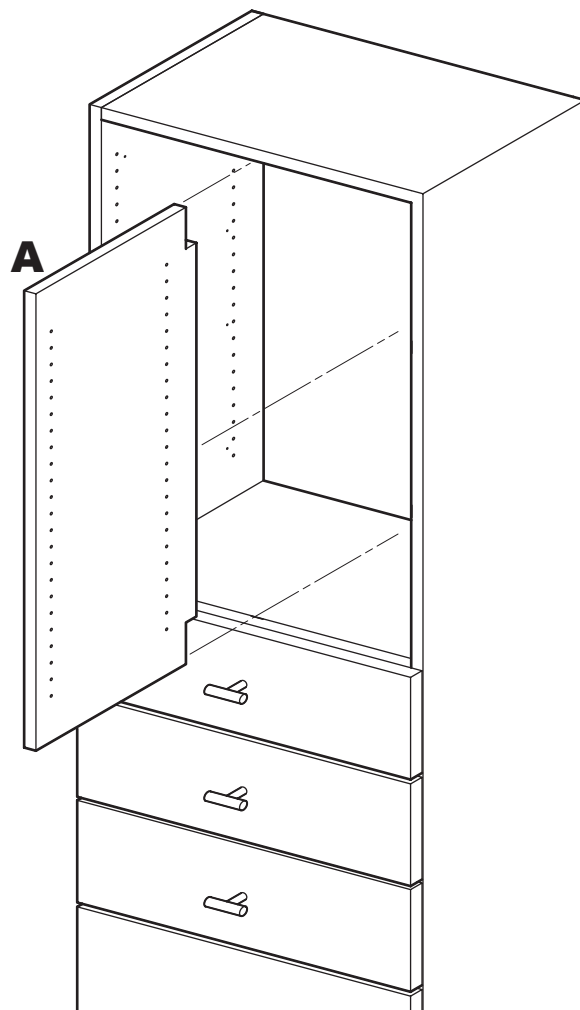
- 3.1 Insert Vertical Support (A) into compartment in Unit.
- 3.2 Make sure cutouts in Vertical Support engage Rear Cleats in Unit and front edge of Support is flush with front of Unit.



### 3B

For installation in upper compartment of Shelf Tower Unit:

- 3.1 Insert Vertical Support (A) into compartment in Unit.
- 3.2 Make sure upper cutout in Vertical Support engages Rear Cleat in Unit and front edge of Support is flush with front of Unit.

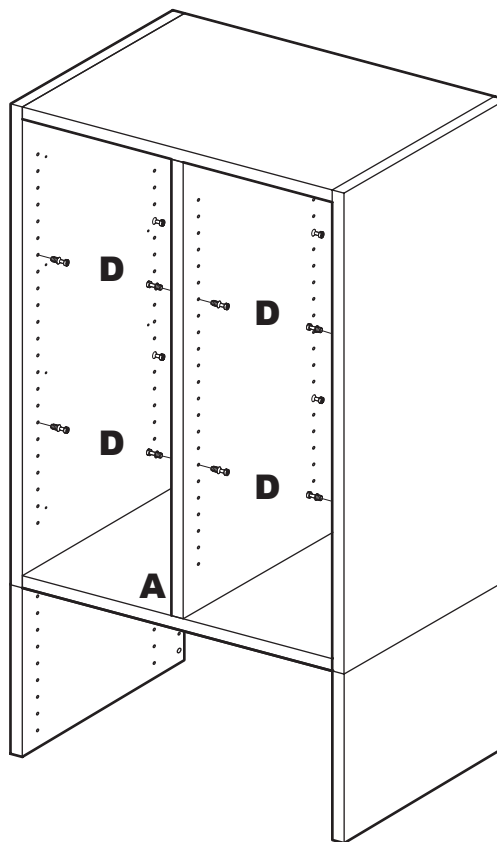
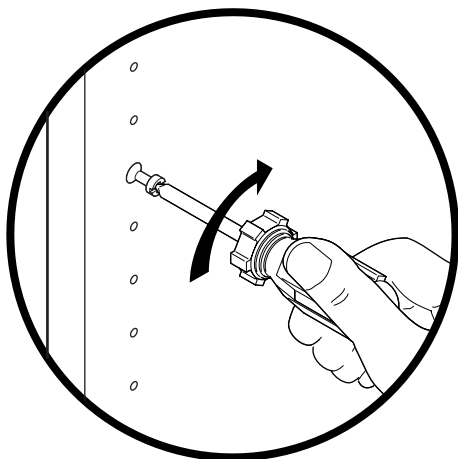


# ASSEMBLY AND INSTALLATION INSTRUCTIONS

## CUBBY INSERT - 18" / 24" / 30"

**4**

- 4.1** For each Shelf (B), screw four Cam Posts (D) into pin holes in Unit side panels and Vertical Support (A) at the desired height until Posts are seated against Panels and Vertical Support.



**5**

- 5.1** Insert Shelves (B) and rest on Cam Posts (D). Make sure Shelves are level and Cam Posts are fully seated in Camlocks (C) in bottom of Shelves.

- 5.2** Tighten Camlocks (C) clockwise to locked position.

