

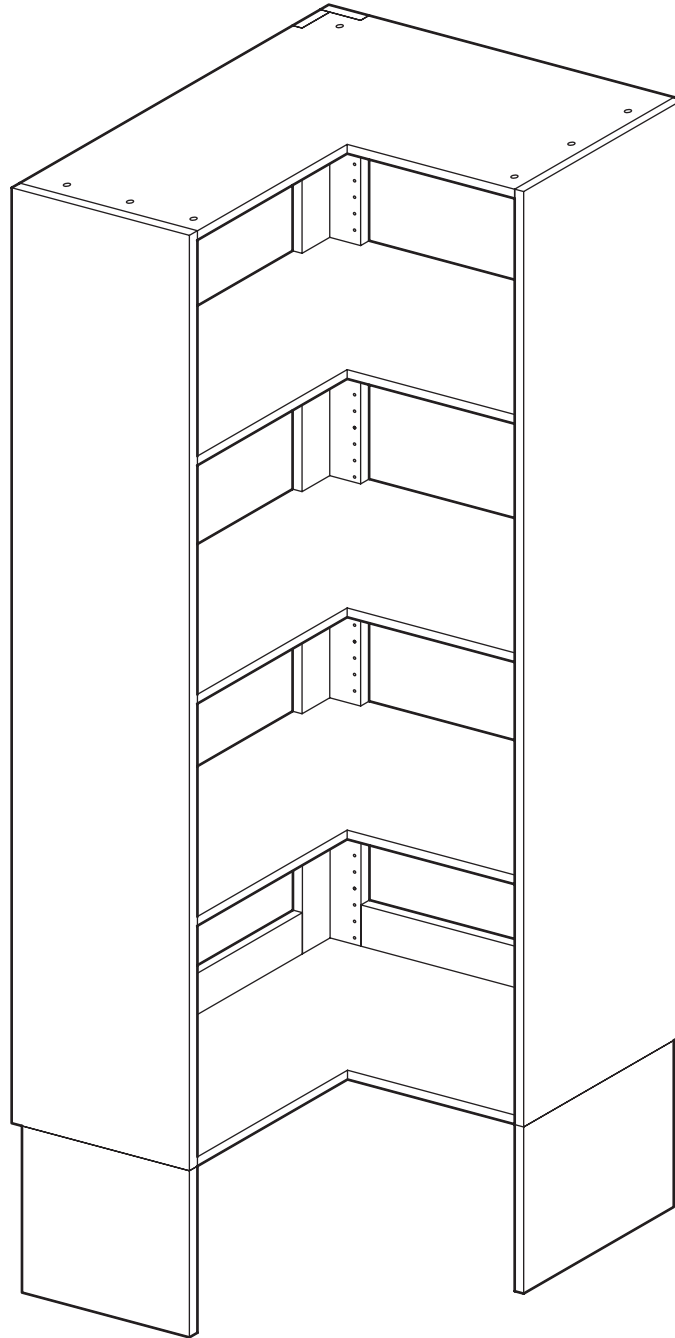


MODULAR CLOSETS

1-844-969-4247

support@modularclosets.com

CORNER TOWER UNIT



ASSEMBLY AND INSTALLATION INSTRUCTIONS

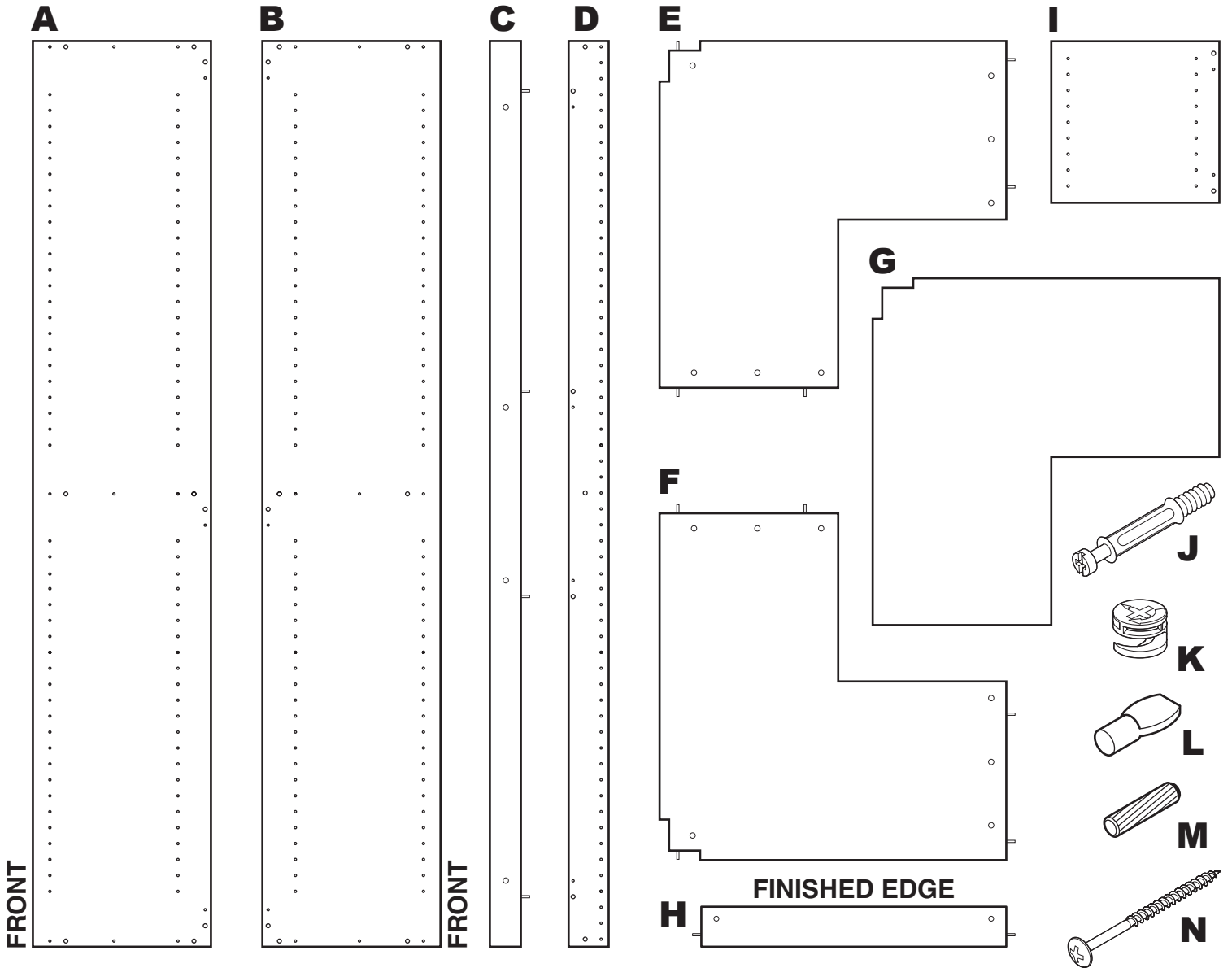
ASSEMBLY AND INSTALLATION INSTRUCTIONS

CORNER TOWER UNIT

1

PARTS LIST

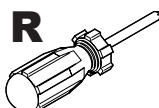
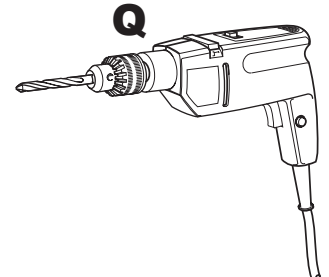
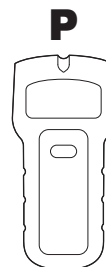
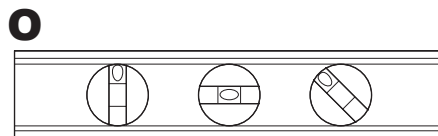
- | | | |
|---------------------------------------|---|----------------------------------|
| A Left Side Panel (Qty 1) | F Center / Lower Set Shelf (Qty 2) | K Camlock (Qty 37) |
| B Right Side Panel (Qty 1) | G Adjustable Shelf (Qty 4) | L Shelf Pins (Qty 20) |
| C Left Vertical Brace (Qty 1) | H Rear Hanging Cleat (Qty 6) | M Wood Dowels (Qty 4) |
| D Right Vertical Brace (Qty 1) | I Floor Panel (Qty 2) | N Screws, 2-1/2" (Qty 12) |
| E Upper Set Shelf (Qty 1) | J Cam Post (Qty 37) | |



TOOLS REQUIRED

(not included)

- O** Level
- P** Stud Finder
- Q** Drill, 3/32" bit size
- R** Phillips Screwdriver



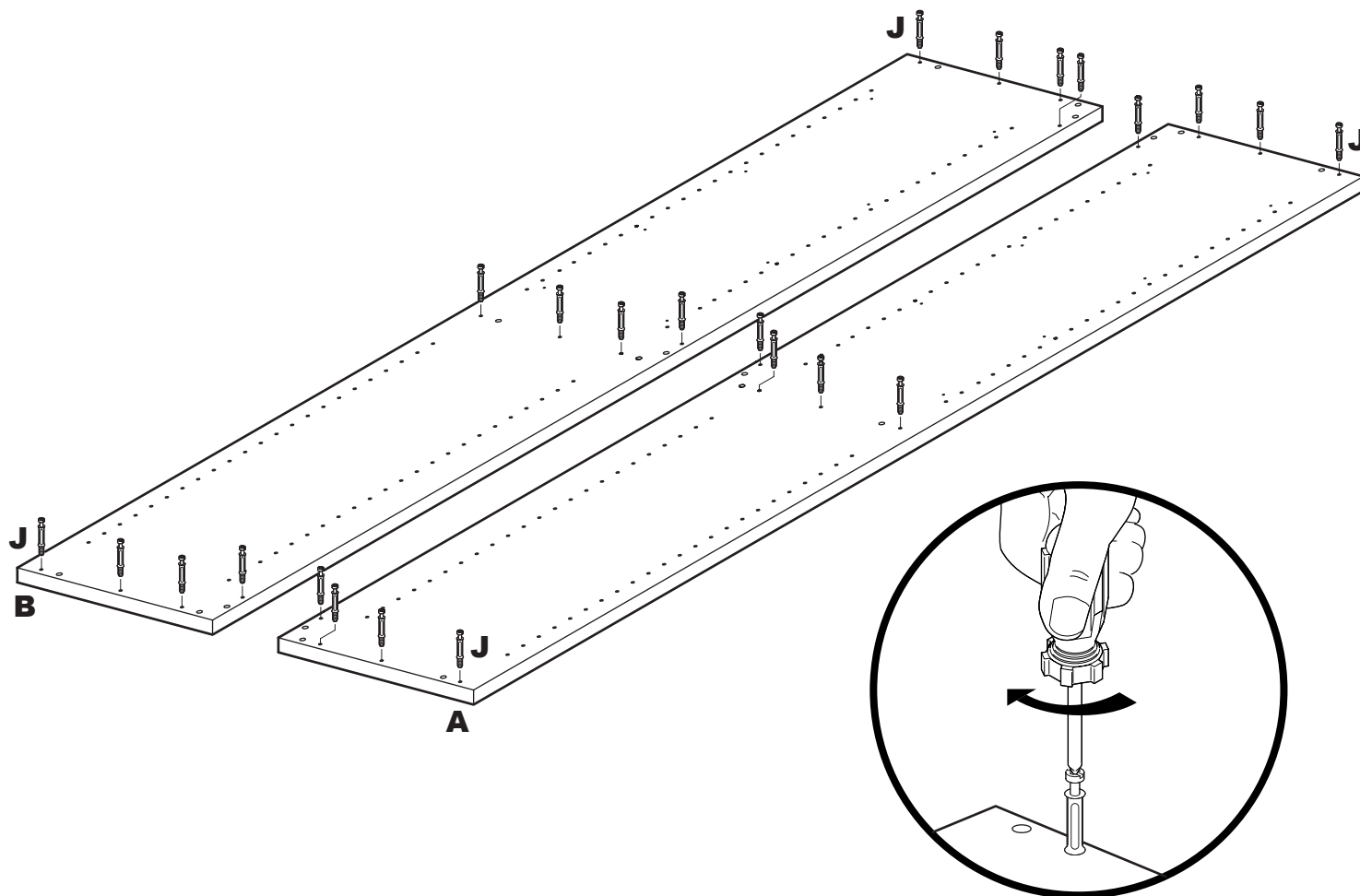
ASSEMBLY AND INSTALLATION INSTRUCTIONS

CORNER TOWER UNIT

1

- 1.1 Lay parts out on a protective surface to prevent damage. *Tip: Spread out the cardboard packaging to use as a protective surface.*
- 1.2 Inventory parts against the Parts List. Make sure all parts are present before proceeding.

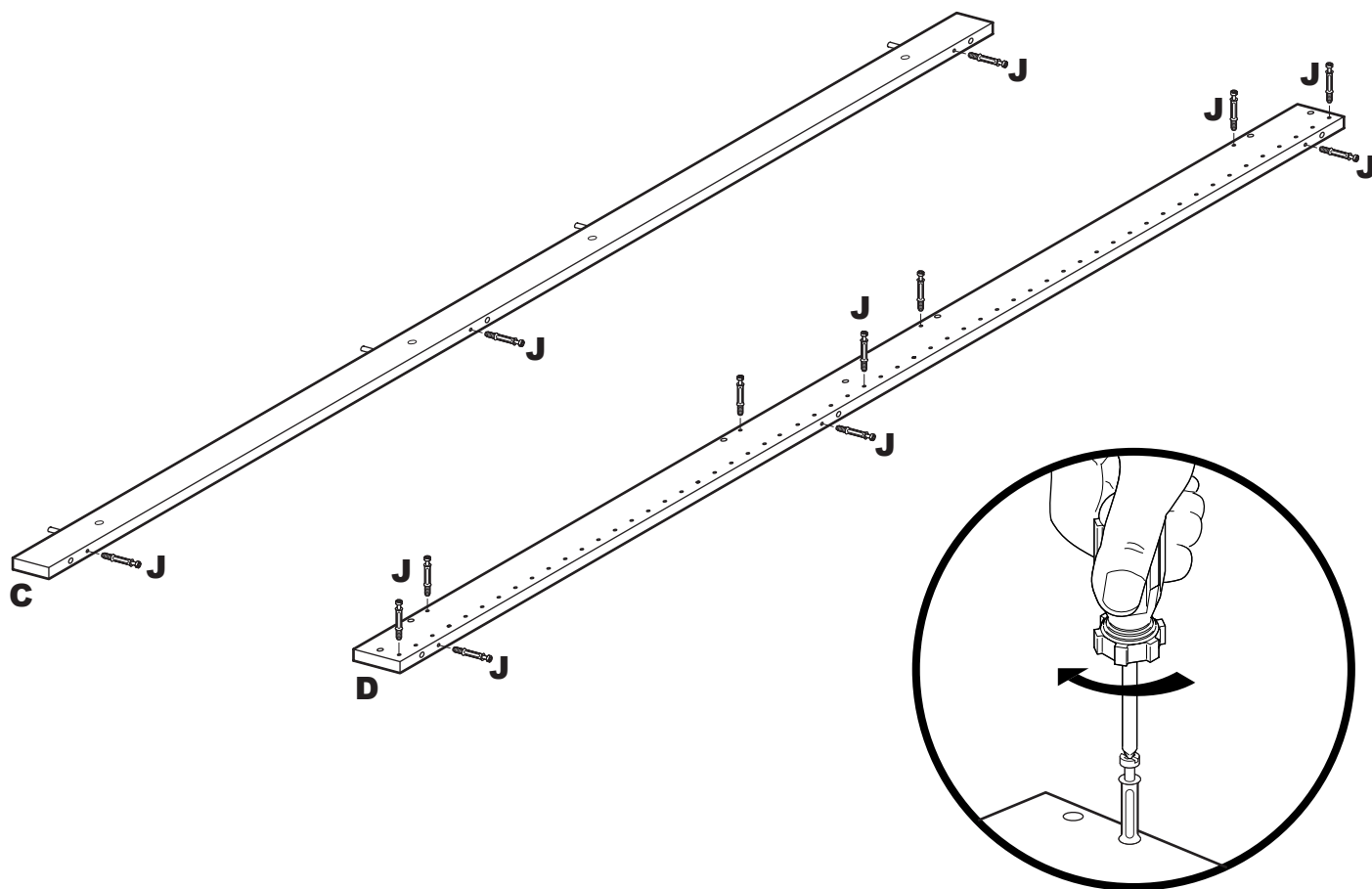
2



- 2.1 Install one Cam Post (J) into each of the 12 holes on Left Side Panel (A) and Right Side Panel (B). Tighten until Cam Posts are seated against Side Panels.

ASSEMBLY AND INSTALLATION INSTRUCTIONS CORNER TOWER UNIT

3

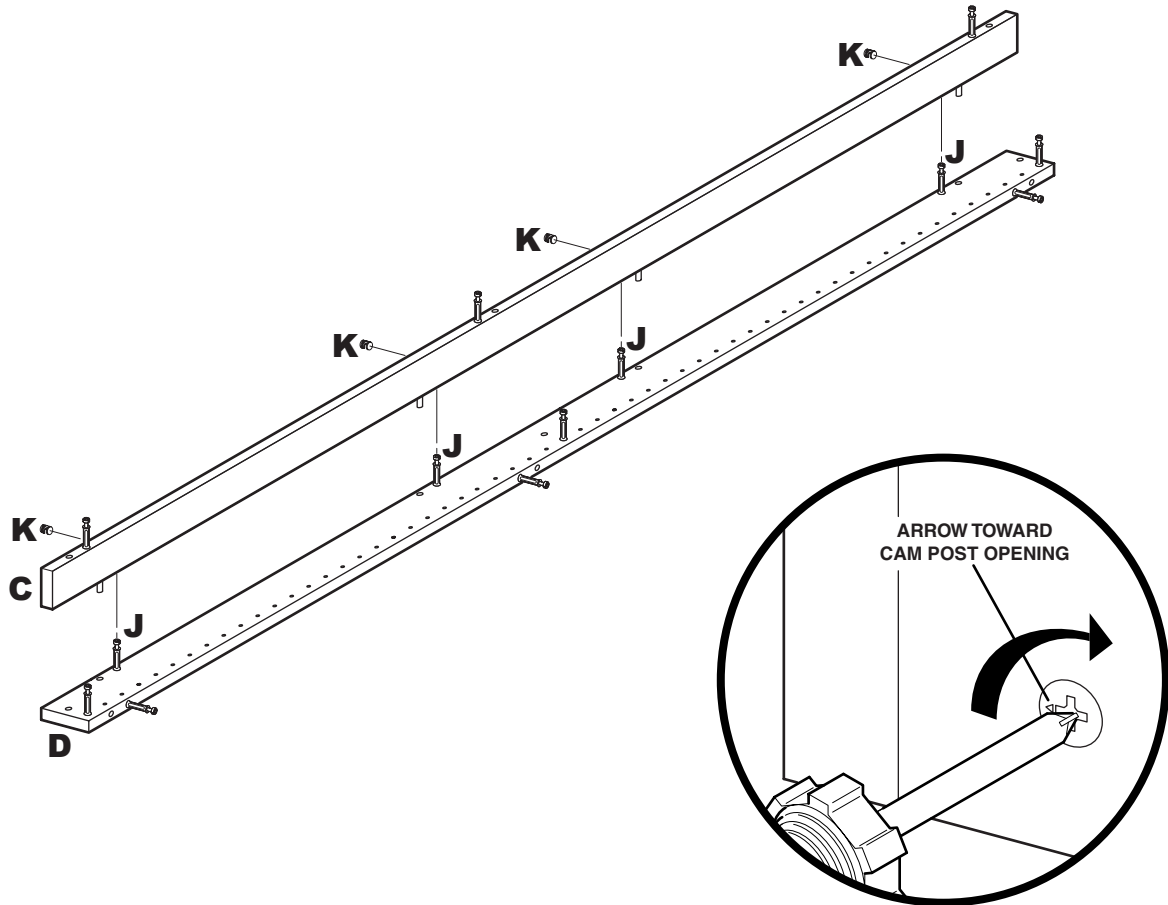


3.1 Install one Cam Post (J) into each of the three holes on Left Vertical Brace (C). Install one Cam Post (J) into each of the 10 holes on Right Vertical Brace (D).

3.2 Tighten Cam Posts (J) until Posts are seated against Vertical Braces.

ASSEMBLY AND INSTALLATION INSTRUCTIONS CORNER TOWER UNIT

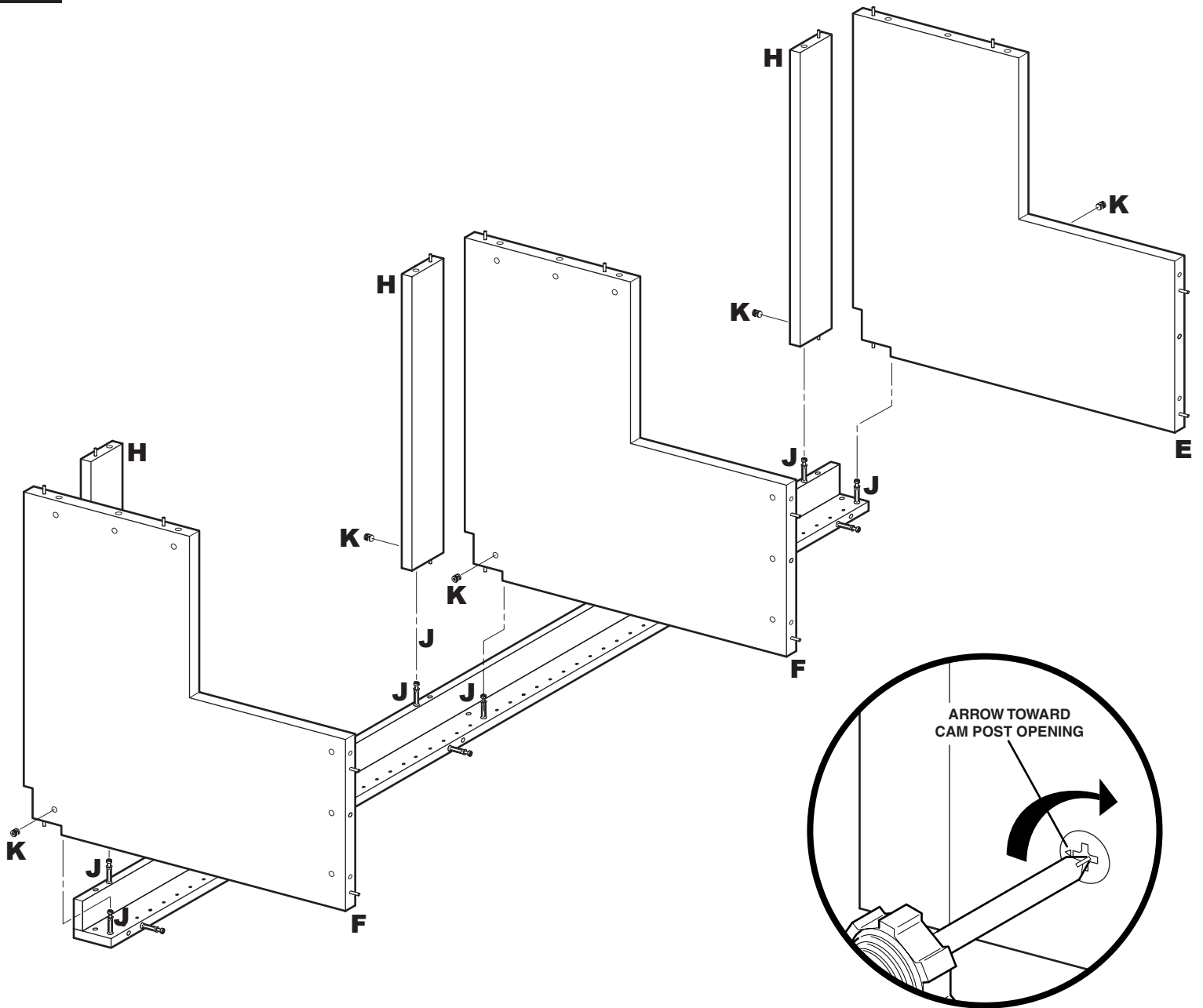
4



- 4.1** Assemble Left Vertical Brace (C) onto Right Vertical Brace (D) by sliding Left Brace onto the Cam Posts (J) on Right Brace. BE SURE dowel pins in Left Brace engage drilled holes in Right Brace, and Left Brace is pressed flush against Right Brace.
- 4.2** Insert Camlocks (K) in holes in Left Vertical Brace (C), with arrow pointing toward Cam Post opening. Be sure Camlocks engage Cam Posts, and are fully seated Left Brace.
- 4.3** Tighten Camlocks (K) clockwise to lock.

ASSEMBLY AND INSTALLATION INSTRUCTIONS CORNER TOWER UNIT

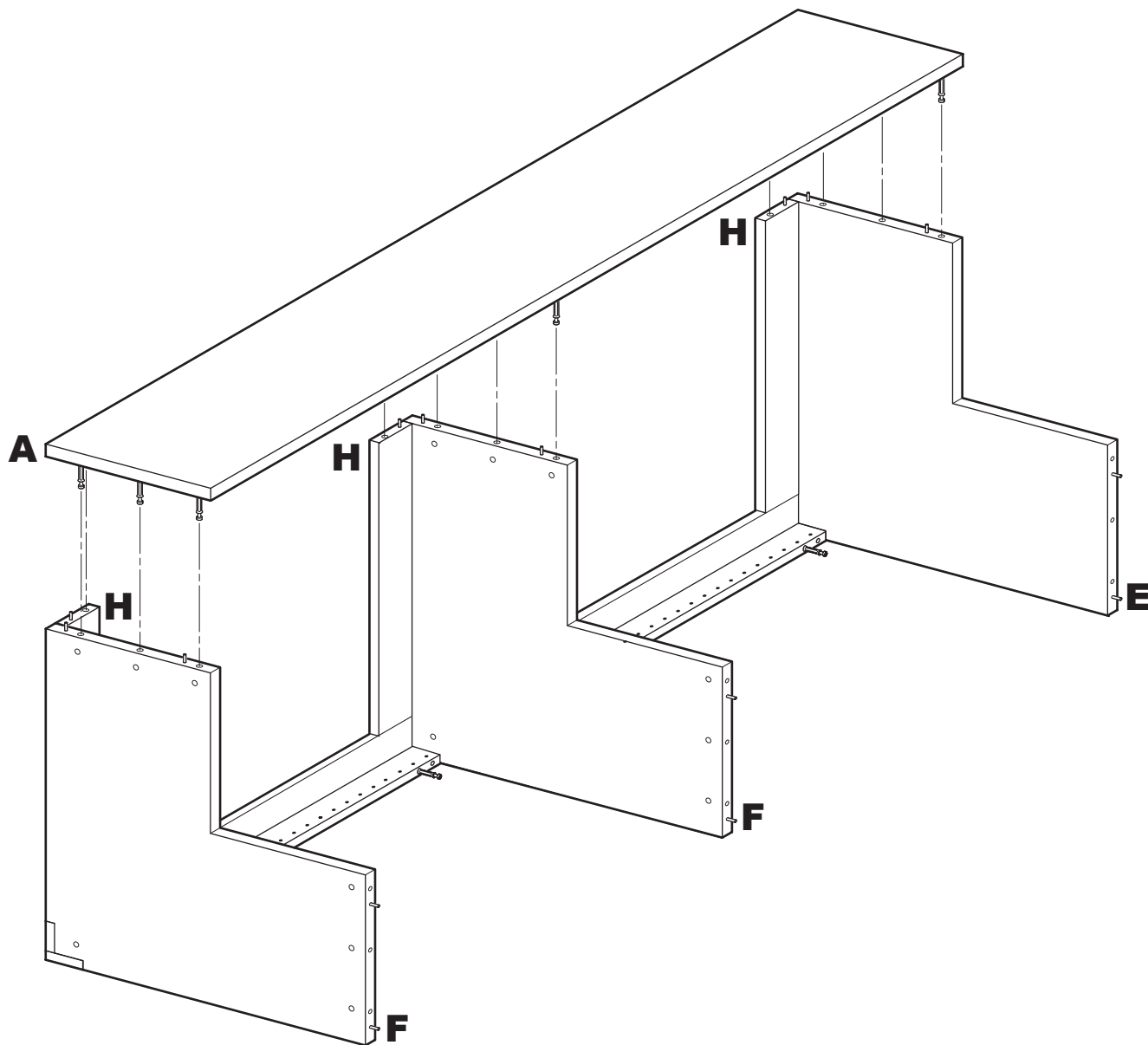
5



- 5.1** Assemble Upper Set Shelf (E), Center and Lower Set Shelves (F), and three Rear Hanging Cleats (H) onto assembled Vertical Brace by sliding parts onto the Cam Posts (J) on Brace. BE SURE dowel pins in parts engage drilled holes in Brace, and all parts are pressed flush against Brace.
- 5.2** Insert Camlocks (K) in holes in Upper Set Shelf (E), Center and Lower Set Shelves (F), and three Rear Hanging Cleats (H), with arrow pointing toward Cam Post opening. Be sure Camlocks engage Cam Posts, and are fully seated.
- 5.3** Tighten Camlocks (K) clockwise to lock.

ASSEMBLY AND INSTALLATION INSTRUCTIONS CORNER TOWER UNIT

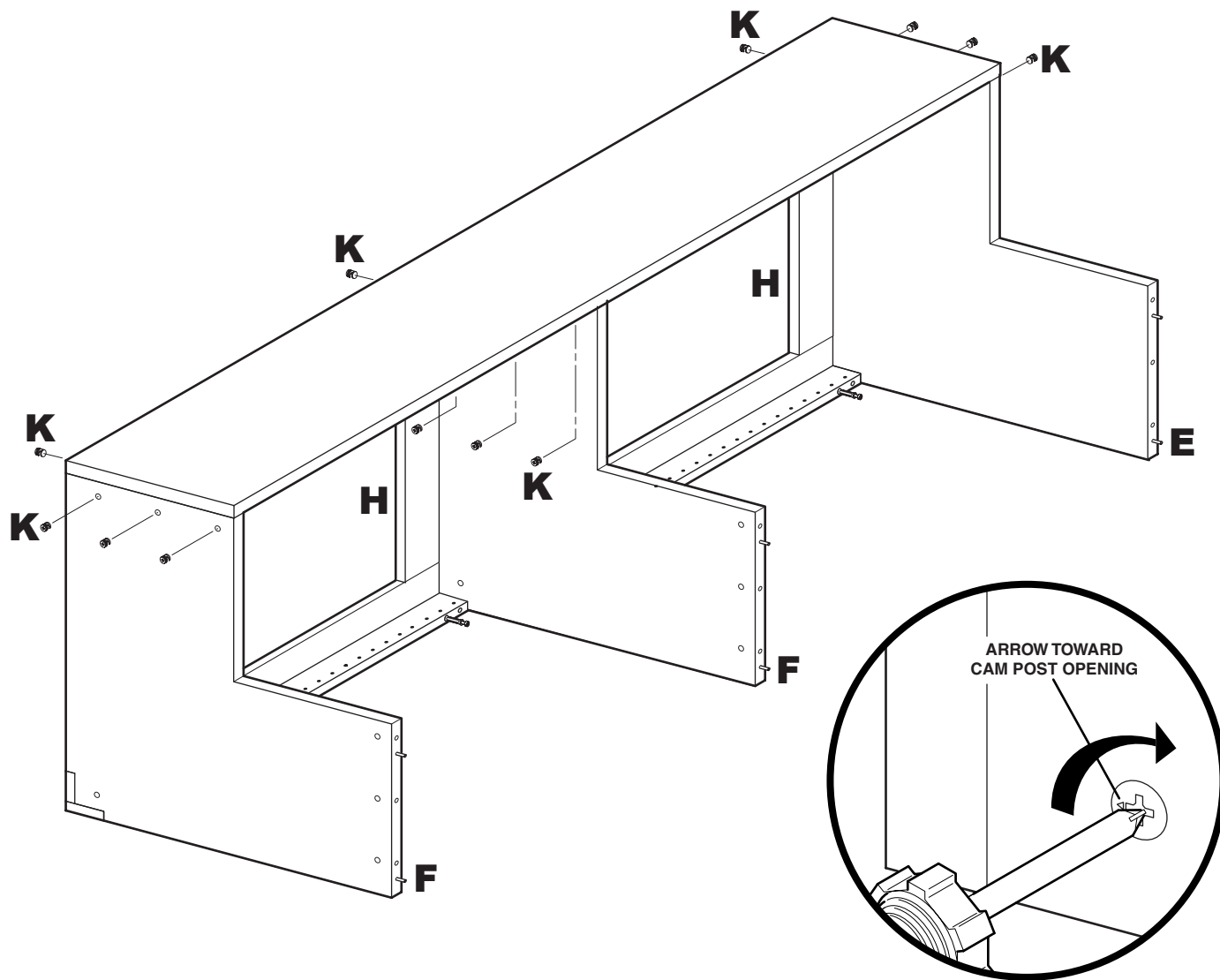
6



- 6.1** Install Left Side Panel (A) onto assembled Set Shelves (E, F) and Rear Hanging Cleats (H). BE SURE dowel pins in Shelves and Cleats engage drilled holes in Side Panel, and Side Panel is pressed flush against Set Shelves and Cleats.

ASSEMBLY AND INSTALLATION INSTRUCTIONS CORNER TOWER UNIT

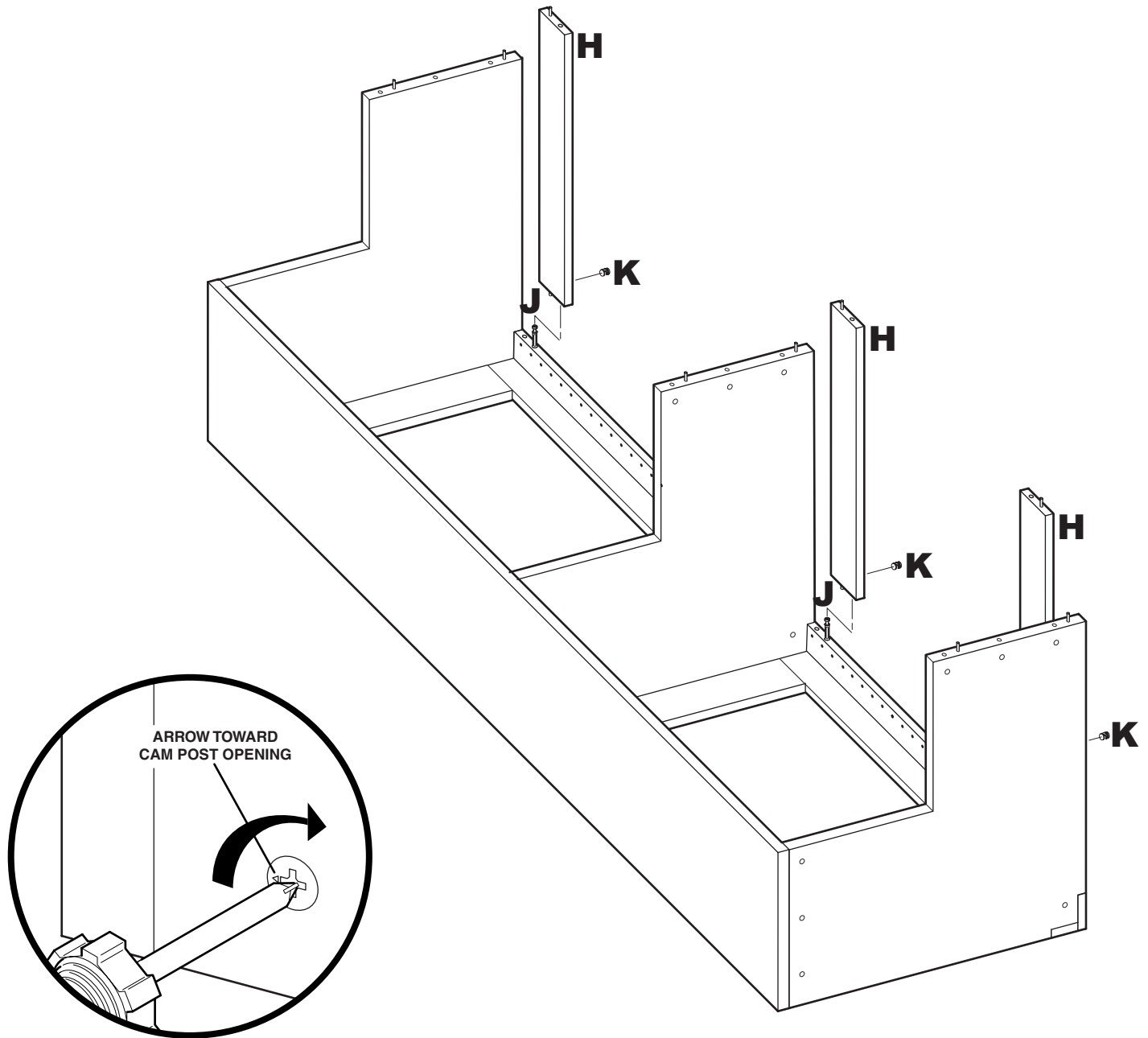
7



- 7.1** Insert Camlocks (K) in holes in Set Shelves (E, F) and Rear Hanging Cleats (H), with arrow pointing toward Cam Post opening. Be sure Camlocks engage Cam Posts, and are fully seated in Shelves and Cleats.
- 7.2** Tighten Camlocks (K) clockwise to lock.

ASSEMBLY AND INSTALLATION INSTRUCTIONS CORNER TOWER UNIT

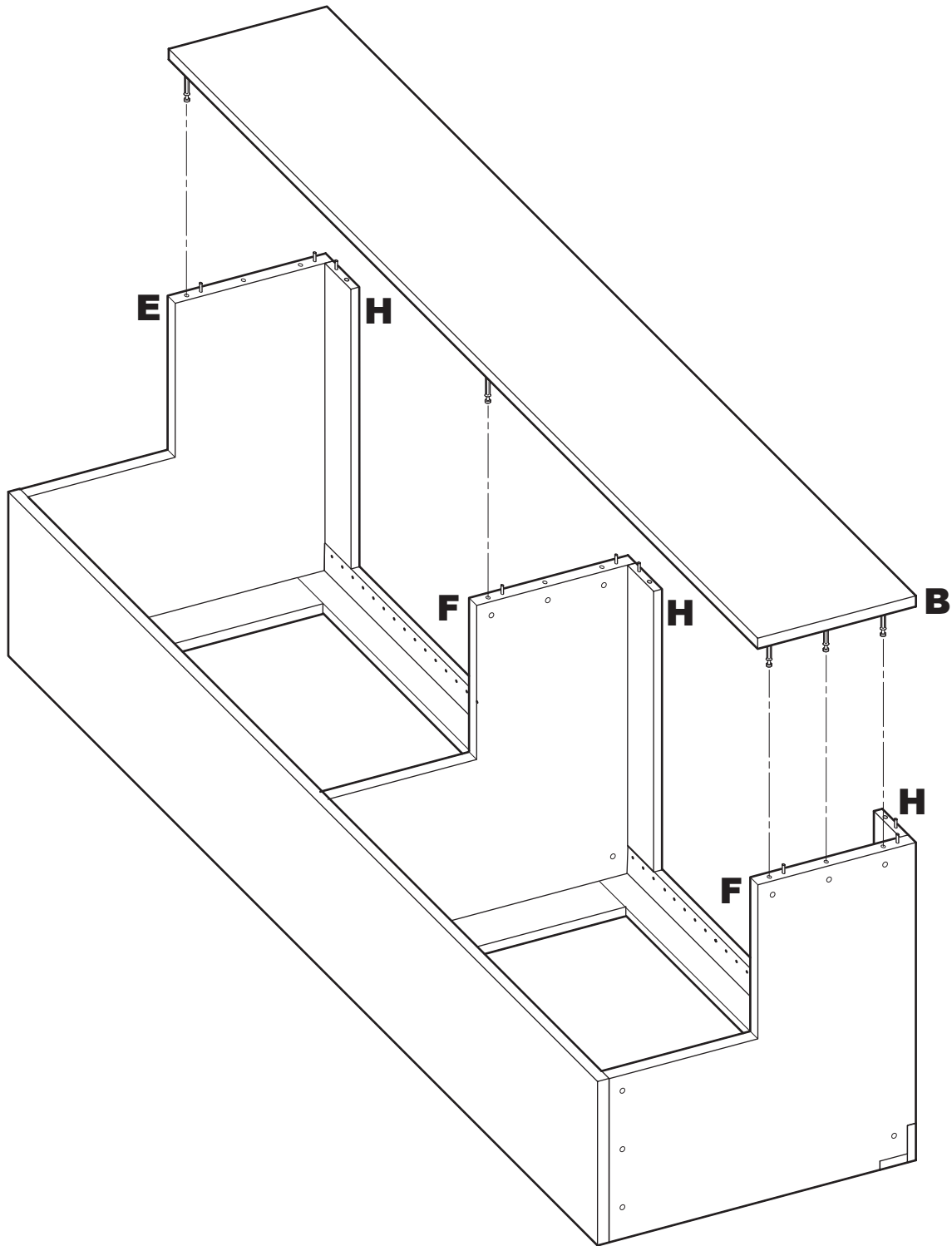
8



- 8.1** Rotate assembled unit 90 degrees to allow for installation of Right Side Panel.
- 8.2** Assemble three Rear Hanging Cleats (H) onto assembled Vertical Brace by sliding parts onto the Cam Posts (J) on Brace. BE SURE dowel pins in Cleats engage drilled holes in Brace, and parts are pressed flush against Brace.
- 8.3** Insert Camlocks (K) in holes in three Rear Hanging Cleats (H), with arrow pointing toward Cam Post opening. Be sure Camlocks engage Cam Posts, and are fully seated.
- 8.4** Tighten Camlocks (K) clockwise to lock.

ASSEMBLY AND INSTALLATION INSTRUCTIONS CORNER TOWER UNIT

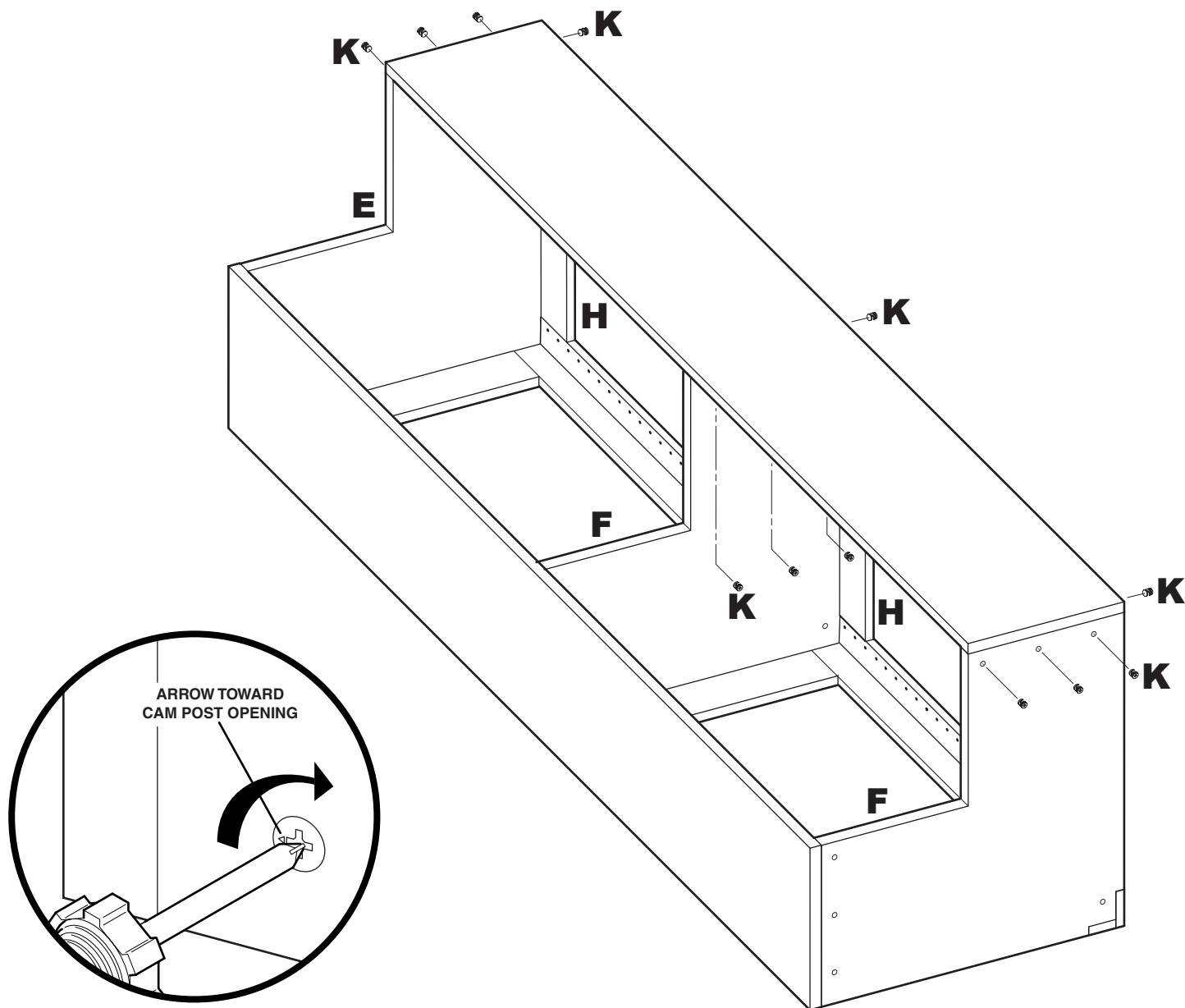
9



- 9.1** Install Right Side Panel (B) onto assembled Set Shelves (E, F) and Rear Hanging Cleats (H). BE SURE dowel pins in Shelves and Cleats engage drilled holes in Side Panel, and Side Panel is pressed flush against Set Shelves and Cleats.

ASSEMBLY AND INSTALLATION INSTRUCTIONS CORNER TOWER UNIT

10



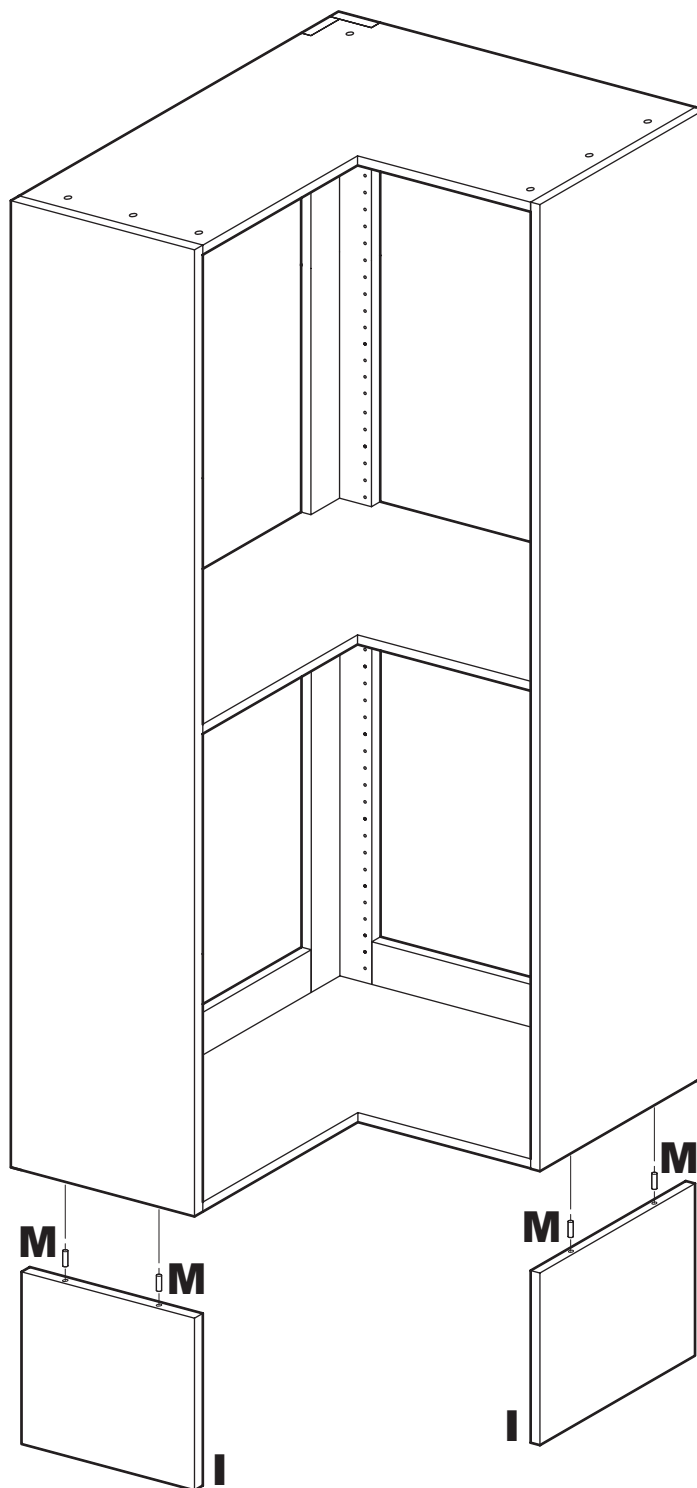
10.1 Insert Camlocks (K) in holes in Set Shelves (E, F) and Rear Hanging Cleats (H), with arrow pointing toward Cam Post opening. Be sure Camlocks engage Cam Posts, and are fully seated in Shelves and Cleats.

10.2 Tighten Camlocks (K) clockwise to lock.

ASSEMBLY AND INSTALLATION INSTRUCTIONS

CORNER TOWER UNIT

11



NOTE: Floor Panels (I) are decorative only, and are NOT intended to support the full weight of the assembled Corner Tower Unit.

11.1 Insert four Wood Dowels (M) into holes in edges of Floor Panels (I).

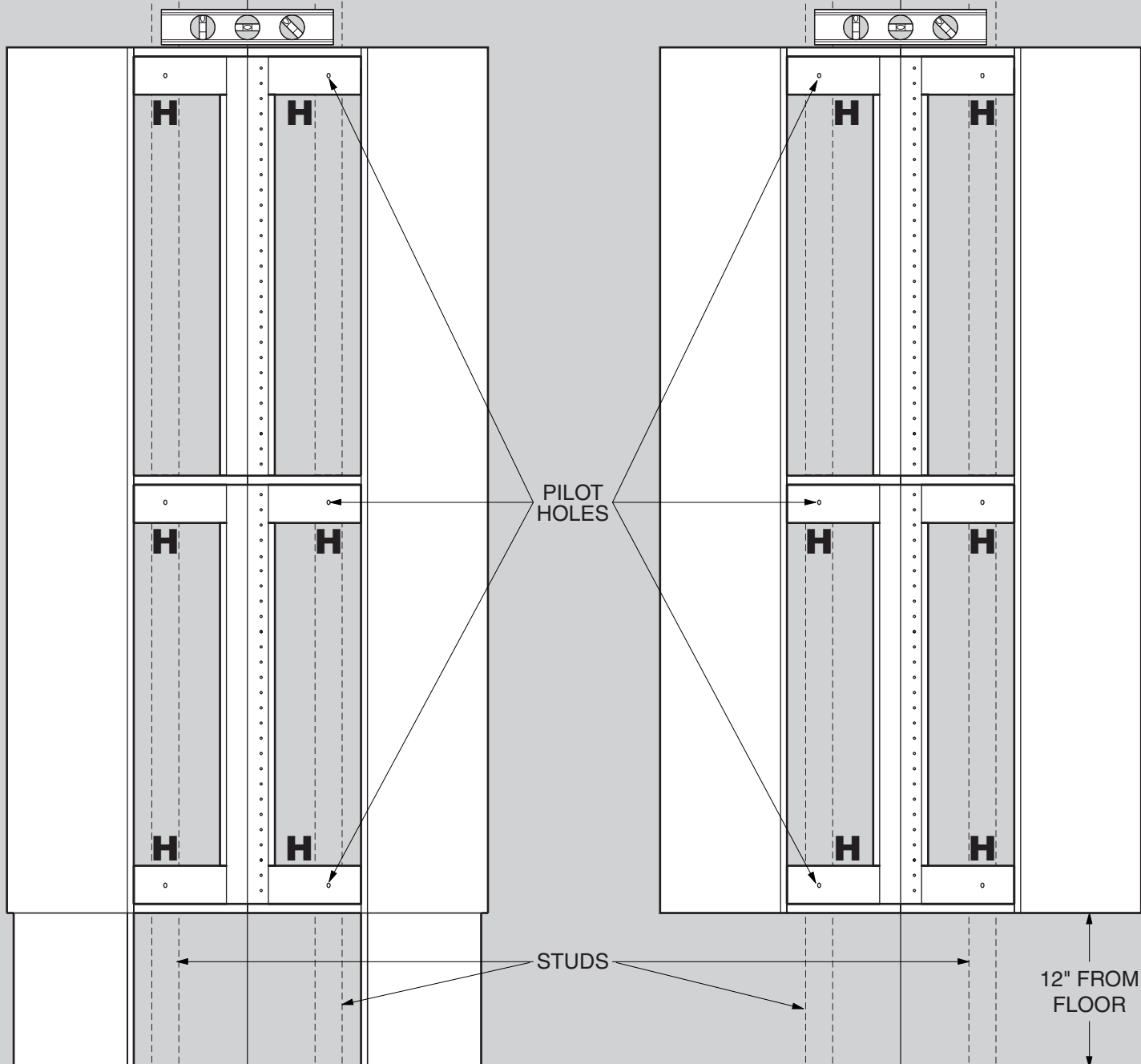
11.2 Align Wood Dowels (M) in Floor Panels (I) with holes in Corner Tower, and press Tower and Floor Panels together.

ASSEMBLY AND INSTALLATION INSTRUCTIONS CORNER TOWER UNIT

12

**WITH
FLOOR PANELS**

**WITHOUT
FLOOR PANELS**



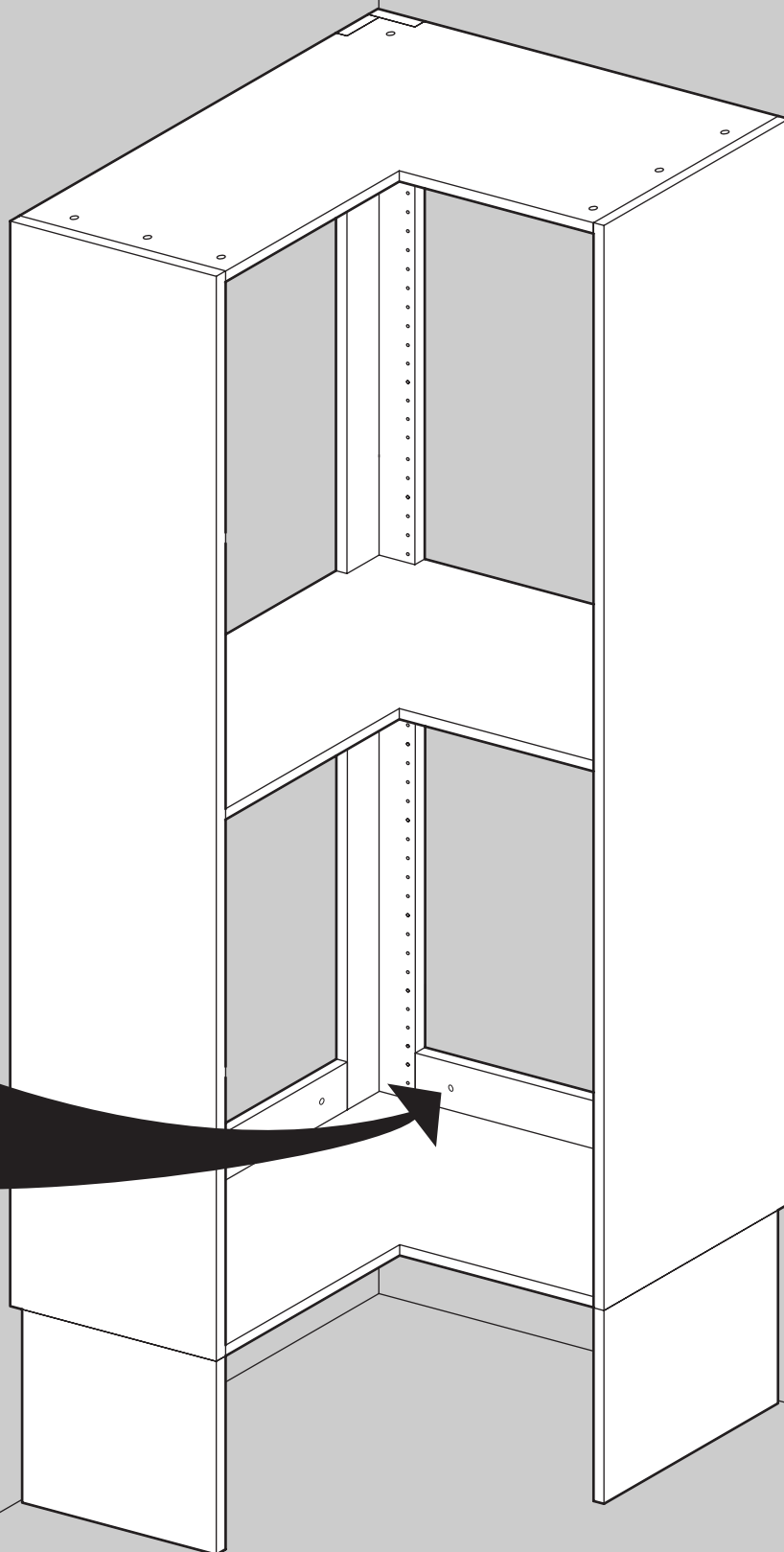
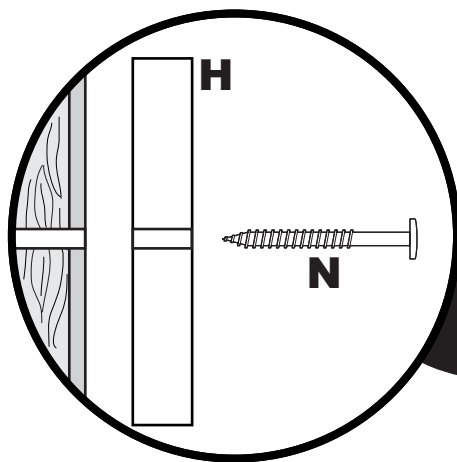
INSTALLATION

- 12.1** Determine the mounting location for the unit. The unit can be installed with or without Floor Panels (installed in step 11).
- 12.2** Using a stud finder, locate studs to which the unit will be secured. Mark stud locations with a pencil.
- 12.3** With the unit positioned at the desired location, level the unit, then drill pilot holes at two locations through each Rear Hanging Cleat (H).

ASSEMBLY AND INSTALLATION INSTRUCTIONS CORNER TOWER UNIT

13

13.1 Secure Rear Hanging Cleats (H) and Left and Right Vertical Braces (C, D) to studs using 12 2-1/2" Screws (N).



ASSEMBLY AND INSTALLATION INSTRUCTIONS

CORNER TOWER UNIT

14

- 14.1** For each Adjustable Shelf (G), insert the shelf at an angle into the upper or lower compartment, then rotate horizontal.
- 14.2** Hold the Shelf just above the desired position, then insert five Shelf Pins (L) at the desired height.
- 14.3** Lower Adjustable Shelf (G) onto Shelf Pins (L).

