

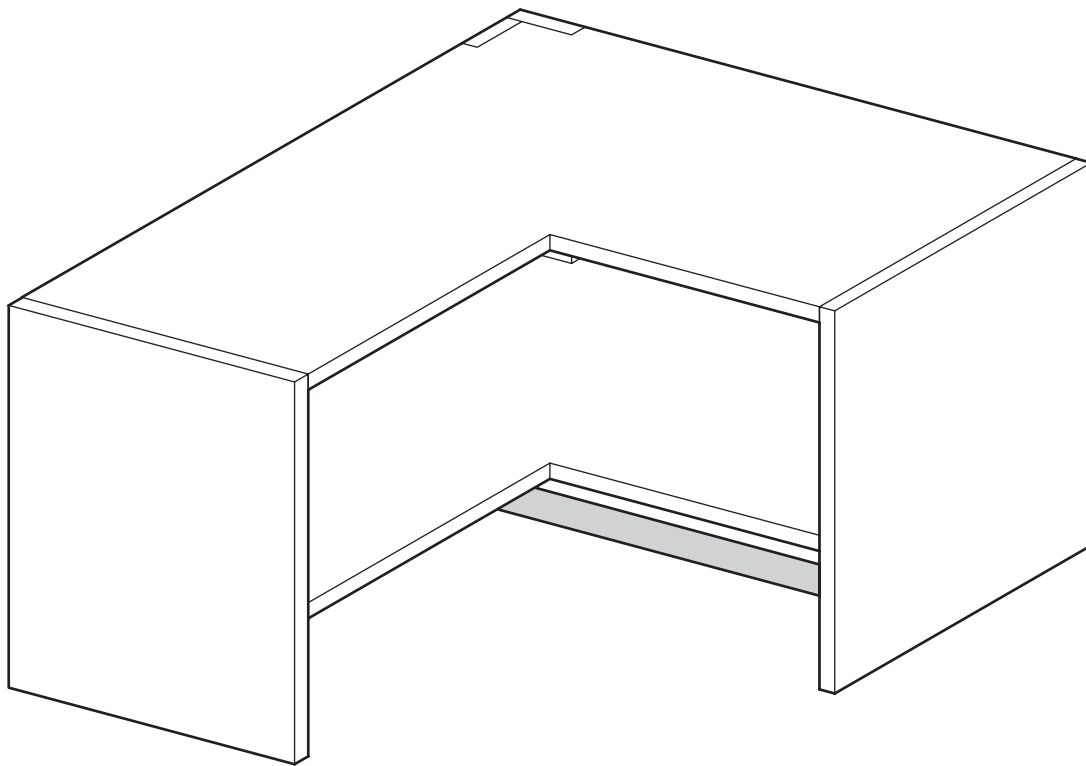


MODULAR CLOSETS

1-844-969-4247

support@modularclosets.com

CORNER TALL HANGING UNIT

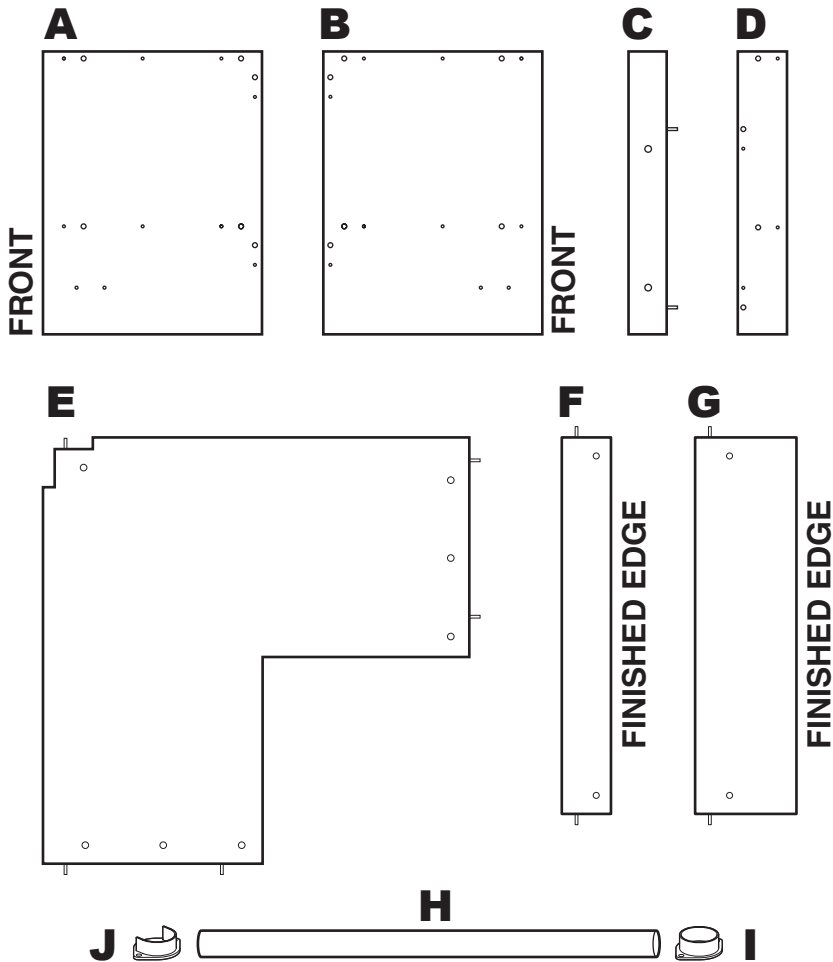


ASSEMBLY AND INSTALLATION INSTRUCTIONS

ASSEMBLY AND INSTALLATION INSTRUCTIONS

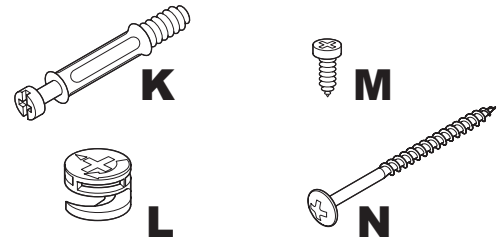
CORNER DOUBLE HANGING UNIT

1



PARTS LIST

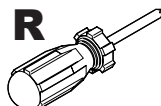
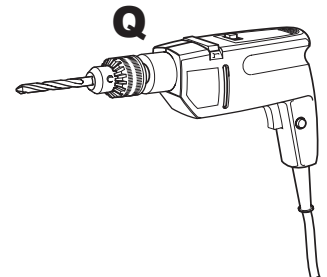
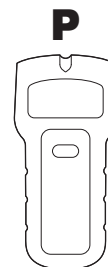
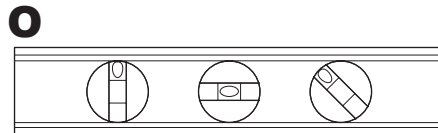
- A** Left Side Panel (Qty 1)
- B** Right Side Panel (Qty 1)
- C** Left Vertical Brace (Qty 1)
- D** Right Vertical Brace (Qty 1)
- E** Set Shelf (Qty 2)
- F** Upper Rear Hanging Cleat (Qty 2)
- G** Lower Rear Hanging Cleat (Qty 2)
- H** Hanging Rod (Qty 1)
- I** "O" Rod Bracket (Qty 1)
- J** "U" Rod Bracket (Qty 1)
- K** Cam Post (Qty 24)
- L** Camlock (Qty 24)
- M** Screws, Rod Bracket (4)
- N** Screws, Install, 3" (Qty 8)



TOOLS REQUIRED

(not included)

- O** Level
- P** Stud Finder
- Q** Drill, 3/32" bit size
- R** Phillips Screwdriver

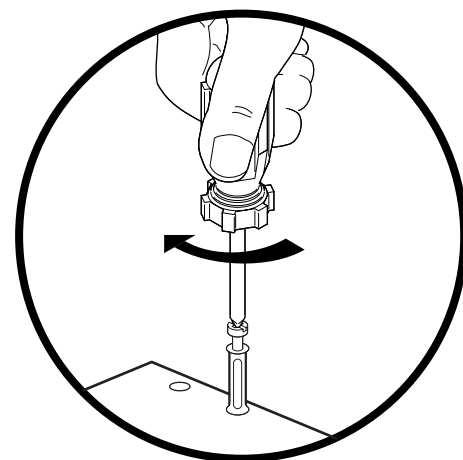
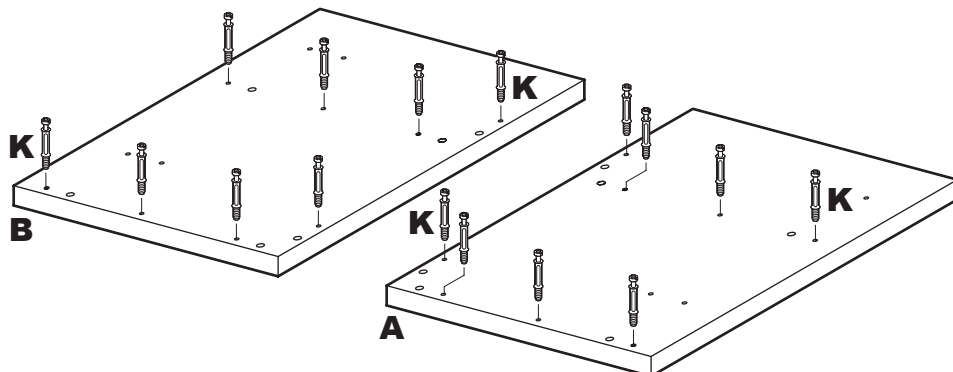


- 1.1** Lay parts out on a protective surface to prevent damage. *Tip: Spread out the cardboard packaging to use as a protective surface.*
- 1.2** Inventory parts against the Parts List. Make sure all parts are present before proceeding.

ASSEMBLY AND INSTALLATION INSTRUCTIONS

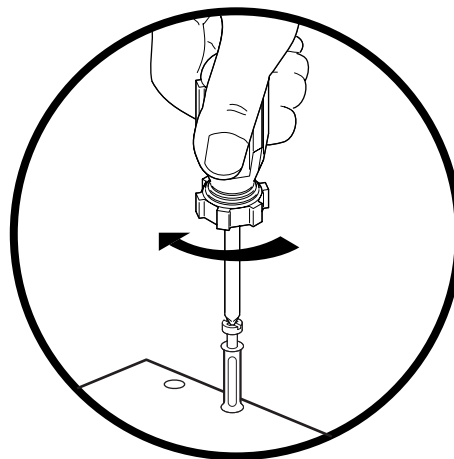
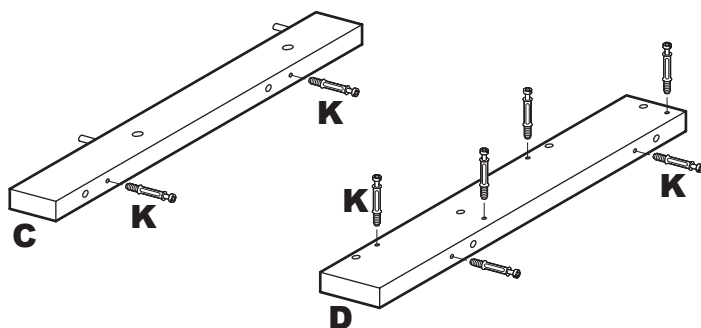
CORNER TALL HANGING UNIT

2



- 2.1** Install one Cam Post (K) into each of the eight holes on Left Side Panel (A) and Right Side Panel (B). Tighten until Cam Posts are seated against Side Panels.

3

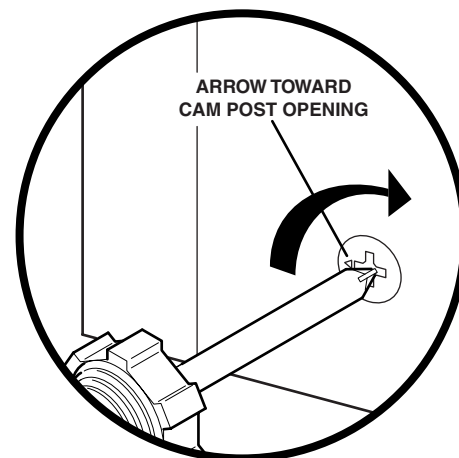
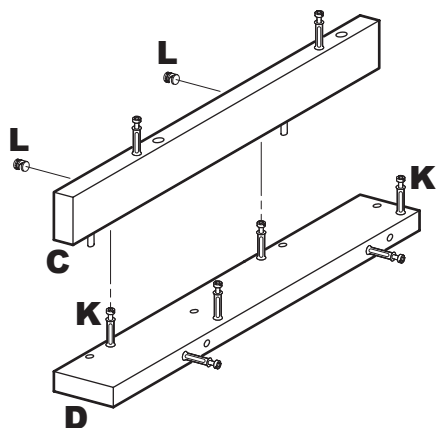


- 3.1** Install one Cam Post (K) into each of the two holes on Left Vertical Brace (C). Install one Cam Post (K) into each of the seven holes on Right Vertical Brace (D).
- 3.2** Tighten Cam Posts (K) until Posts are seated against Vertical Braces.

ASSEMBLY AND INSTALLATION INSTRUCTIONS

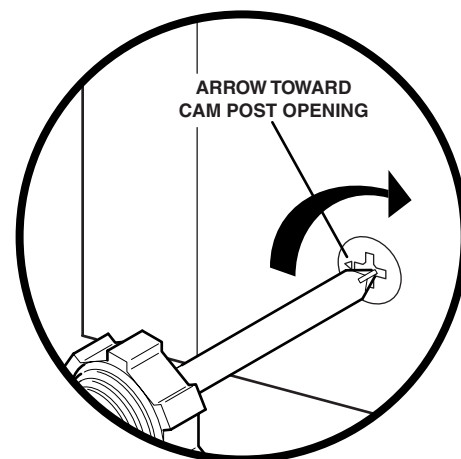
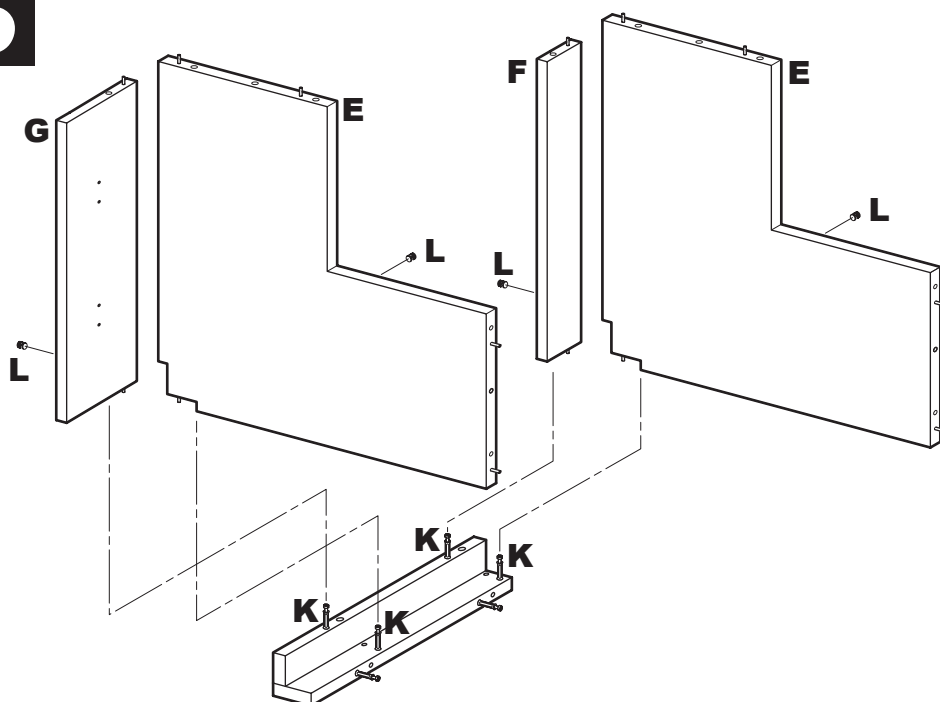
CORNER TALL HANGING UNIT

4



- 4.1** Assemble Left Vertical Brace (C) onto Right Vertical Brace (D) by sliding Left Brace onto the Cam Posts (K) on Right Brace. BE SURE dowel pins in Left Brace engage drilled holes in Right Brace, and Left Brace is pressed flush against Right Brace.
- 4.2** Insert Camlocks (L) in holes in Left Vertical Brace (C), with arrow pointing toward Cam Post opening. Be sure Camlocks engage Cam Posts, and are fully seated Left Brace. Tighten Camlocks (L) clockwise to lock.

5

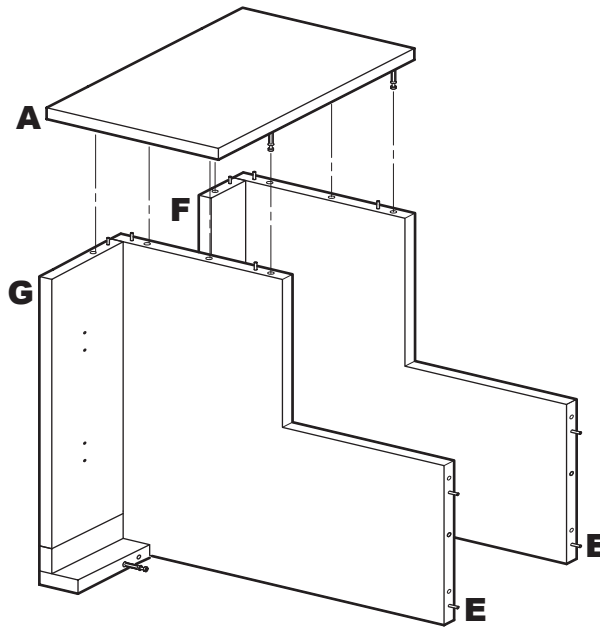


- 5.1** Assemble Set Shelves(E), Upper Rear Hanging Cleat (F), and Lower Rear Hanging Cleat (G) onto assembled Vertical Brace by sliding parts onto the Cam Posts (K) on Brace. BE SURE dowel pins in parts engage drilled holes in Brace, and all parts are pressed flush against Brace.
- 5.2** Insert Camlocks (L) in holes in Set Shelves (E), Upper Rear Hanging Cleat (F), and Lower Rear Hanging Cleat (G), with arrow pointing toward Cam Post opening. Be sure Camlocks engage Cam Posts, and are fully seated. Tighten Camlocks (L) clockwise to lock.

ASSEMBLY AND INSTALLATION INSTRUCTIONS

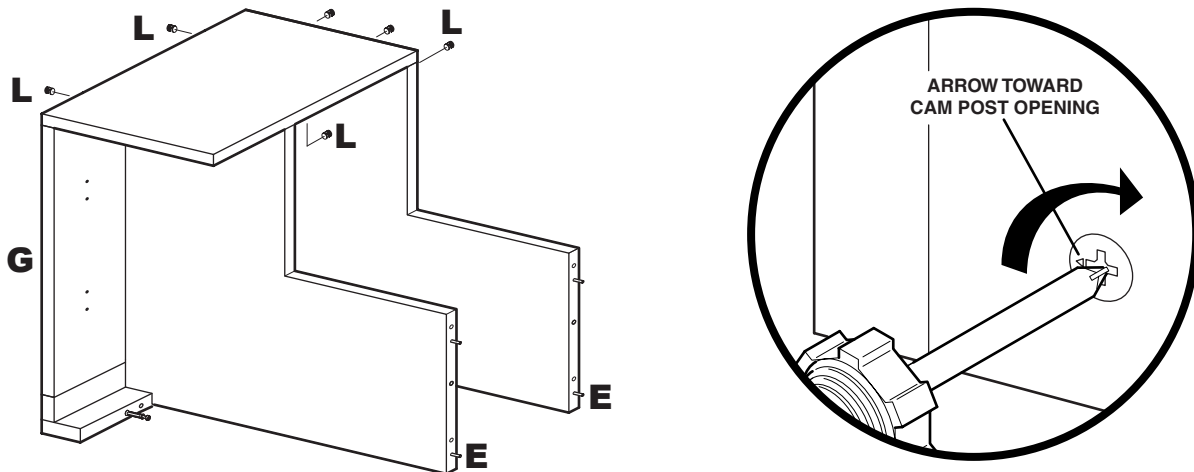
CORNER TALL HANGING UNIT

6



- 6.1** Install Left Side Panel (A) onto assembled Set Shelves (E) and Upper and Lower Rear Hanging Cleats (F, G). BE SURE dowel pins in Shelves and Cleats engage drilled holes in Side Panel, and Side Panel is pressed flush against Set Shelves and Cleats.

7



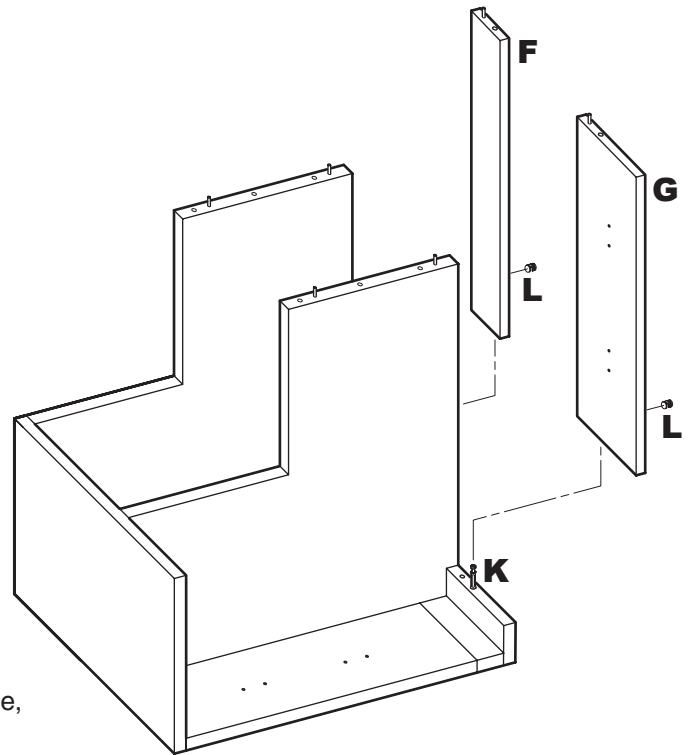
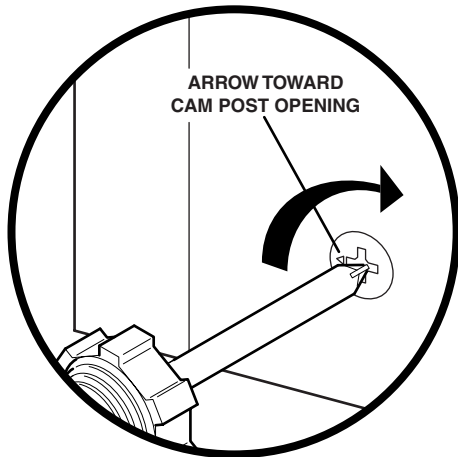
- 7.1** Insert Camlocks (L) in holes in Set Shelves (E) and Upper and Lower Rear Hanging Cleats (F, G), with arrow pointing toward Cam Post opening. Be sure Camlocks engage Cam Posts, and are fully seated in Shelves and Cleats.

- 7.2** Tighten Camlocks (L) clockwise to lock.

ASSEMBLY AND INSTALLATION INSTRUCTIONS

CORNER TALL HANGING UNIT

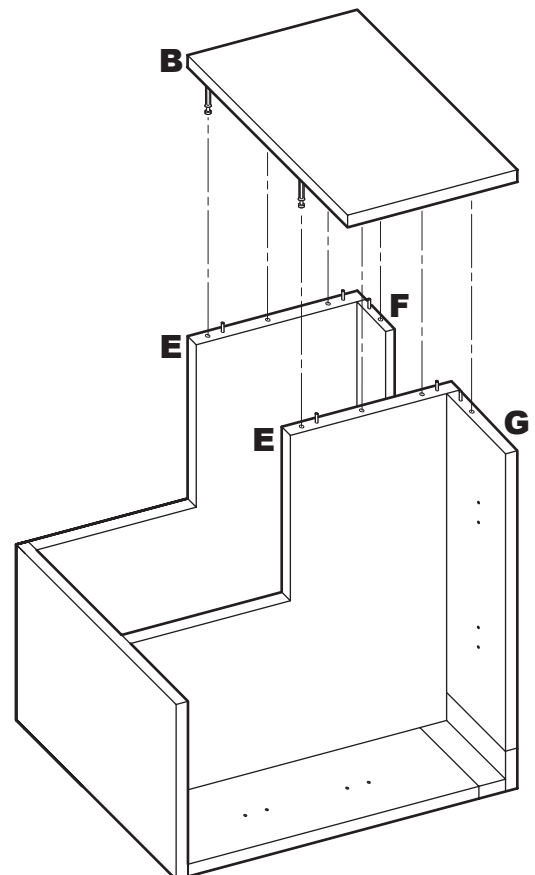
8



- 8.1** Rotate assembled unit 90 degrees to allow for installation of Right Side Panel.
- 8.2** Assemble Upper Rear Hanging Cleat (F) and Lower Rear Hanging Cleat (G) onto assembled Vertical Brace by sliding parts onto the Cam Posts (K) on Brace. BE SURE dowel pins in Cleats engage drilled holes in Brace, and parts are pressed flush against Brace.
- 8.3** Insert Camlocks (L) in holes in two Rear Hanging Cleats (G), with arrow pointing toward Cam Post opening. Be sure Camlocks engage Cam Posts, and are fully seated. Tighten Camlocks (L) clockwise to lock.

9

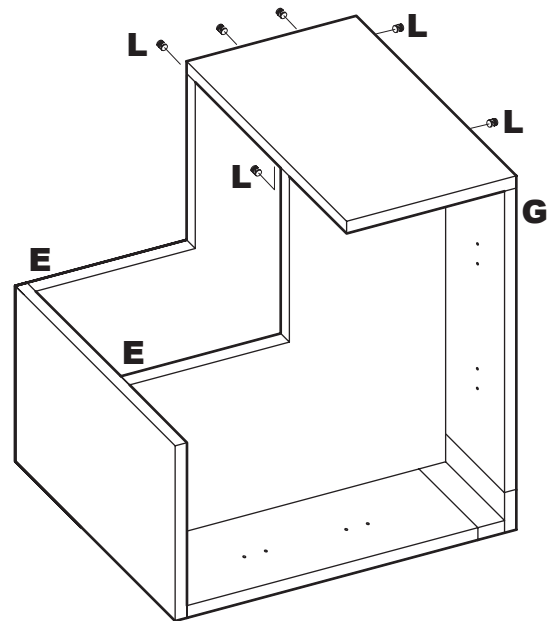
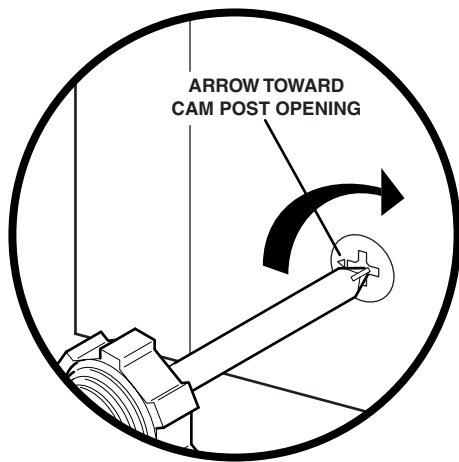
- 9.1** Install Right Side Panel (B) onto assembled Set Shelves (E) and Upper and Lower Rear Hanging Cleats (F, G). BE SURE dowel pins in Shelves and Cleats engage drilled holes in Side Panel, and Side Panel is pressed flush against Set Shelves and Cleats.



ASSEMBLY AND INSTALLATION INSTRUCTIONS

CORNER TALL HANGING UNIT

10



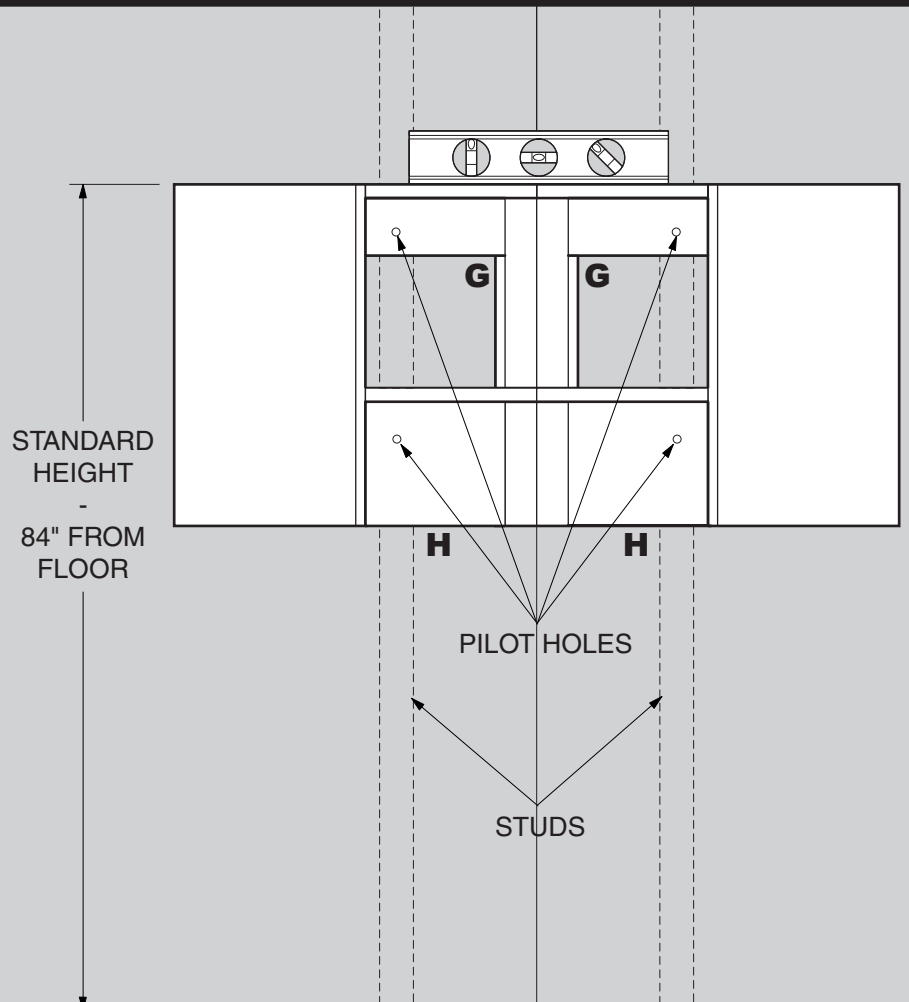
10.1 Insert Camlocks (L) in holes in Set Shelves (E) and Upper and Lower Rear Hanging Cleats (F, G), with arrow pointing toward Cam Post opening. Be sure Camlocks engage Cam Posts, and are fully seated in Shelves and Cleats.

10.2 Tighten Camlocks (L) clockwise to lock.

11

INSTALLATION

- 11.1** Determine the mounting location for the unit.
- 11.2** Using a stud finder, locate studs to which the unit will be secured. Mark stud locations with a pencil.
- 11.3** With the unit positioned at the desired location, level the unit, then drill pilot holes through Upper and Lower Rear Hanging Cleats (F, G).

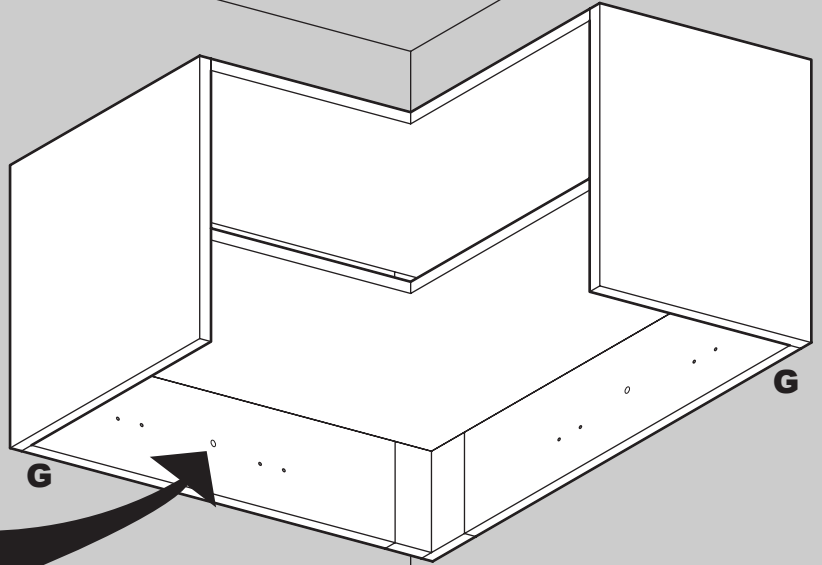
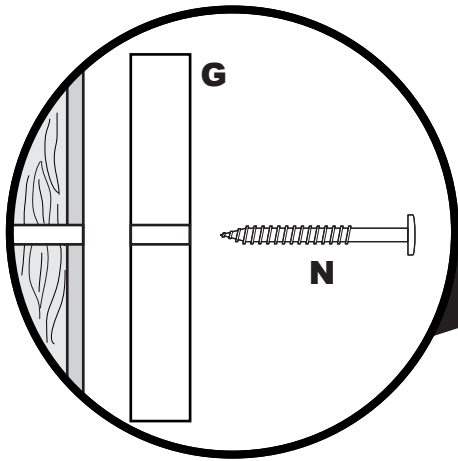


ASSEMBLY AND INSTALLATION INSTRUCTIONS

CORNER TALL HANGING UNIT

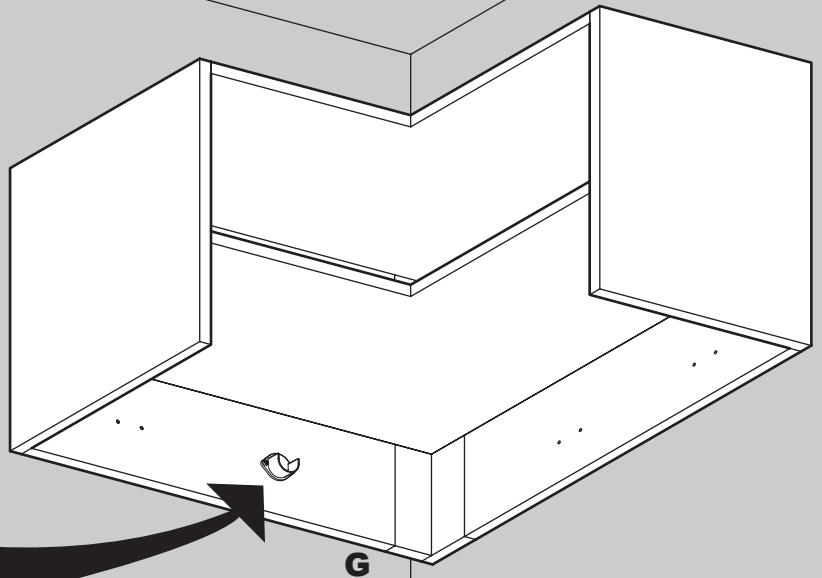
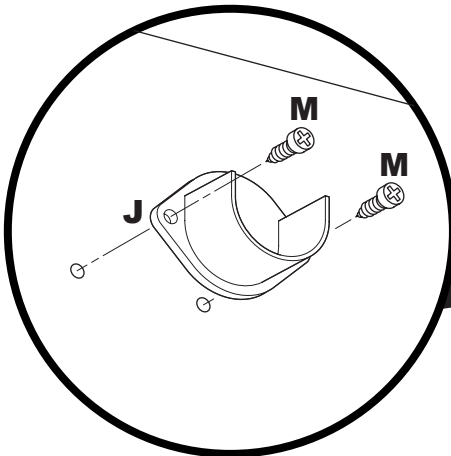
12

12.1 Secure Upper and Lower Rear Hanging Cleats (F, G) to studs using 3" Install Screws (N).



13

13.1 Determine the side of the unit on which you wish to install the rods. Position "U" Bracket (J) on left or right side Lower Rear Hanging Cleat (G), as appropriate, and secure Bracket with two screws (M).



ASSEMBLY AND INSTALLATION INSTRUCTIONS

CORNER TALL HANGING UNIT

14

NOTE: Use care when installing Hanging Rod (H) to avoid scratching finish inside unit.

- 14.1** Insert one end of Hanging Rod (H) into "O" Bracket (I).
- 14.2** Slide assembled Hanging Rod (H) and "O" Bracket (I) into unit. Rest free end of Hanging Rod in "U" Bracket.
- 14.3** Secure "O" Bracket (I) to Left Side Panel (A) or Right Side Panel (B), as appropriate, with two Rod Bracket Screws (M).

