

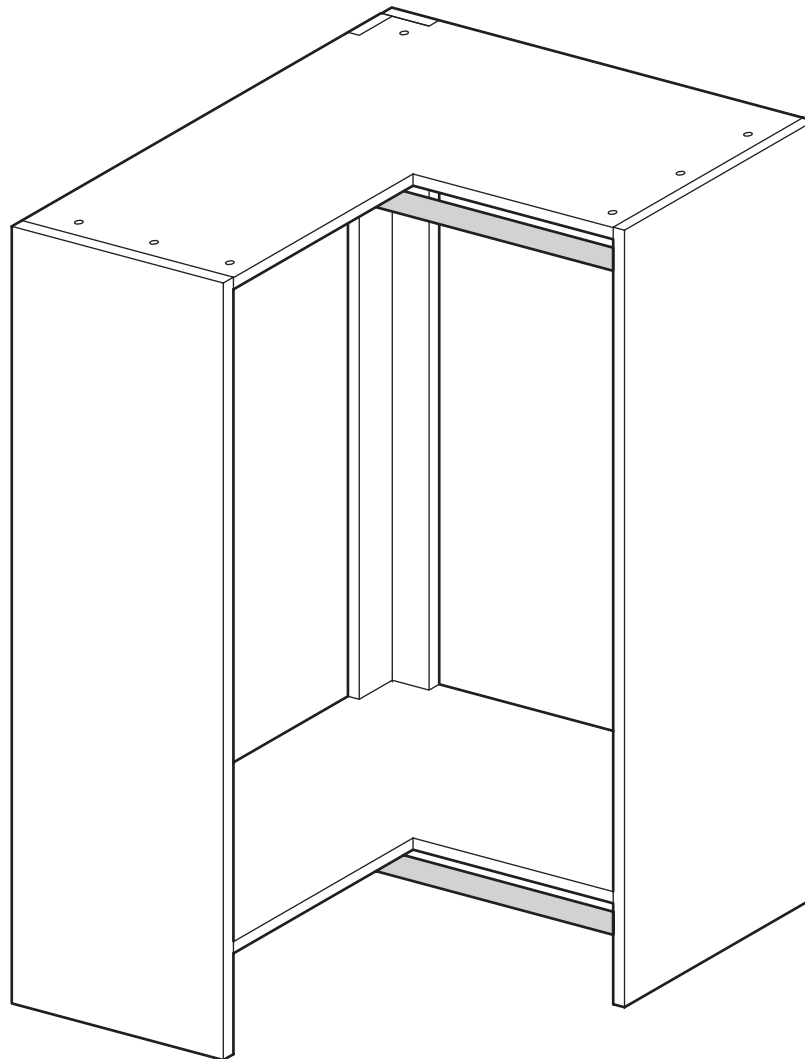


MODULAR CLOSETS

1-844-969-4247

support@modularclosets.com

CORNER DOUBLE HANGING UNIT



ASSEMBLY AND INSTALLATION INSTRUCTIONS

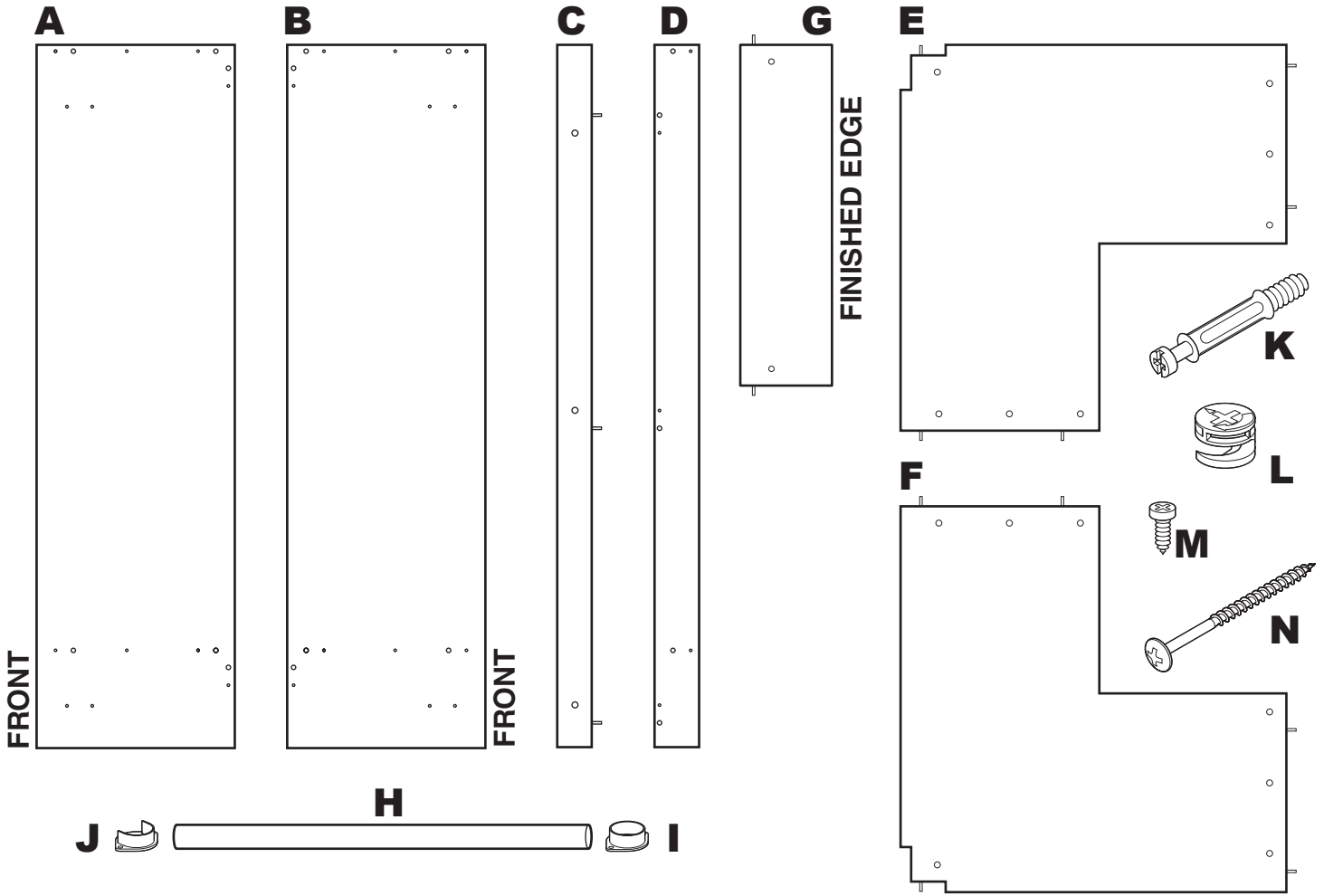
ASSEMBLY AND INSTALLATION INSTRUCTIONS

CORNER DOUBLE HANGING UNIT

1

PARTS LIST

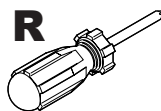
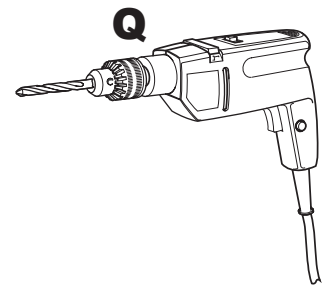
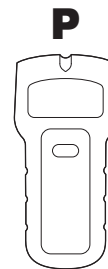
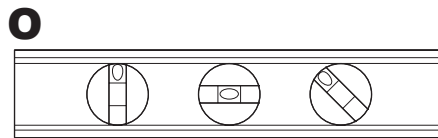
- | | | |
|---------------------------------------|-------------------------------------|--------------------------------------|
| A Left Side Panel (Qty 1) | F Lower Set Shelf (Qty 1) | K Cam Post (Qty 25) |
| B Right Side Panel (Qty 1) | G Rear Hanging Cleat (Qty 4) | L Camlock (Qty 25) |
| C Left Vertical Brace (Qty 1) | H Hanging Rod (Qty 2) | M Screws, Rod Bracket (Qty 8) |
| D Right Vertical Brace (Qty 1) | I "O" Rod Bracket (Qty 2) | N Screws, Install (Qty 8) |
| E Upper Set Shelf (Qty 1) | J "U" Rod Bracket (Qty 2) | |



TOOLS REQUIRED

(not included)

- O** Level
- P** Stud Finder
- Q** Drill, 3/32" bit size
- R** Phillips Screwdriver



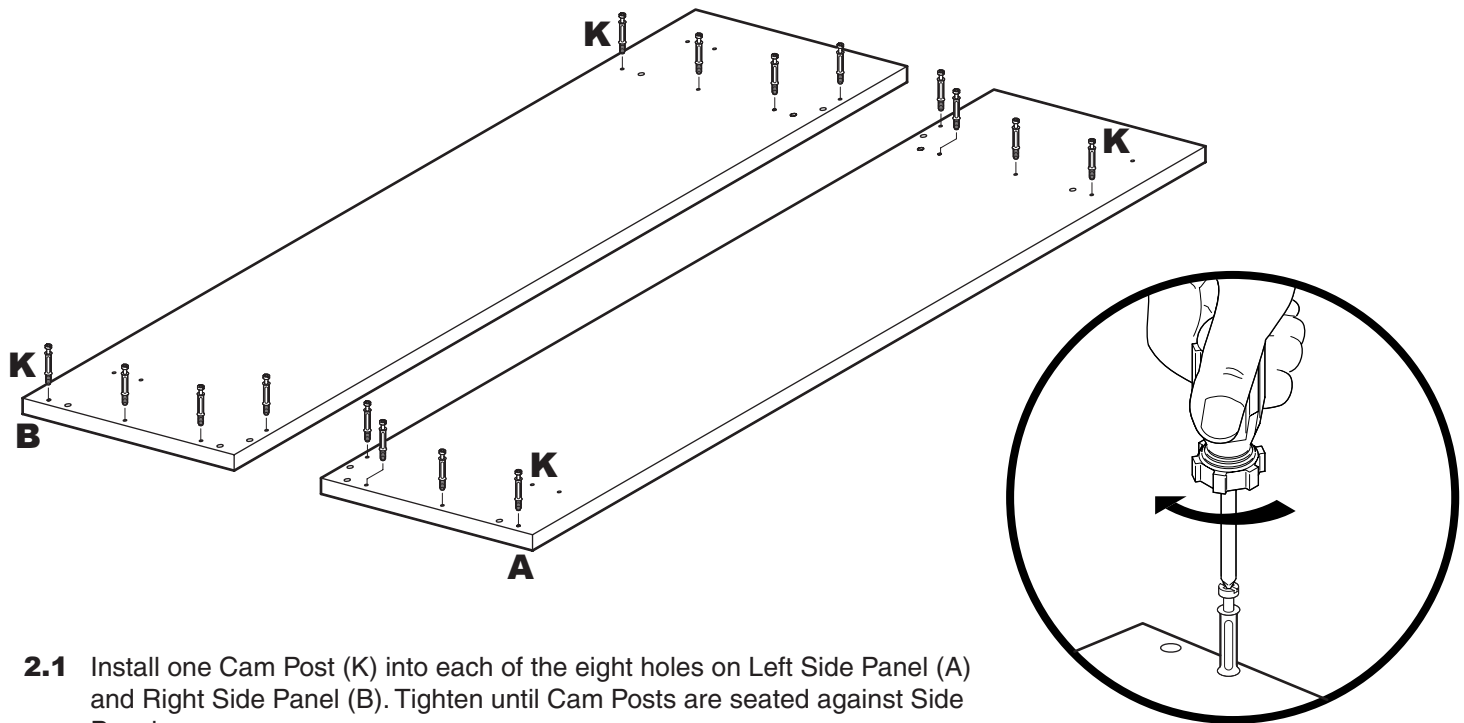
1.1 Lay parts out on a protective surface to prevent damage. *Tip: Spread out the cardboard packaging to use as a protective surface.*

1.2 Inventory parts against the Parts List. Make sure all parts are present before proceeding.

ASSEMBLY AND INSTALLATION INSTRUCTIONS

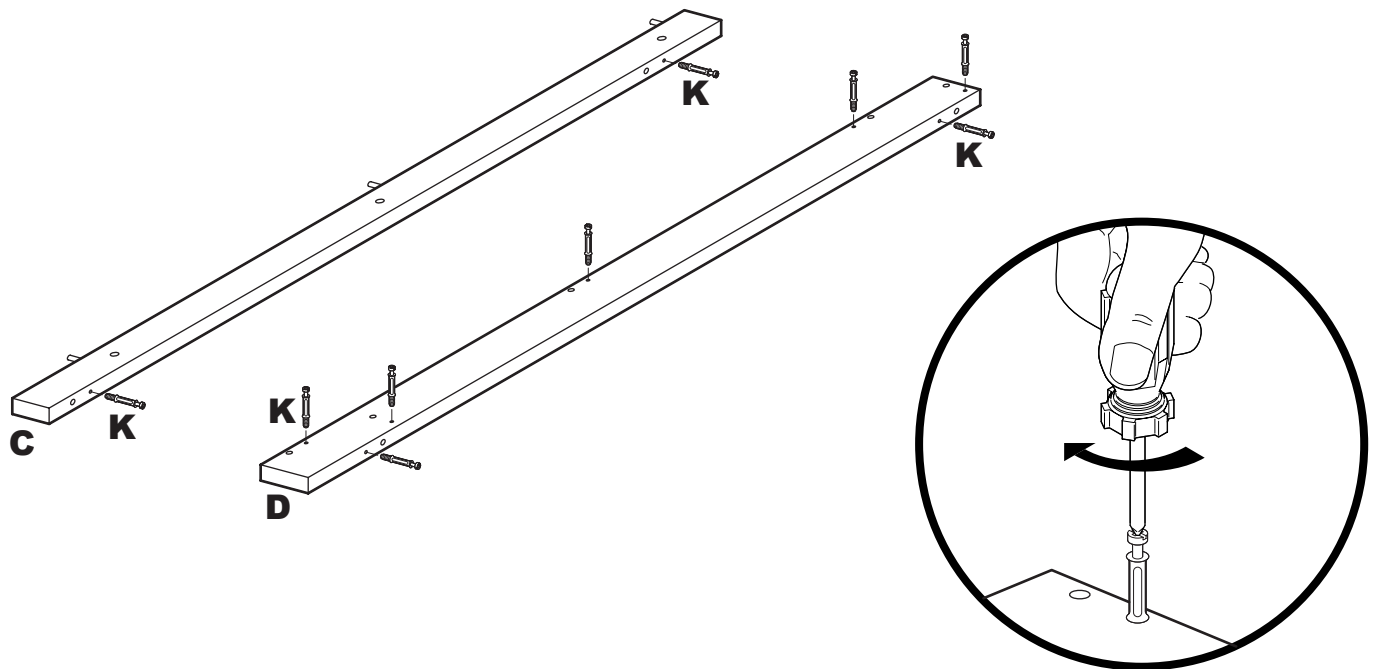
CORNER DOUBLE HANGING UNIT

2



- 2.1** Install one Cam Post (K) into each of the eight holes on Left Side Panel (A) and Right Side Panel (B). Tighten until Cam Posts are seated against Side Panels.

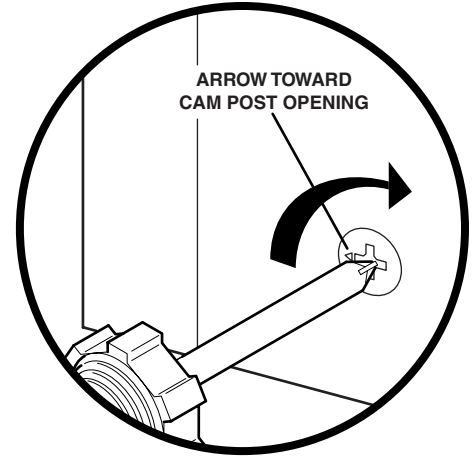
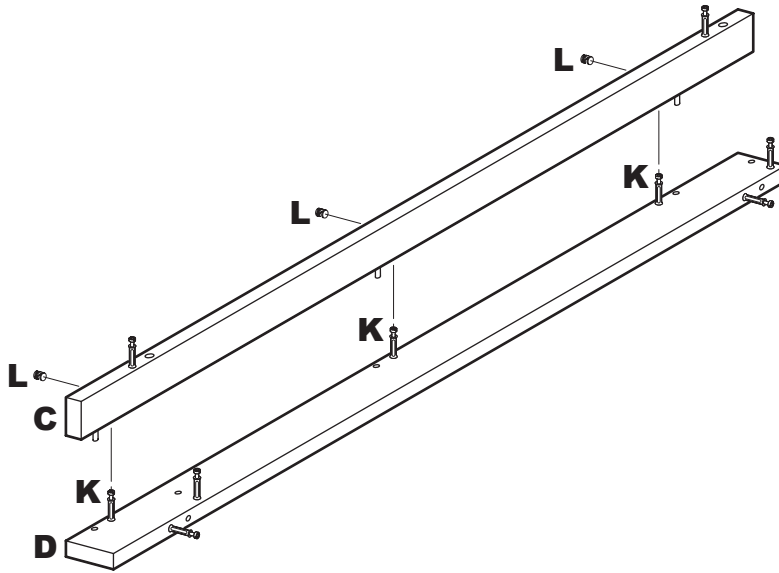
3



- 3.1** Install one Cam Post (K) into each of the two holes on Left Vertical Brace (C). Install one Cam Post (K) into each of the seven holes on Right Vertical Brace (D).
- 3.2** Tighten Cam Posts (K) until Posts are seated against Vertical Braces.

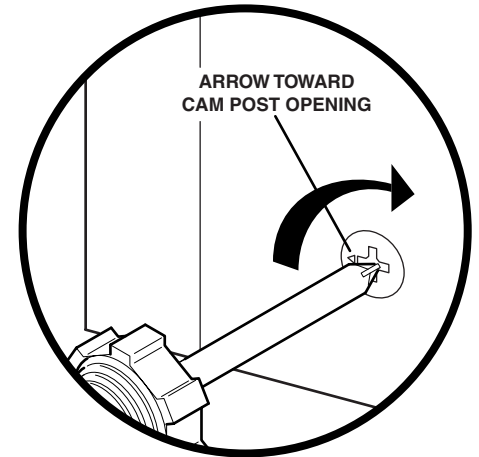
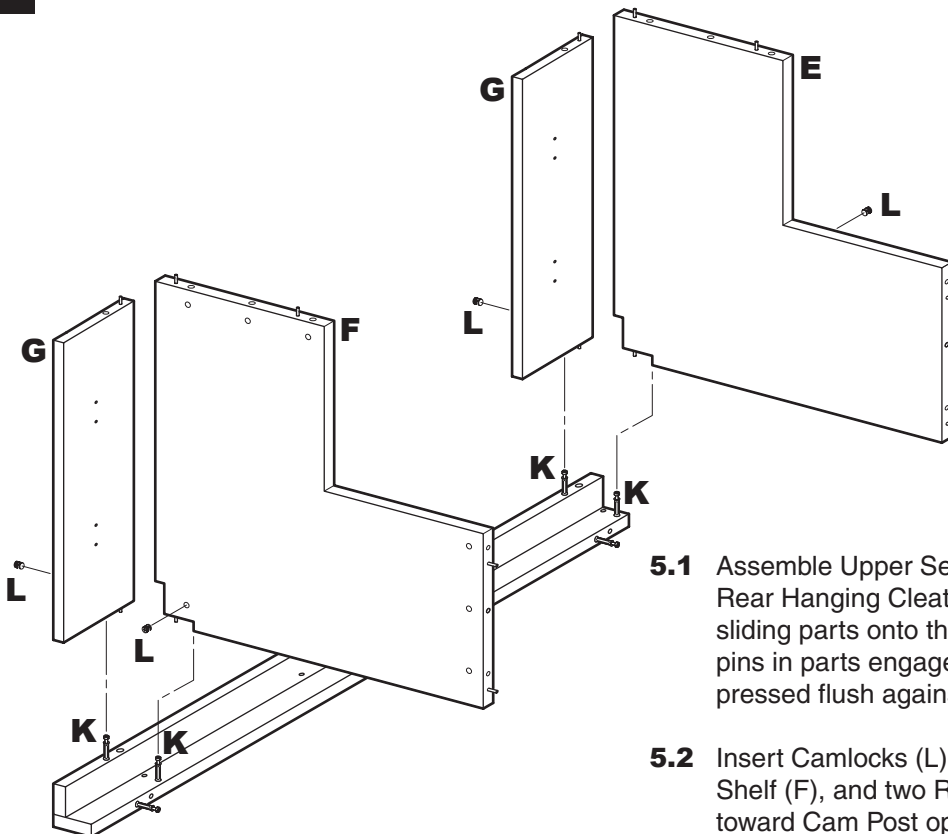
ASSEMBLY AND INSTALLATION INSTRUCTIONS CORNER DOUBLE HANGING UNIT

4



- 4.1** Assemble Left Vertical Brace (C) onto Right Vertical Brace (D) by sliding Left Brace onto the Cam Posts (K) on Right Brace. BE SURE dowel pins in Left Brace engage drilled holes in Right Brace, and Left Brace is pressed flush against Right Brace.
- 4.2** Insert Camlocks (L) in holes in Left Vertical Brace (C), with arrow pointing toward Cam Post opening. Be sure Camlocks engage Cam Posts, and are fully seated Left Brace. Tighten Camlocks (L) clockwise to lock.

5

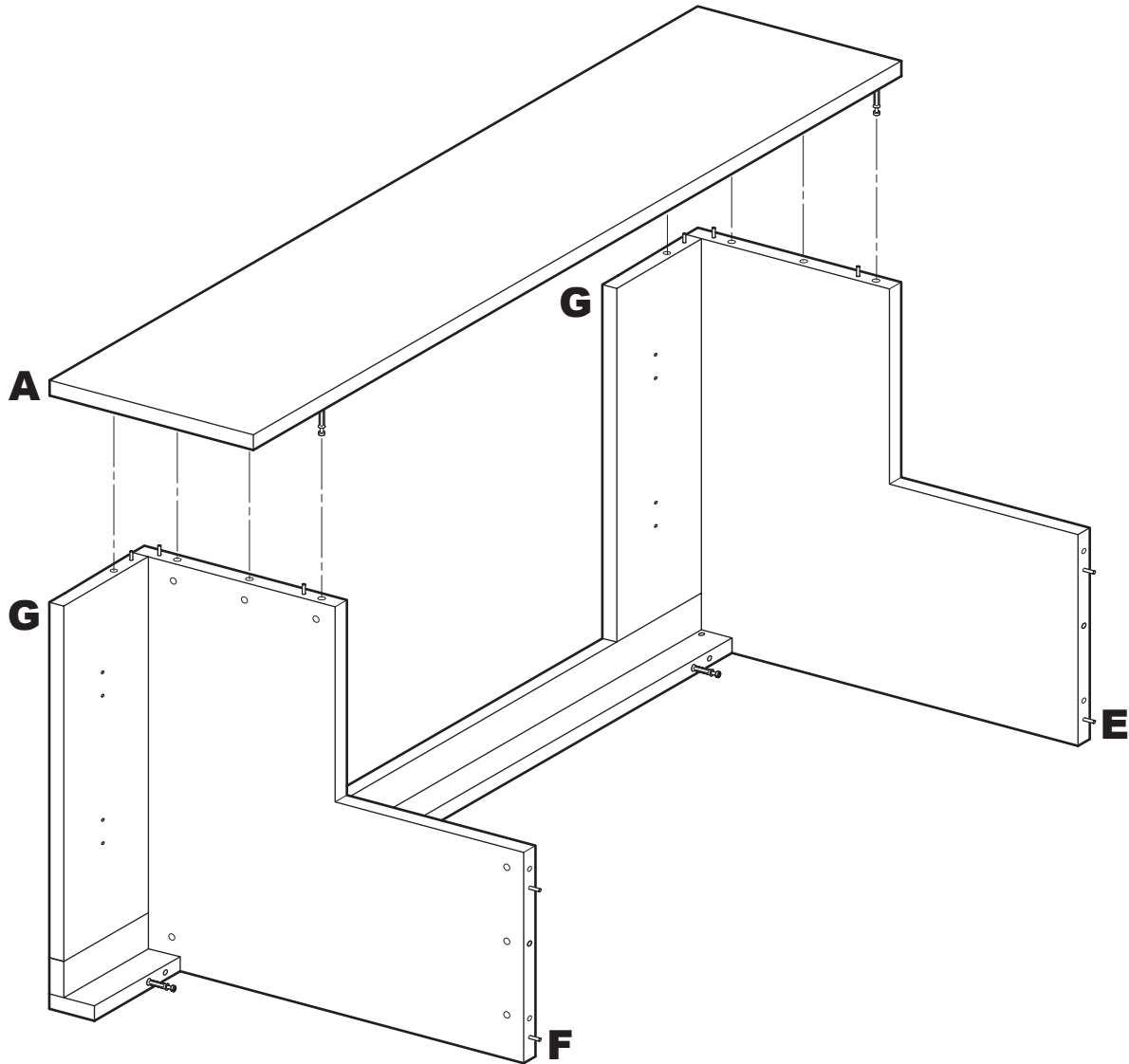


- 5.1** Assemble Upper Set Shelf (E), Lower Set Shelf (F), and two Rear Hanging Cleats (G) onto assembled Vertical Brace by sliding parts onto the Cam Posts (K) on Brace. BE SURE dowel pins in parts engage drilled holes in Brace, and all parts are pressed flush against Brace.
- 5.2** Insert Camlocks (L) in holes in Upper Set Shelf (E), Lower Set Shelf (F), and two Rear Hanging Cleats (G), with arrow pointing toward Cam Post opening. Be sure Camlocks engage Cam Posts, and are fully seated. Tighten Camlocks (L) clockwise to lock.

ASSEMBLY AND INSTALLATION INSTRUCTIONS

CORNER DOUBLE HANGING UNIT

6

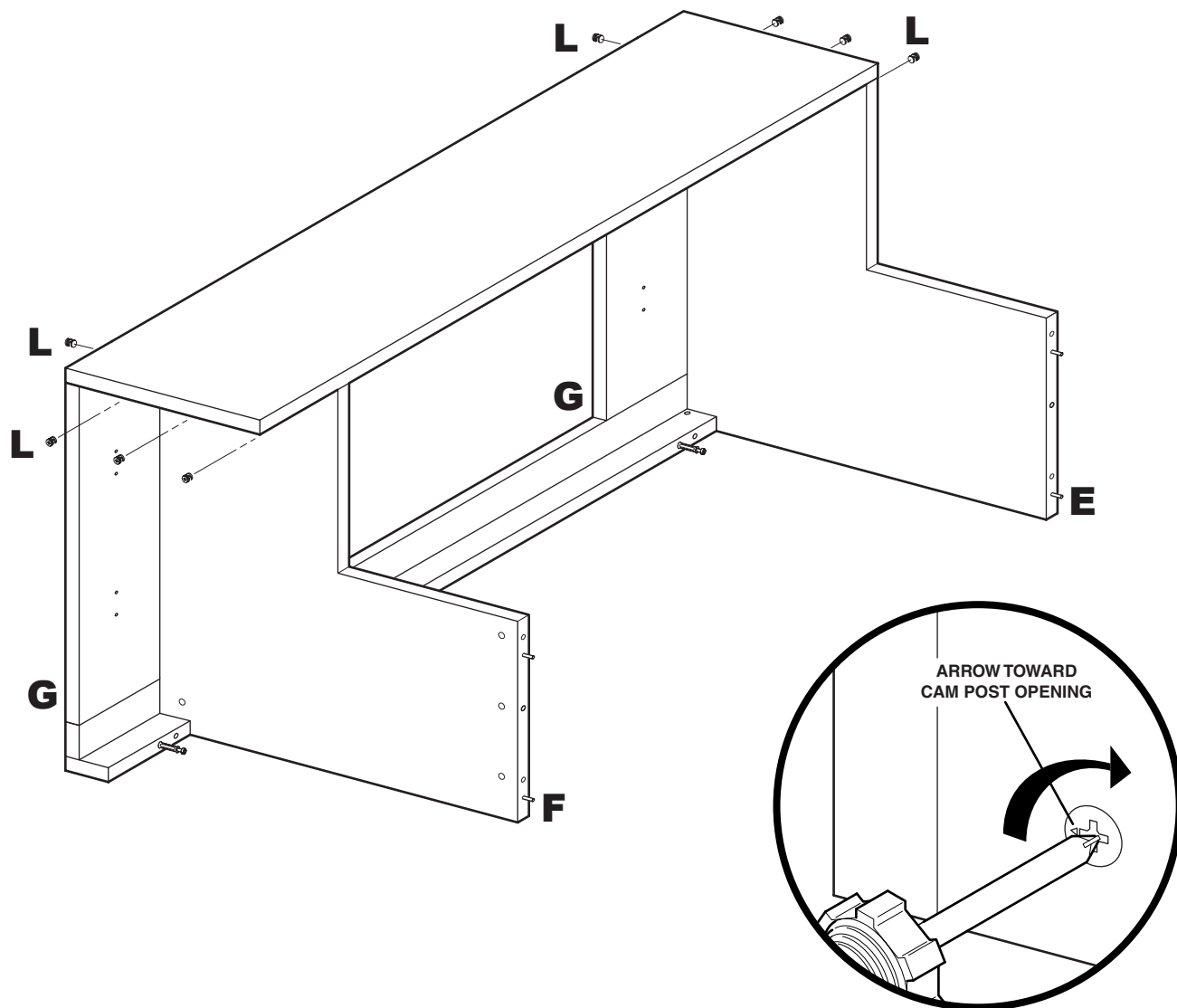


- 6.1** Install Left Side Panel (A) onto assembled Set Shelves (E, F) and Rear Hanging Cleats (G). BE SURE dowel pins in Shelves and Cleats engage drilled holes in Side Panel, and Side Panel is pressed flush against Set Shelves and Cleats.

ASSEMBLY AND INSTALLATION INSTRUCTIONS

CORNER DOUBLE HANGING UNIT

7



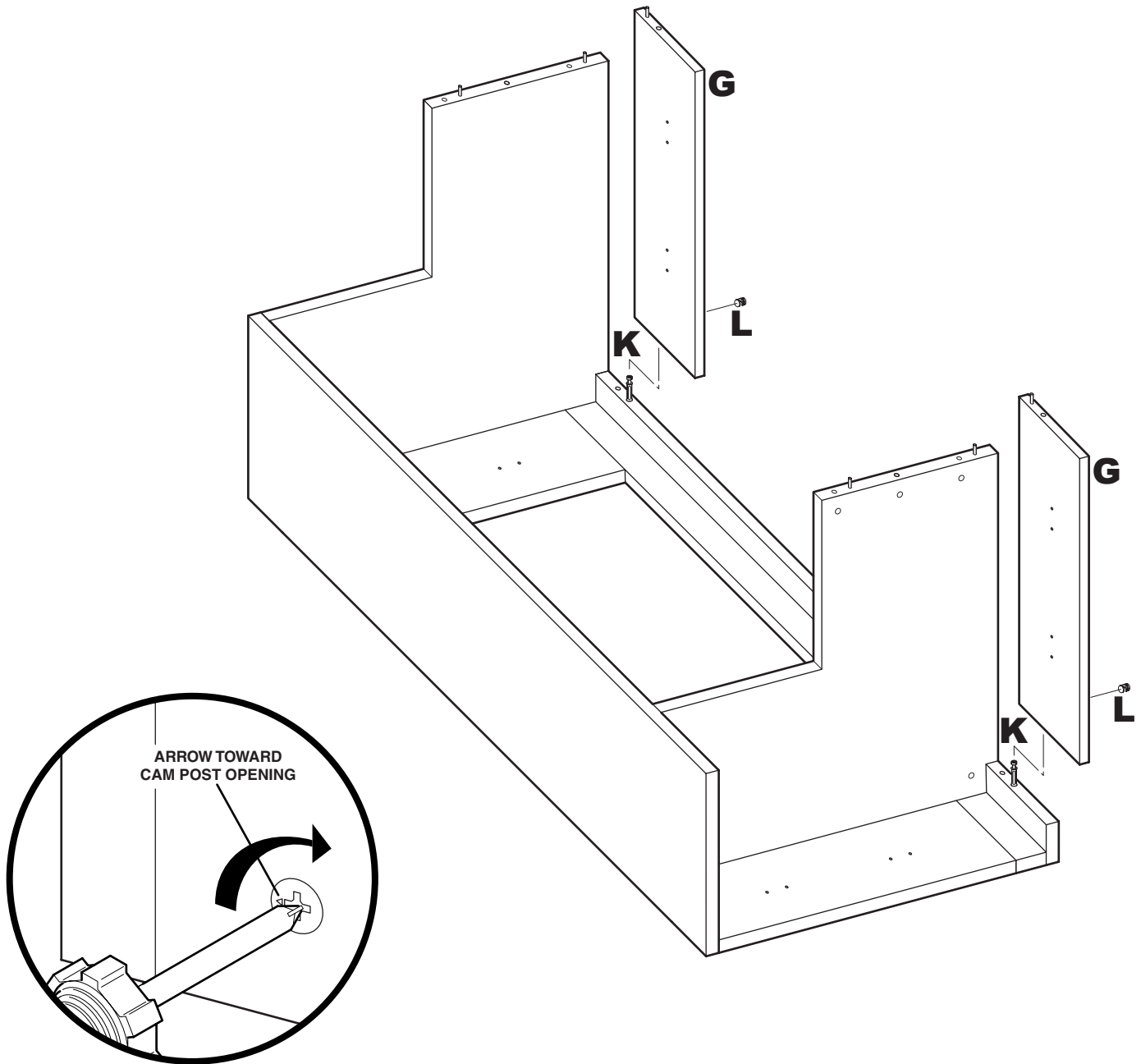
7.1 Insert Camlocks (L) in holes in Set Shelves (E, F) and Rear Hanging Cleats (G), with arrow pointing toward Cam Post opening. Be sure Camlocks engage Cam Posts, and are fully seated in Shelves and Cleats.

7.2 Tighten Camlocks (L) clockwise to lock.

ASSEMBLY AND INSTALLATION INSTRUCTIONS

CORNER DOUBLE HANGING UNIT

8

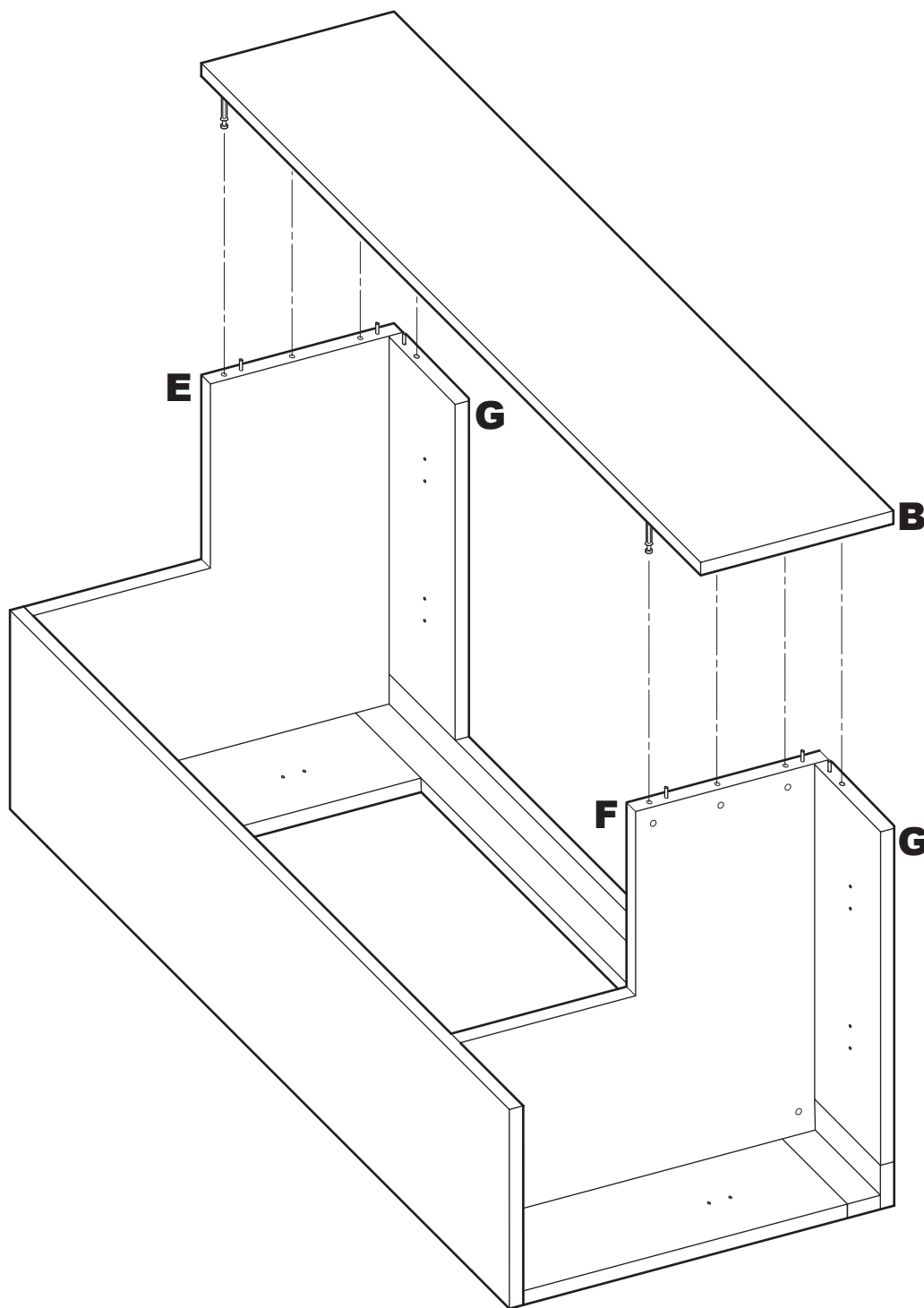


- 8.1** Rotate assembled unit 90 degrees to allow for installation of Right Side Panel.
- 8.2** Assemble two Rear Hanging Cleats (G) onto assembled Vertical Brace by sliding parts onto the Cam Posts (K) on Brace. BE SURE dowel pins in Cleats engage drilled holes in Brace, and parts are pressed flush against Brace.
- 8.3** Insert Camlocks (L) in holes in two Rear Hanging Cleats (G), with arrow pointing toward Cam Post opening. Be sure Camlocks engage Cam Posts, and are fully seated.
- 8.4** Tighten Camlocks (L) clockwise to lock.

ASSEMBLY AND INSTALLATION INSTRUCTIONS

CORNER DOUBLE HANGING UNIT

9

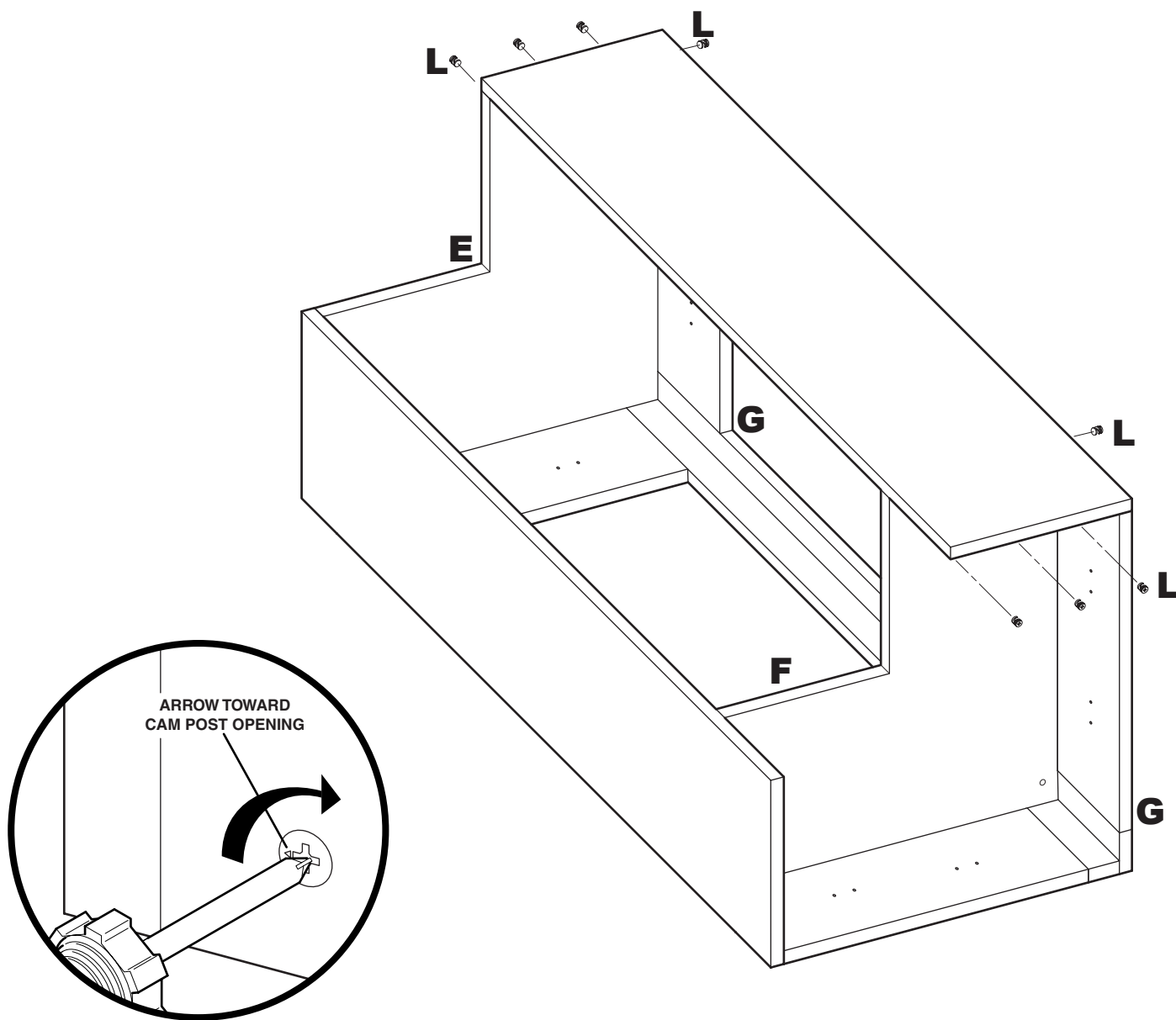


- 9.1** Install Right Side Panel (B) onto assembled Set Shelves (E, F) and Rear Hanging Cleats (G). BE SURE dowel pins in Shelves and Cleats engage drilled holes in Side Panel, and Side Panel is pressed flush against Set Shelves and Cleats.

ASSEMBLY AND INSTALLATION INSTRUCTIONS

CORNER DOUBLE HANGING UNIT

10

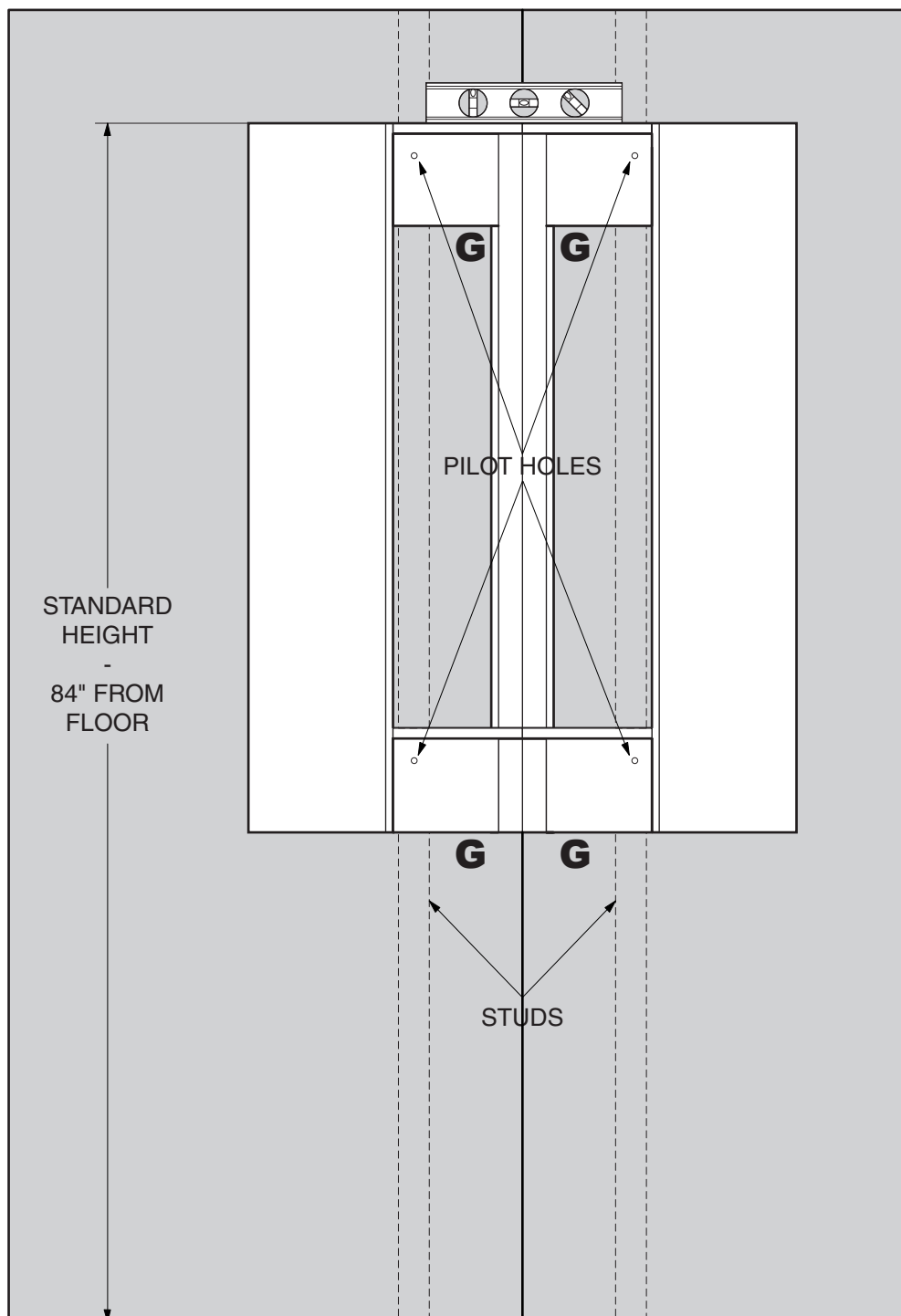


10.1 Insert Camlocks (L) in holes in Set Shelves (E, F) and Rear Hanging Cleats (G), with arrow pointing toward Cam Post opening. Be sure Camlocks engage Cam Posts, and are fully seated in Shelves and Cleats.

10.2 Tighten Camlocks (L) clockwise to lock.

ASSEMBLY AND INSTALLATION INSTRUCTIONS CORNER DOUBLE HANGING UNIT

11



INSTALLATION

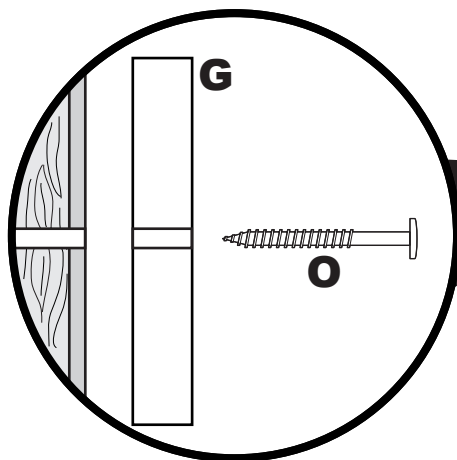
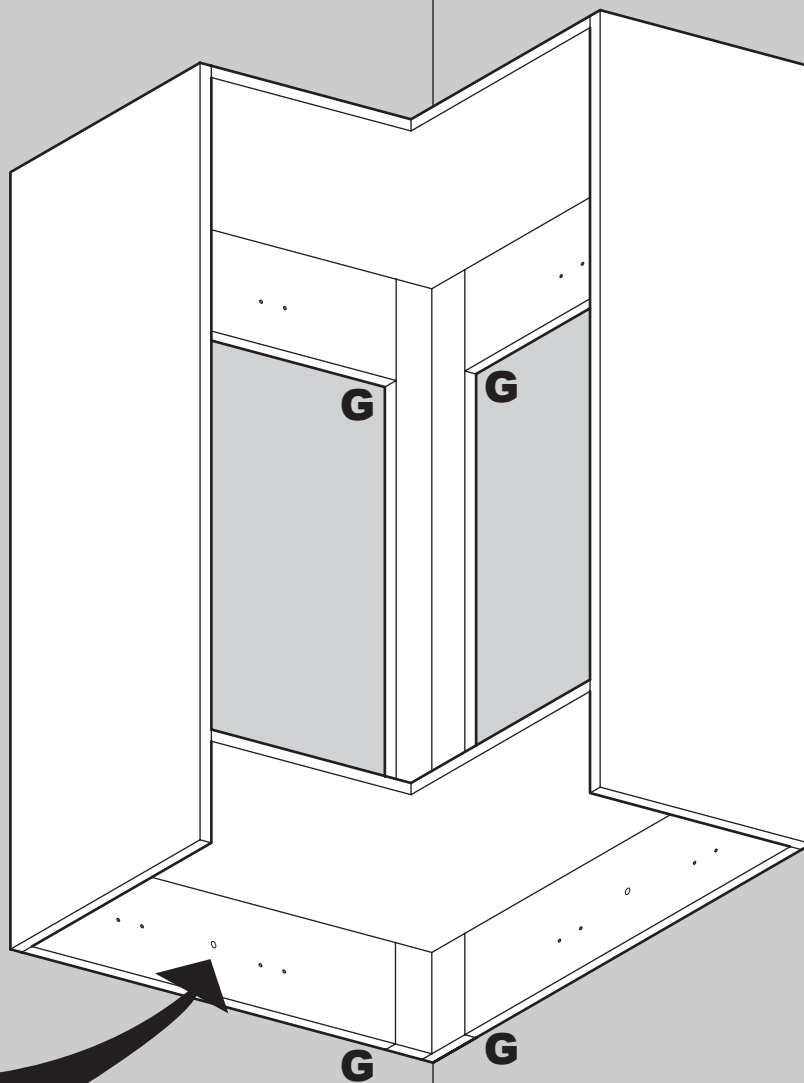
- 11.1** Determine the mounting location for the unit.
- 11.2** Using a stud finder, locate studs to which the unit will be secured. Mark stud locations with a pencil.
- 11.3** With the unit positioned at the desired location, level the unit, then drill pilot holes at two locations through each Rear Hanging Cleat (G).

ASSEMBLY AND INSTALLATION INSTRUCTIONS

CORNER DOUBLE HANGING UNIT

12

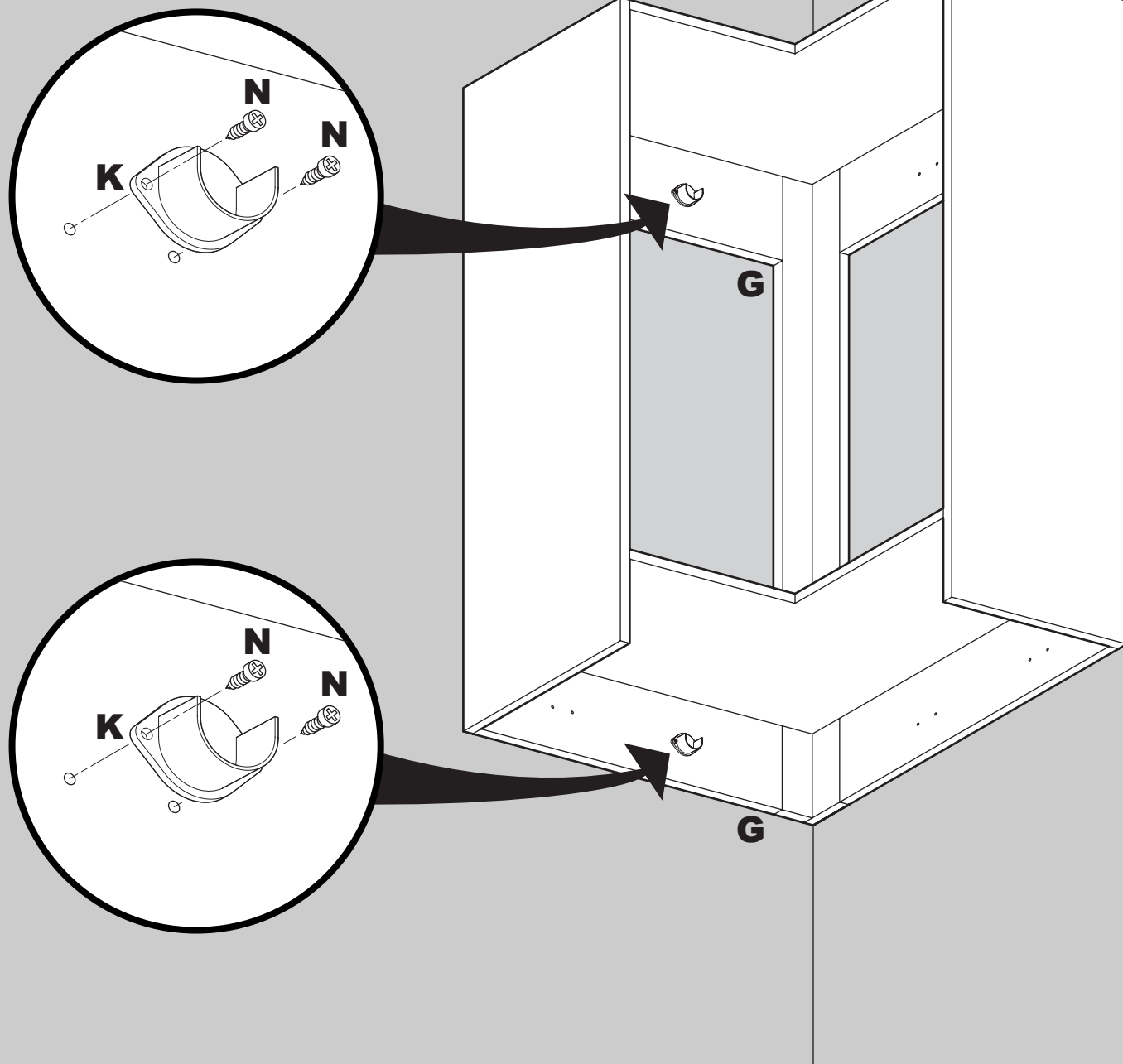
12.1 Secure Rear Hanging Cleats (G) to studs using 3" Screws (O).



ASSEMBLY AND INSTALLATION INSTRUCTIONS

CORNER DOUBLE HANGING UNIT

13

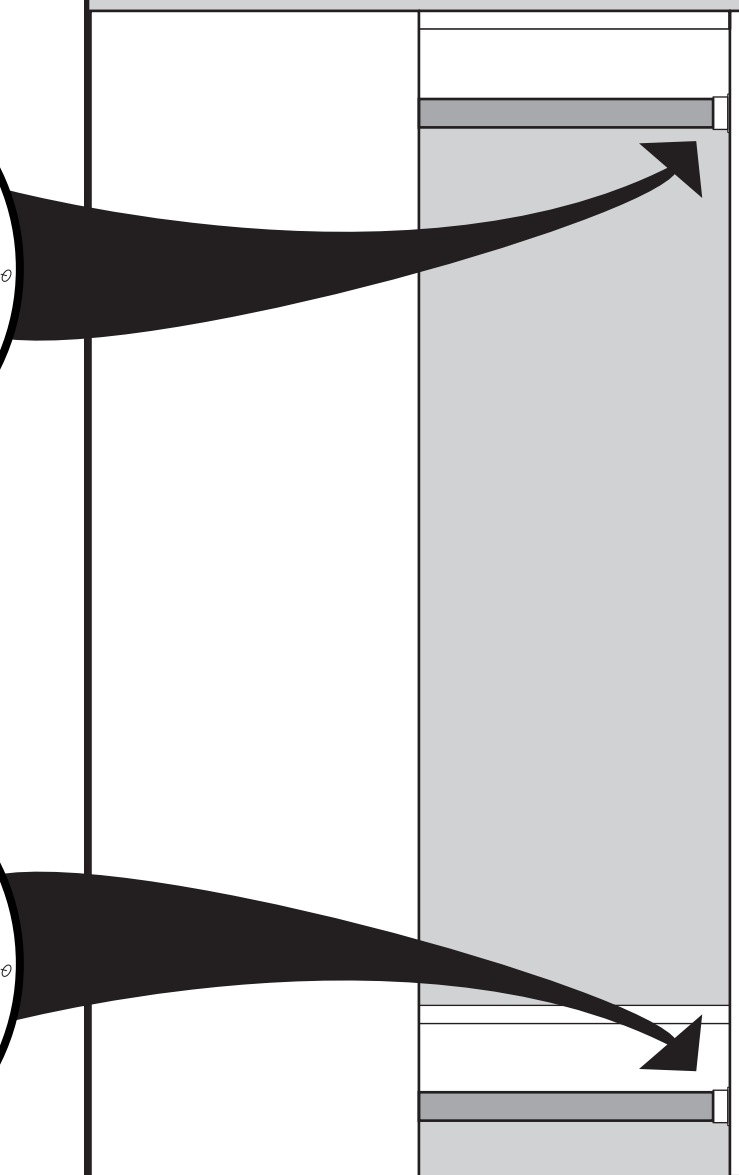
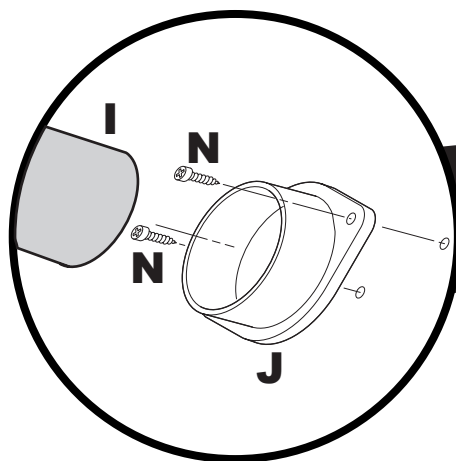
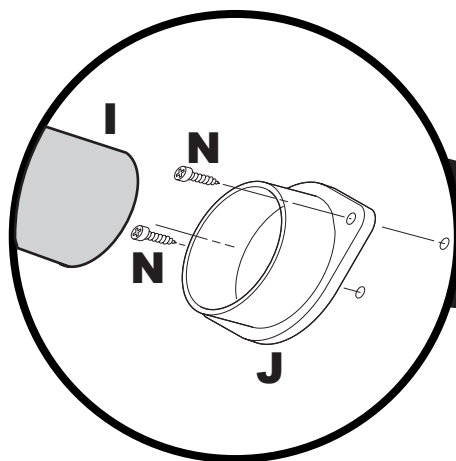


13.1 Determine the side of the unit on which you wish to install the rods. Position upper "U" Bracket (K) on left or right side Rear Hanging Cleat (G), as appropriate, and secure Bracket with two screws (N). Repeat for lower "U" Bracket (K).

ASSEMBLY AND INSTALLATION INSTRUCTIONS

CORNER DOUBLE HANGING UNIT

14



NOTE: Use care when installing Hanging Rods (I) to avoid scratching finish inside unit.

- 14.1** Insert one end of upper Hanging Rod (I) into "O" Bracket (J).
- 14.2** Slide assembled Hanging Rod (I) and "O" Bracket (J) into unit. Rest free end of Hanging Rod in "U" Bracket.
- 14.3** Secure "O" Bracket (J) to Left Side Panel (A) or Right Side Panel (B), as appropriate, with two Screws (N).
- 14.4** Repeat for lower Hanging Rod (I) and "O" Bracket (J).