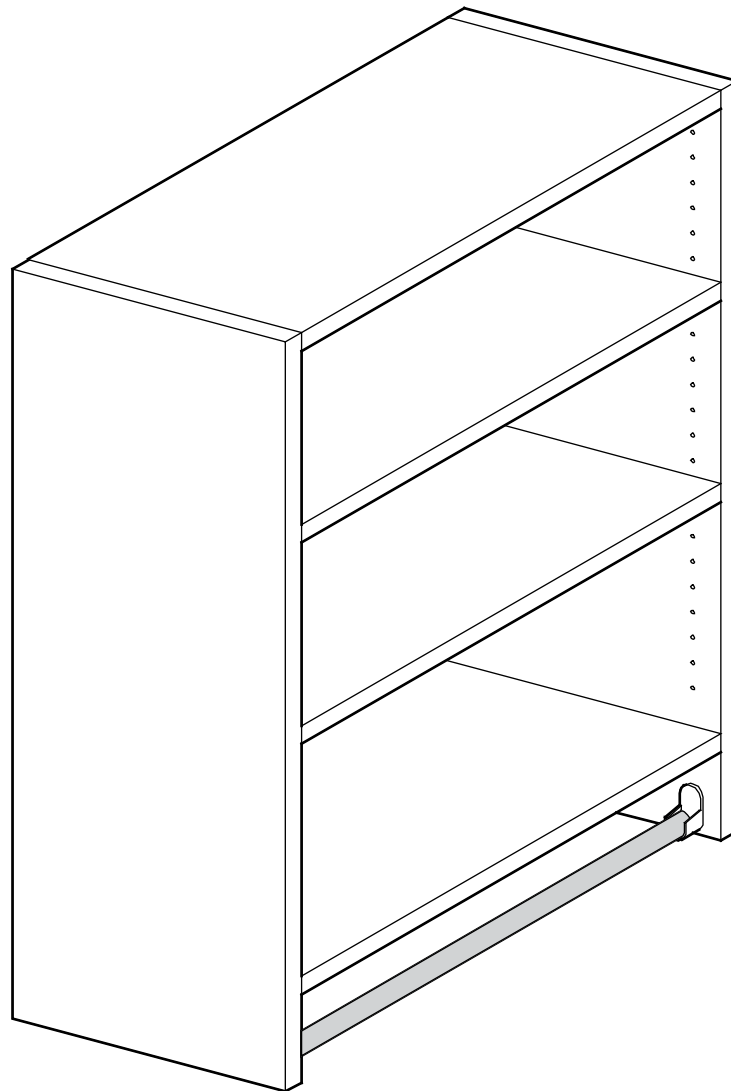
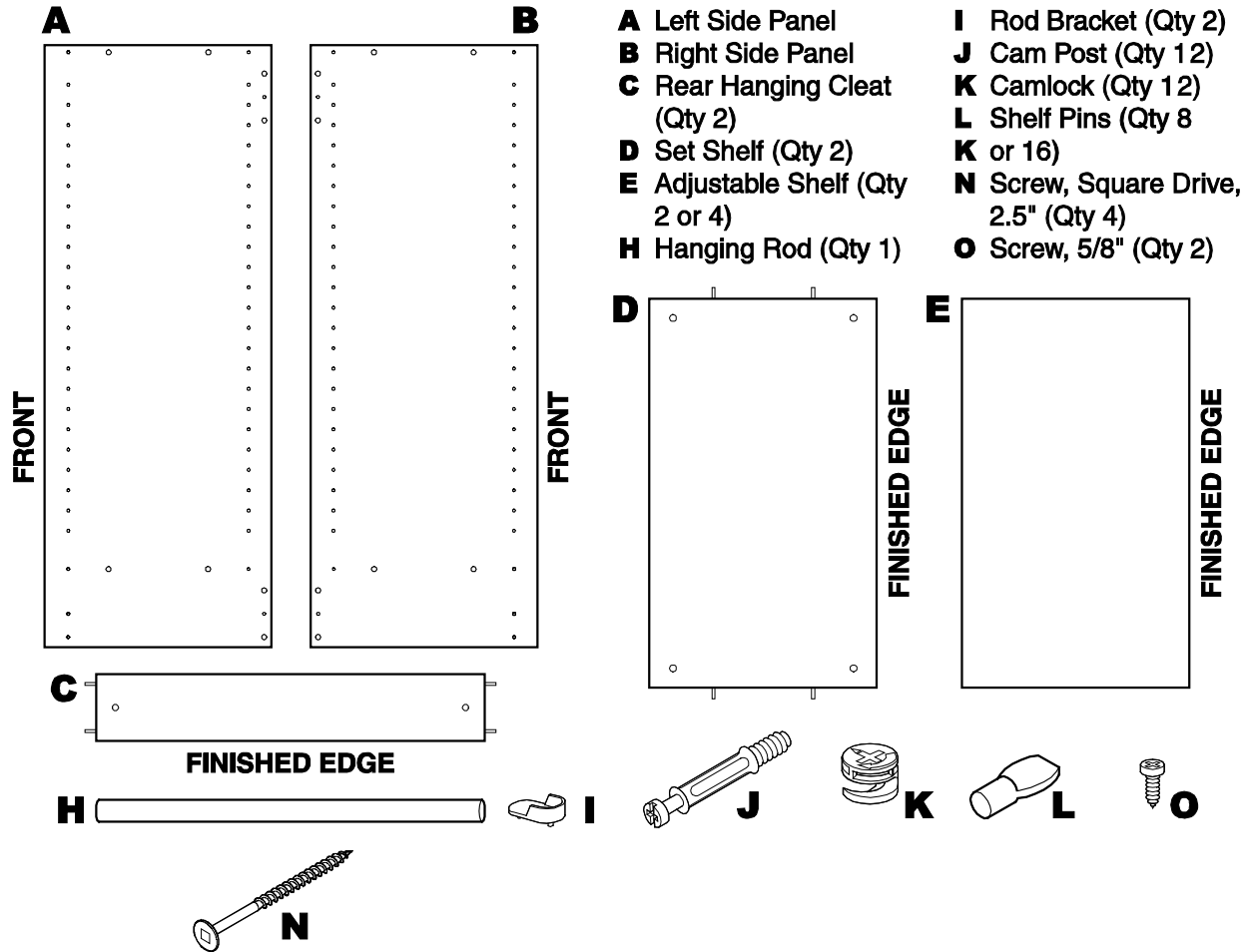


Medium Hanging Unit



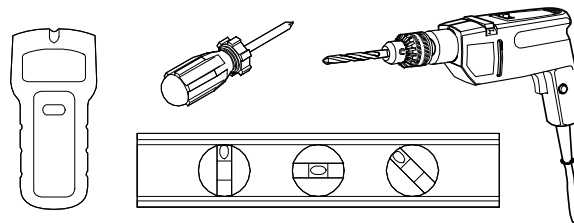
1

PARTS LIST



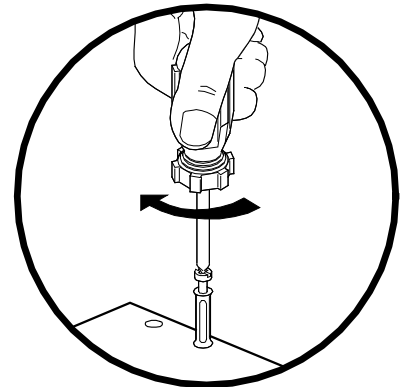
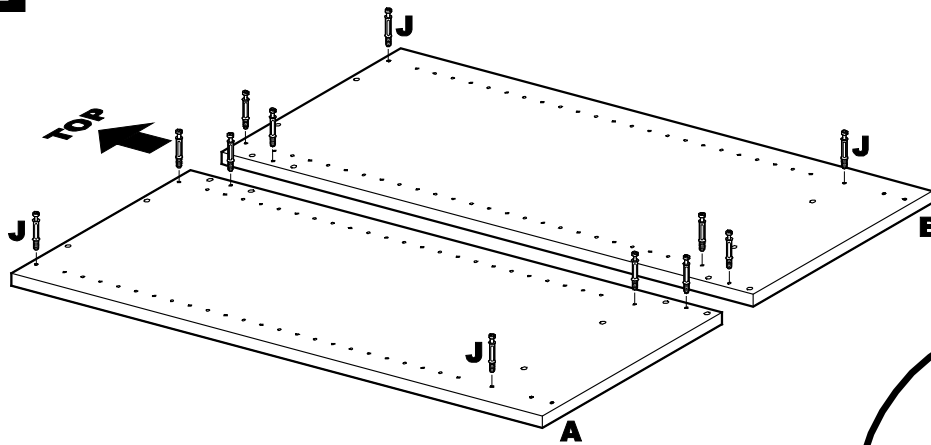
TOOLS REQUIRED
(not included unless noted)

- Level
- Stud Finder
- Drill, 3/32" bit size
- Phillips Screwdriver
- Drill Bit, Square, #2



- 1.1** Lay parts out on a protective surface to prevent damage. *Tip: Spread out the cardboard packaging to use as a protective surface.*
- 1.2** Inventory parts against the Parts List. Make sure all parts are present before proceeding.

2



2.1 Install one Cam Post (J) into each of the six holes on Left Side Panel (A) and Right Side Panel (B). Tighten until Cam Posts are seated against Side Panels.

3

3.1 Assemble Set Shelves (D) and Rear Hanging Cleats (C) onto Right Side Panel (B) by sliding the Shelves and Cleats onto the Cam Posts (J) on Right Side Panel. **BE SURE** dowel pins in Shelves and Cleats engage drilled holes in Right Side Panel, and all parts are pressed flush against Right Side Panel.

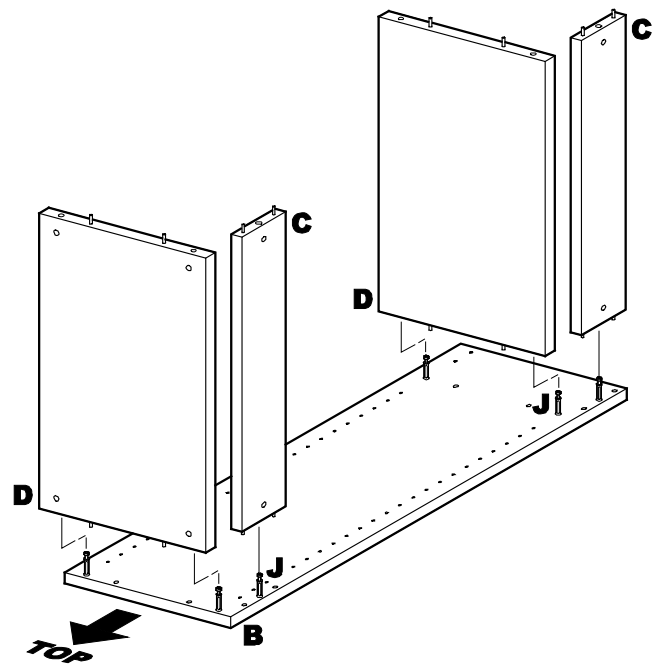
IMPORTANT NOTES

Install Set Shelves (D) with finished edges facing forward (toward front of unit).

Install Rear Hanging Cleats (C) with holes for Cam Locks facing the rear of the unit and the unfinished edge against the Set Shelf (D).

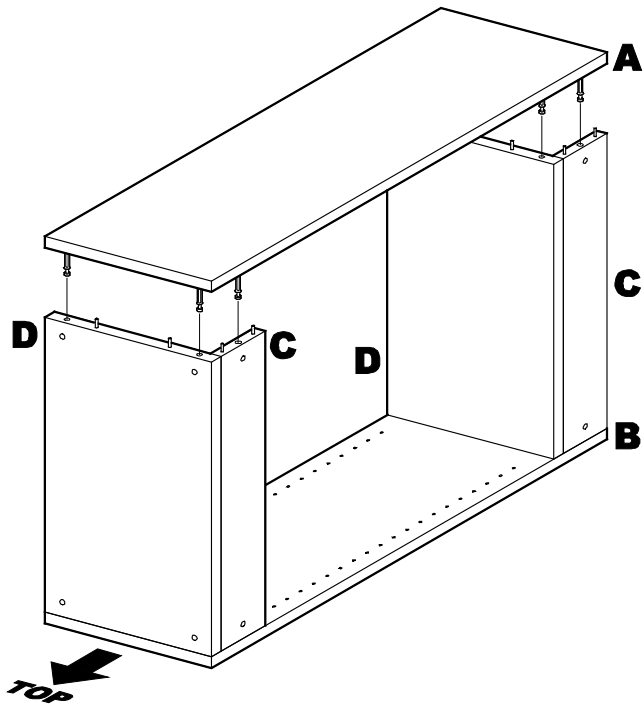
Install upper Set Shelf (D) with holes for Cam Locks facing the top of the unit.

Install lower Set Shelf (D) with holes for Cam Locks facing the bottom of the unit.



4

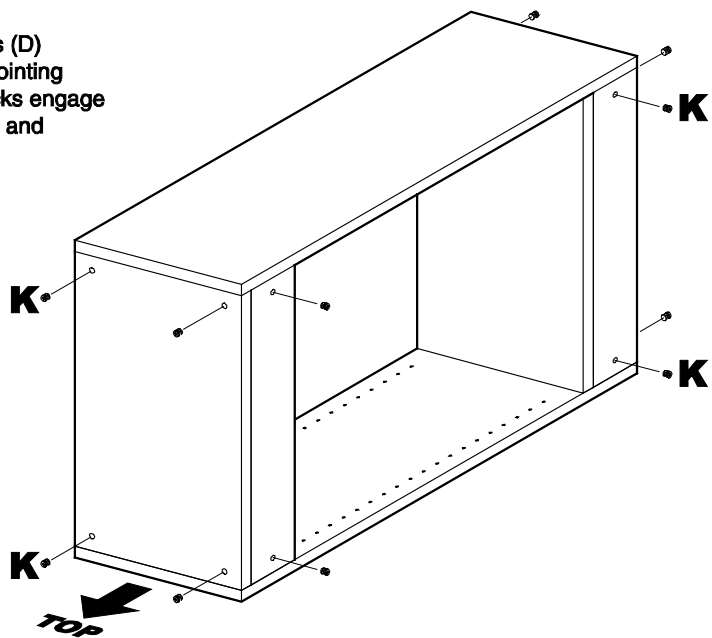
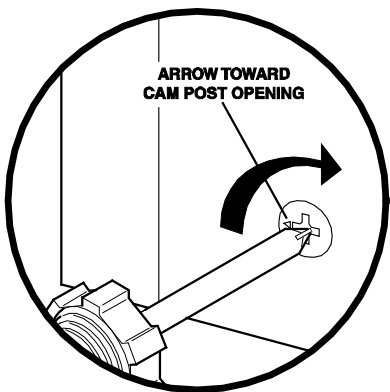
4.1 Install Left Side Panel (A) onto assembled Set Shelves (D) and Rear Hanging Cleats (C). BE SURE dowel pins in Shelves and Cleats engage drilled holes in Left Side Panel, and Left Side Panel is pressed flush against Set Shelves and Cleats.



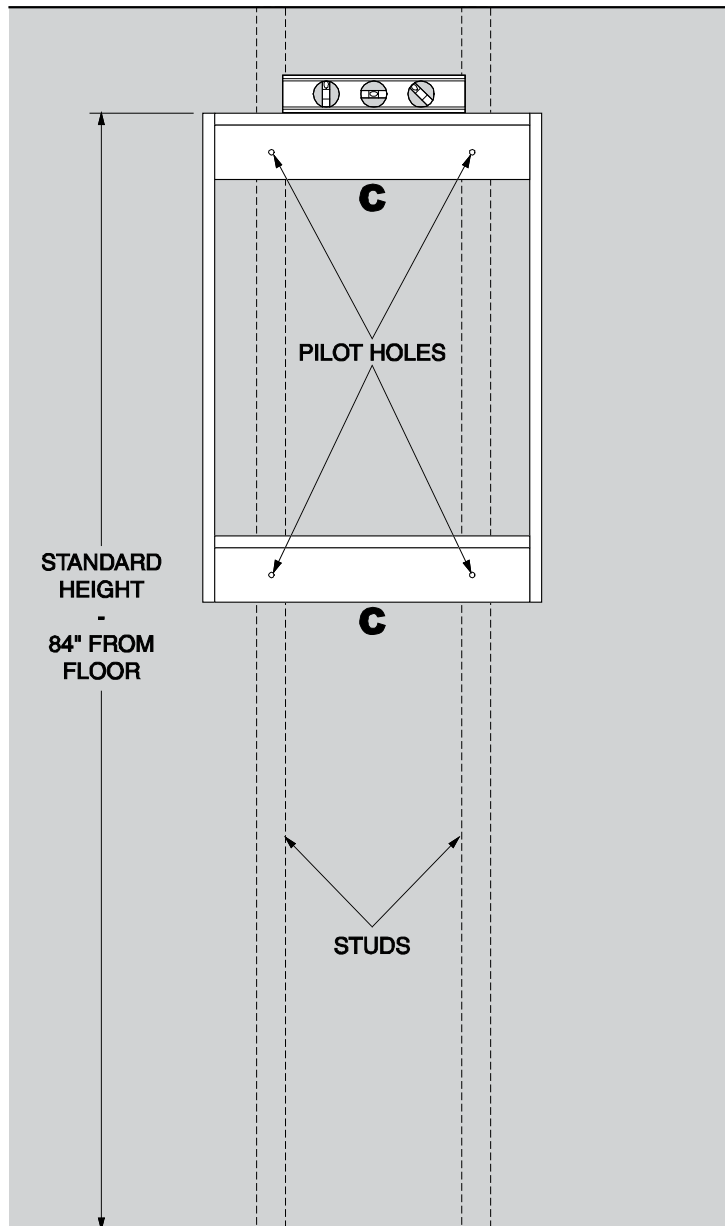
5

5.1 Insert Camlocks (K) in holes in Set Shelves (D) and Rear Hanging Cleats (C), with arrow pointing toward Cam Post opening. Be sure Camlocks engage Cam Posts, and are fully seated in Shelves and Cleats.

5.2 Tighten Camlocks (K) clockwise to lock.

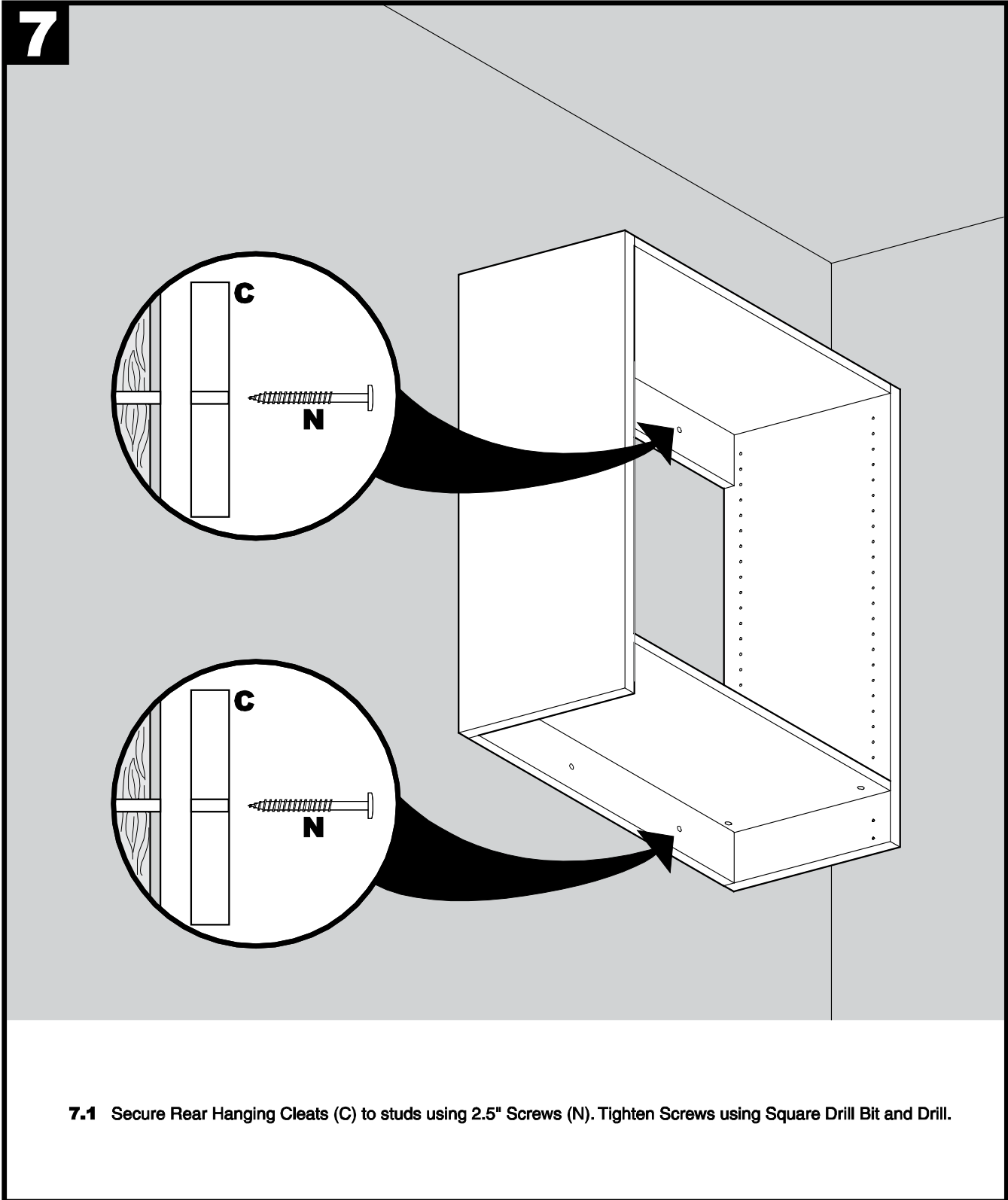


6



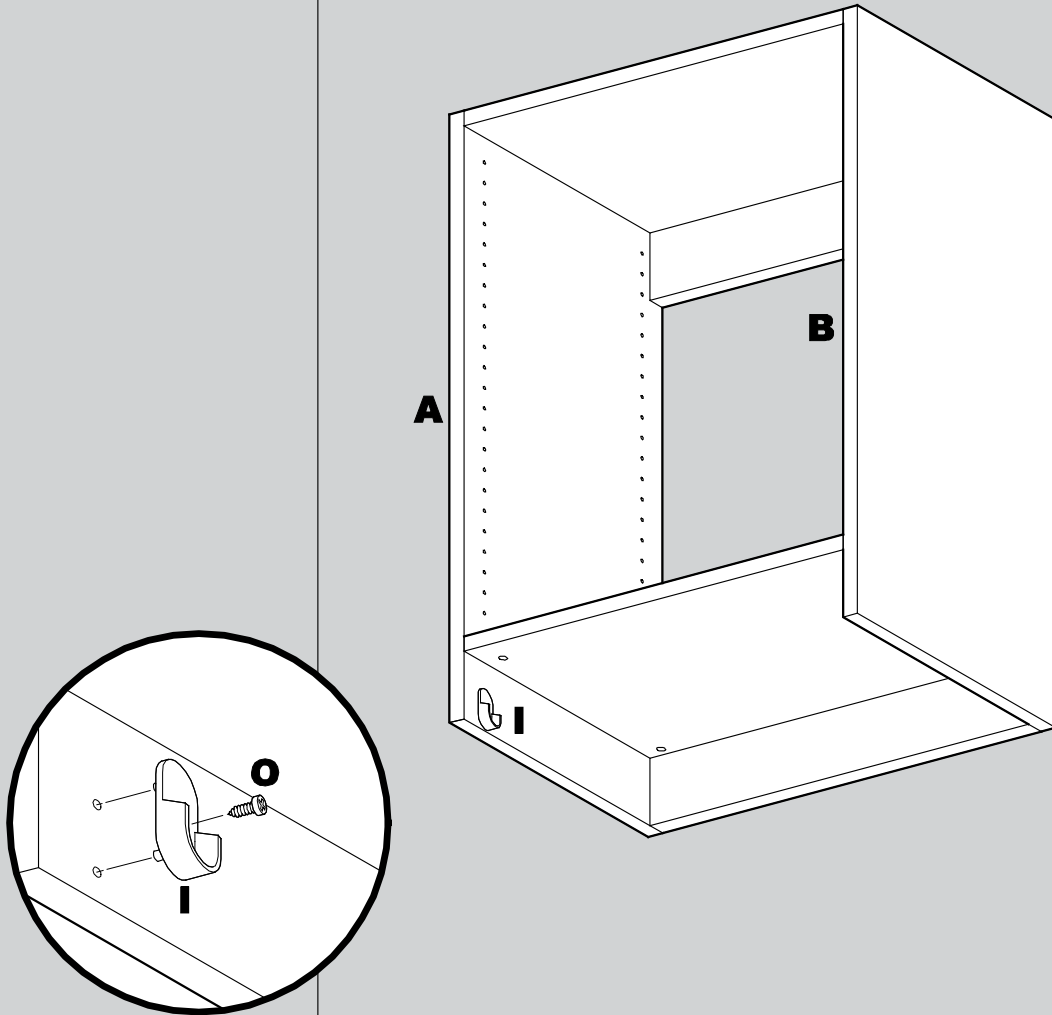
INSTALLATION

- 6.1** Determine the mounting location for the unit.
 - 6.2** Using a stud finder, locate studs to which the unit will be secured. Mark stud locations with a pencil.
 - 6.3** With the unit positioned at the desired location, level the unit, then drill pilot holes through Rear Hanging Cleats (C),
- NOTE:** For units under 25-1/2 inches wide, it is likely that only one stud will pass through the unit. In these cases, use two screws through each Rear Hanging Cleat.



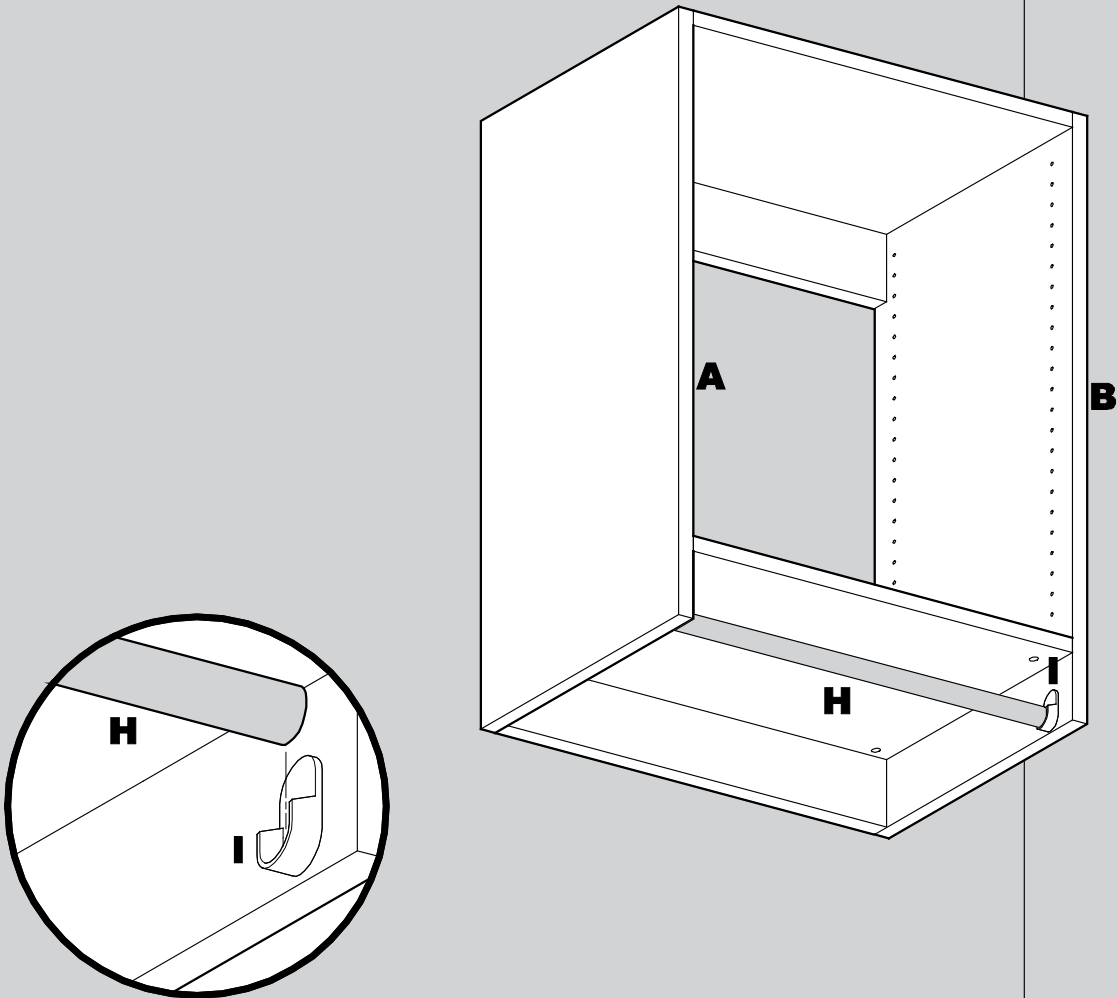
7.1 Secure Rear Hanging Cleats (C) to studs using 2.5" Screws (N). Tighten Screws using Square Drill Bit and Drill.

8



8.1 Install one Rod Bracket (I) on Left Side Panel (A) and Right Side Panel (B) and secure each Bracket with one screw (O).

9

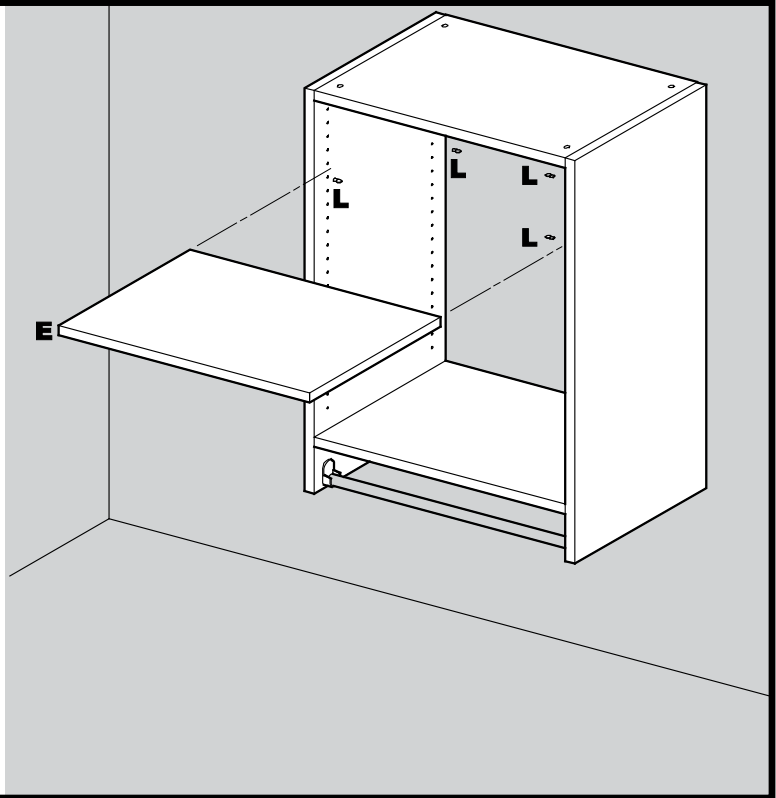


NOTE: Use care when installing Hanging Rod (H) to avoid scratching finish inside unit.

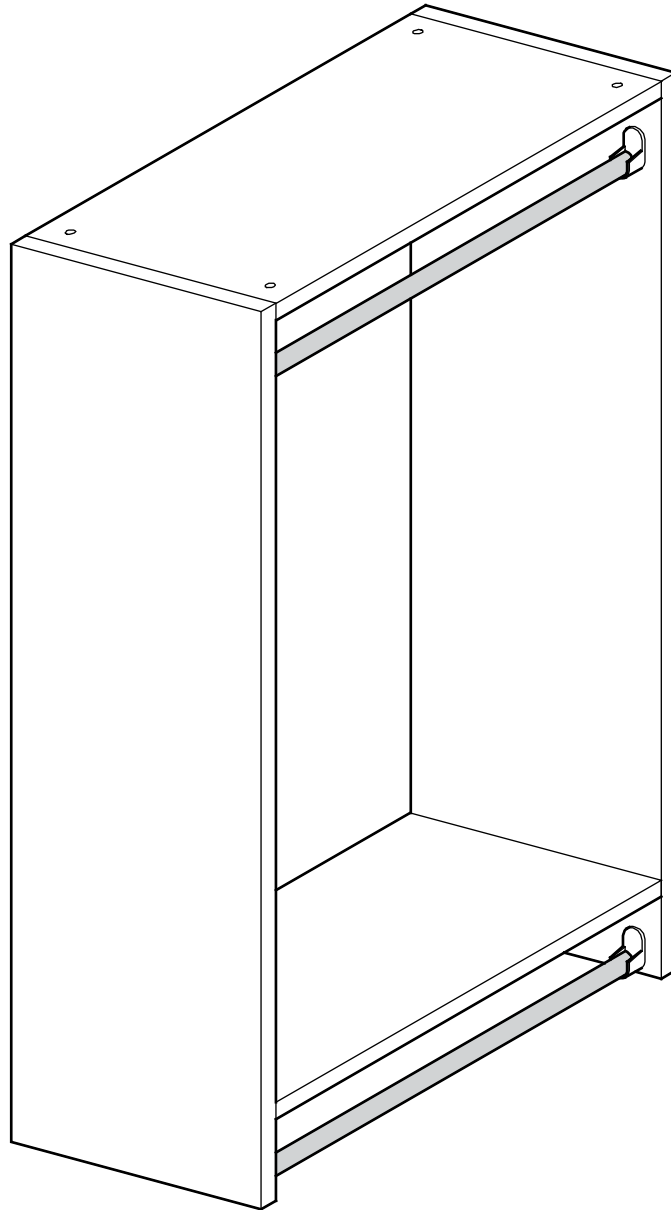
9.1 Lower Hanging Rod (H) into Rod Brackets (I) on Left Side Panel (A) and Right Side Panel (B).

10

- 10.1** For each Adjustable Shelf (E), insert four Shelf Pins (L) into pin holes inside the Tower at the desired height.
- 10.2** Rest Adjustable Shelves (E) on Shelf Pins (L).

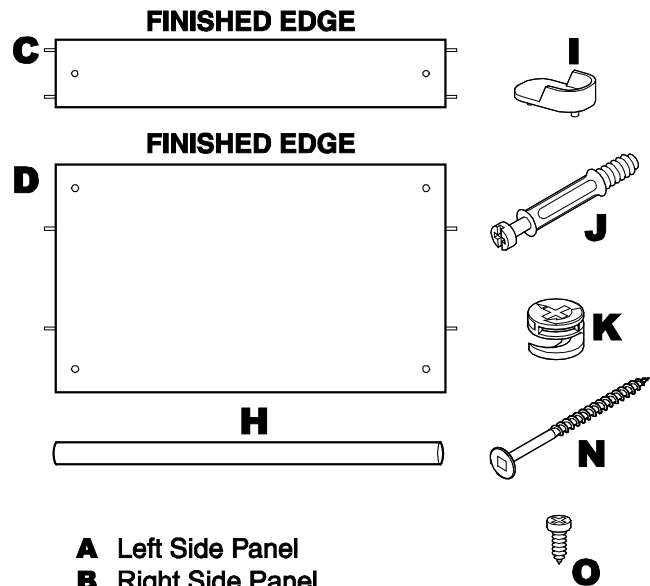
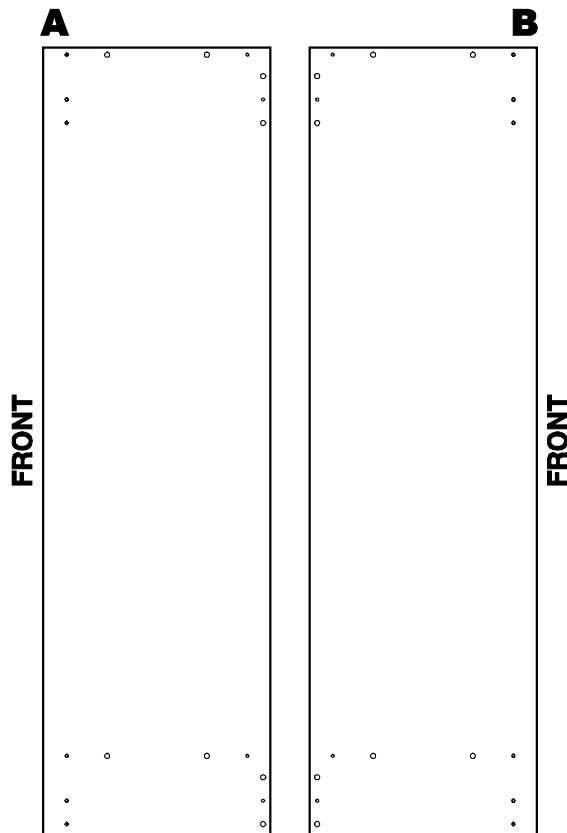


Double Hanging Unit



1A

PARTS LIST



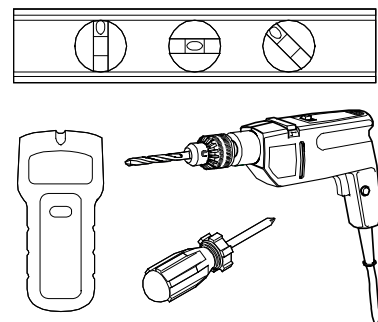
- A** Left Side Panel
- B** Right Side Panel
- C** Rear Cleat (Qty 2)
- D** Set Shelf (Qty 2)
- H** Hanging Rod (Qty 2)
- I** Rod Bracket (Qty 4)
- J** Cam Post (Qty 12)
- K** Camlock (Qty 12)
- N** Screw, Square Drive, 2.5" (Qty 4)
- O** Screw, 5/8" (Qty 4)

1B

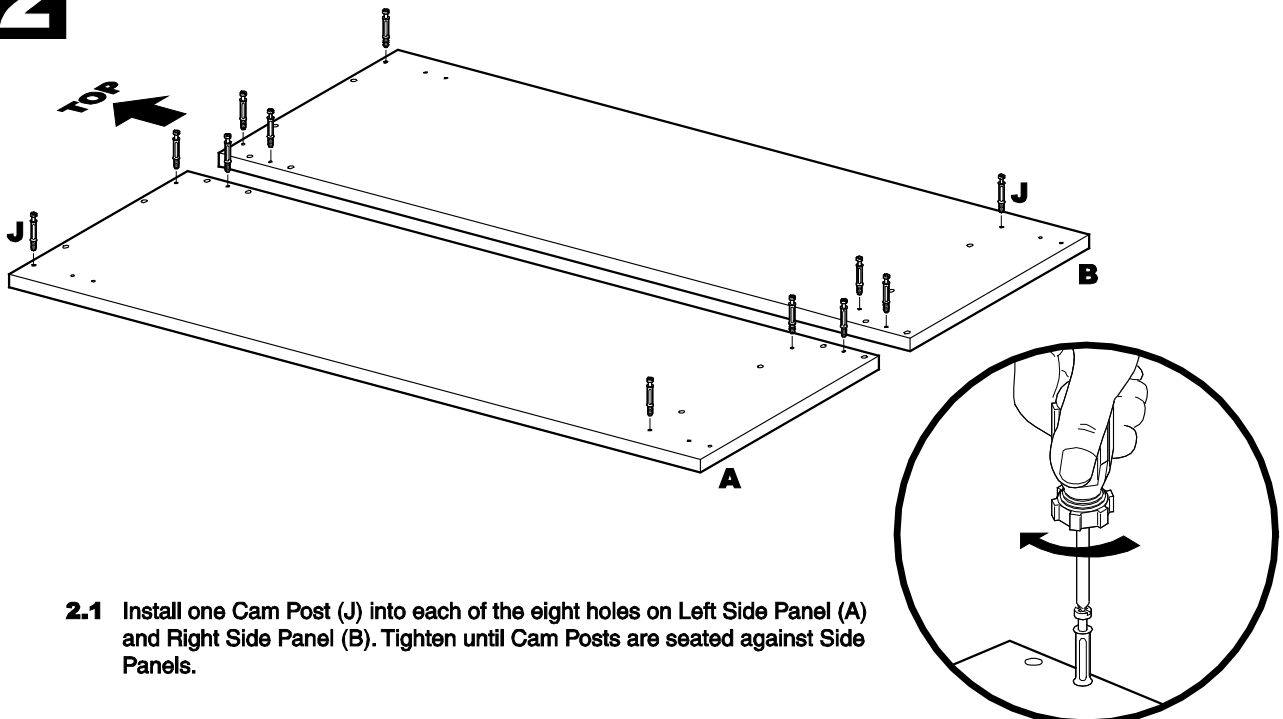
- 1.1** Lay parts out on a protective surface to prevent damage. *Tip: Spread out the cardboard packaging to use as a protective surface.*
- 1.2** Inventory parts against the Parts List. Make sure all parts are present before proceeding.

TOOLS REQUIRED (not included unless noted)

- Level
- Stud Finder
- Drill, 3/32" bit size
- Phillips Screwdriver
- Drill Bit, Square, #2



2



2.1 Install one Cam Post (J) into each of the eight holes on Left Side Panel (A) and Right Side Panel (B). Tighten until Cam Posts are seated against Side Panels.

3

3.1 Assemble Set Shelves (D) and Rear Hanging Cleats (C) onto Right Side Panel (B) by sliding the Shelves and Cleats onto the Cam Posts (J) on Right Side Panel. BE SURE dowel pins in Shelves and Cleats engage drilled holes in RightSide Panel, and all parts are pressed flush against Right Side Panel.

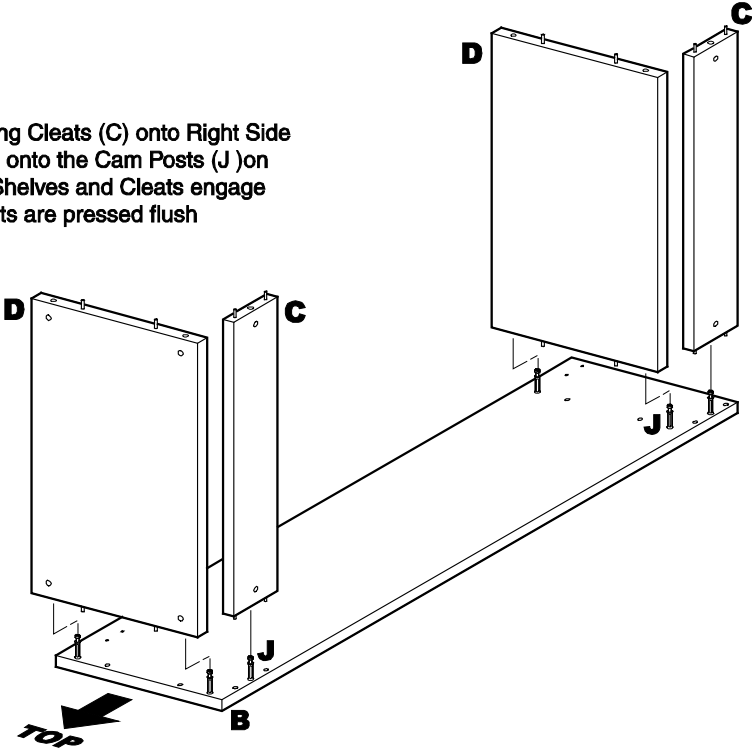
IMPORTANT NOTES

Install Set Shelves (D) with finished edges facing forward (toward front of unit).

Install Rear Hanging Cleats (C) with holes for Cam Locks facing the rear of the unit and the unfinished edge against the Set Shelf (D).

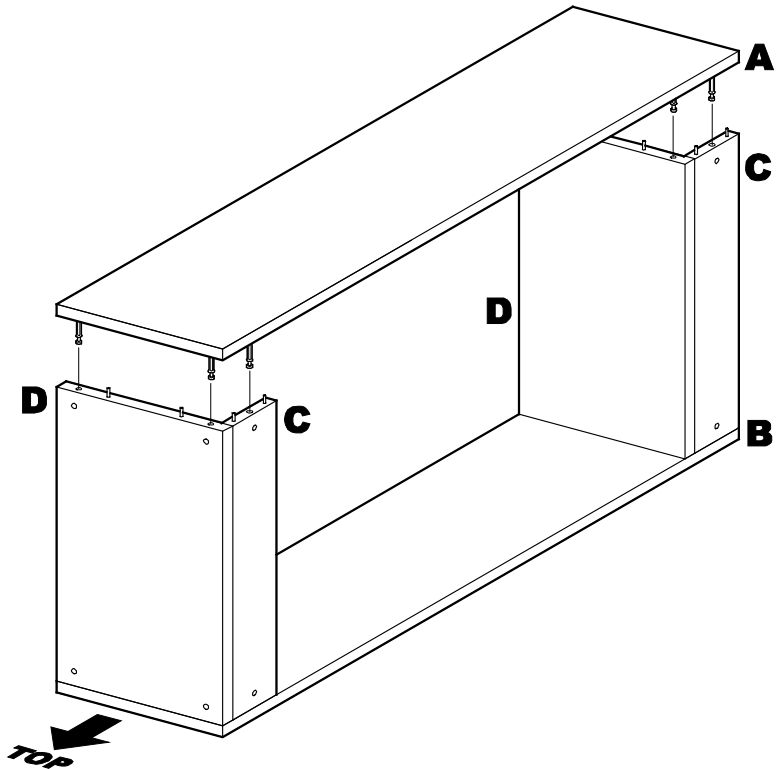
Install upper Set Shelf (D) with holes for Cam Locks facing the top of the unit.

Install lower Set Shelf (D) with holes for Cam Locks facing the bottom of the unit.



4

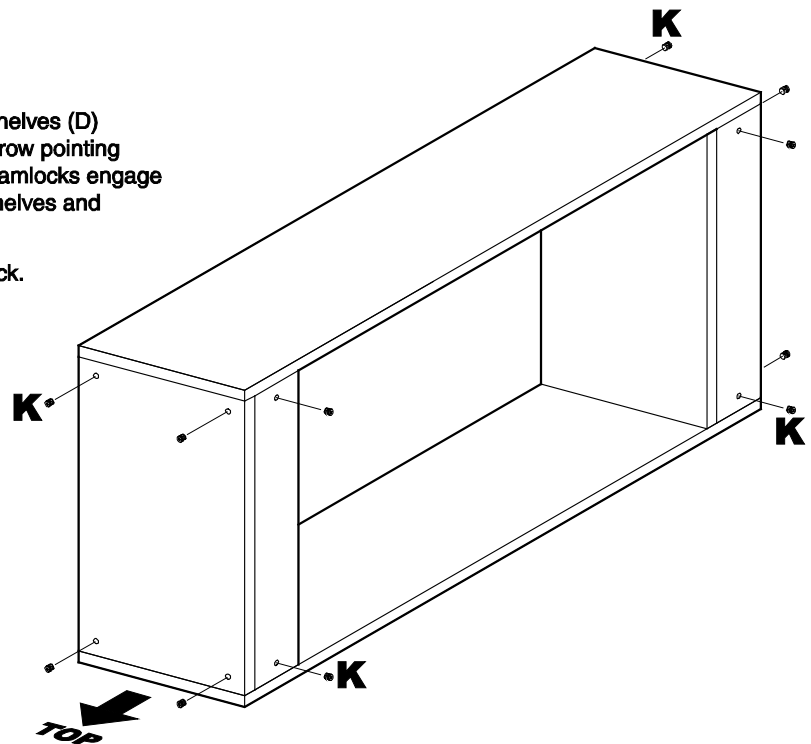
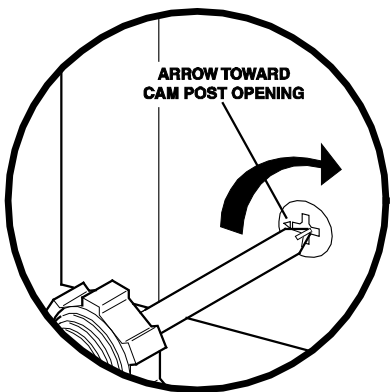
3.1 Install Left Side Panel (A) onto assembled Set Shelves (D) and Rear Hanging Cleats (C). BE SURE dowel pins in Shelves and Cleats engage drilled holes in Left Side Panel, and Left Side Panel is pressed flush against Set Shelves and Cleats.



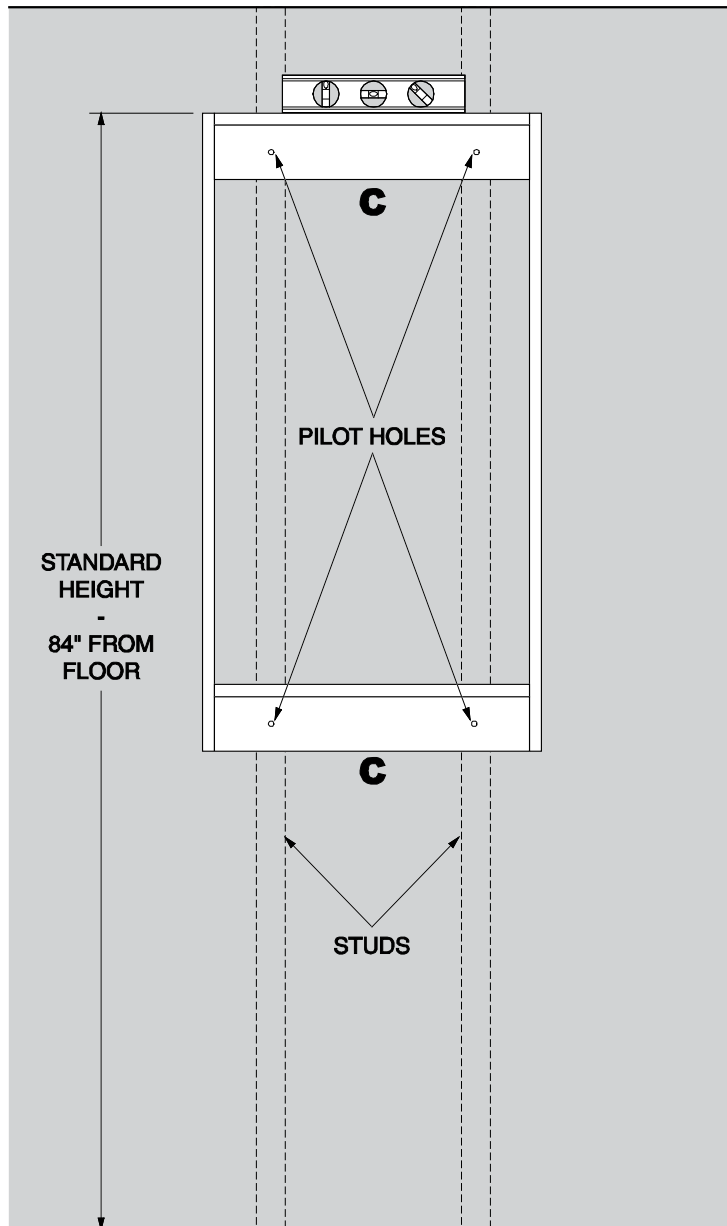
5

5.1 Insert Camlocks (K) in holes in Set Shelves (D) and Rear Hanging Cleats (C), with arrow pointing toward Cam Post opening. Be sure Camlocks engage Cam Posts, and are fully seated in Shelves and Cleats.

5.2 Tighten Camlocks (K) clockwise to lock.



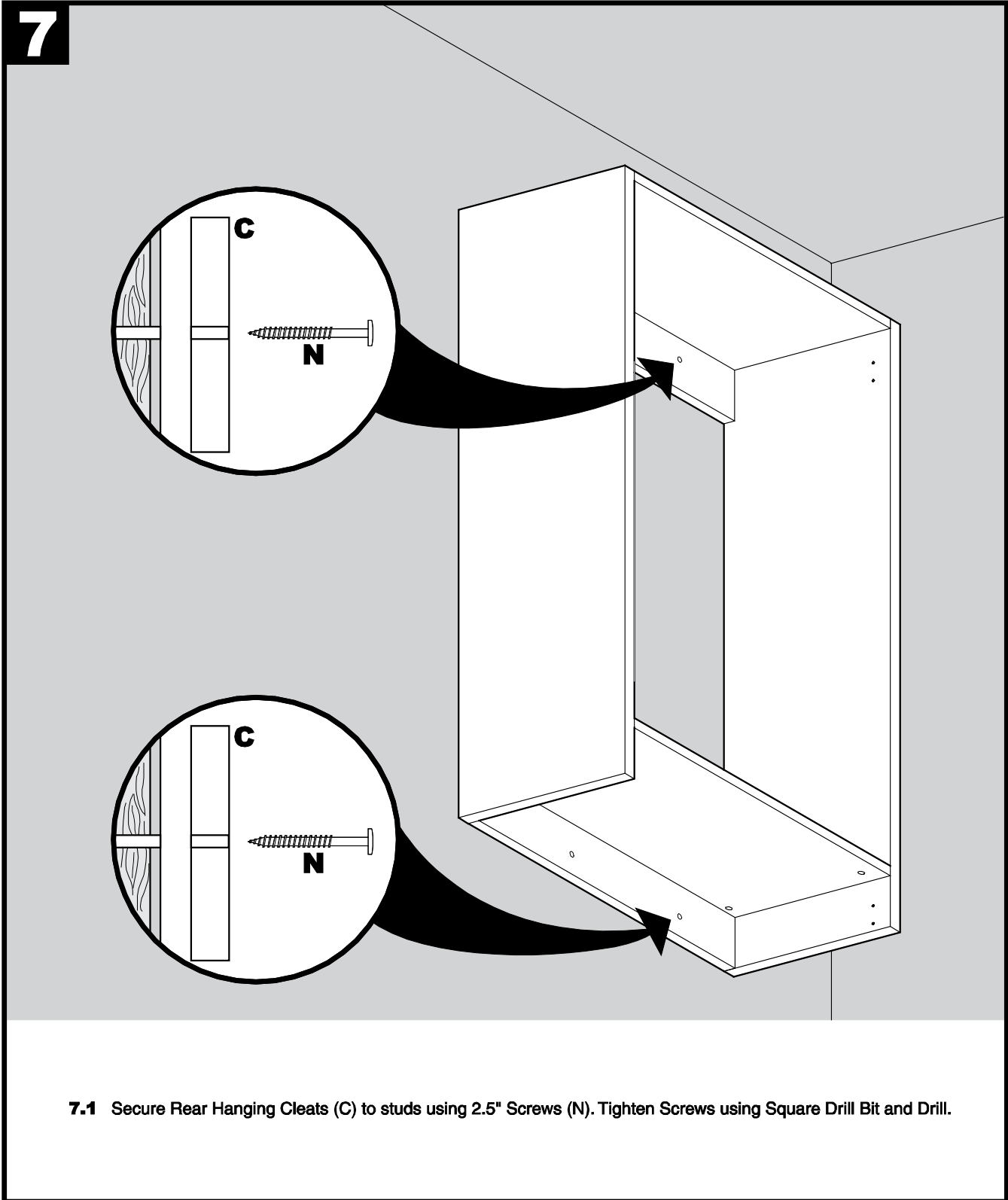
6



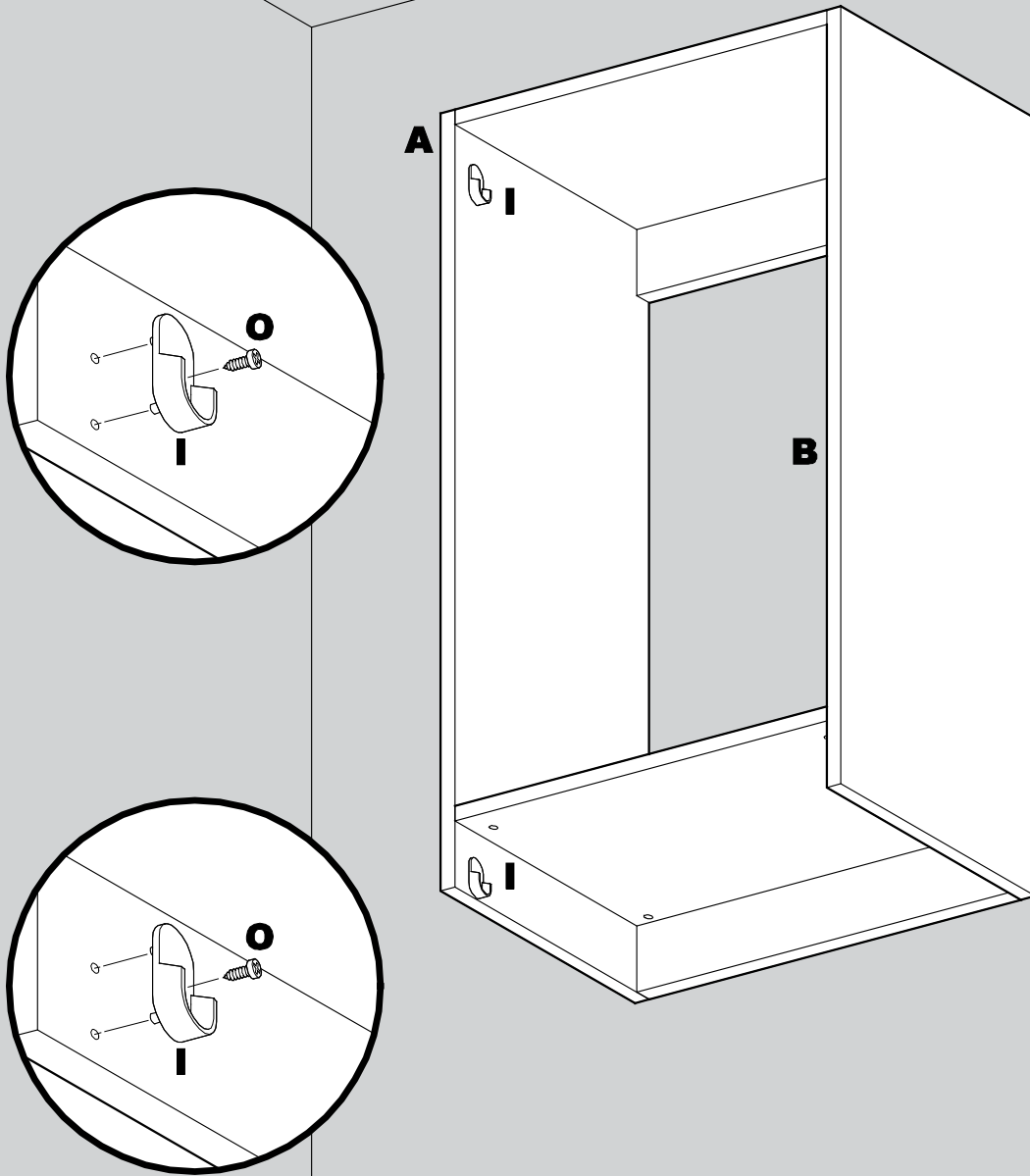
INSTALLATION

- 6.1** Determine the mounting location for the unit.
- 6.2** Using a stud finder, locate studs to which the unit will be secured. Mark stud locations with a pencil.
- 6.3** With the unit positioned at the desired location, level the unit, then drill pilot holes through Rear Hanging Cleats (C),

NOTE: For units under 25-1/2 inches wide, it is likely that only one stud will pass through the unit. In these cases, use two screws through each Rear Hanging Cleat.

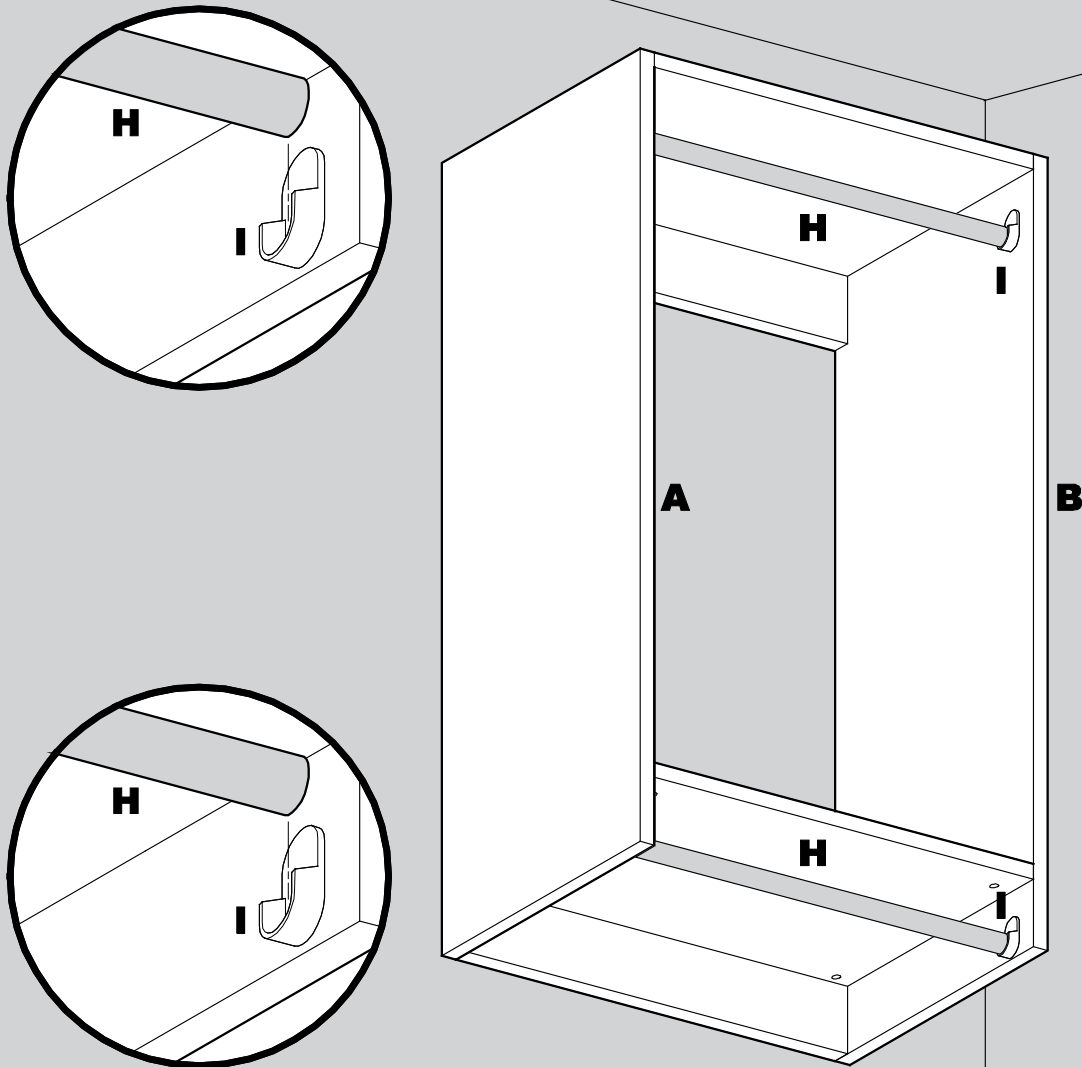


8



8.1 Install two Rod Brackets (I) on Left Side Panel (A) and Right Side Panel (B) and secure each Bracket with one screw (O).

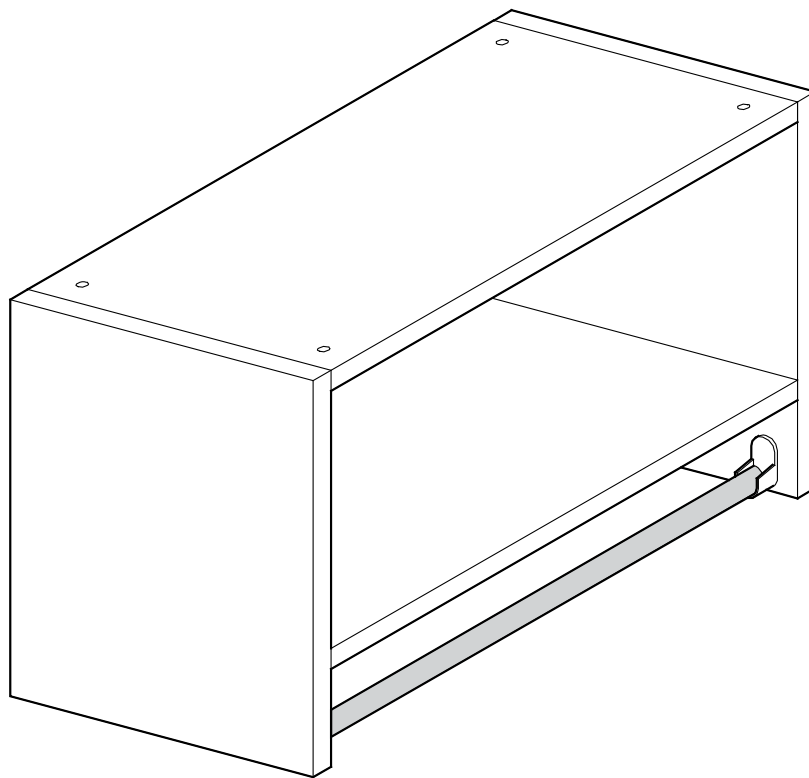
9



NOTE: Use care when installing Hanging Rods (H) to avoid scratching finish inside unit.

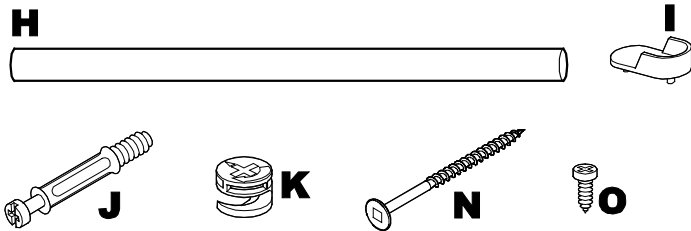
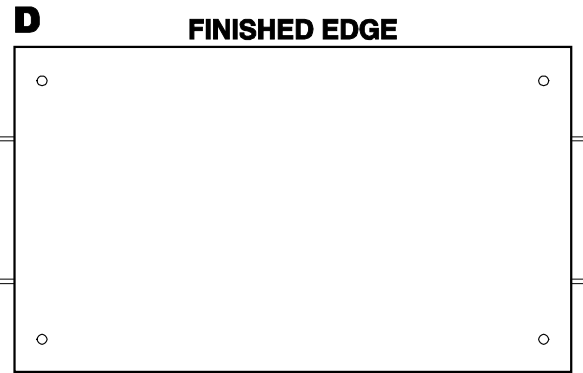
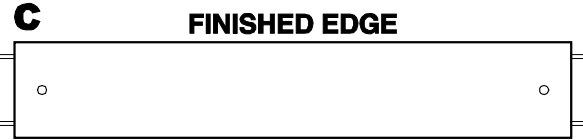
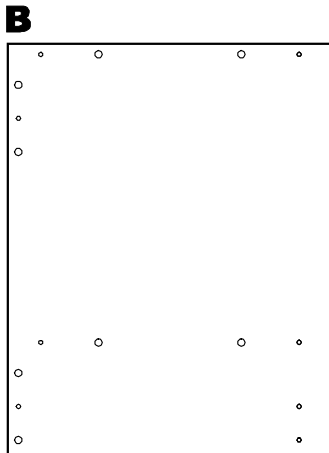
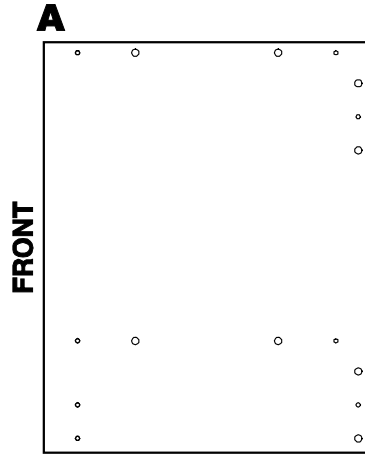
9.1 Lower each Hanging Rod (H) into Rod Brackets (I) on Left Side Panel (A) and Right Side Panel (B).

Tall Hanging Unit



1A

PARTS LIST



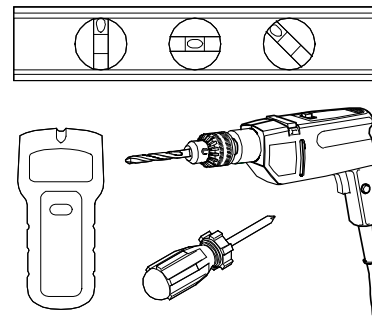
- | | |
|-------------------------------------|--|
| A Left Side Panel | J Cam Post (Qty 12) |
| B Right Side Panel | K Camlock (Qty 12) |
| C Rear Hanging Cleat (Qty 2) | N Screw, Square Drive, 2.5" (Qty 4) |
| D Set Shelf (Qty 2) | O Screw, 5/8" (Qty 2) |
| H Hanging Rod | |
| I Rod Bracket (Qty 2) | |

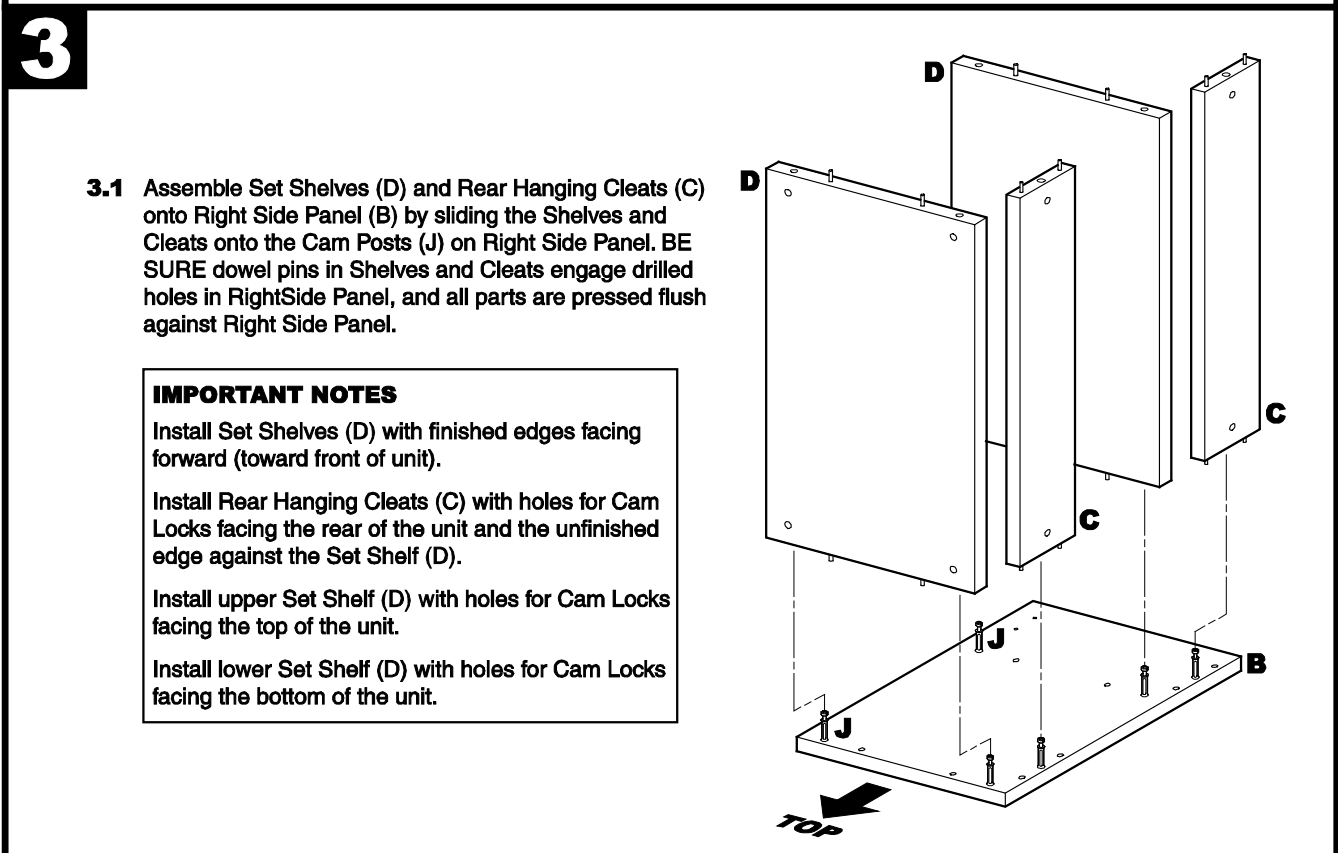
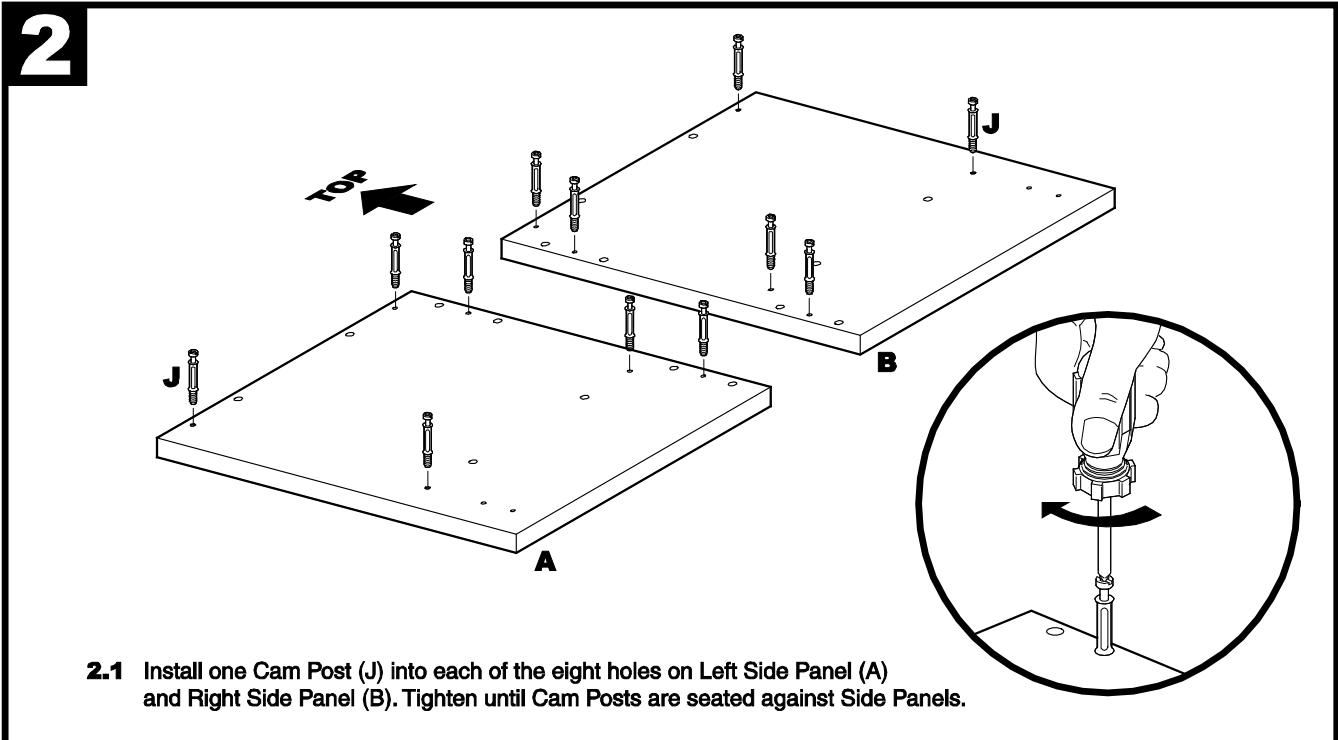
1B

- 1.1** Lay parts out on a protective surface to prevent damage. *Tip: Spread out the cardboard packaging to use as a protective surface.*
- 1.2** Inventory parts against the Parts List. Make sure all parts are present before proceeding.

TOOLS REQUIRED (not included unless noted)

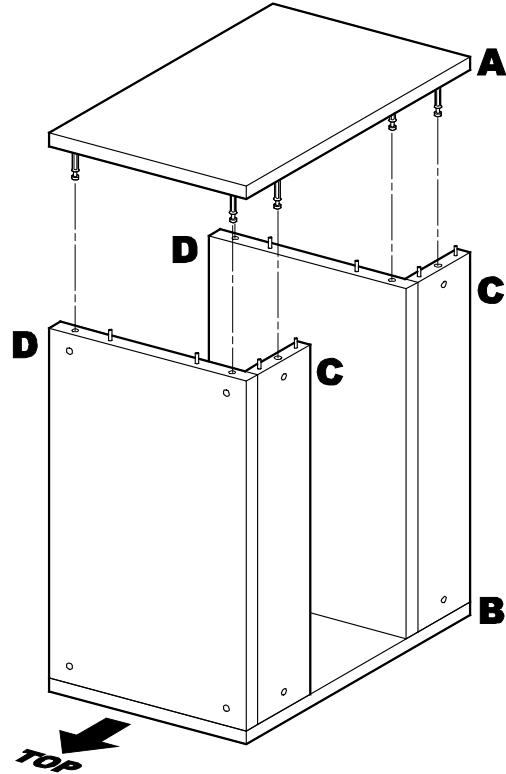
- Level
- Stud Finder
- Drill, 3/32" bit size
- Phillips Screwdriver
- Drill Bit, Square #2





4

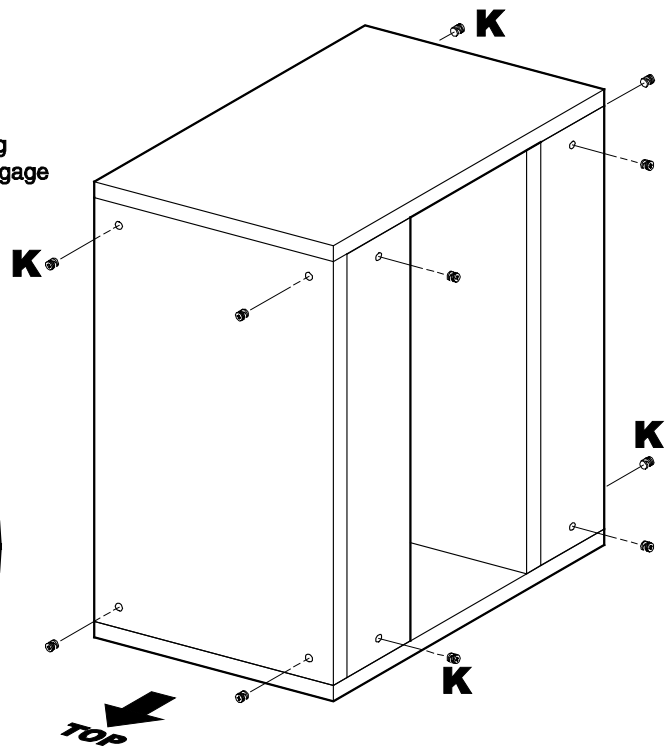
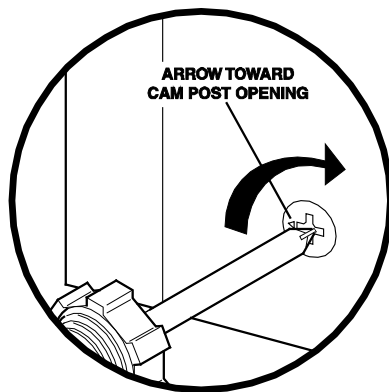
3.1 Install Left Side Panel (A) onto assembled Set Shelves (D) and Rear Hanging Cleats (C). BE SURE dowel pins in Shelves and Cleats engage drilled holes in Left Side Panel, and Left Side Panel is pressed flush against Set Shelves and Cleats.



5

5.1 Insert Camlocks (K) in holes in Set Shelves (C) and Rear Hanging Cleats (D), with arrow pointing toward Cam Post opening. Be sure Camlocks engage Cam Posts, and are fully seated in Shelves and Cleats.

5.2 Tighten Camlocks (K) clockwise to lock.

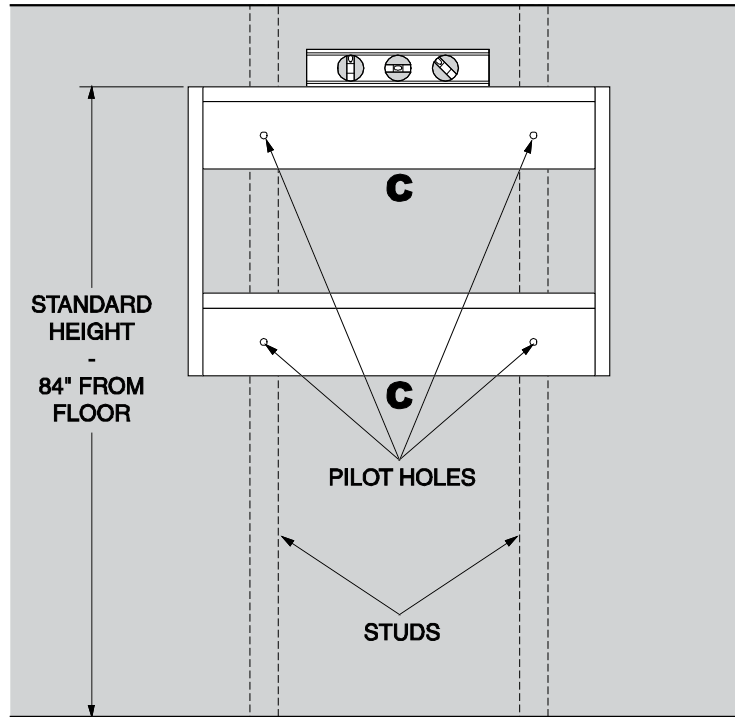


6

INSTALLATION

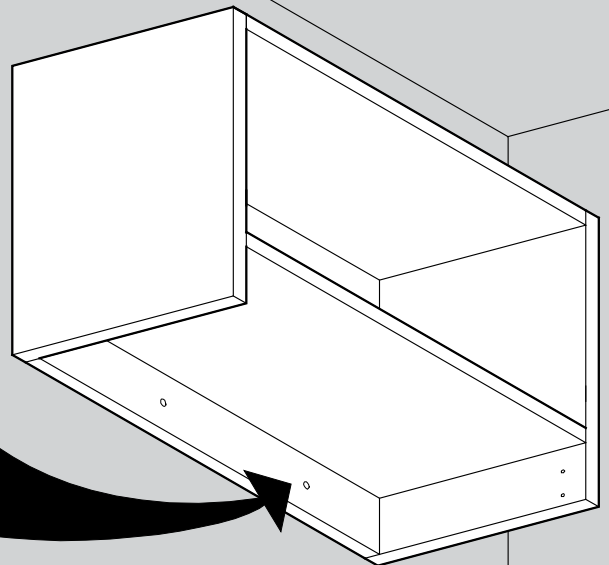
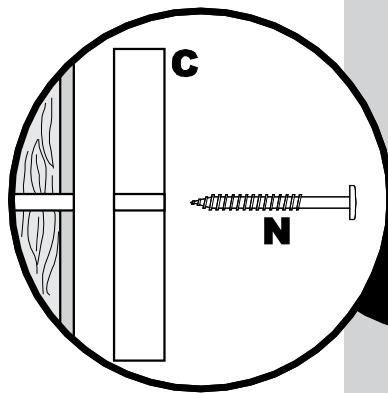
- 6.1** Determine the mounting location for the unit.
- 6.2** Using a stud finder, locate studs to which the unit will be secured. Mark stud locations with a pencil.
- 6.3** With the unit positioned at the desired location, level the unit, then drill pilot holes through Rear Hanging Cleats (C),

NOTE: For units under 25-1/2 inches wide, it is likely that only one stud will pass through the unit. In these cases, use two screws through each Rear Hanging Cleat.



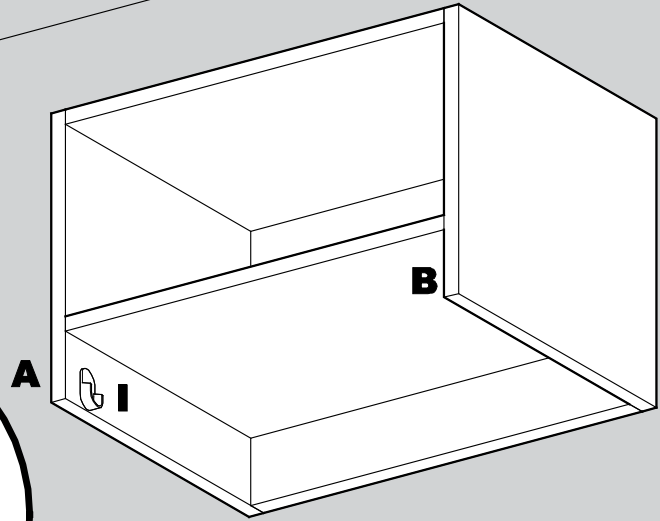
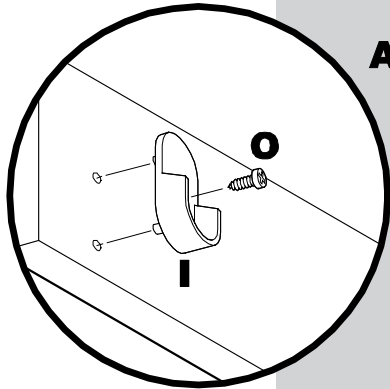
7

- 7.1** Secure Rear Hanging Cleats (C) to studs using 2.5" Screws (N). Tighten Screws using Square Drill Bit (provided) and Drill.



8

8.1 Install one Rod Bracket (I) on Left Side Panel (A) and Right Side Panel (B) and secure each Bracket with one screw (O).



9

NOTE: Use care when installing Hanging Rod (H) to avoid scratching finish inside unit.

9.1 Lower Hanging Rod (H) into Rod Brackets (I) on Left Side Panel (A) and Right Side Panel (B).

