

# SFFvh 5501

Laboratory freezer with convection cooling

Perfection



**LIEBHERR**

Freestanding

**LIEBHERR**

# SFFvh 5501

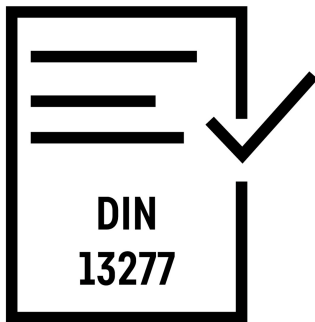
Laboratory freezer with convection cooling  
Perfection



Gross/net capacity	472/257 l
Ext. dimensions in mm (w/d/h)	747/769/1793
Int. dimensions in mm (w/d/h)	603/510/1118
Energy consumption in 365 days	540 kWh
Ambient temperature range	+10 °C to +35 °C
Heat output	725
Refrigerant	R 290
Frequency / voltage	50 Hz / 220-240 V~
Cooling system	forced-air
Defrosting	automatic
Temperature range	-9 °C to -35 °C
Gradient / max. fluctuation	5.5 °C / 4.4 °C
Housing material/colour	steel / white
Door material	steel
Liner Material	commercial grade moulded polystyrol
Type of Control	2.4" touch & swipe colour display
Alarm in case of malfunction	visual and audible
Power failure alarm	immediately upon power failure for at least 12 hrs
volt-free alarm contact	yes
Interface	WLAN/LAN
Data logger	USB interface
Interior light	LED
Adjustable Shelving	4
Shelf material	wire shelves plastic-coated
Usable shelf area in mm (w / d)	600 / 510
Shelf loading	60 kg
Maximum total load	300 kg
Drawers	6
Number of baskets	2
Castors	castors with brake at the front, fixed castors at the rear
Handle	Antimicrobial handle with opening mechanism
Access ports	1 x Ø 10
Type of lock	mechanical
Door hinges	right, reversible on site
Gross/net weight	113/104 kg
EAN-Nr.	9005382246511

## Features

---



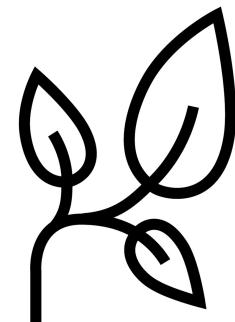
### DIN 13277 compliant

Laboratory and pharmacy refrigerators from Liebherr meet all the necessary features and performance criteria to fully comply with DIN 13277. DIN 13277 defines the requirements and test specifications for refrigerators and freezers used in laboratories and for storing medicinal products.



### Easy to clean interior

The plastic inside container is made of polystyrene: a fully recyclable, robust, and odourless plastic. Manufactured seamlessly from one piece, it has no hidden dirt traps and the large corner radii can be cleaned quickly and easily. The perfect combination of sustainability and hygiene.



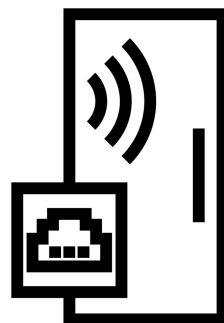
### Ultraefficient

Energy-efficient refrigerators and freezers help with ever increasing electricity prices. Liebherr fully utilises the savings potential of every component – from the compressor to the seal, to the lighting and electronics. The ultra-efficient appliances in the Perfection series for example demonstrates how this has a positive effect on your overall operating costs.



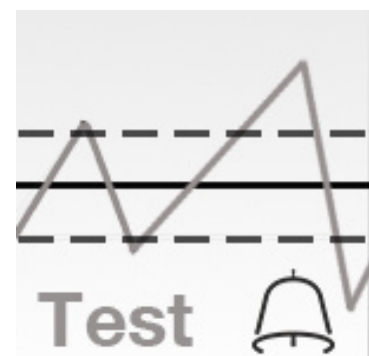
### NoFrost technology

With professional laboratory appliances from Liebherr, defrosting is no longer necessary. Any moisture that occurs is bound by the fan-assisted cooling, and needs-based defrosting phases drive even the last moisture particles out of the interior. For convenient, safe, and ice-free storage.



### Integrated WiFi/LAN interface

Connect and go: The appliance can be easily networked with external systems, such as SmartMonitoring from Liebherr via the integrated WiFi and LAN interface. Thanks to the digital monitoring solution, the storage temperature is controlled and documented via the interface in an effortless, safe, and convenient way.



### Alarm test function

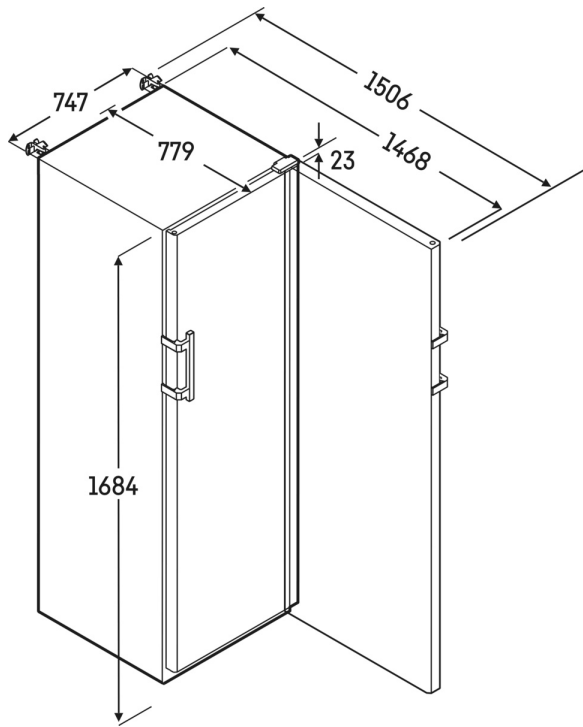
This test function can be used to check whether an internally or externally connected alarm system is functioning correctly. The appliance's refrigeration performance is not affected by this test.

Freestanding SFFvh 5501

**LIEBHERR**

# Technical drawing

---



---

Products and their details are staged for advertising purposes. Whilst every effort is made to ensure all specifications and information in this flyer are accurate, Liebherr reserves the right to make changes without notification. Where actual appliance measurements, specifications, and ratings are crucial, we recommend that the actual appliance installation instructions that accompany each appliance be checked. (29.11.2023)



[home.liebherr.com](https://www.home.liebherr.com)