

# Operating instructions

Freezer

Read the operating instructions before switching on for the first time



**7082 261-01**

LGPv



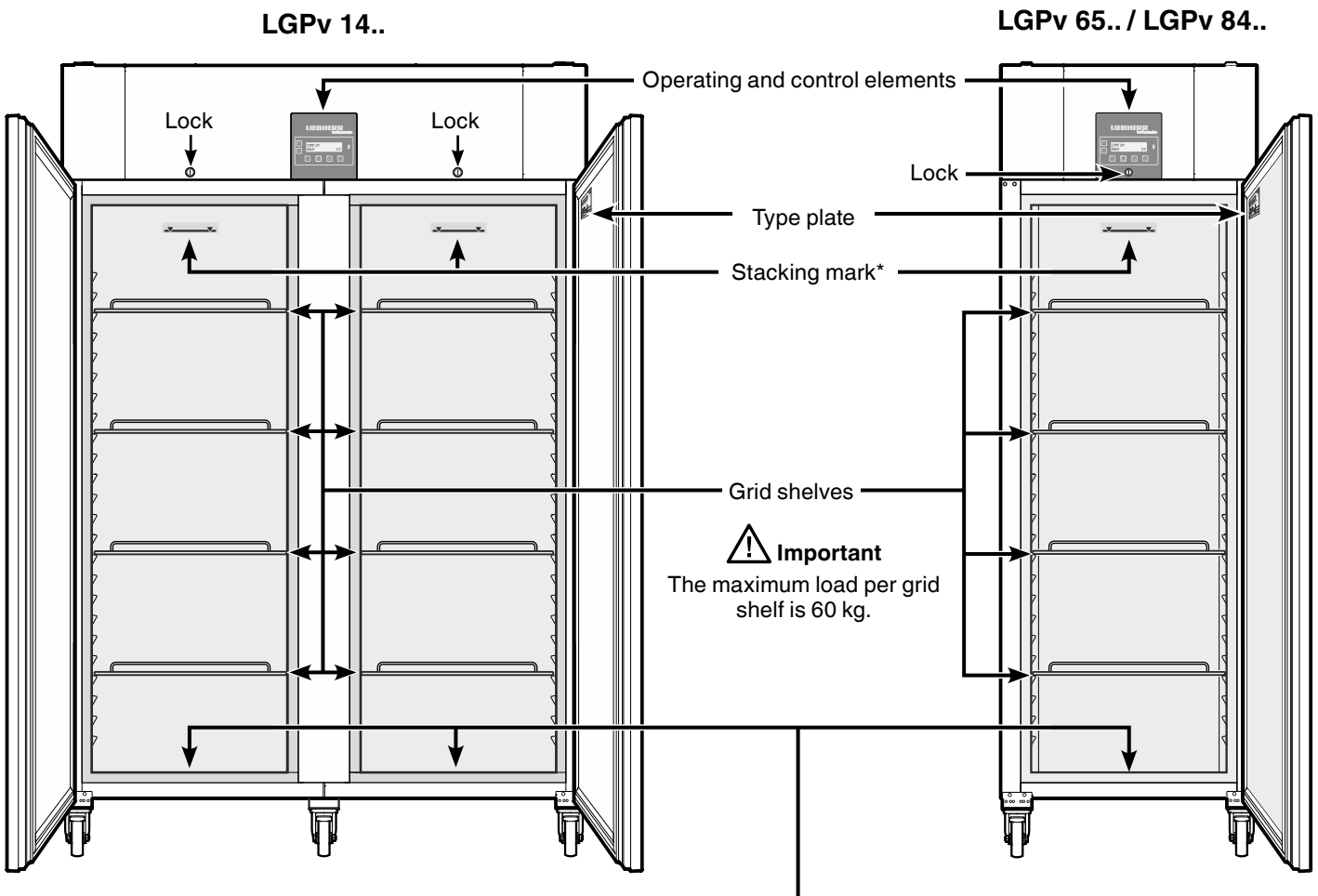
Distributed by:  
AMA Medical Products  
amamedicalproducts.com.au  
sales@amamedicalproducts.com.au  
1800 626 292

# LIEBHERR

## Content

Description of the appliance.....	16	Main menu.....	21
Safety instructions and warnings .....	17	Menu 01 Setpoint = setting the temperature .....	21
Range of appliance use.....	18	Menu 03 Defrosting = activating the defrost function manually .....	22
Climate rating .....	18	Menu 04 Programs = resetting the temperature to the default setting.....	22
Appliance dimensions .....	18	Menu 05 Alarm = list of alarms .....	22
Setting up .....	18	External alarm .....	23
Electrical connection.....	18	Menu 06 Settings = settings on the control electronics .....	23
Equipment .....	19	Product sensor (available accessory) .....	25
Back-up battery .....	19	Product sensor settings .....	26
Operating and control elements.....	20	Cleaning .....	27
Switching the appliance on and off .....	20	Malfunctions.....	27
Battery charge indicator .....	20	Shutting your appliance down.....	27
Set button.....	20	Changing over door hinges LGPv 65.. / 84.....	28
Keypad lock.....	20		
Setting the language .....	21		

## Description of the appliance



\* Stacking mark →

Only load the top shelf up to the stacking mark.

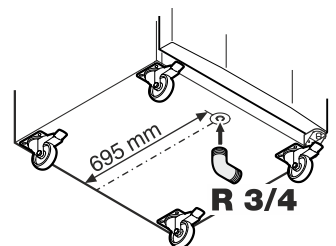
This is important so as to ensure that the air can circulate properly and the temperature is even throughout the interior.

### Cleaning water drain opening

A drain hose with an R 3/4 connection can be fitted to the underside of the appliance.

The water which collects in the interior during cleaning can be drained off in this way.

An angled connector is supplied with the appliance.



## Safety instructions and warnings

- To prevent injury or damage to the unit, the appliance should be unpacked and set up by two people.
- In the event that the appliance is damaged on delivery, contact the supplier immediately before connecting to the mains.
- To guarantee safe operation, ensure that the appliance is set up and connected as described in these operating instructions.
- Disconnect the appliance from the mains if any fault occurs. Pull out the plug, switch off or remove the fuse.
- When disconnecting the appliance, pull on the plug, not on the cable.
- Any repairs and work on the appliance should only be carried out by the customer service department, as unauthorised work could prove highly dangerous for the user. The same applies to changing the mains power cable.
- Do not allow naked flames or ignition sources to enter the appliance. When transporting and cleaning the appliance, ensure that the refrigerant circuit is not damaged. In the event of damage, make sure that there are no ignition sources nearby and keep the room well ventilated.
- Do not stand on the plinth, drawers or doors or use them to support anything else.
- This appliance can be used by children of 8 years old and over, and also by persons with restricted physical, sensory or mental capacity or lack of experience and knowledge, if they are supervised or have been instructed on safe use of the appliance and understand the resulting risks. Children must not be allowed to play with the appliance. Cleaning and user maintenance must not be carried out by children without supervision.
- Avoid prolonged skin contact with cold surfaces or chilled/frozen food. This could cause pain, numbness and frostbite. In the case of prolonged skin contact, protective measures should be taken, e.g. gloves should be worn.
- Do not consume food which has been stored for too long, as it could cause food poisoning.
- Do not store explosives or sprays using combustible propellants such as butane, propane, pentane, etc. in the appliance. Electrical components might cause leaking gas to ignite. You may identify such sprays by the printed contents or a flame symbol.
- Do not use electrical appliances inside the appliance.
- If you have a lockable appliance, do not keep the key near the appliance or within reach of children.
- The appliance is designed for use in enclosed areas. Do not operate the appliance outdoors or in areas where it is exposed to splash water or damp conditions.
- Do not install the appliance in the immediate vicinity of an air-conditioning unit. The appliance should also not be operated under a wall-mounted air-conditioning unit.
- The appliance is **not** suitable for storing drugs pursuant to DIN 58345.
- The appliance is **not** suitable for storing blood bottles pursuant to DIN 58371.
- The appliance is **not** suitable for storing blood plasma pursuant to DIN 58375.
- In special fields of application which are subject to their own standard, the user is responsible for complying with this standard.

## Noise emissions from the appliance

The noise level while the appliance is operating is below 70 dB(A) (relative noise level 1 pW).



Distributed by:  
 AMA Medical Products  
 amamedicalproducts.com.au  
 sales@amamedicalproducts.com.au  
 1800 626 292

## Range of appliance use

The appliance is suitable for storing and cooling laboratory preparations at temperatures of between -10°C and -35°C (LGPv 6520, 8420), -10°C and -26°C (LGPv 1420).

The appliance is **not** suitable for use in explosion-hazard areas.

For the storage of valuable or temperature-sensitive substances or products the use of an independent, constantly monitoring alarm system is necessary.

This alarm system must be designed so that each alarm status is detected immediately by an authorised person who can then take appropriate action.

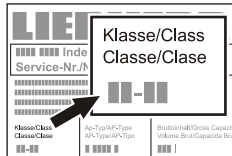
Position the temperature sensor for this system in the upper part of the interior container.

## Climate rating

The climate rating indicates the room temperature at which the appliance may be operated in order to achieve full refrigeration performance.

The climate rating is indicated on the type plate.

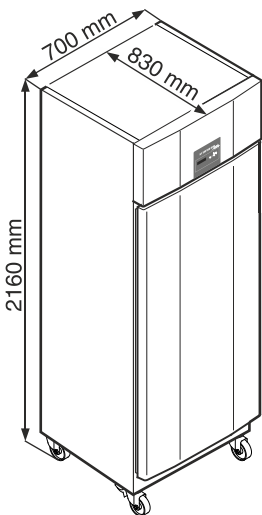
The position of the type plate is shown in the section entitled **Description of the appliance**.



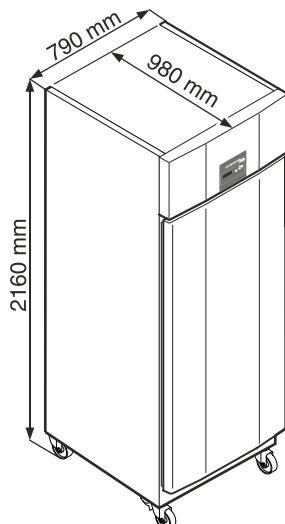
Climate rating	Room temperature
4 (SN)	+10°C to +32°C
4 (N)	+16°C to +32°C
4+ (ST)	+16°C to +38°C
4+ (SN-ST)	+10°C to +38°C
5 (T)	+16°C to +43°C
5 (SN-T)	+10°C to +43°C

**Do not operate the appliance outside the specified room temperature range.**

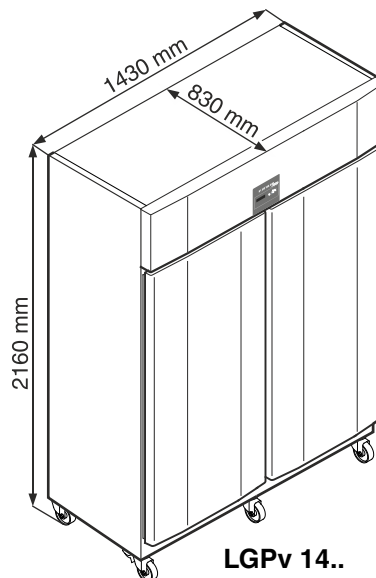
## Appliance dimensions



LGPv 65..



LGPv 84..

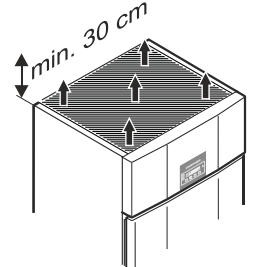


LGPv 14..

## Setting up

- Avoid positioning the appliance in direct sunlight or near cookers, radiators and similar sources of heat.
- The floor on which the appliance stands should be horizontal and level.
- Standard EN 378 specifies that the room in which you install your appliance must have a volume of 1 m<sup>3</sup> per 8 g of R 290a refrigerant used in the appliance, so as to avoid the formation of inflammable gas/air mixtures in the room where the appliance is located in the event of a leak in the refrigerant circuit. The quantity of refrigerant used in your appliance is indicated on the type plate on the inside of the appliance.
- There must be a gap of at least 30 cm between the upper edge of the appliance and the ceiling.

Do not cover ventilation openings or grille. →



## Electrical connection

Only operate the appliance with **alternating current (AC)**.

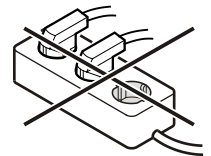
The permissible voltage and frequency are indicated on the type plate. The position of the type plate is shown in the section entitled **Description of the appliance**.

The socket must be properly earthed and protected by a fuse.

The tripping current of the fuse must be between 10 A and 16 A.

**The socket must not be situated behind the appliance and must be easily accessible.**

Do not connect the appliance using an extension cable or extension socket.

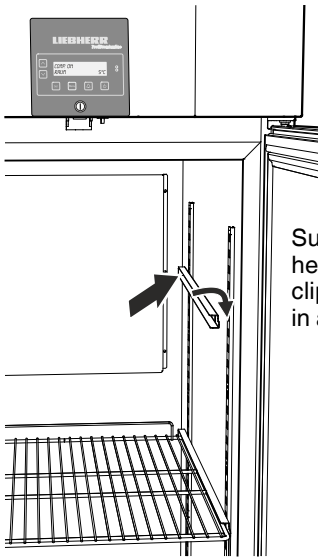


Do not use stand-alone inverters (conversion of direct current to alternating/three-phase current) or energy-saving plugs. Risk of damage to the electronic control system!



Distributed by:  
AMA Medical Products  
amamedicalproducts.com.au  
sales@amamedicalproducts.com.au  
1800 626 292

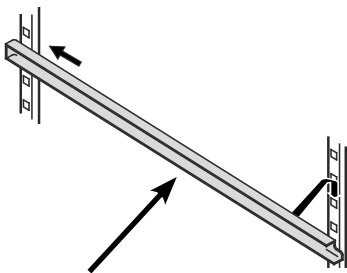
## Equipment



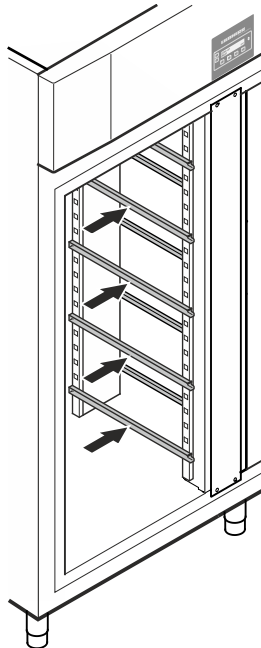
Suspend the rails at the desired height, by inserting into the rear clip-in strip first and then clipping in at the front.

## LGPv 1490 equipment

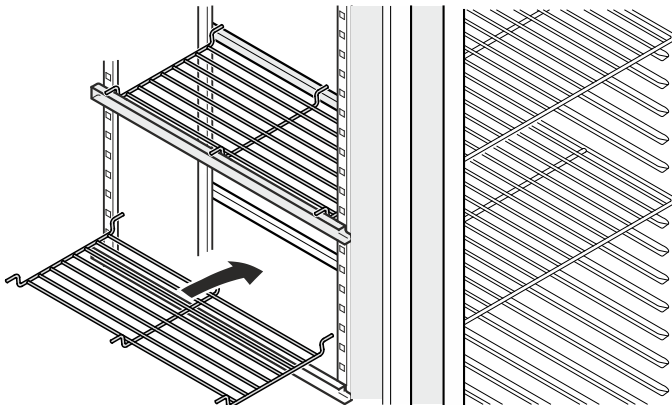
Fit the supplied shelf rails to the right and left of the vertical bar.



Suspend the rails at the desired height, by inserting into the rear clip-in strip first and then clipping in at the front.



## Intermediate shelves



Place the supplied intermediate shelves onto the shelf rails.

### Note

The maximum load per intermediate shelf is 20 kg.

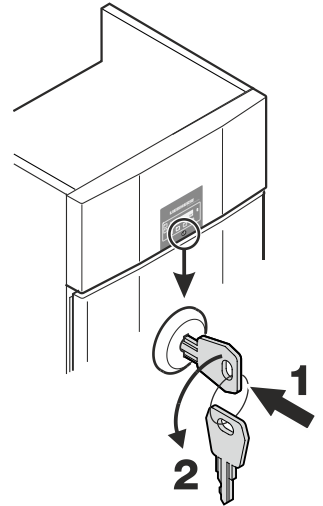
## Safety lock

The lock is equipped with a safety mechanism.

### Locking the appliance

- Insert the key as shown by arrow 1.
- Turn the key 180° (2).

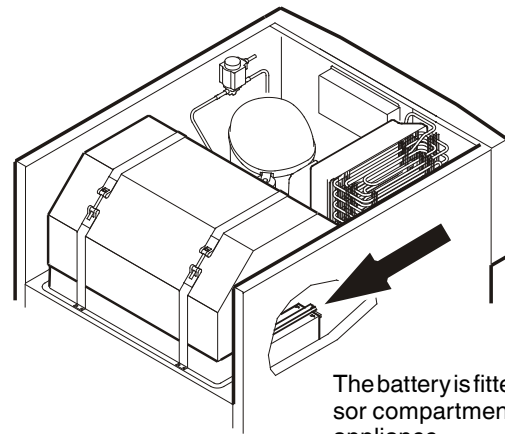
To unlock the appliance, the same procedure must be repeated in the same order.



## Back-up battery

Before the appliance is switched on, the battery which is fitted in the compressor compartment must be connected.

This battery ensures that alarms are always reported, even in the event of a power failure.

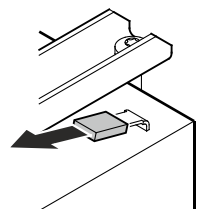


The battery is fitted in the compressor compartment at the top of the appliance.

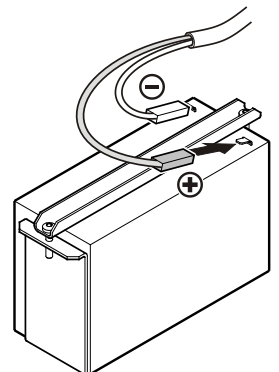
### Important!

The appliance must not be connected to the electrical power supply yet.

Remove cover.



Plug the connector onto the positive pole on the battery.



### Disposal instructions for batteries

The battery must be removed when you wish to dispose of the appliance and sent for separate waste treatment for batteries.

Do not damage or short circuit the battery.



Distributed by:  
AMA Medical Products  
amamedicalproducts.com.au  
sales@amamedicalproducts.com.au  
1800 626 292