

borg&
overström



Distinctive
by design.

t1

borg&
overström

Advanced performance. Minimalist design.

The T1 is the ideal solution for busy workplaces where space may be at a premium. With advanced dispensing features packaged in a minimal and contemporary design, the T1 will complement even the smallest communal area or kitchenette.



Distinctive
by design.

borg& overström

High-capacity dispensing

The T1 eliminates the need for single-use plastic bottles with high-capacity dispensing. It delivers 50 litres per hour of chilled, ambient, and sparkling drinking water, making refilling reusable vessels such as drinking bottles fast and convenient.

Cutting-edge UV protection

As an option, the T1 can be pre-fitted with Viovand[®], a mercury-free, chemical-free and energy-efficient LED-UV water purification system. For complete peace of mind, it also includes additional hygiene features via Borg & Overström's Totality[®] methodology.

Next-generation ProCore™

Under the counter is a compact powerhouse. ProCore™ is a low-maintenance next-generation water dispensing system. In addition to being energy-efficient, it's fitted with the new eco R290 refrigerant gas.

Plug and play installation

There are no fiddly wires to connect with the T1. The plug and play USB 3 connector makes this tap super easy to install.

Countertop convenience

This integrated tap system can be positioned over a sink or combined with a stylish circular drip tray which complements the design of the tap. The drip tray can either be plumbed into mains waste or used with the Borg & Overström alarmed waste kit.

Minimal yet durable design

Beneath the minimalist, contemporary exterior lies an innovative water dispensing system built for durability and efficiency. The tap is PVD coated for a high-end yet durable finish, while the undercounter cabinet is colour-coated GreenCoat[®] steel.

Low energy consumption

The T1 is consistently energy efficient, making it both economical and eco-friendly. This dynamic integrated tap system is lean and economical, with absolutely no sacrifice to output and quality.

Ventilation kit included

A ventilation kit is included with this system. It's easy to install and increases the efficiency of the ProCore™ by allowing a continuous cycle of cool air.



Distinctive
by design.

borg& overström

Water system



Dry Chill®

Configurations



Integrated Tap

Water options



Chilled



Ambient



Sparkling

Tap finishes



Steel



Black

borgandoverstrom.com



Distinctive
by design.

t1

Totality® - Hygiene-assured refreshment



Totality® is our assurance that water dispensed from a Borg & Overström water dispenser is as safe as it is refreshing. Water dispensers with a six-star Totality® rating deliver an exceptionally high standard of hygiene.



Digital precision

The discreet digital touch panel has an antimicrobial coating for a reassuringly clean experience. Chilled, sparkling, or ambient water can also be dispensed touch-free via the Bluetooth® app.



Advanced UV-led protection.

As an option, the T1 can be fitted with Viovandt®, a mercury-free, chemical-free and energy-efficient LED-UV water purification system. For complete peace of mind, it also includes additional hygiene features via Borg & Overström's Totality® methodology.



Sealed drinking water system.

Dry Chill® is the most hygienic cooling process. No water is stored within the system, which greatly reduces the opportunity for bacteria to become established. Dry Chill® also produces a larger volume of lower temperature water due to its faster recovery time.



Independently certified anti-microbial, antipathogen sanitising procedure.

All dispensers are sterilised using Sterizen® sanitising infusion. No other brand of watercooler goes through this process, which is why only Borg & Overström appliances are laboratory certified to be 99.999% bacteria reduced.

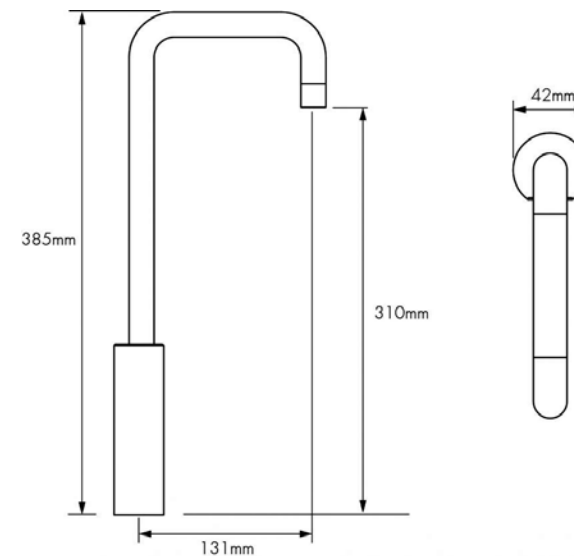
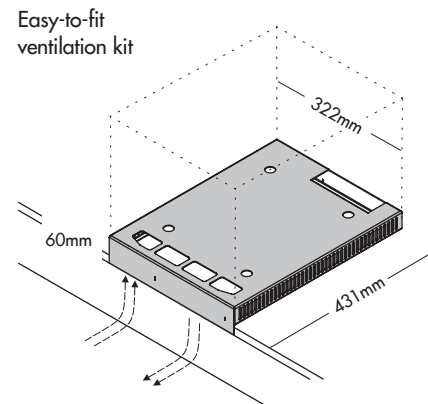


High-performing, easy to fit carbon filters.

3M carbon filters provide the highest level of water hygiene security for your dispenser over a longer period of time. All Borg & Overström water dispensers can be fitted with 3M carbon filters.

Distinctive
by design.

Specifications	T1 ProCore	Dispense options	Max power consumption	Steel	Black	Steel ECO-UV	Black ECO-UV
Tap dimensions W42xD163xH385mm	Power requirements Hertz 50/Volts 230-240	Chilled & Ambient	140W	741010	741000	741030	741020
Dispense height 310mm	Water system Dry Chill®	Chilled & Sparkling	200W	741050	741040	741070	741060
ProCore™ dimensions W320xD375xH335mm	Chilled temperature Min 2°C/Max 11°C	Chilled, Sparkling & Ambient	200W	741090	741080	741110	741100
Simple-fit Ventilation Base W322xD431xH60mm (Includes 20mm overhang)	Throughput flow rate 50 litres per hour (LPH) 60 500ml bottles per hour (BPH)						



Distinctive
by design.

Additions for T1



Biodegradable paper cups
Environmentally-friendly disposable cups designed to fit Borg & Overström cup dispensers perfectly.



Personal drinking bottles
500ml capacity in black. Comes with quick-release leak-proof cap and carry strap.



500/750ml glass bottles
Suitable for dishwashers and bottlewashers. Both sizes are a perfect fit for the T1 tap. Stylish swing-top lid.



Deep Sparkle® CO² refills
Can be disposed via standard steel recycling or general waste. Requires CO² regulator with gauge.



Sanitisation kit
Six monthly sanitising cycles ensure appliances function at the optimum hygiene levels.



Alarmed waste kit
Featuring an audible high-water level alarm to prevent the waste tank from overflowing.



Install kit with 3M filter
Install appliances simply and effectively in a wide range of applications. Complete with a 3M filter.



T1 Drip tray
The T1 drip tray is available in a steel and black finish. It can either be plumbed into mains waste or used with the alarmed waste kit.



Water refill station
The refill station comes complete with a lockable spacious storage area. This heavy duty cabinet is constructed from black coated steel with a stainless steel top.

Distinctive
by design.



Book a personal demonstration of the T1

Talk to an adviser

+44 (0) 1362 695 006

sales@borgandoverstrom.com