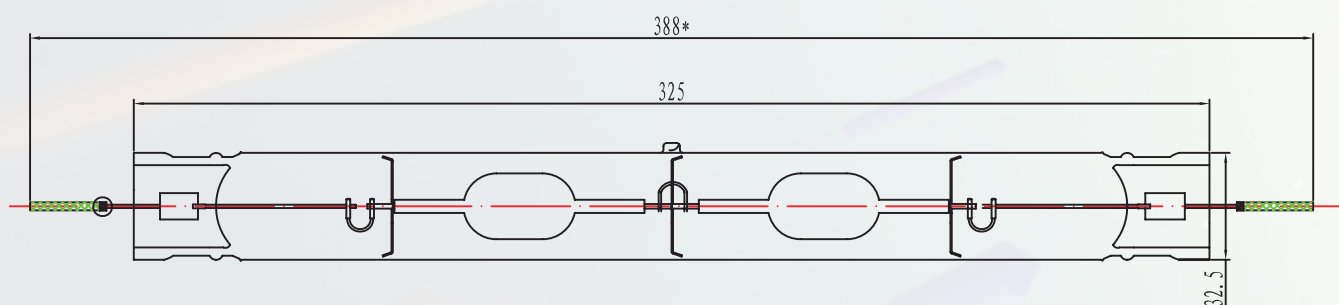


Grower's Choice 3K 1000W DE CMH Lamp

Introducing the industry's first Double Ended Ceramic Metal Halide Lamp. Grower's Choice DE CMH Lamp acts as a conversion Lamp for any Double Ended fixture, instantly converting it to a CMH fixture. Growers thinking about upgrading to CMH can simply use a Grower's Choice CMH Lamp in their existing 1000W DE fixture. Grower's Choice CMH Lamp offer a significant improvement in light output and spectral quality over traditional lighting sources.

Features:

- Upgrades your standard DE fixture to an CMH fixture to instantly increase yield per watt
- Produces more PAR per watt than HPS
- Richest spectrum flowering lamp on the market with a CRI of 90
- Optimal for flowering but can be used for Veg as well
- Promotes higher rate of metabolic activity and resin production through the use of UV and Far-red spectra



3K 1000W DE CMH

MSRP: \$249

*Always wear protective lenses when operating near HID lamps.

Specifications

- CMH-1000W/942/T32.5/DE
- SKU#: GC1000W3KCMH

Performance Data

- Light output (Lumens @ 100 Hours).....125000
- Lumens per Watt (lm/w).....125
- Rated life (Hours @ 10 Hour / start)..... 10000
- Correlated Color Temperature (K)..... 3100
- Color Rendering Index (CRI) or (Ra).....≥90
- Photon flux (μmol/s).....2050
- Burning Position.....HOR±15°

Physical Data/Requirements

- Max.Base Temperature (°C).....250
- Max.Bulb Temperature (°C).....700
- Luminaire Type.....Open/Enclosed

Lamp Electrical Data/Requirements

- ANSI Standard Ballast..... /
- Lamp Wattage (W).....1000W
- Lamp Operating Voltage(V).....220V
- Lamp Operating Current(Amps)..... 4.7A
- Min.-Max.Starting pulse (Peak KV).....5-6
- Min.Open Circuit Voltage (RMS).....342V
- Min.Pulse Width @ 4500V(Microseconds).....1
- Min.Pulse Rate per 1/2Cycle.....1
- Pulse position (Electrical Degrees).....60-90, 240-270

