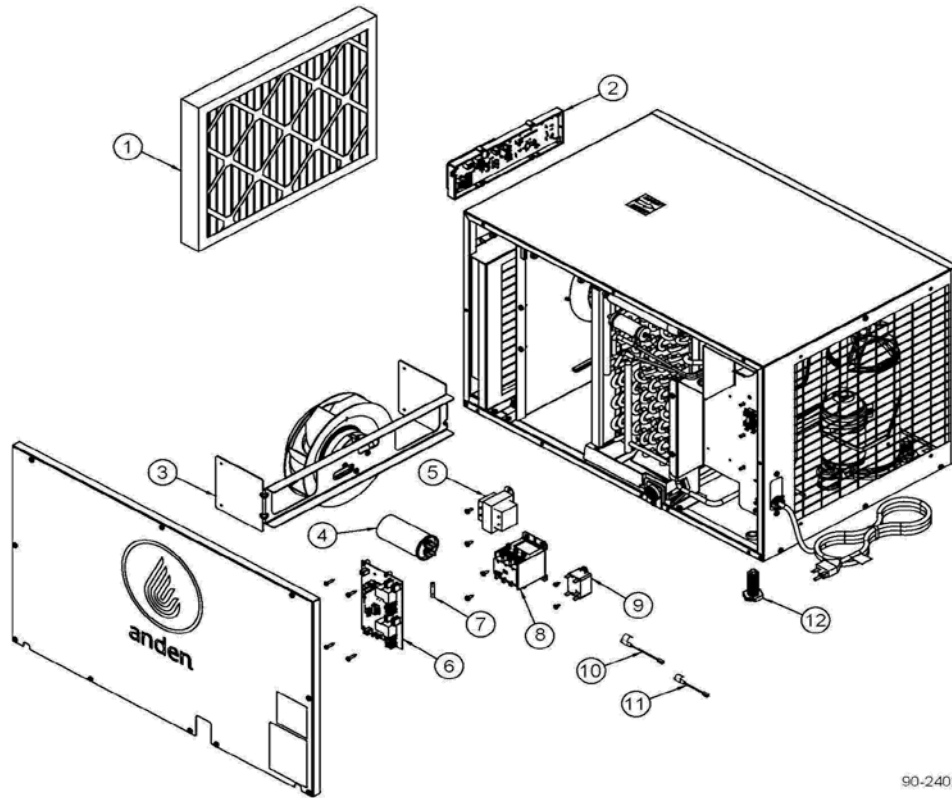


Anden® Model A210V1 Dehumidifier



90-2402

No.	Part Description	Qty/Ctn	Part No.
1	MERV 11 Replacement Filter	6	5781
2	User Interface Assembly (Replaces Part No. 5738)	1	71000062
3	Fan with Mounting Bracket (Replaces Part No. 5782)	1	71000067
4	Compressor Run Capacitor (40 MFD, 370 VAC) (Replaces Part No. 5783)	1	71000068
5	Transformer, 40VA, 240V (Replaces Part No. 5784)	1	71000069
6	Internal Control Board (Replaces Part No. 5444)	1	71000026
7	Fuse, 1A Slow Blow (Replaces Part No. 5785)	1	71000070
8	Compressor Contactor (Replaces Part No. 5714)	1	71000061
9	Fan Relay (Replaces Part No. 5787)	1	71000072
10	Sensor, Low Temperature (Replaces Part No. 5455)	1	71000034
11	Sensor, High Temperature (Replaces Part No. 5786)	1	71000071

No.	Part Description	Qty/Ctn	Part No.
12	Leveling Foot (Replaces Part No. 5457)	1	71000036
Other Parts			
	Duct Kit	1	5790
	Hanging Bracket Kit (Replaces Part No. 5791)	1	71000075
	Parts Bag (Includes Screwdriver, T20 Drive Bit, 3/4 MNPT x 3/4 Hose Barb Drain Fitting, Model A76 Control, 30 Ft. 20AWG 3-Wire Thermostat Cable) (Replaces Part No. 5792)	1	71000076
	Drain Tubing, 3/4" ID X 10' LG (Replaces Part No. 5740)	1	71000063
	Alert Light (Replaces Part No. 5818)	1	71000087
	Digital Dehumidifier Control	1	A77
	Low Profile Condensate Pump with 20' Condensate Hose	1	A4856