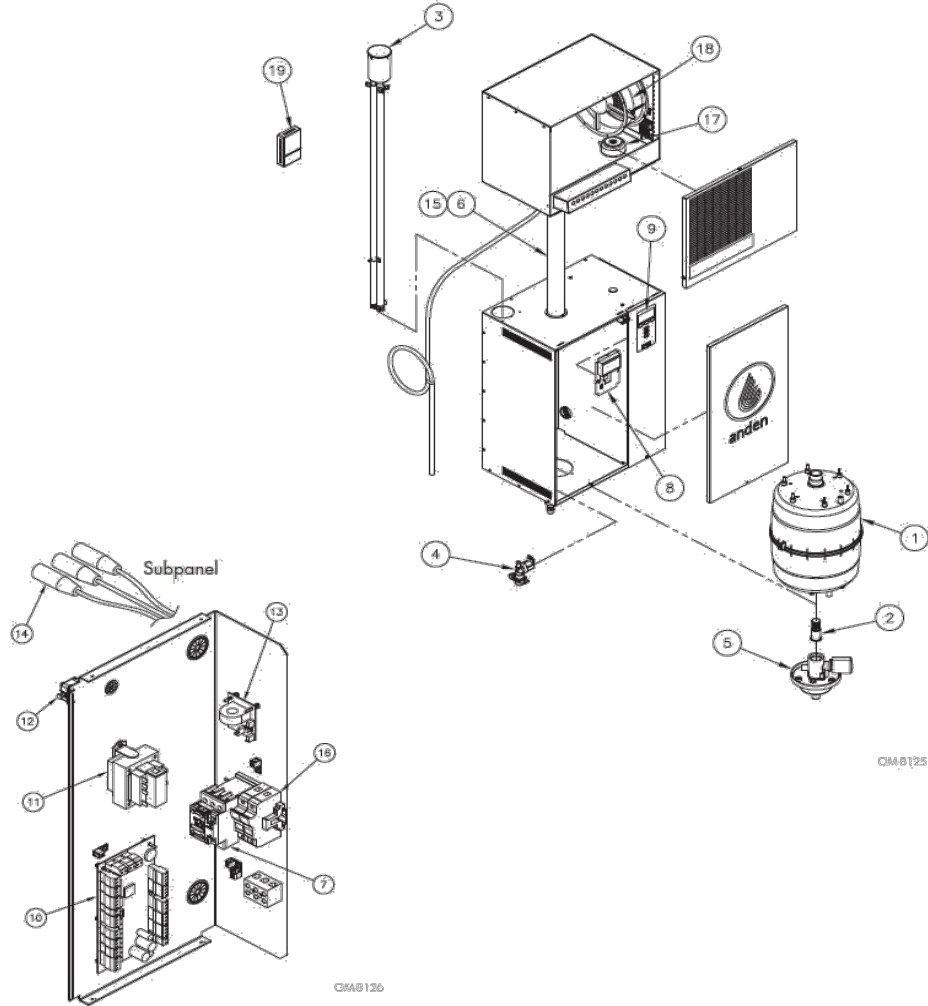


## Anden® Model AS150 Humidifier



No.	Part Description	Qty/Ctn	Part No.
1	Kit, Cylinder, AS-150	1	5872
2	Strainer, Cylinder	1	5873
3	Kit, Fill Cup Assembly	1	5876
4	Valve Fill angled 0.26 orifice 3/4" BSPP (serial number 1302431-01-02 or lower)	1	5875
	Valve Fill angled 0.26 orifice 3/4" BSPP (serial number 1305243-01-01 or higher)	1	71000124
5	Drain valve assembly	1	5874
6	Hose Kit, Remote Mounting SDU	1	5940
7	Contactor 60 amp siemens 3RT-35	1	5864
8	Board, display VL XT, display, Vapor-logic	1	5868
9	Membrane, VL W/VL logo, display, Vapor-logic	1	5869
10	Main controller Vapor-logic 6	1	5870
11	Transformer, 208/240/480V, 24V SEC - QC	1	5863
12	Switch Interlock w/override	1	5865
13	Board, current sensing, 208/230/240/277/400 V	1	5866
14	Kit, electrode wiring (plugs/wires: 1 red, 1 black, 1 white)	1	5871
15	Kit, condensate mounting SDU-017	1	5878
16	Fuse 2A 600V ATM	1	5877
17	Transformer 208/240/277V TO 120V 35VA	1	5948
18	Fan Tube Axial 120V 550 CFM 10"	1	5949
19	Transmitter, RH	1	71000127

**Contact us at:**  
**PO Box 1467 · Madison, WI 53701-1467**  
**Phone: 800.972.3710**