

Pikes Peak and Longs Peak Technical Specifications

Specification	Pikes Peak V2	Longs Peak
Weight	120 LB	130 LB
Overall Dimensions Depth x Width x Height	Horizontal: 29.2"x19.7"x13.5" Vertical: 15.5"x19.7"x33.3"	Horizontal: 32.6"x19.7"x13.5" Vertical: 15.5"x19.7"x36.8"
Input Voltage†	120/240VAC	120/240VAC
Fuses (2x)	Type: Fast Acting 250V Current: 10A Dimensions: 5mm x 20mm	Type: Fast Acting 250V Current: 10A Dimensions: 5mm x 20mm
Compressed Air Requirements	PSI: 10 – 120 CFM: 1.7 or greater Dry clean air	PSI: 20 – 140 CFM: 2.2 or greater Dry clean air
Pneumatic Cylinder Maximum Force Output	9,876 lb @ 120 PSI	15,300 lb @ 140 PSI
Frame & Enclosure Metal	A36 Steel	A36 Steel
Heat Plates	Sizes: 10" x 3" or 10" x 2" Material: 6061 Aluminum Maximum Temperature: 300 °F	Sizes: 10" x 3" or 10" x 2" Material: 6061 Aluminum Maximum Temperature: 300 °F

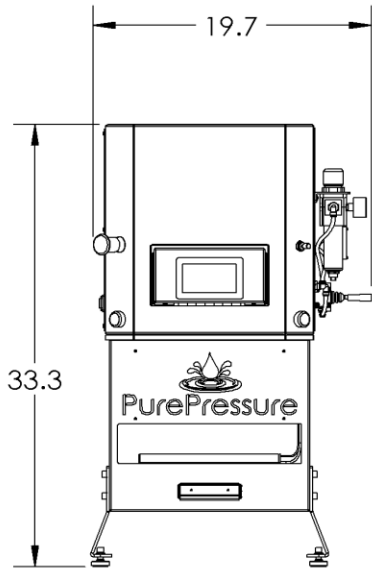
†Not all models are rated for 240VAC. See serial label on the side of your product for input voltage capabilities.

What's Included

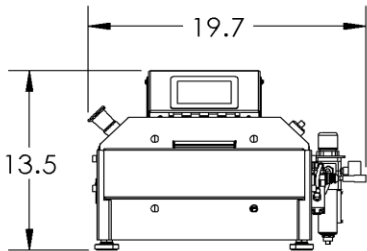
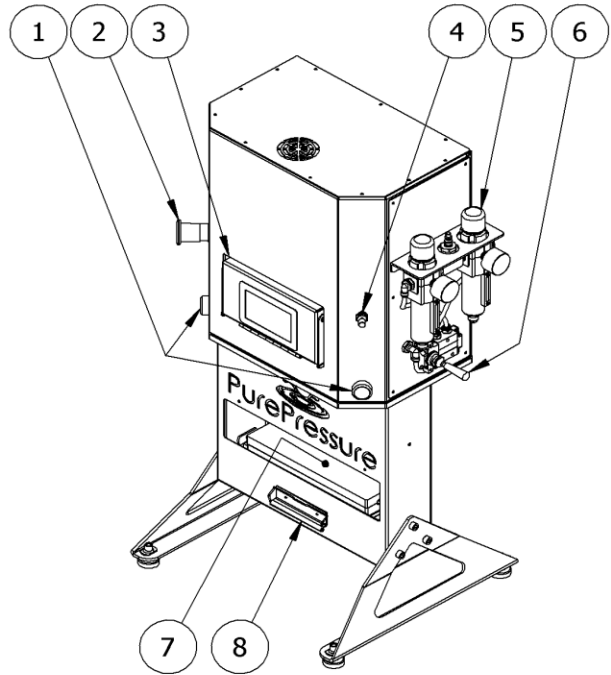
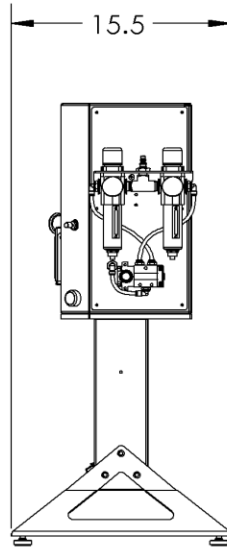
(items may differ depending on kit or model)

- a) LED capacitive touchscreen
- b) Two button safety start
- c) Emergency stop
- d) Plate speed actuation dial
- e) Compressed air filter / regulator(s)
- f) Pressure toggle for ramping control (Dual Pressure Kit)
- g) Parchment Clips
- h) Vertical orientation legs (2x)
- i) Horizontal orientation legs (2x)
- j) Leveling feet (4x)
- k) Industrial male air fitting (1/4")
- l) Power cable

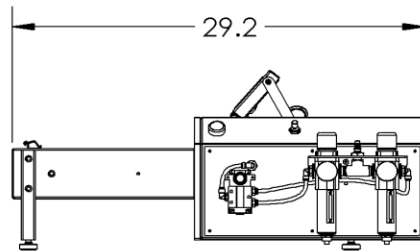
PIKES PEAK PRESS



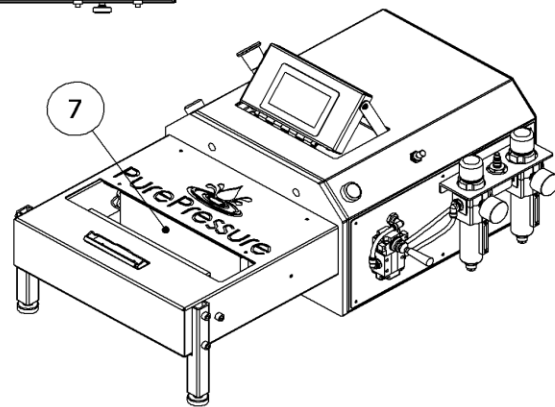
VERTICAL ORIENTATION



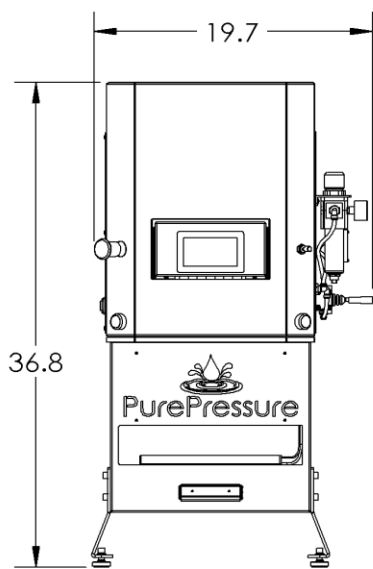
HORIZONTAL ORIENTATION



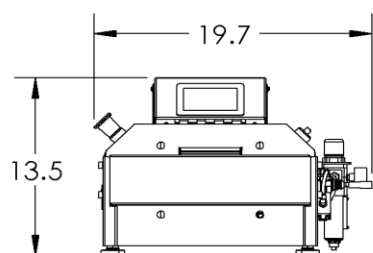
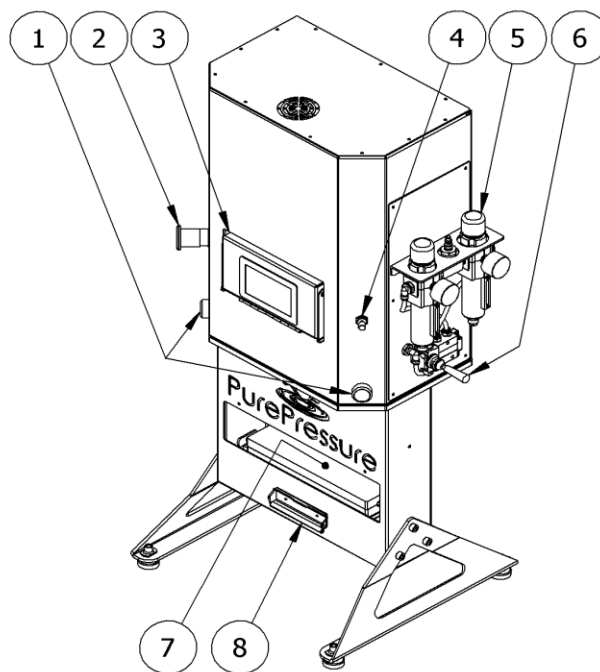
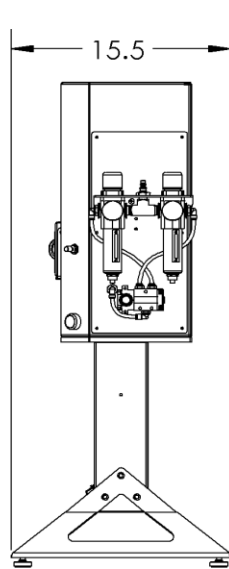
ITEM#	DESCRIPTION
1	START BUTTONS
2	ESTOP
3	TOUCHSCREEN DISPLAY
4	SPEED CONTROLER
5	REGULATOR ASSEMBLY
6	PRESSURE TOGGLE
7	HEAT PLATES
8	PARCHMENT CLIPS



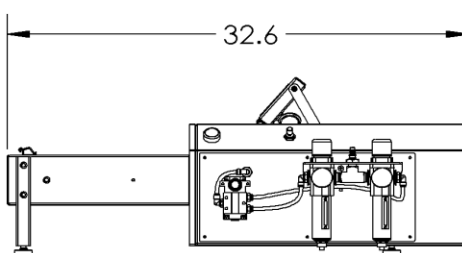
LONGS PEAK PRESS



VERTICAL ORIENTATION



HORIZONTAL ORIENTATION



ITEM#	DESCRIPTION
1	START BUTTONS
2	ESTOP
3	TOUCHSCREEN DISPLAY
4	SPEED CONTROLER
5	REGULATOR ASSEMBLY
6	PRESSURE TOGGLE
7	HEAT PLATES
8	PARCHMENT CLIPS

