



Master Perseus
By grower's choice

500W CMH SYSTEM

Installation and Operating Instructions

MP-500 CMH-120V (120V-277V)

**PLEASE READ
THESE INSTRUCTIONS
BEFORE USING
THE PRODUCT**

INTRODUCTIONS:

Thank you for purchasing the Grower's Choice Master Pursuit 500W CMH system. This manual describes the mounting and installing of the product and also describes how to use the product. Mounting and installing the fixture may only be executed by certified service personnel. Damage to the luminaire and lamps as a result of incorrect installations and use may revoke the warranty. Please read and understand this manual completely before using the product.

TECHNICAL SPECIFICATIONS:

Rated Main Voltage:	120V 208V 240V 277V
Input Current:	4.7A 2.7A 2.4A 2.1A
Input Frequency:	50/60 Hz
Power Factor:	>0.98
THD:	<10%
Required Lamp Voltage:	110V ~ 140V
Illumination Surface:	4' X 4'



State	EXT Controller	Dim Button Step dimming	Power OFF
Green	On	Off	Off
Red	Off	On	Off

EXT Controller = Ballast is controllable by external controller 0-12v signal
Knob Step Dimming = Ballast is dimming by Dim Button.

- When both LED's are off, check fuse and power supply.
- Strobe is a very fast flash



SAFETY WARNINGS:

Grower's Choice Master Pursuit 500W CMH System is special designed and tested pairing with Grower's Choice 500W MP CMH Lamps. Using other lamps in this system may cause harm to the system or the lamps and void warranty.

- Always adhere to the local rules and regulations when installing or using the fixture.
- Do not open the ballast or disassemble the fixture, it contains no service parts inside. Doing so will void the warranty.
- Wearing protective gloves is recommended during installation, servicing lamps and replacing reflectors.
- Always disconnect from the mains before performing any maintenance to the fixture.
- This fixture is designed and tested for damp indoor location only. Do not use in wet environment or outdoors.
- The fixture and lamps will get hot during operation. Do not touch while light is on. Keep this product away from children.
- Always allow at least 20 minutes for lamps to cool before handling.
- Keep power cord away from hot surface
- Do not use the fixture when either its lamp or power cord are damaged. Contact us immediately.
- Do not plug this system into a supply voltage other than what is instructed on the fixture.
- This product may cause interference to radio equipment and should not be installed near maritime safety communications equipment or other critical navigation systems operating between 0.45-30 MHz.
- Do not expose fixture to condensing humidity, heavy mist, fog or direct spray.
- Do not expose fixture to direct sunlight during use or other light that could heat up the fixture.
- Wearing protective glasses is highly recommended working under white light is on.



C182/O CMH Lamp

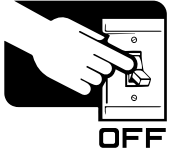
CONTENTS:

- Fixture with the one set of power cord attached.
- 1x C182/O CMH Lamps
- Gloves

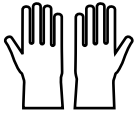
Not Included:

- RJ cord
- Controller
- Hanging kit
- Protection glasses

INSTALLATION:



- Switch off mains power.
- Remove the system from the box along with all additional parts.
- Make sure the end wires are straight.
- Remove the lamp-holder covers.



- Using the gloves provided, carefully install the lamps.

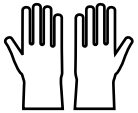


- Always disconnect from the mains before performing any maintenance to the fixture.



20 min

- Allow at least 20 minutes for the lamps to cool before handling.

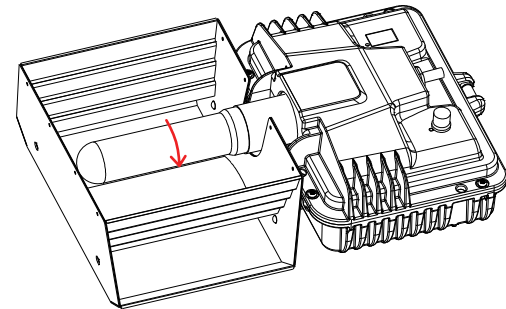
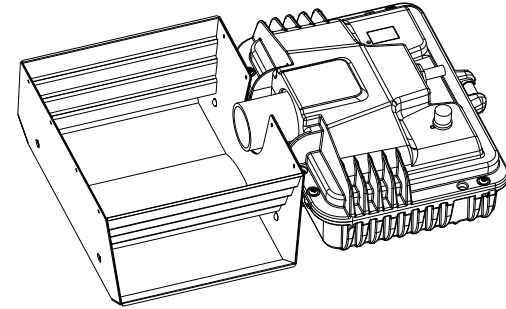


- Wearing protective gloves and glasses are recommended.



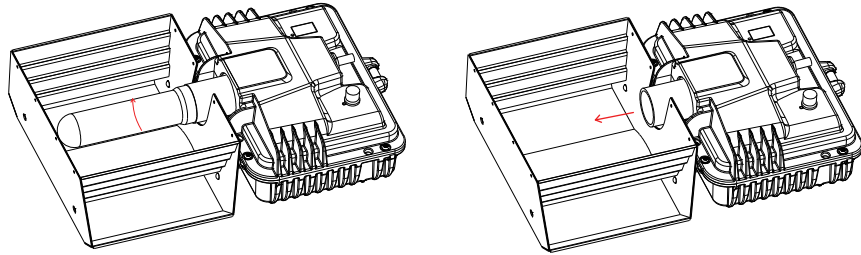
INSTALL LAMPS

- Line up the correct pins with the lamp-holder.
- Carefully press down and turn 30-45 degrees clockwise until lamp locks in. The lamp holder will give a snap-in sensation to confirm proper insertion.

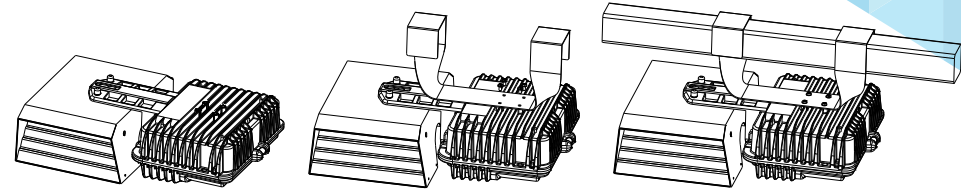


REPLACEMENT OF LAMPS

- Replacement of the lamp.

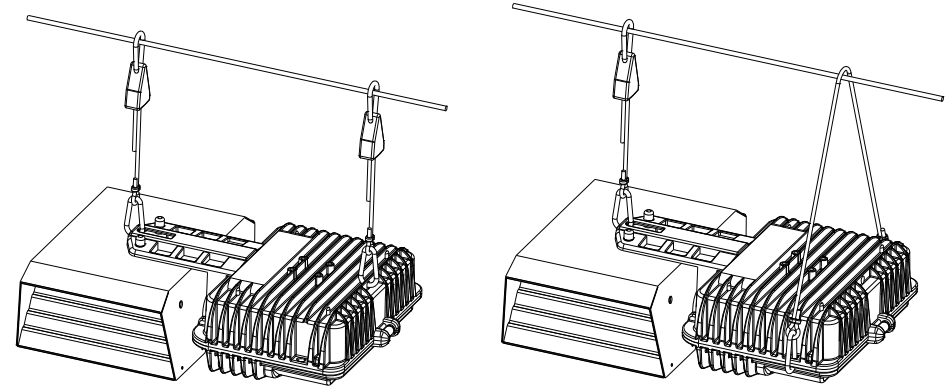
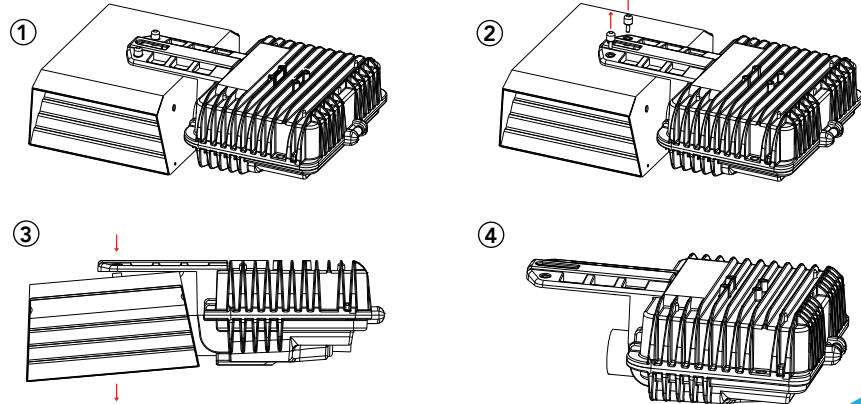


- Hang the fixture per light distribution plan: (different ways of hanging)



"C" shaped hook installation

REPLACEMENT OF REFLECTOR



Intermediate sling installation

Sling installation

CONNECTING THE FIXTURE TO THE MAINS

- For 120V to NEMA 5-15P

- Straight NEMA 5-15P



- For 208V-240V to NEMA 6-15P

- Straight NEMA 6-15P

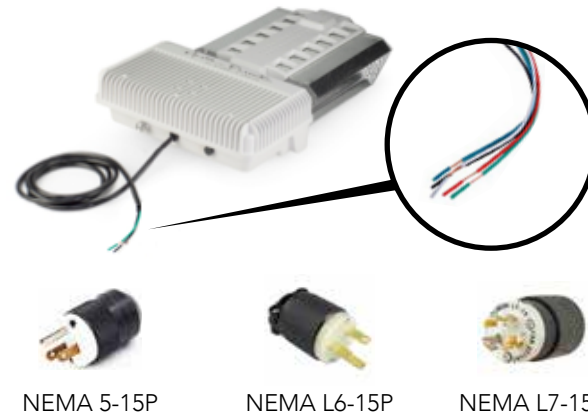


- For 277V to NEMA L7-15P

- Straight NEMA L7-15P



- Pigtail Wiring (Certified electrician installation required)



Wire	277V/347V
White	Neutral (N)
Black	Phase (L)
Green	Ground (⊕)

WARRANTY:

GROWER'S CHOICE warrants the mechanical and electronic components of their product to be free of defects in material and workmanship if used under normal operating conditions for a period of three (3) years from the original date of purchase. If the product shows any defects within this period and that defect is not due to user error or improper use, GROWER'S CHOICE shall, at its discretion, either replace or repair the product using suitable new or reconditioned products or parts. For HID lamps, the warranty period is one (1) year from the original date of purchase. GROWER'S CHOICE warranty liability extends only to the replacement cost of the product. In case GROWER'S CHOICE decides to replace the entire product, the limited warranty shall apply to the replacement product for the remaining initial warranty period.

GROWER'S CHOICE shall not be held responsible for any damage caused by the operation of the unit, be it incidental or consequential or any type including, without limitation, damage or injury caused to other products or machinery or buildings. Nor will responsibility be accepted for loss of time or profit, loss of finished product, or for any inconvenience caused in any way whatsoever.



Master Pursuit

By grower's choice

Tel: (909) 972-8419

E-mail: info@growersc.com

Website: www.growersc.com

Address: 1500 S Milliken Ave, Suite B, Ontario, CA, 91761

