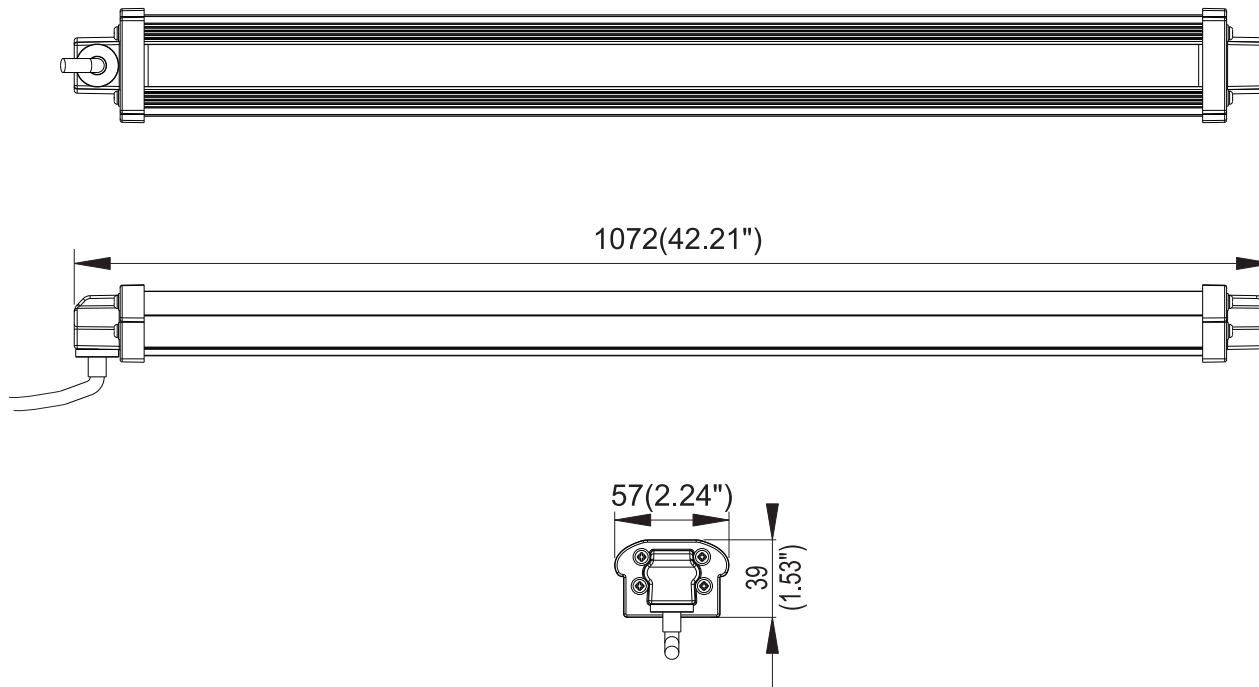


# Gavita® UVR LED

Item #HGC906425



## SPECIFICATIONS



<b>INPUT VOLTAGE:</b> 120-240 V	
<b>INPUT POWER:</b> 30 W	
<b>HEAT LOAD:</b> 100 btu/hr*	
<b>CURRENT - 100%</b>	
120 V	0.23 A
208 V	0.14 A
240 V	0.12 A
<b>INRUSH CURRENT:</b> < 20 A	
<b>FREQUENCY:</b> 50/60 Hz	
<b>POWER FACTOR (cosφ):</b> > 0.93	
<b>Voltage THD</b>	
120 V	0.21%
240 V	0.18%
<b>Current THD</b>	
120 V	10.70%
240 V	8.70%
<b>AMBIENT TEMP:</b> 32-104° F (0-40° C)	
<b>ENVIRONMENTAL RATING:</b> IP65	
<b>MOUNTING:</b> Multiple Mounting Options Included (see instructions)	
<b>WEIGHT:</b> 3.9 lb	<b>DIM:</b> 42.2 in x 2.24 in x 1.5 in
<b>CERTIFICATIONS:</b> UL 1598, CSA C22.2 No. 250.0	
<b>WARRANTY:</b> 5 year warranty	

\*Please consult HVAC Expert to calculate total heat load in your grow space

HGC906425 Gavita® UVR LED Spec-Sheet- Last Updated 01/04/2021



This document is not intended to be used for installation purposes. We cannot cover all specific applications or anticipate all requirements. All specifications are subject to change without notice.

HawthorneGC.com | Canada: HawthorneGC.ca