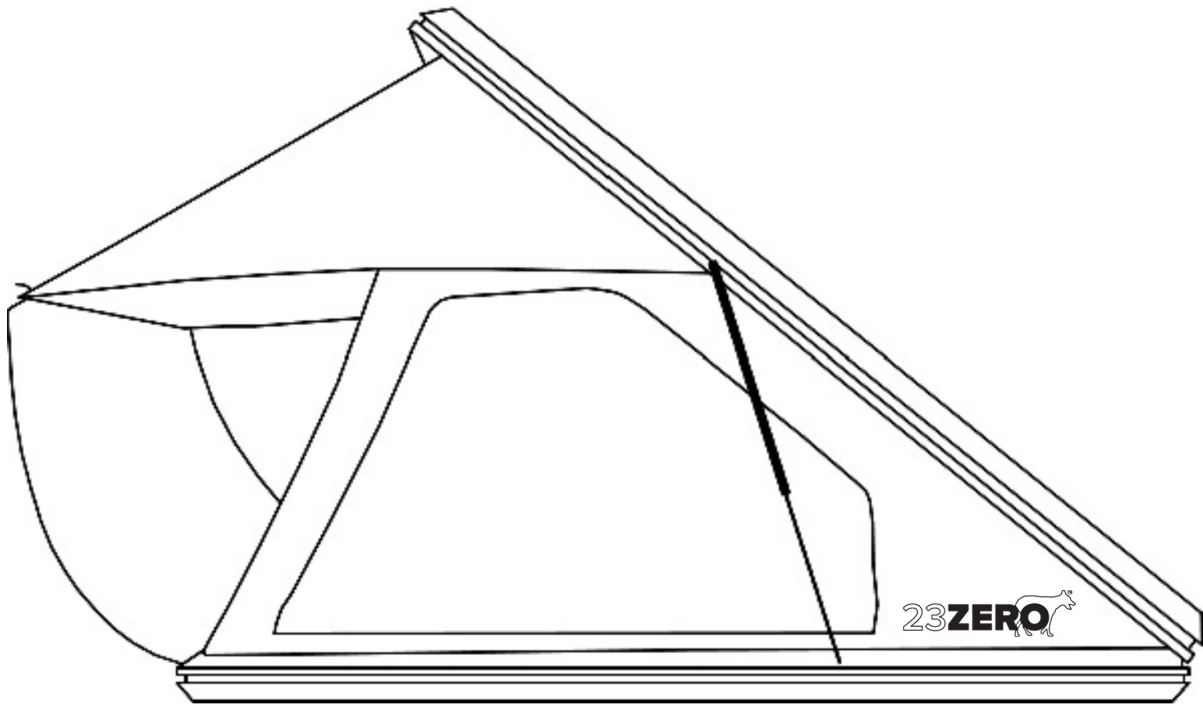




HARDSHELL ROOF TOP TENT





Thank you for purchasing a 23 ZERO Roof Top Tent

Congratulations on the purchase of 23ZERO's KABARI hard-shell roof-top-tent. We strive to provide you with the ultimate camping experience. The KABARI RTT mounts directly to a roof rack or aftermarket roof bars. It opens and is fully set up in seconds. As well as our innovative LST fabric, this hard-shell RTT is made with durable materials and high-quality fabrics that provide excellent water and wind protection.

Most of the components have been pre-assembled, except for ladder brackets, awning stay pole brackets and roof bars. Depending on vehicle set up and choice of entry points, these components can be repositioned to suit.

Note: During set up and first use, some aluminum swarf may be present inside the roof top tent. We make every possible effort to expel all aluminum swarf, however, with vibrations caused by logistics some residual may dislodge. Remove and clean these during set up.

PLEASE READ ALL INSTRUCTIONS PRIOR TO INSTALLING

IMPORTANT

Before installing your 23Zero Roof Top Tent please ensure you are aware and understand the following:

- Your vehicle's maximum roof load rating,
- Your roof rack's maximum load rating including off-road capacity.

The maximum amount of weight you can safely add to a vehicle's roof/cargo area differs according to make and type of vehicle including aftermarket additions such as roof racks/bars.

Note: Roof rack off-road limits are immensely different to normal road use load ratings. If in doubt, please contact your vehicle manufacturer and roof rack manufacturer/supplier for specified loading capacity of your vehicle and roof rack. Not all factory roof racks or aftermarket roof bars can safely accommodate roof top tent models. The responsibility of fitting this roof top tent to rated roof racks or roof bars lays with the purchaser.

CONTENTS

Safety & warnings	3
Hardware & accessories	4
Fitting to roof rack	5
Fitting hardware	6
Optional roof bars	7
Ladder adjustment	8
Opening & set up	10
Closing & storage	10
Warranty	11
Mounting rail dimensions	12

Safety & Warnings

Improper installation or use of the Kabari roof top tent may result in serious injury or death. Follow these installation instructions carefully to ensure proper installation to vehicle and safe use of the roof top tent.

Note: Alterations and/or inclusions such as roof racks and roof top tents applied to the vehicle roof may affect vehicle handling and characteristics.

The manufacturer (23 ZERO) disclaims all responsibility in case of accidents and/or damage due to installation of a roof top tent to an underrated roof rack, improper use, improper maintenance or checking the tightness of the brackets regarding the installation of the roof rack system.

Inspections: Roof top tents have many moving parts, so maintenance checks are always advised. During trips, regularly check that all nuts and bolts attaching the roof top tent to the vehicle as well as hinges and locks are tight and in good repair.

Note: The Kabari roof top tent must be key locked when vehicle is in motion.

Ladder: For your safety and protection, ensure correct placement and angle of ladder. Recommended ladder placement is a 4:1 ratio or approx. 75°. Ladder height may need to be adjusted depending on vehicle height, see “Ladder Adjustment” on page 8 & 9 of these instructions.

DO NOT CLIMB ON LADDER UNTIL CORRECT ANGLE IS ACHIEVED

23Zero - The wholesaler/manufacturer shall not be liable for special, indirect incidental or consequential damages.



SAFETY WARNING



KEEP ALL FLAME AND HEAT SOURCES AWAY FROM THE TENT MATERIALS.

**UNDER NO CIRCUMSTANCE SHOULD ANY NAKED FLAME SOURCES OR HEATING DEVICES
BE USED INSIDE OR NEAR THE TENT.**

KEEP CAMP FIRES WELL AWAY FROM TENT.

**KEEP A LOOK OUT FOR ANY AIRBORNE BURNING EMBERS THAT MAY COME INTO
CONTACT WITH THE TENT.**

KEEP A FIRE EXTINGUISHER OR WATER BUCKET NEARBY.

DO NOT SMOKE WITHIN THE TENT.

DO NOT OPERATE ANY DEVICE WHICH BURNS FUEL INSIDE OF THE TENT.

KEEP EXIT CLEAR.

Hardware & Accessories

The Kabari hard-shell roof top tent includes a mounting kit with everything required to mount the roof top tent to most roof racks.

<p>Handle x 1</p> 	<p>Mounting plate x 4</p> 
<p>Ladder bracket x 2</p> 	<p>Pack up bungee cord x 1</p> 
<p>Stay pole x 2</p> 	<p>55mm M8 bolt x 8</p> 
<p>Stay pole bracket x 2</p> 	<p>M8 Nylok nut x 8</p> 
<p>Keys x 4</p> 	<p>M8 Flat washer x 8</p> 
<p>Safety pole x 1</p> 	

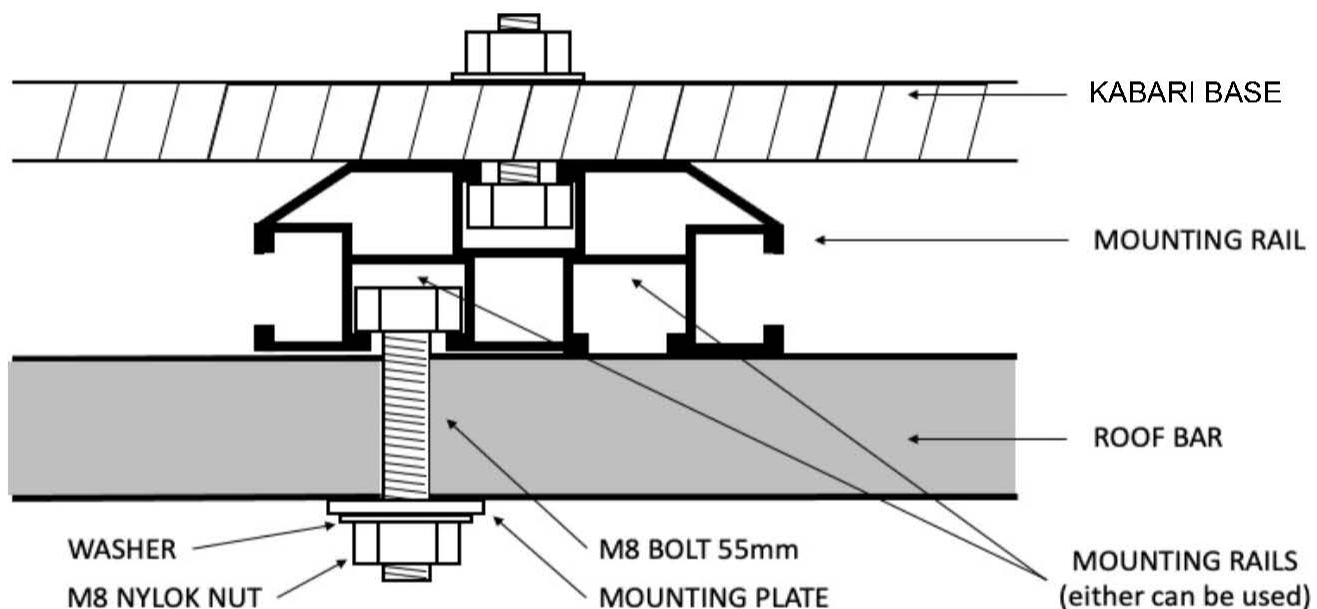
Note: Some platform style roof racks have platforms which are wider than the supplied mounting plate. Please reach out to 23 ZERO for this scenario ph: (855) 875 7755.

Fitting to Roof Rack

The Kabari roof top tent must be fitted to roof racks with the hinges facing forward (front of vehicle). It must be clamped on 4 corners using the 8 x 55mm M8 bolts & mounting plates supplied. To do this, place the roof top tent on top of the vehicle's roof rack (minimum 4-person lift).

Important: Ensure the Kabari is key locked during installation to avoid accidental opening.

The pre-fitted mounting rails have 2 channels facing downward, either channel can be used to mount the Kabari roof top tent to the roof rack. Slide 4 x 55mm M8 bolts into either rail. Position these so there are 2 bolts toward the front of the tent and 2 bolts toward the rear of the tent on each rail. Lift/tilt the roof top tent to allow the inner bolts to cross over onto the inside of the roof bars. Lift/tilt the roof top tent to allow the inner bolts to cross over onto the inside of the roof bars.



Inspect the position of the roof top tent to ensure it will open in the desired position.

Note: It is recommended the rear of the tent is flush with the back of the vehicle to allow correct ladder angle. Place a mounting plate under the roof bar whilst locating the bolts, insert washer and hand tighten Nylok nut. Repeat for all 4 corners. Double check the tent's position as desired and tighten all nuts securely with 13mm spanner. Insert end caps into the ends of the mounting rails, this may require light taps from a hammer.

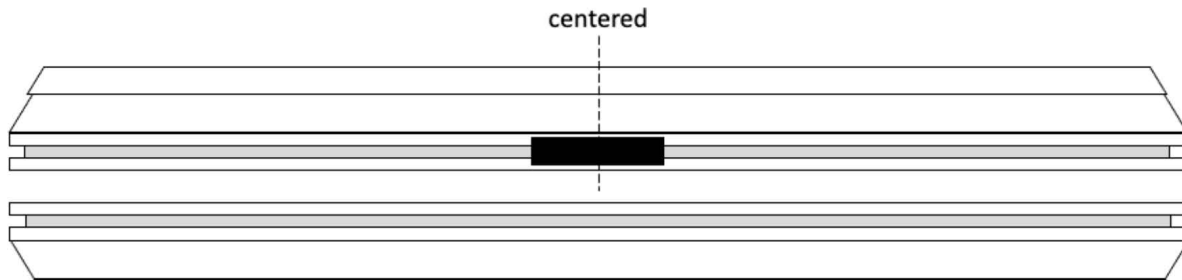
Inspections: Roof top tents have many moving parts, so maintenance checks are always advised. During trips, regularly check that all the above fixings are tight and in good condition.

Fitting Hardware

Out of the box, some hardware must be fitted to the Kabari tent. Hinges, gas struts and locks are all pre-fitted. Hardware is fitted to the Kabari via the channels on the edges of the roof lid and baseboard. Insert 1 x square slide nut per hex bolt in the channel and slide to the required position. Insert hex bolts through the mounting holes on the hardware and line these up with the square slide nuts. Rotate hex bolt clockwise to locate thread. Once located slide the hardware to the desired position and tighten with a 5mm Allen or Hex key.

Handle: (Roof lid)

The handle should be fitted centered at the rear of the Kabari (non-hinge side)

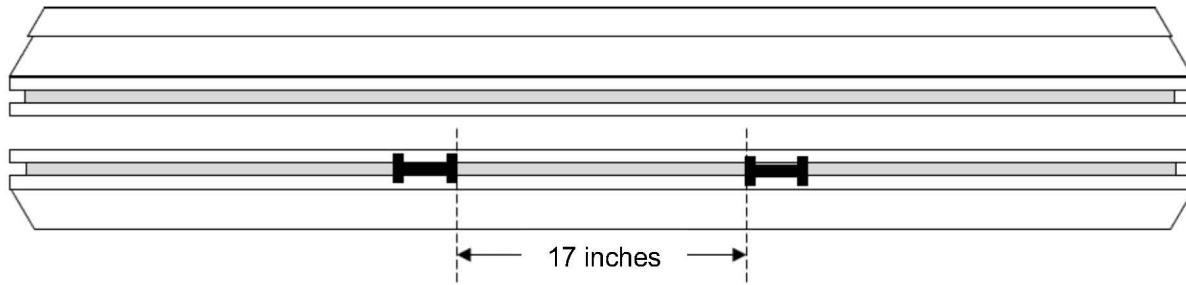


Ladder brackets: (Baseboard)

Locate desired entry point as this will determine the position of the ladder brackets. Position the ladder brackets approximately 17 inches apart in the center of the desired entry point.

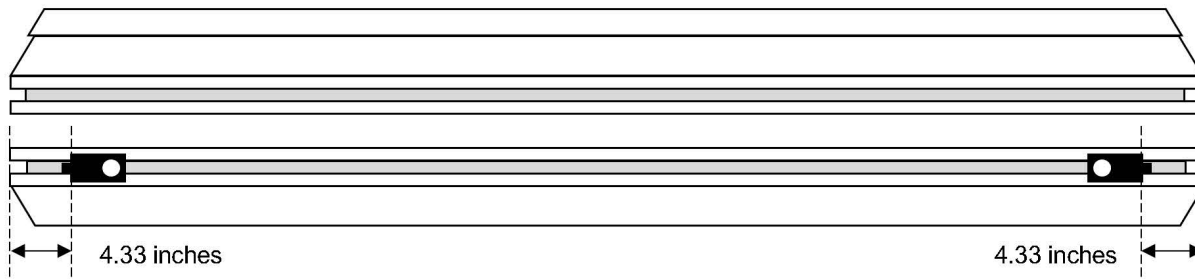
Tip: Temporarily remove the horizontal bar on the ladder bracket to better access the hex bolts.

Note: *If using a side entry, the bottom half of the lock mechanism will need to be temporarily removed to allow the ladder brackets to slide past.*



Stay pole brackets: (Baseboard)

These are to be fitted at the rear 4.33 inches in from the corners of the bottom baseboard.



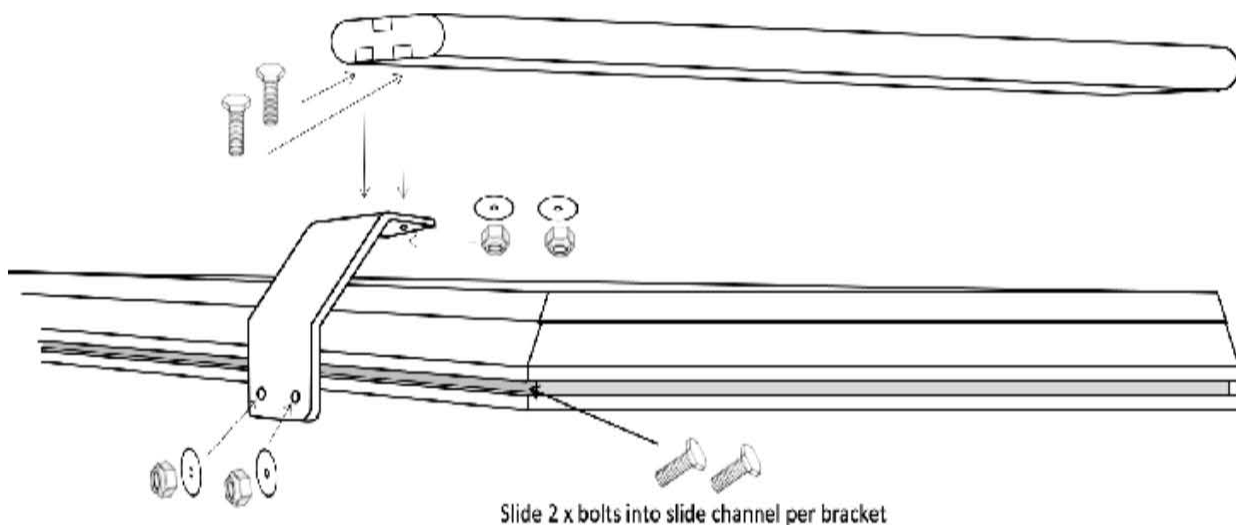
Safety pole: (Inside - when tent is in use)

This is a twist lock pole which must be fitted when tent is in use. Position this right-hand side of high end (inside tent looking out).

Optional Roof Bars

The Kabari roof top tent offers 2 x optional roof bars which can be purchased as an accessory. These are fitted to the side channels on the roof lid. Slide the heads of 2 x 20mm M8 bolts into the channel of the roof lid near desired location. Locate the holes on the bottom of the bracket (long side) and place over the bolts. Fit washer and Nylok nut and tighten. Repeat for opposite side.

Note: Some hardware may need to be removed to allow bracket bolts to slide to desired position. To fit roof rail to brackets, slide 2 x 20mm M8 bolts into each channel on the flat edge of the rail and place over the holes of mounted bracket. Fit washer and Nylok nut and hand tighten. Repeat for opposite side. Position roof bar so it is centered on the Kabari and tighten all nuts. Repeat this process for the remaining roof bar. Fit all rubbers and end caps.



Note: The roof bars for the Kabari roof top tent are not designed to carry significant loads. A maximum of 44lbs can be carried on top of the Kabari providing this weight is spread evenly across all the bars. Load weights greater than 44lbs will void any warranty. When adding additional weight to the top of the Kabari consideration must be given to the overall weight rating capacity of your vehicle's roof and roof rack.

Please ensure you are aware and understand the following:

- Your vehicle's maximum roof load rating,
- Your roof rack's maximum load rating including off-road capacity.

The maximum amount of weight you can safely add to a vehicle's roof/cargo area differs according to make and type of vehicle including aftermarket additions such as roof racks/bars.

Important: Before each trip, please check that all roof bar and bracket fixings are tight and in good order before adding load.

Ladder Adjustment

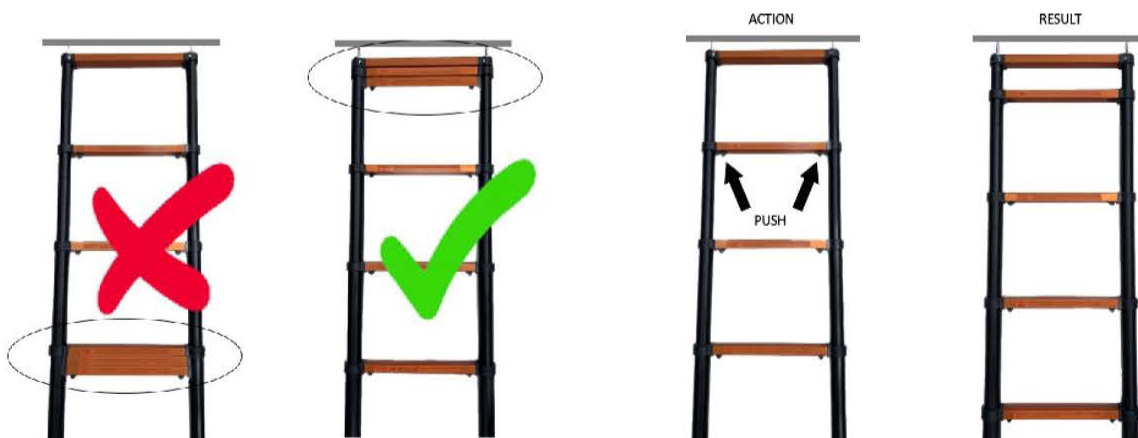
For your safety and protection, ensure correct placement and angle of ladder. See diagrams below. Recommended ladder placement is a 4:1 ratio or approx. 70° to 75°.

NOTE: Under no circumstances should anyone be inside the roof top tent if the ladder is not locked and secured at the correct angle.

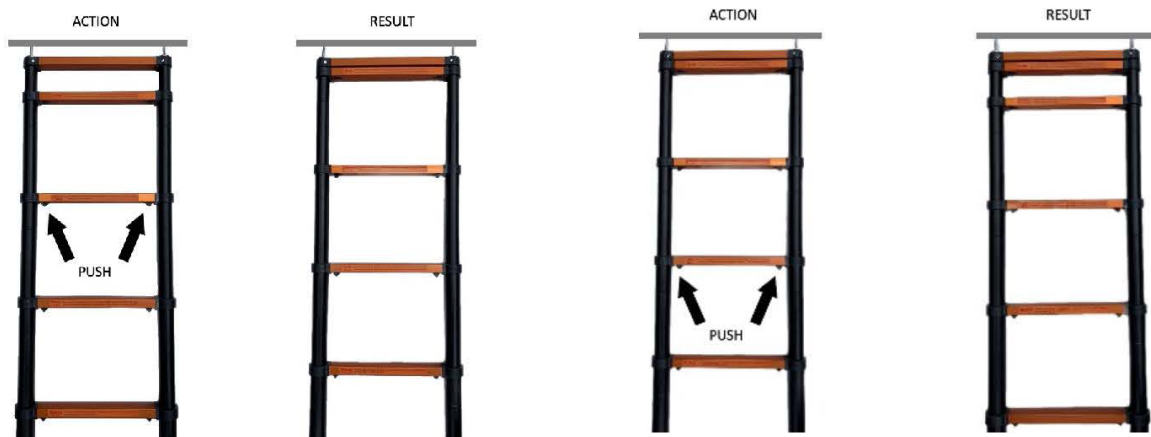


The ladder may need to be adjusted to achieve the correct angle depending on the height of your setup. If shortening is required, the adjustment must be done from the top. Ensure the ladder is fully extended and all rungs are locked in place. Press the first set of locking buttons (second rung from the top) and allow the ladder to compress until a gap of approx. 3.3 inches is achieved between rung 1 & 2.

Note: The ladder will only lock in the downward position. Swing in the bottom of the ladder until it supports the weight of the roof top tent. If the angle of the ladder is between 70° and 75°, the adjustment is complete.



If further shortening is required, press the second set of locking buttons (third rung from the top). This will close the 3.3 inch gap until rung 1 & 2 are now touching. Swing in the bottom of the ladder until it supports the weight of the roof top tent. If the angle of the ladder is between 70° and 75°, this adjustment is complete.



NOTE: When height adjusted, the ladder will only lock in the downward position. If further adjustment is required, repeat the above steps by continuing the sequence by depressing the next set of locking buttons.

Opening & Set Up

Once the Kabari is fixed securely to the vehicle's roof rack and the ladder is locked and angled correctly, climb the ladder, release the locks on either side of the tent and lift until the gas struts take over. Once open, lower the perimeter shock cord and hook this to both front corners of the baseboard. Locate the canopy stay poles and fit each of these into their brackets with the hook end facing outward. Flex each pole and insert the hook ends into the grommets on the corners of the canopy. Unzip entry door and enter the roof top tent. Once inside, locate the twist lock safety pole and position this tightly in the right-hand side corner of the tent (RHS - inside tent looking out). Twist lock tight in position. The tent is now ready for use.

Caution: Safety poles must be fitted at all times when Kabari roof top tent is open and in use.

Closing & Storage

Sleeping bags or blankets can be stored in the Kabari if laid out flat. If thicker mattresses than that supplied with the RTT, or toppers, are fitted, these objects are not recommended to be stowed inside. Not only do these make closing the tent difficult but they will put excessive pressure on hinges which may lead to failures and damage. This damage is distinguishable and is not covered by warranty.

Tip: If stowing pillows inside the Kabari, move them toward the hinge end before closing the tent.

An internal bungee cord as well as an external perimeter shock cord is included with your Kabari hard-shell roof top tent. These assist in reducing the canvas from billowing during pack up. Attach the internal bungee cord to either side of the Kabari via the fitted plastic loops inside the tent beside the windows. Exit the tent, remove the canopy tension poles, and lift the perimeter shock cord halfway up the canvas ensuring it goes over the canopy canvas as well. The tent is now ready to close.

Tip: Leave the side windows open halfway open to allow internal air to escape while closing the tent.

As the Kabari is closing, tuck the canvas inside so none is caught between the sealing rubbers on the roof lid and baseboard. Engage the locks. Unhook the ladder, retract, and stow in carry bag.

Caution: Avoid closing/storing tent wet. If conditions dictate that you cannot avoid doing so, ensure you open and dry out the tent as soon as possible to avoid moisture damage.



2 Year Warranty

23 ZERO will replace or repair any product at its discretion that is subject to faulty manufacturing or workmanship including materials.

Exclusions

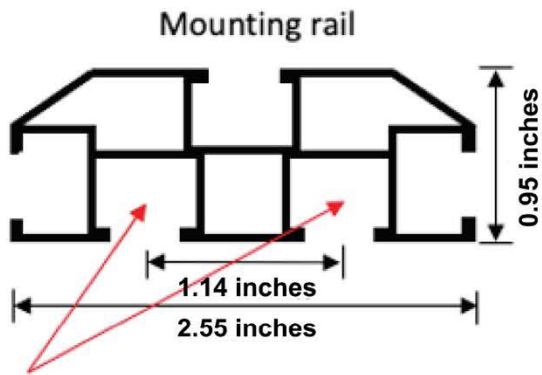
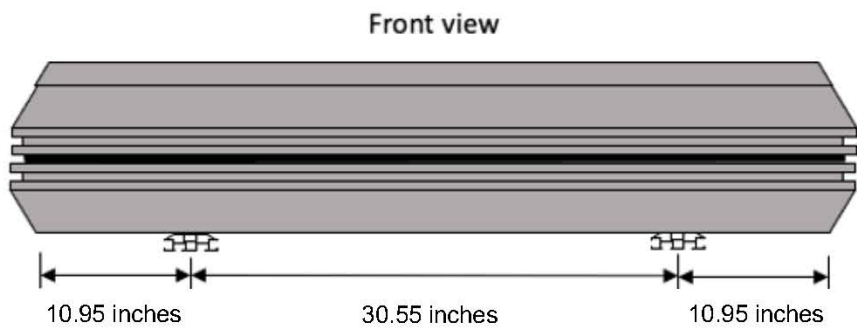
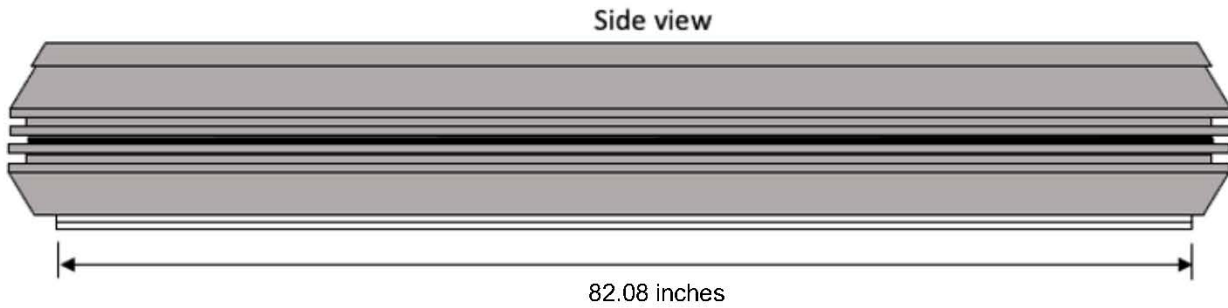
The above warranty is limited to manufacturing and materials defects. Not including damage caused by misuse or abuse, wear and tear, condensation, extreme weather, accidents, incorrect set up, damage caused by mold, insects, animals, or children. This also excludes broken poles and damage caused by a jammed, snagged zipper or excessive force applied to zipper causing failure.

Making a claim

To make a claim in relation to the above manufacturer's warranty please ensure you retain your sales receipt/proof of purchase. Please contact us by phone (855) 875-7755 or email info@23zero.com stating the nature of your claim and we will be in touch with you promptly. If you require additional assistance, please phone to discuss and arrange your claim. Product subject to warranty will need to be sent to 23 ZERO, 2282 S President's Dr, West Valley City, UT 84120. All freight costs associated with return of product for assessment is payable by consumer.

Mounting Rail Dimensions

The diagrams and dimensions below will assist in preparing roof racks and roof bars for fitment.



Slide mounting bolt
in to either channel