

LC/UPC to FC/UPC Single Mode Simplex Adapter

Order Code: BTALCUFCMUSSM-MZNFNS-5P

Beyondtech Fiber Optic LC to FC Adapter Single mode UPC Simplex Couplers are specially designed to provide precise simplex fiber optic cable to cable connection or patch cords (9/125) to equipment connection.

FEATURES AND BENEFITS

- Our FC to LC Adapter have a Sleeve with the best quality Zirconia ceramics providing high dimensional accuracy.
- These LC-FC (Male) Singlemode Fiber Adapter comply with IEC 61754-4, IEC 60784-14 and TIA 604-3 and conform to RoHS standards.
- This FC UPC / LC UPC Adapter Simplex single mode Fiber Coupler are lightweight due to their plastic bodies.
- You can use Beyondtech LC-FC (Male) Hybrid (Male to Female) in any adaptation of 2.5mm (A) to 1.25mm (B). Compatible with Visual fault Locator (VFL).
- Each FC adapter is individually and rigorously tested and certified under Beyondtech fiber optic extender/couplers inspection processes to be within accurate optical insertion loss.



SPECIFICATIONS

Color Code:
Blue / OS1-OS2

Connector 1:
LC Female (UPC)

Connector 2:
FC Male (UPC)

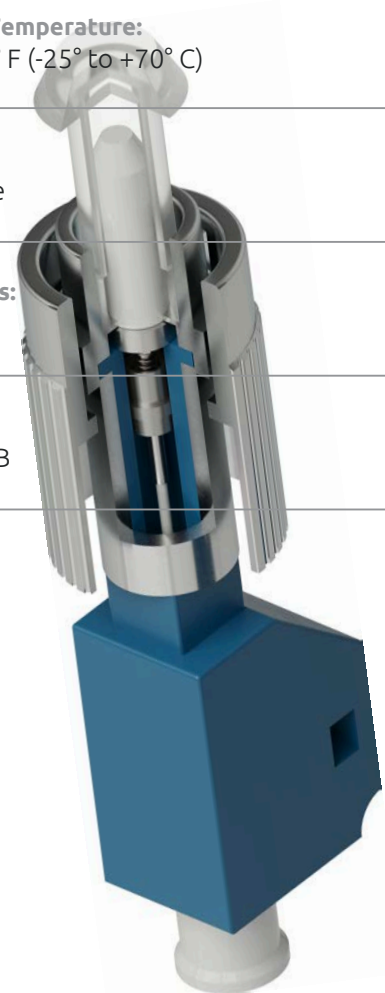
Operating Temperature:
-13° to 158° F (-25° to +70° C)

Core:
Singlemode
9/125um

Fiber Counts:
Simplex

Insertion Loss: ≤0.3dB

Durability:
1000 times



A	B	C	D	E	F	G	H	I	J	K
BT	P	LC	U	LC	U	0	D	C	1M	1P

Example: BTPLCULCU0DC1M1P = Beyondtech | Patch Cables | LC | UPC | to LC | UPC | OS1 | Duplex | 3.0mm PVC | 1Meter | 1 Pack

A Beyondtech	B P Fiber Patch Cable C Fiber Connectors A Fiber Adapters AT Fibre Attenuator PI Fiber Pigtail	C A Connector: SC / LC / ST / FC
D A Polishing: P PC U UPC A APC	E B Connector: SC / LC / ST / FC	F B Polishing: P PC U UPC A APC
G 0 OS1 Single-mode 9/125µm 2 OM1 Multi-mode 62.5/125 3 OM2 Multi-mode 50/125 4 OM3 Multi-mode 50/125 10G 5 OM4 Multi-mode 50/125 100g	H S Simple D Duplex	I A 0.9mm LZSH B 2.0mm LZSH C 3.0mm LZSH D 0.9mm PVC E 2.0mm PVC F 3.0mm PVC
J Length: Number X (M: Meters / FT: Feet)	K Pack: Number X (P: Pack)	E, F: In case of Fiber pigtail leave blank LSZH (Low Smoke Zero Halogen) Other options are available. Ask your Beyondtech sales representative. 1 Jacket Type (OFNG) 2 Connector Type: E2000, MTRJ, Female/Male, MTP 3 Custom cabling per request



For more information on Beyondtech Premium Warranty, visit beyondtech.us/warranty

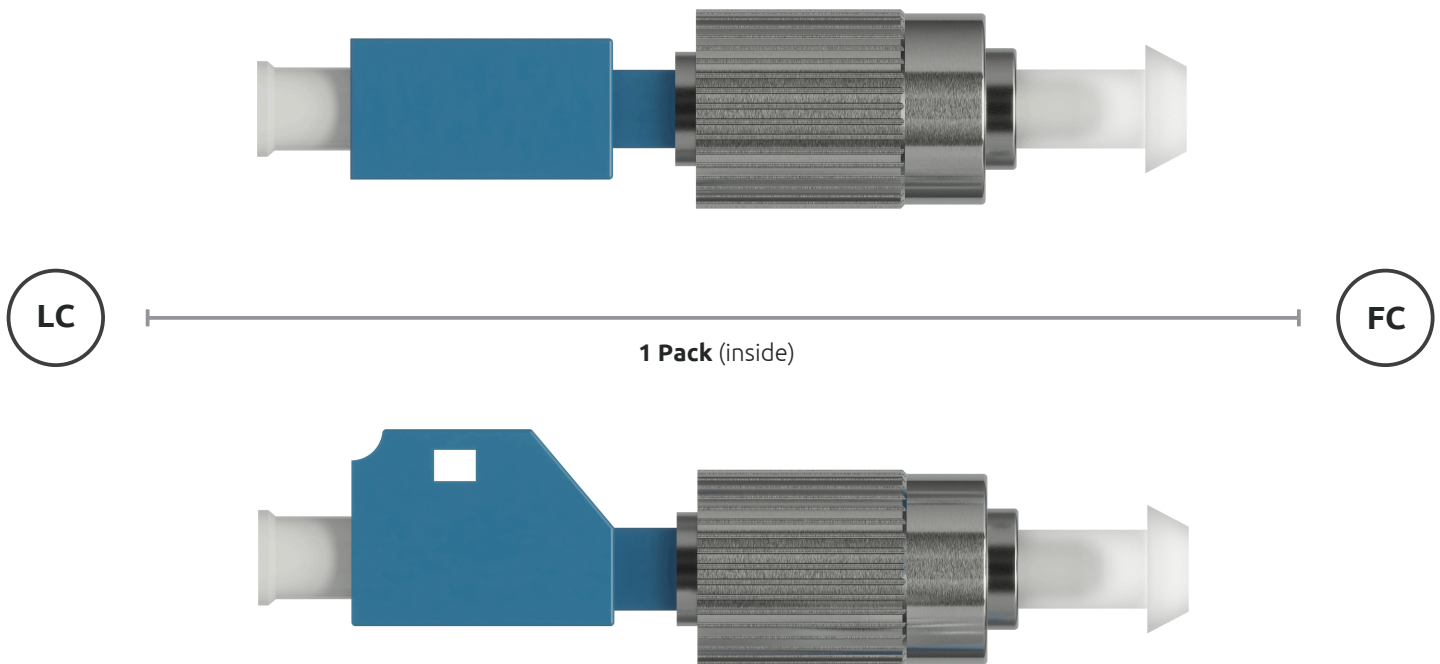


DISCLAIMER

This datasheet is from authorship and exclusive property of Beyondtech. His reproduction is banned in the integral or partially without mentioning his authorship, as well as the alteration of his content or context.

IMPORTANT NOTICE

All statements, technical information, and recommendations related to Beyondtech products are based on information believed to be reliable, but the accuracy or completeness is not guaranteed. Before using this product, you must evaluate it and determine if it is suitable for your intended application. You assume all risks and liability associated with such use. Any statements related to the product which are not contained in Beyondtech current publications, or any contrary statements contained on your purchase order shall have no force or effect unless expressly agreed upon, in writing, by an authorized officer of Beyondtech.



SKU: BTALCUFCMUSSM-MZNFNS-5P
Coupler specifications

LC to FC Adapter.
LC Female to FC Male.
Color code: Blue.
Ultra Physical Contact (UPC).
Single mode 9/125.
Fiber Simplex.
Complies with IEC 61754-4, IEC 60784-14 and TIA 604-3.
RoHS compliant.
Operating temperature: -20C to +70C.
Panel and rack mountable.
LAN, WAN, SAN and FTTx applications.

WORLDWIDE CORPORATE HEADQUARTERS

Rediret UK LTD.
London UK.
info@rediret.com
+44 (020) 3289.1190

Beyondtech Europe
Madrid, ES
info@beyondtech.es
+34 (747) 869.449

Beyondtech Americas
Miami, FL, USA
info@beyondtech.global
+1 (305) 897.3507

For more information, visit our website
www.beyondtech.global, contact us
at customer@beyondtech.global or
call **+1 (844) 283.5266** (toll-free).