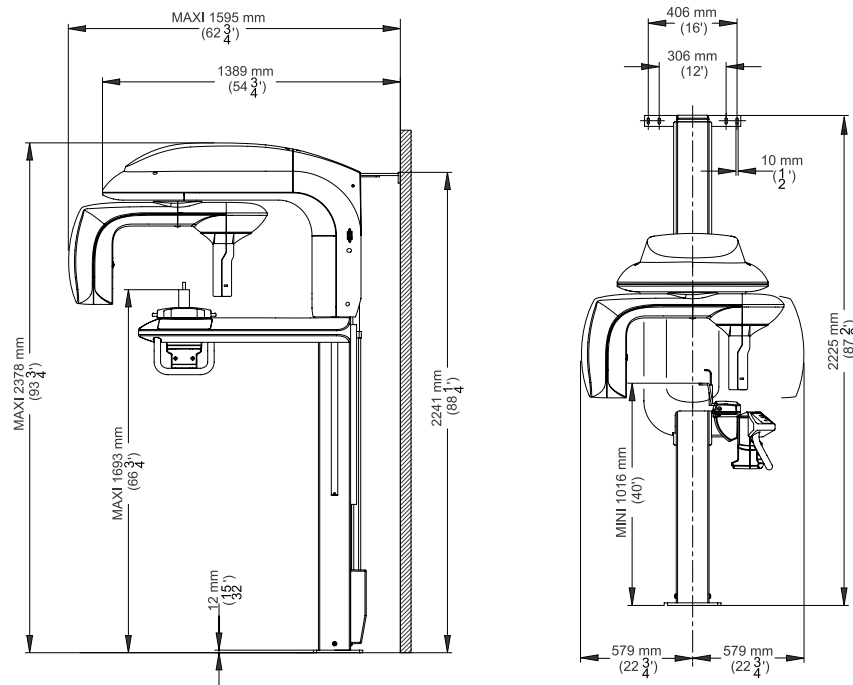


## Technical Specifications

Cone Beam CT Specifications	
Sensor type	TFT
Focal spot size	0.7mm
Scan mode	continuous and pulse
CBCT scanning time	12-28 seconds (+/- 10%)
Voxel shape	isotropic
Reconstruction time	Less than 2 minutes based on the recommended computer system configuration requirements
Other Specifications	
Exposure times	panoramic: 4 to 16 seconds, cephalometric: 0.1-3.2 seconds
Tube voltage	60-90kV
Tube current	2-15mA
Input voltage (AC)	220/230/240 V, 50/60 Hz
Weight	160 kgs (353 lb), with cephalometric module: 199 kg (438 lb)
Footprint	120 x 160 cm (45.5 x 62.8 inches), with cephalometric module: 215 x 160 cm (84.6 x 62.8 inches)

Warning: Class 2 laser product. Do not stare into the beam.

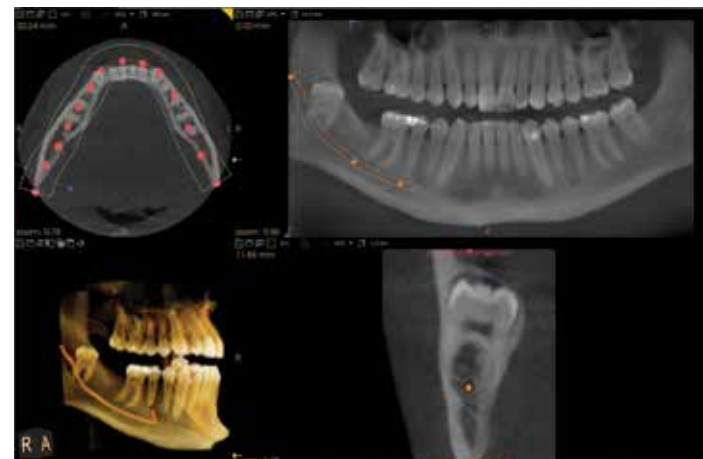
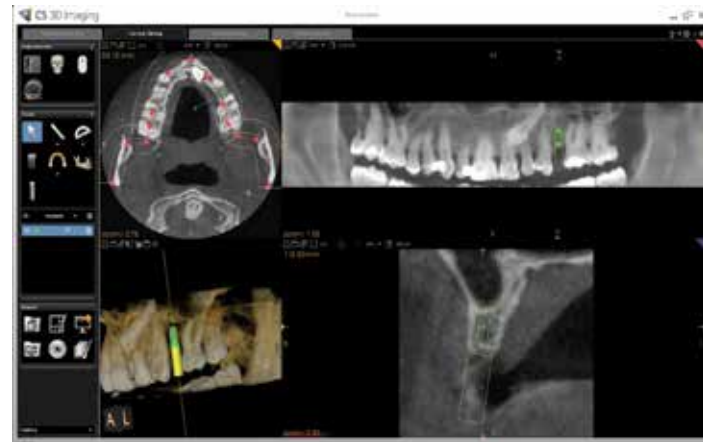


Which field of view is right for your practice?

Explore more at [www.carestreamdental.com](http://www.carestreamdental.com) or call 800.944.6365

## Finally, a unit that meets all of your clinical imaging needs

With up to seven selectable fields of view and image resolution up to 90µm, the CS 9300 gives you greater versatility and the ability to collimate the field of view to suit your patients' every diagnostic need. With multi-modality panoramic, 3D and optional cephalometric imaging with exceptional detail and range, the CS 9300 is the perfect all-in-one system for your practice. Now, you can select the ideal field of view every time.



- Multiple fields of view ranging from 5 cm x 5 cm to 17 cm x 13.5 cm
- 2D digital panoramic with variable focal trough
- Upgradeable to one-shot 2D cephalometric
- Superb image quality with up to 90µm resolution
- Intelligent dose management through collimation and faster scan time
- Easy, intuitive imaging software makes case review and planning easy



## Which field of view is right for your patients?

Available in two configurations, the CS 9300 offers a choice for every practice, depending on your practice needs and budget. Use the chart below to understand the features and capabilities of the two configurations.

Features & Specifications	Select Configuration	Premium Configuration
Software	Free imaging software with unlimited user licenses	Free imaging software with unlimited user licenses
Hardware	All necessary hardware is included	All necessary hardware is included
Panoramic	2D digital panoramic with variable focal trough	2D digital panoramic with variable focal trough
Cephalometric	Optional	Optional
3D Imaging	✓	✓
3D Field of View size	<ul style="list-style-type: none"> <li>• Focused-field (5 cm x 5 cm)</li> <li>• Single jaw (10 cm x 5 cm)</li> <li>• Dual jaw (8 cm x 8 cm)</li> <li>• Single TMJ (8 cm x 8 cm)</li> <li>• Double Jaw (10cm x 10cm)</li> </ul>	<ul style="list-style-type: none"> <li>• Focused-field (5 cm x 5 cm)</li> <li>• Single jaw (10 cm x 5 cm)</li> <li>• Dual jaw (8 cm x 8 cm)</li> <li>• Single TMJ (8 cm x 8 cm)</li> <li>• Dual jaw (10 cm x 10 cm)</li> <li>• Double TMJ (17 cm x 6 cm)</li> <li>• Sinus (17 cm x 11 cm)</li> <li>• Maxillofacial (17 cm x 13.5 cm)</li> </ul>
Voxel size (µm)	90 to 300	90 to 500
Specialties and Applications	<ul style="list-style-type: none"> <li>• Endodontics</li> <li>• Orthodontics</li> <li>• Periodontics</li> <li>• Prosthodontics</li> <li>• Dental exams</li> <li>• Implant planning (including surgical guide creation)</li> <li>• Impactions</li> <li>• TMJ analyses</li> <li>• Pathology</li> <li>• Routine 2D panoramic exams</li> </ul>	<ul style="list-style-type: none"> <li>• Endodontics</li> <li>• Orthognathics</li> <li>• Periodontics</li> <li>• Prosthodontics</li> <li>• Dental exams</li> <li>• Implant planning (including surgical guide creation)</li> <li>• Oral and maxillofacial surgery</li> <li>• Impactions</li> <li>• TMJ analyses</li> <li>• Sinus exams</li> <li>• Trauma cases</li> <li>• Pathology</li> <li>• Routine 2D panoramic exams</li> </ul>

### Select Configuration



### Premium Configuration

