



TENE



A HOT TUB WITH AN EXTERNAL
HEATER AND LID

OPERATION AND MAINTENANCE MANUAL

Tene Kaubandus OÜ




1 GENERAL INFORMATION

The user and maintenance manual of the product contains information about the manufacturer, intended use, handling, transport, assembly, operational use and maintenance of the product.

This manual should be used as a how-to guide during the operation and maintenance of the product. This manual applies to all models of the TENE hot tub.

The visual appearance of the heater may change over time, but the maintenance and operating instructions are universal for hot tubs and apply to all hot tubs manufactured by Tene Kaubandus.

1.1 SYMBOLS

	DANGER!	Immediate danger!
	CAUTION!	A potentially hazardous situation.
	ATTENTION!	Take notice.

1.2 TERMS

Product – a hot tub with an external heater.

Handling – transporting, installing or performing maintenance work on the product.

Operational use – using the product after correct handling and installation.

Assembly – assembly or installation of different parts.

Transport – moving the product from one location to another. Transport also includes lifting the product or its parts from one location to another.

Residual risks – risks that are present during operational use of the product.

Maintenance – actions related to cleaning, repairing or replacing parts of the product.

Operator – anyone who is associated with transport, handling, installation or maintenance of the product.

Warranty / claims period – the time after the sale when the manufacturer is responsible for the technical condition of the product. The time for submitting claims to the manufacturer is 2 years.

Hot tube – the part of the hot tub filled with water (see Fig. 1).

External heater – heater (see Fig. 2), which is connected to the hot tub to heat the water inside the hot tub.

1.3 WARNINGS

The warranty is valid only when this manual and its requirements are followed. Handling and maintenance may only be performed by operators who have read and understood this manual.

The operators must be at least 18 years of age and must have understood this manual.

The operator must wear safety equipment at all times.

All operations must be stopped immediately if a dangerous situation arises during handling or operational use of the product. The rescue service must be notified if necessary. All assembly and maintenance operations must be done by qualified and skilled operators.

During the handling, installation, maintenance, and operational use of this product and its different parts, all necessary state laws/regulations must be considered (in addition to the content of this manual) to ensure the safety of users and the validity of the warranty.

No warranty is provided against damage resulting from modification of the product or use of non-original parts not approved by the manufacturer. Please contact the manufacturer regarding any questions about this manual.

1.4 MANUFACTURER'S INFORMATION

Tene Kaubandus OÜ

www.tene.ee




Registry code: 10430670

Lihula mnt 22b 90510, Haapsalu, phone in Estonia: +372 472 2000

E-mail: info@tene.ee

2 INTENDED USE

The hot tub is intended for use only outdoors and can be used all year round. Water in the hot tube is heated with an external heater included in the set of the hot tube.

	DANGER!	Using the product indoors is strictly prohibited. Non-compliance with this requirement can result in serious injury or death.
	ATTENTION!	Using the product for unintended purposes may damage property or the product or cause health hazards.
	CAUTION!	The use of non-original parts may damage the product and pose a threat to human life.

3 TRANSPORT, ASSEMBLY AND INSTALLATION

3.1 TRANSPORT

The hot tub must be transported in an upright position.

Before opening the packaging, make sure that it is not damaged. If you notice any damage, please record it on the transport document (delivery note).

The weight of one packaging is approximately 39,4-47,2 lbs (250–300 kg depending on the model).

Before assembling and installing the product, please remove the film and cardboard packaging from the product.

At least three people are needed to lift the hot tub into the correct position. If possible, use a lifting device.

3.2 ASSEMBLY AND INSTALLATION

The package contains the following parts:

1. Hot tub made of PE plastic (polyethylene plastic)
2. Dome lid of the hot tub
3. External heater
4. Chimney (in two parts)

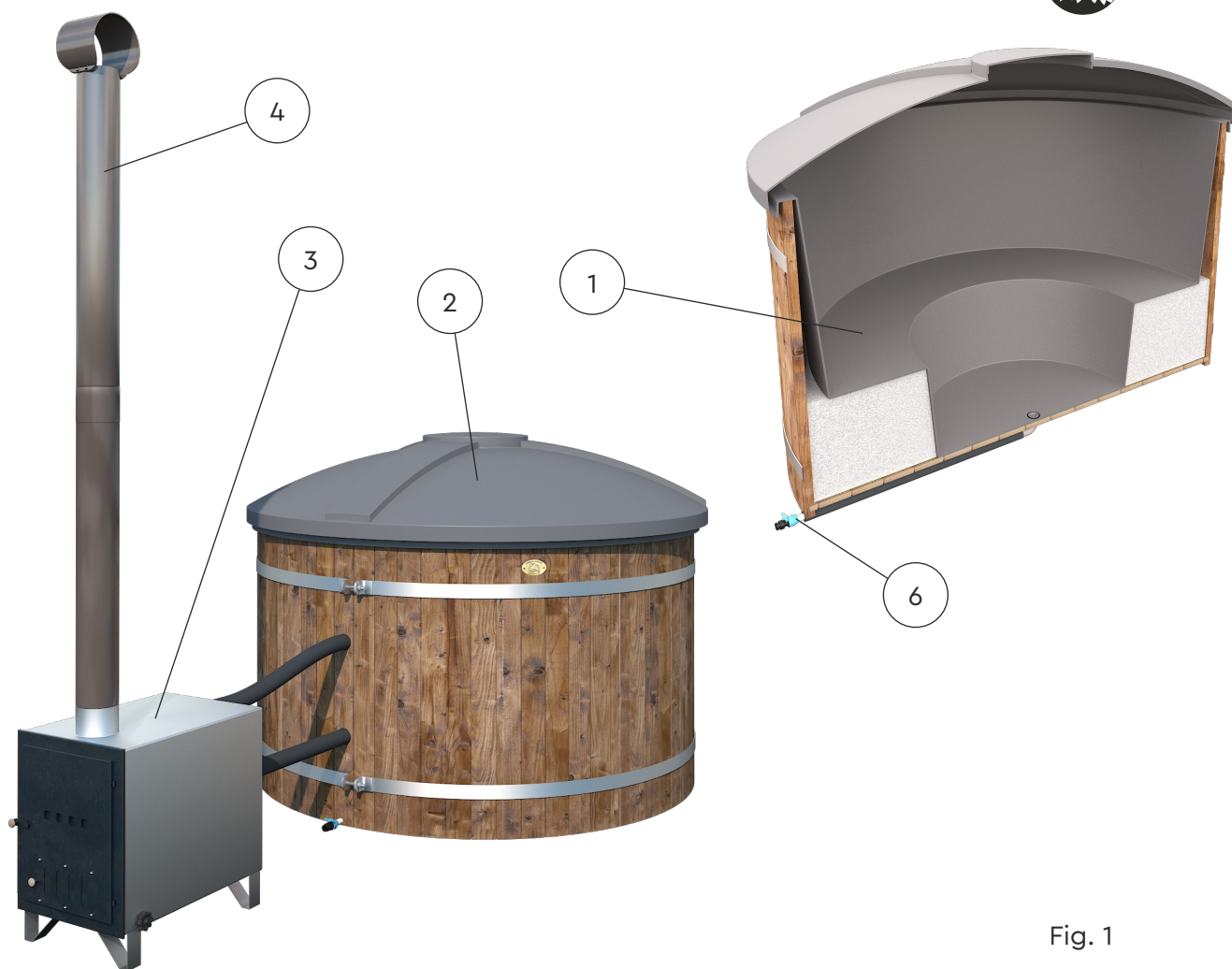


Fig. 1

1. Chimney opening
2. Door of the heater
3. Latch of the heater door
4. Ventilation opening
5. Drain plug of the heater
6. Drain tap of the hot tub see Fig. 1

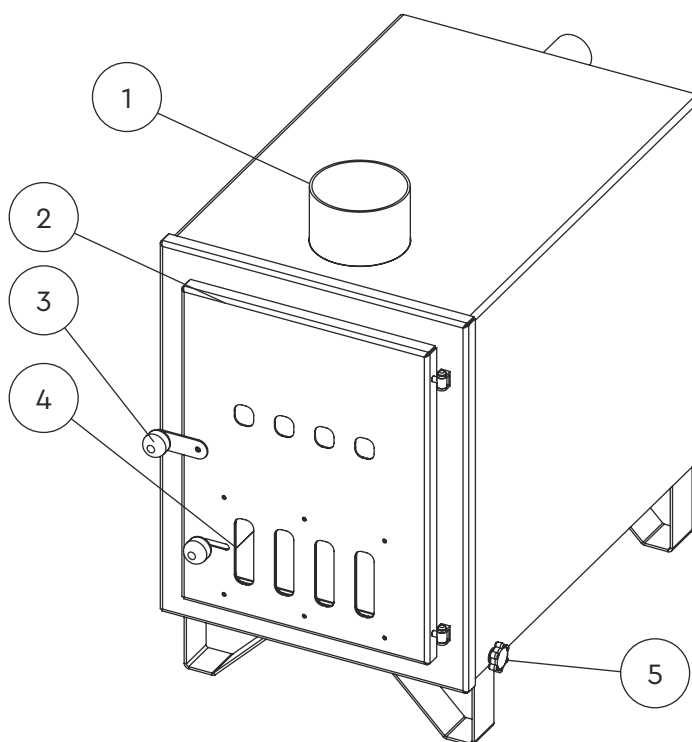


Fig. 2

3.3 FIRE SAFETY

Make sure that the heater and chimney are not near trees or other flammable items/objects. It is recommended to use an additional metal plate in front of the heater to avoid the risk of ignition. The local rescue service should be consulted when choosing a safe distance.

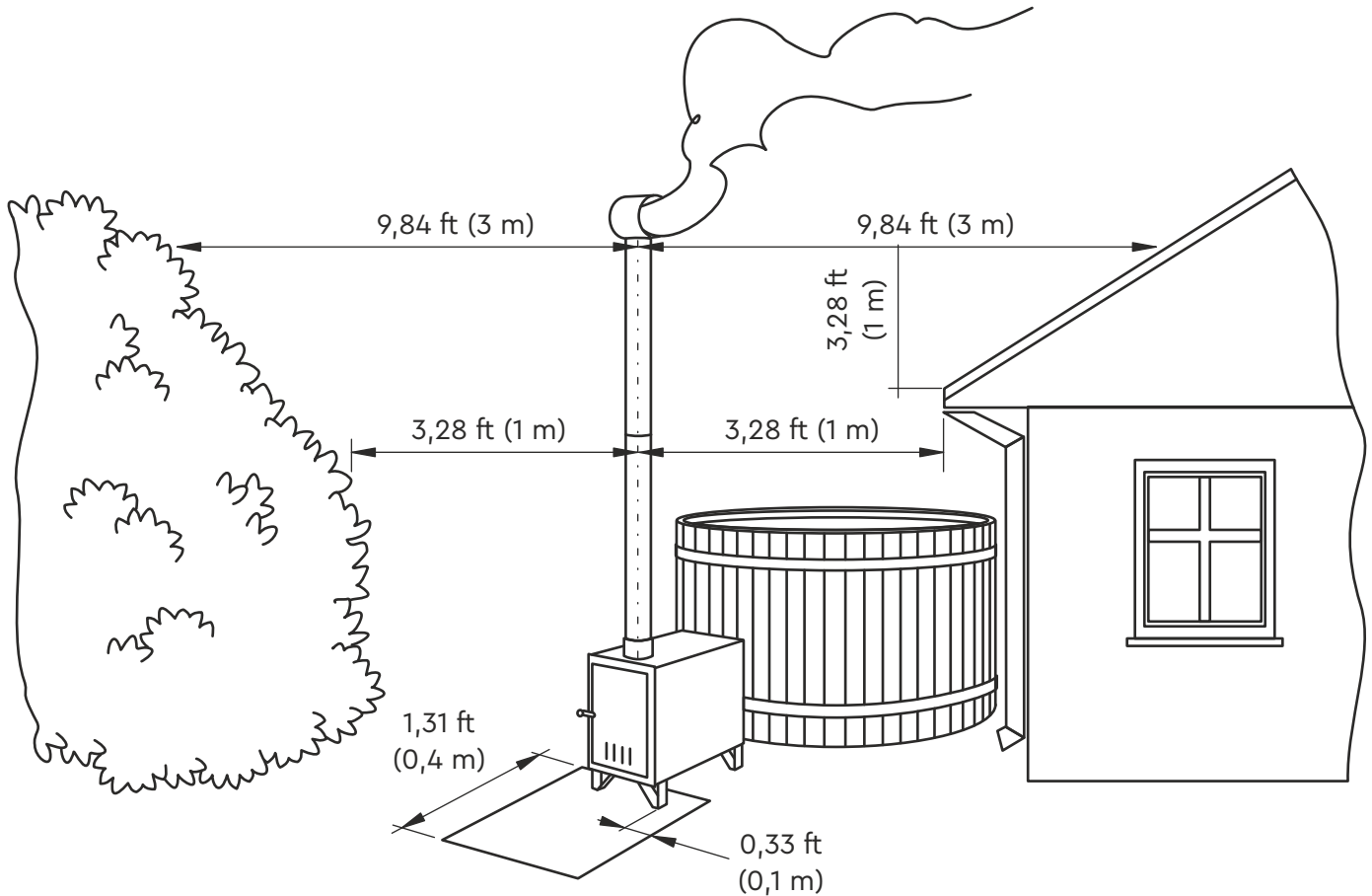


Fig. 3

3.4 ASSEMBLY

Before connecting the hoses to the heater, release the hose clamps and then press the hoses firmly onto the pipes located behind the external heater. Use liquid soap or another suitable lubricant to facilitate the process. An overlap of at least 1,57 in (4 cm) must be achieved.

Before filling the hot tub with water, make sure that the drain plug is closed. When filling the hot tub with water for the first time, debris may come out of the heater.

Follow the installation order described in this manual.

The correct order of assembly work is as follows:

- Remove the plastic and cardboard packaging from the different parts.
- Install the hot tub on a hard, flat, pre-prepared surface.
- The external heater must be installed on the same surface and height as the hot tub. See Fig. 4.
- Attach the flexible hoses (2 pcs.) to the metal pipes on the back of the external heater. An overlap of at least 4 cm must be achieved.
- Tighten the clamps (4 pcs.). See Figures 5 and 6.
- Close the tap of the hot tub and cap of the external heater (the drain plug of the external heater is inside the external heater). See Figures 9 and 10.
- Install a chimney on the external heater. (The chimney consists of two parts that must be connected). See Figures 7 and 8.
- Fill the hot tub with water.

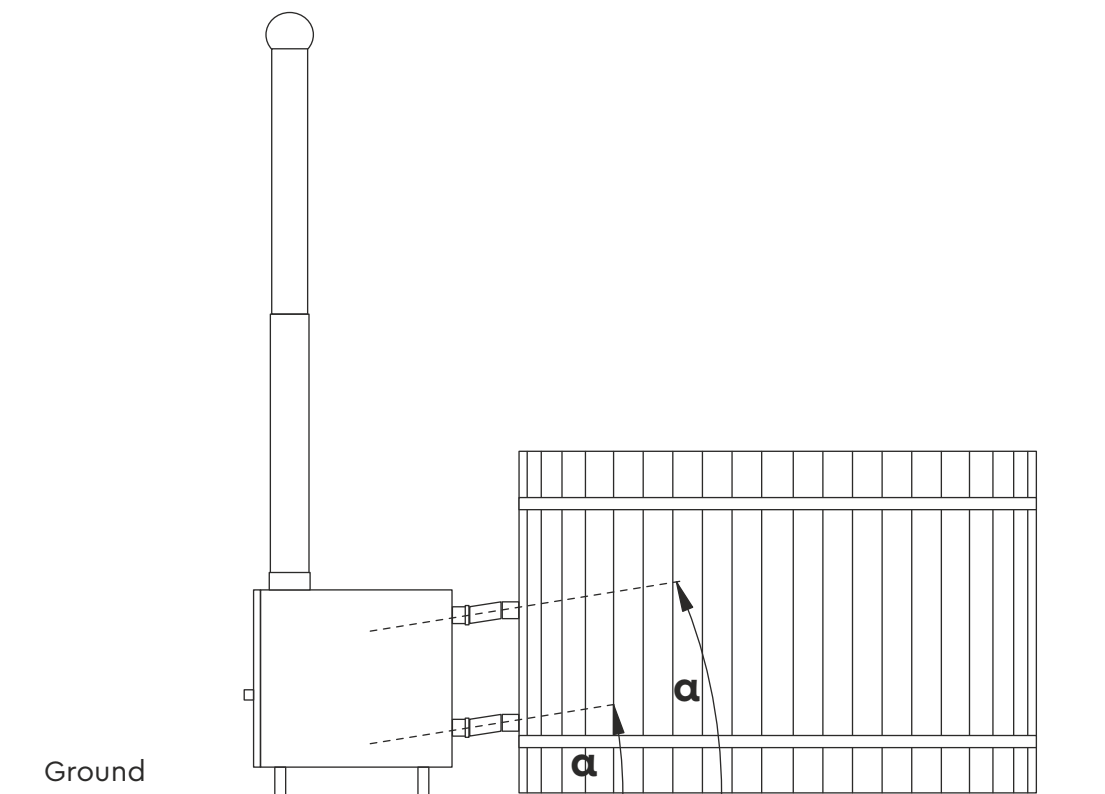


Fig. 4

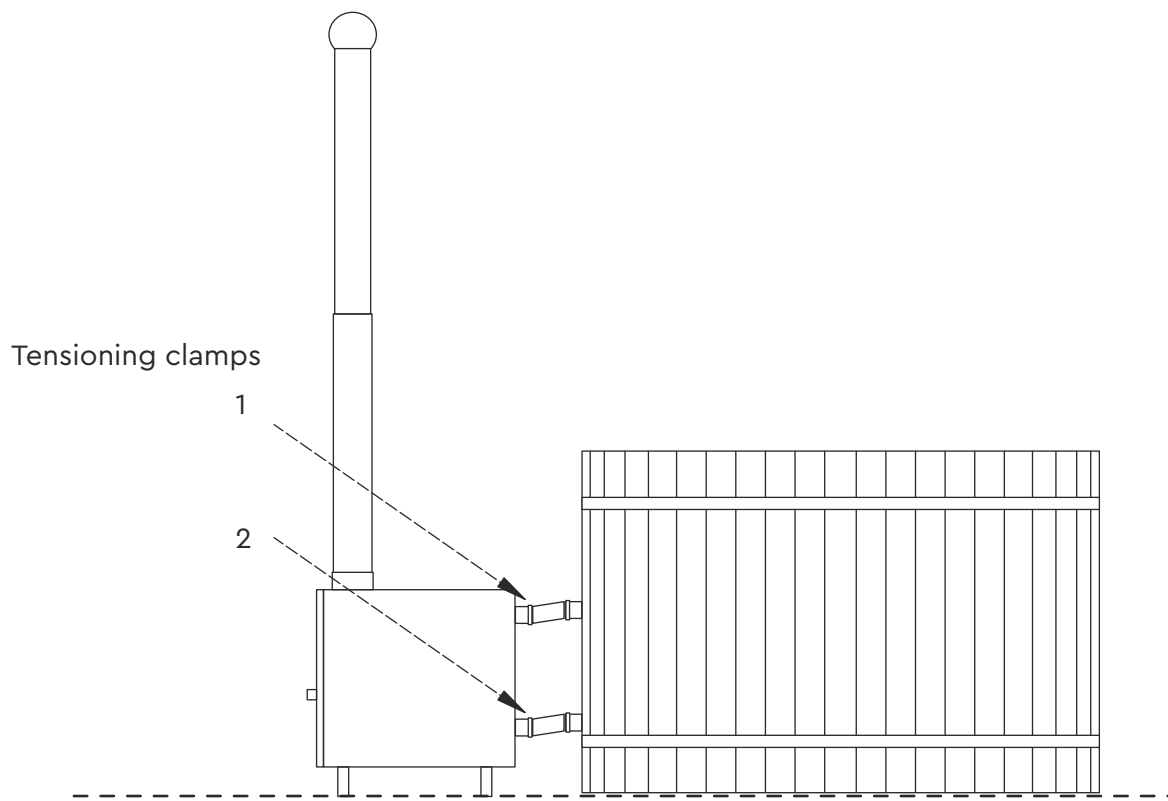


Fig. 5

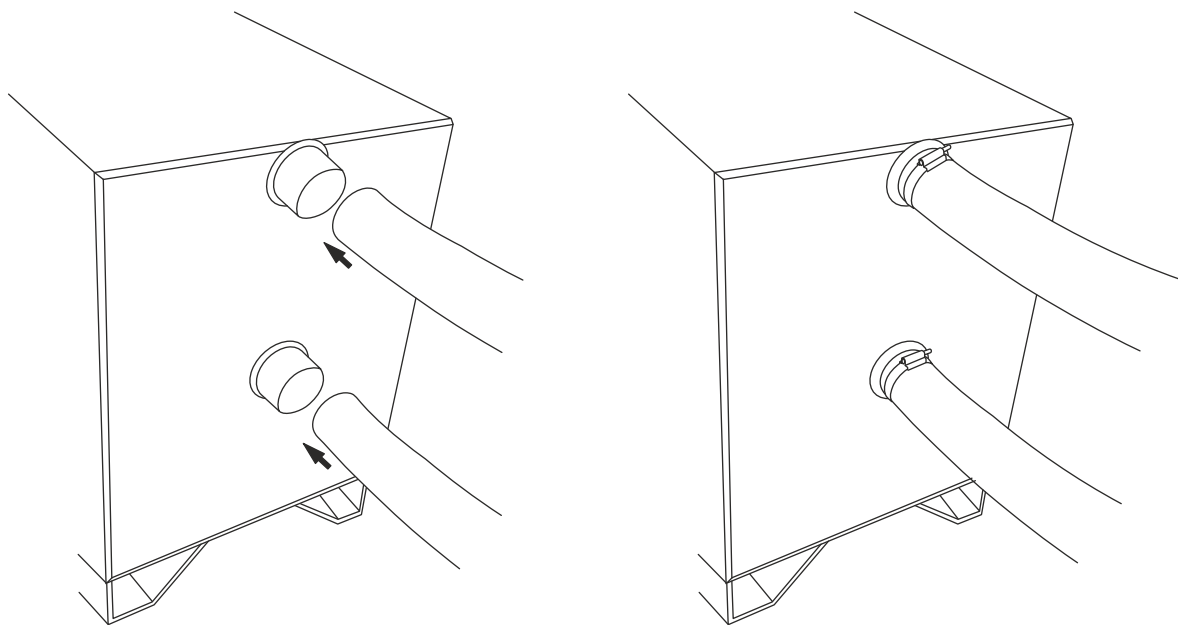


Fig. 6

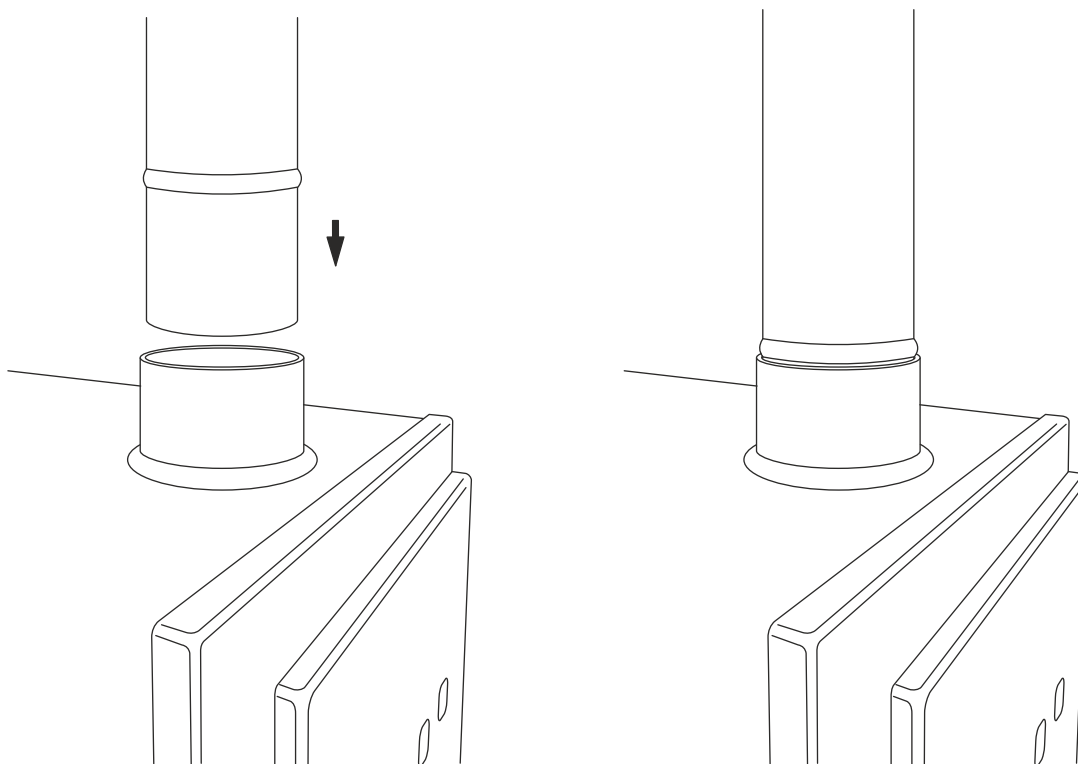


Fig. 7

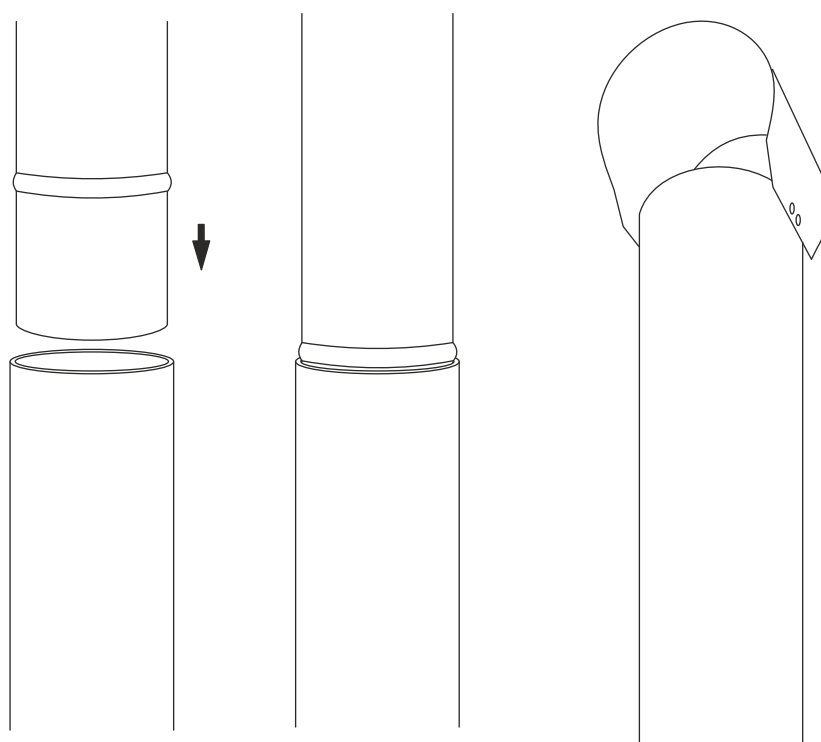


Fig. 8

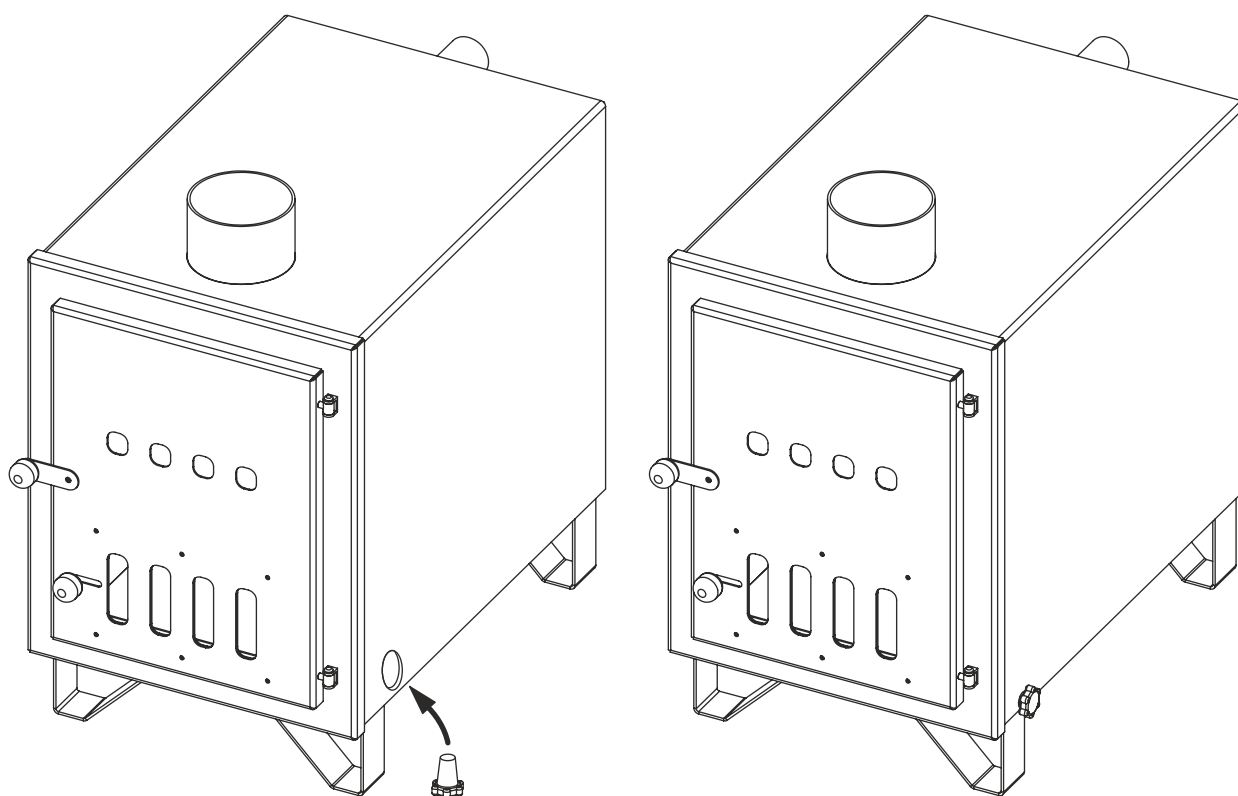


Fig. 9

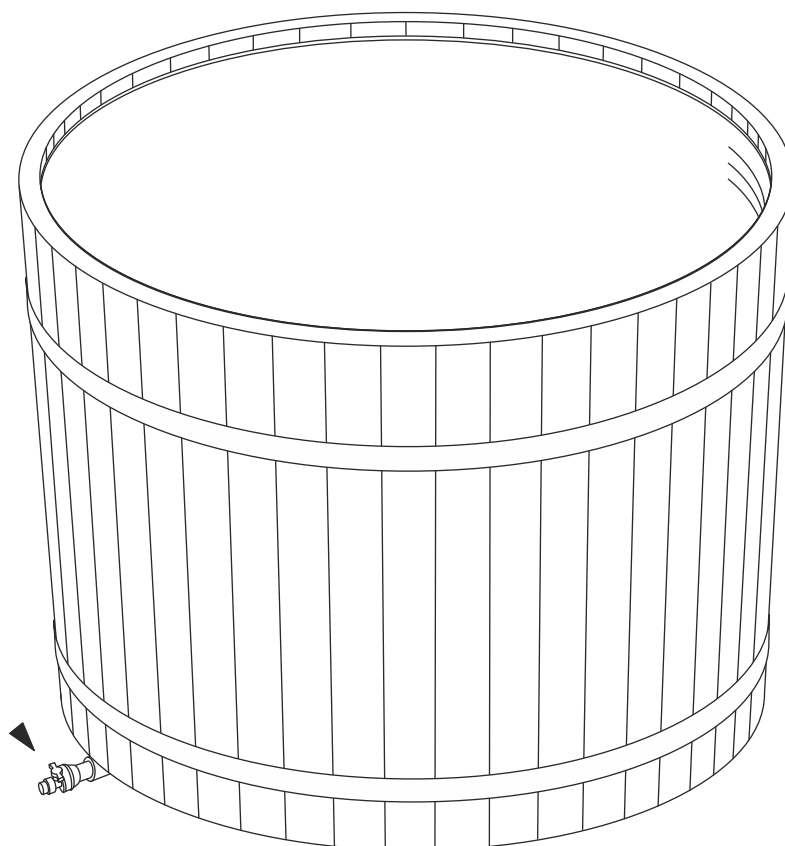


Fig. 10





4 USAGE

Before using the external heater of the hot tub, review this manual and check the following aspects.

1. Make sure installation work has been carried out correctly (following this manual).
2. Prior to lighting a fire in the heater, please ensure that the hot tub is filled so that the water level is at least 1,97 in (5 cm) above the upper hose of the heater.
3. Make sure that the hot tub and drain plugs of the heater are closed.
4. Make sure the hot tub does not leak.
5. Make sure the hoses are properly connected.
6. Make sure that the hot tub, external heater and their connecting hoses are properly installed. See Figures 5 and 6.

Condensation (water droplets) may form in the heater when you start heating. This does not indicate a leak.

When using the heater (if the fire is already lit in the heater), the heater door should only be opened to add wood.

	DANGER!	Leaving the door of the external heater open after adding wood can cause a fire.
	DANGER!	The fire in the external heater of the hot tub must not be ignited until the tub is filled with water.
	DANGER!	The use of flammable liquids and other similar liquids or solids is strictly prohibited. This is dangerous to human life and will damage the product.
	CAUTION!	It is forbidden to place objects on the external heater. Risk of fire!

The external heater and chimney are hot during heating and for a few hours after heating. It is forbidden to touch these parts with bare hands during use. To open the door of the heater, grab from the latch of the door of the heater. See Fig. 2.

Only one adult can heat the heater of the hot tub.

Water circulation must be ensured during heating the external heater. The water must be stirred from time to time to achieve a uniform temperature.

The recommended water temperature is 95-100,4°F (35-38°C). Higher water temperatures can cause health problems.

Do not drain the hot tub until the fire in the heater has been completely extinguished and the ember has cooled down.

When the heater is not in use, the drain plug of the external heater must be in the open position.



The use of chlorine, chlorine-containing and other corrosive chemicals in hot tubs is prohibited.

Do not use abrasive or rough material or sharp objects to clean the hot tub. When the hot tub is not in use, cover it with a lid to protect it from precipitation, dirt and sunlight. It is not allowed to sit, stand or walk on the lid!

In winter, water must not freeze in the heater. Do not light a fire in an already frozen heater!




After each heating, the heater must be cleaned of ash so that the cast iron grate does not become unusable.

Metal enclosures (metal strips) must be tightened / loosened with the help of nuts according to the outdoor conditions. Wood is a natural material that shrinks in dry weather conditions and expands in humid conditions.

	<p>CAUTION!</p>	<p>Use of chlorine or chlorine-containing chemicals will void the warranty.</p>
	<p>CAUTION!</p>	<p>Improper maintenance or use may void the warranty.</p>

5 RESIDUAL RISKS

Residual risks are risks that remain even after the implementation of product safety measures.

	DANGER!	Do not leave children unattended in or near the hot tub. Danger of drowning!
	DANGER!	The external heater and chimney are hot during use! Do not touch with bare hands. Danger of burns!
	DANGER!	Wet surfaces can be slippery. Risk on injuries!

6 MAINTENANCE

The ash box of the external heater must be emptied / cleaned after each use so that the cast iron grate does not become unusable.

It is recommended to clean the hot tub after each use. The hot tub can be cleaned with a pressure washer, and household detergents, cloths and sponges may be used.

The wood finish of the hot tub must be re-treated once a year with a wood preservative.

The door hinges of the external heater must be lubricated twice a year with heat-resistant grease to ensure free movement of the door.

Metal enclosures (metal strips) must be tightened / loosened with the help of nuts according to the outdoor conditions. Wood is a natural material that shrinks in dry weather conditions and expands in humid conditions.

7 RIGHT TO SUBMIT CLAIMS

The buyer has the right to address the seller within two years of purchase if the goods are defective.

The manufacturer does not cover flaws such as colour changes, problems caused by humidity, cracks, etc. which are common to wooden materials.

The manufacturer does not cover discolouration of the plastic parts of the hot tub (fading, scale, etc.) Frost damage is not compensated, as it can be avoided through the correct use of the hot tub.

Damage caused by special situations or other exceptional weather events will not be compensated by the manufacturer.

Normal wear resulting from the use is not reimbursable.

The manufacturer will not compensate for the damage caused by the use of chemicals and chemical overdoses.

Additional costs such as building or taking down the terrace are not subject to be reimbursed under this warranty.

The manufacturer will not reimburse costs if the product is tampered with, repaired or not used for its intended purpose.

The right to appeal becomes void if the product has been stored in the wrong position or in unsuitable conditions.

8 CONTACT

Tene Kaubandus OÜ

www.tene.ee

Address: Lihula mnt 22b 90510, Haapsalu, Estonia

Phone: +372 472 2000

E-mail: info@tene.ee