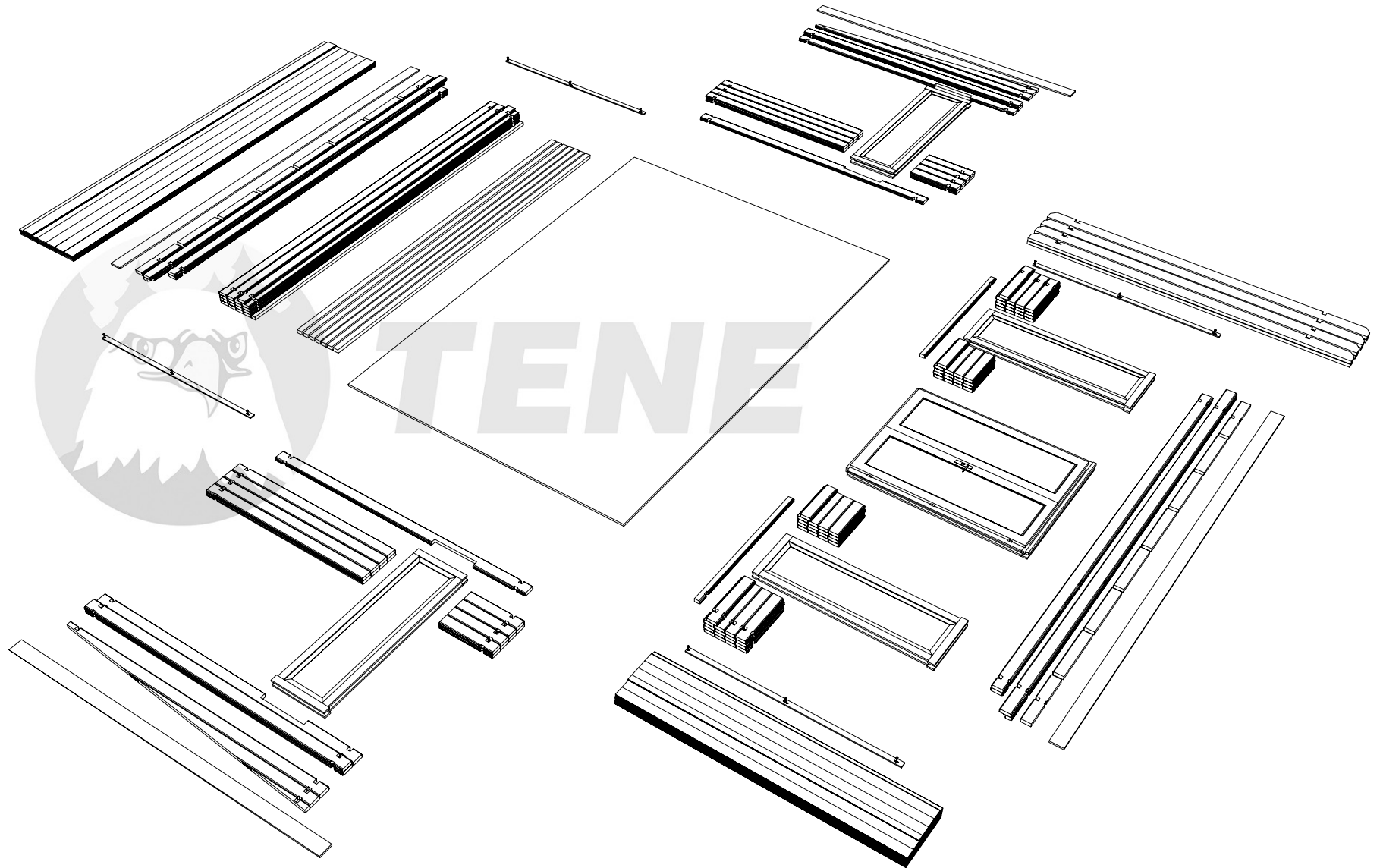
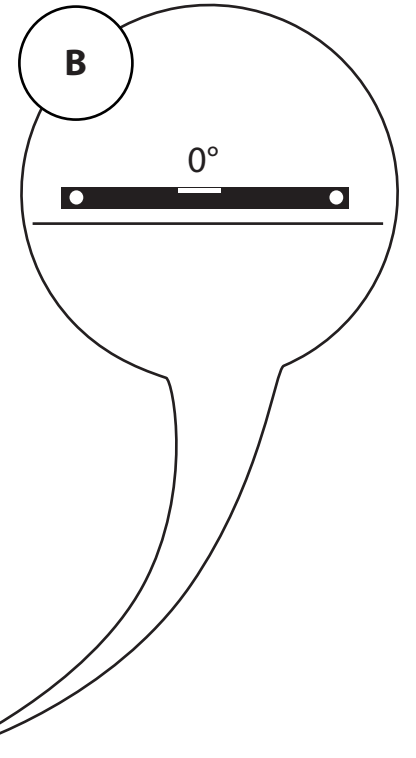
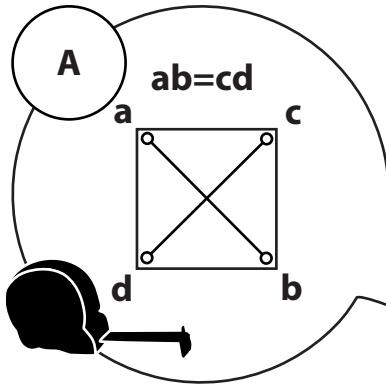


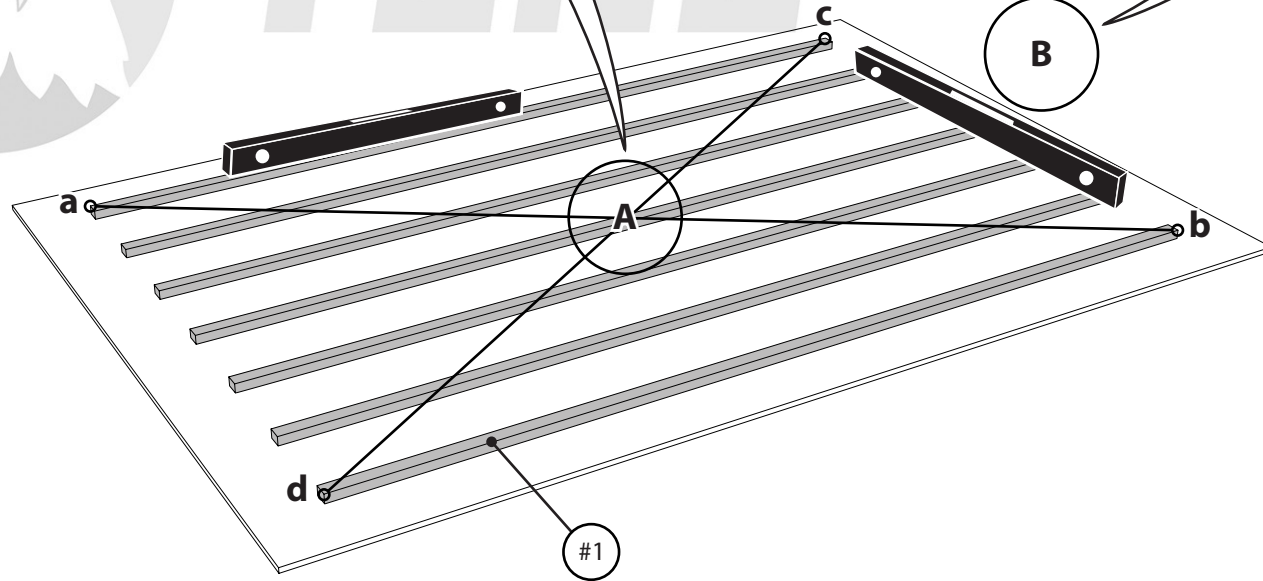
OKLAHOMA



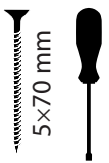
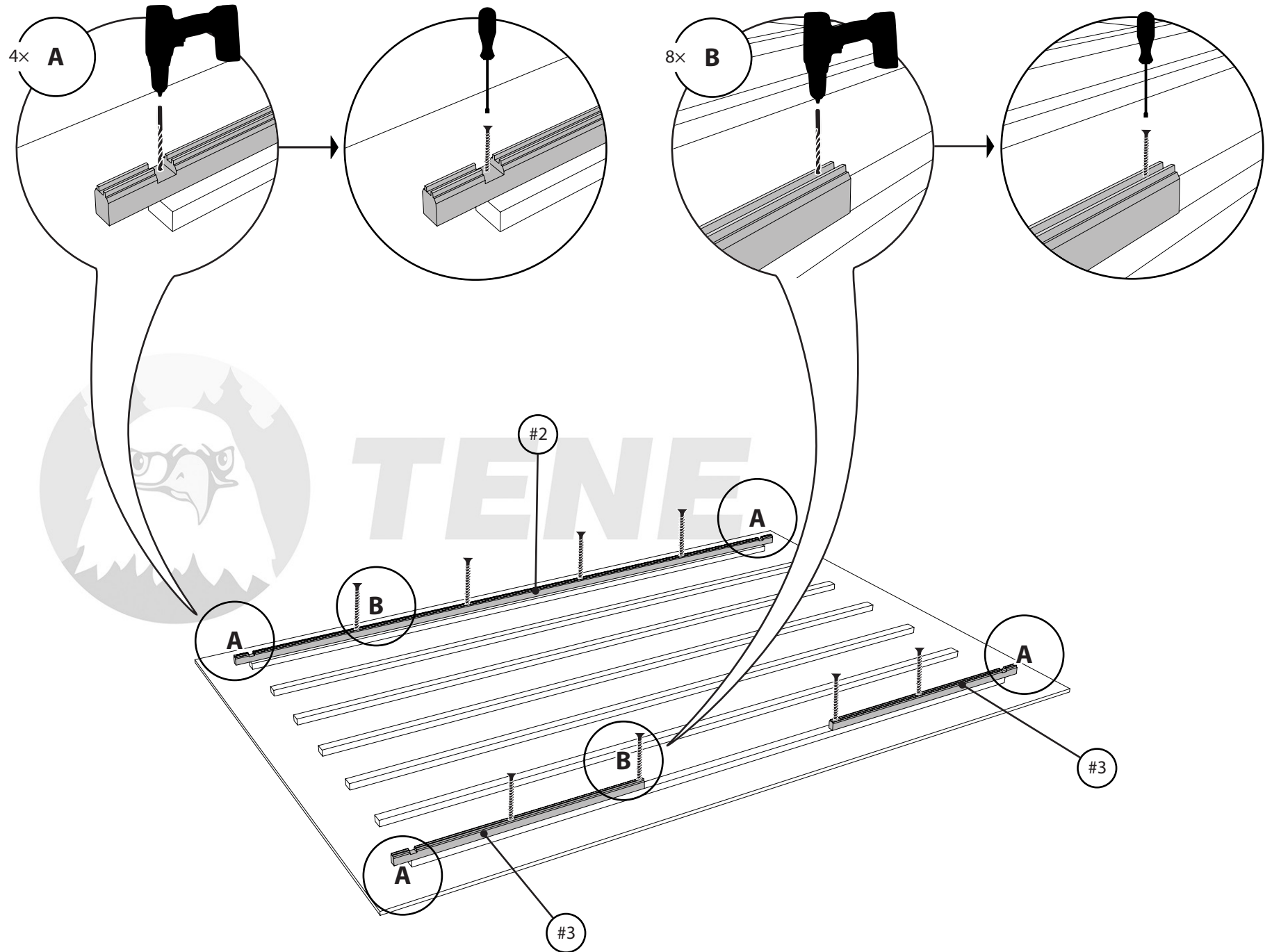
OKLAHOMA



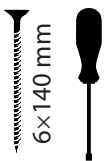
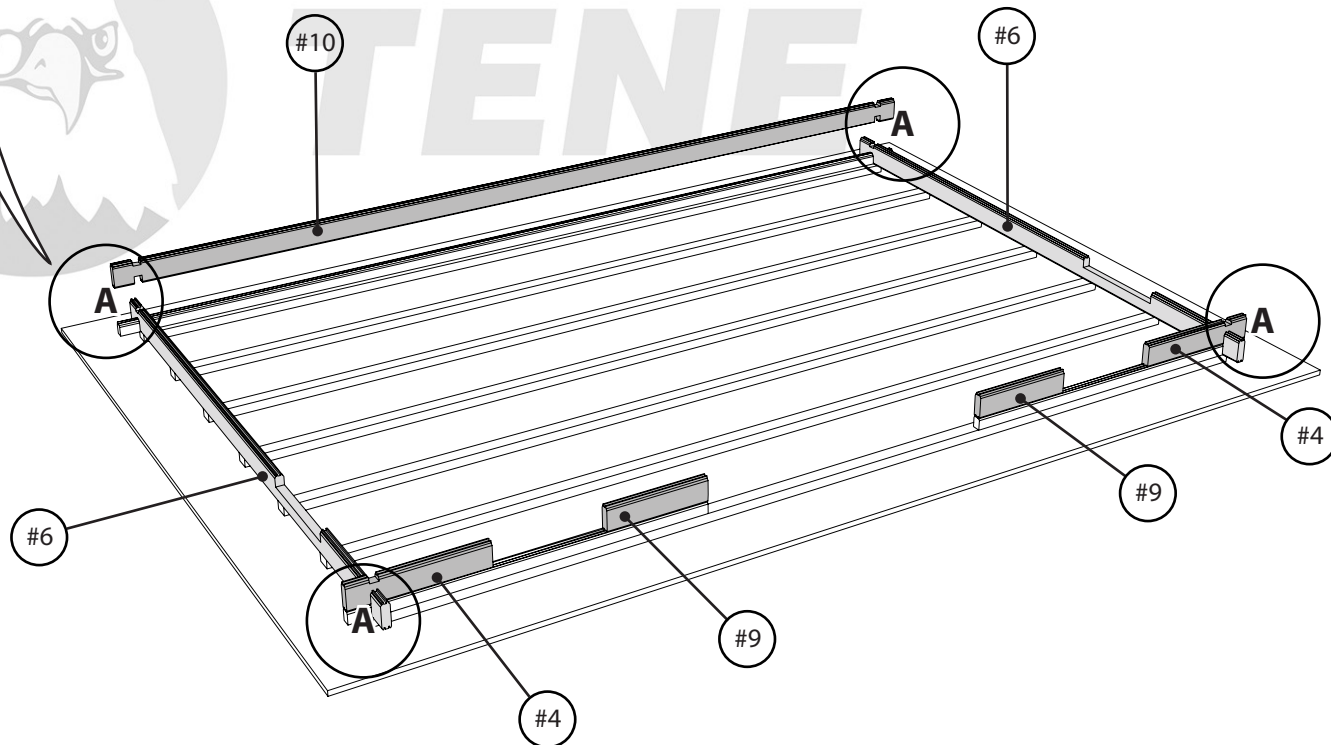
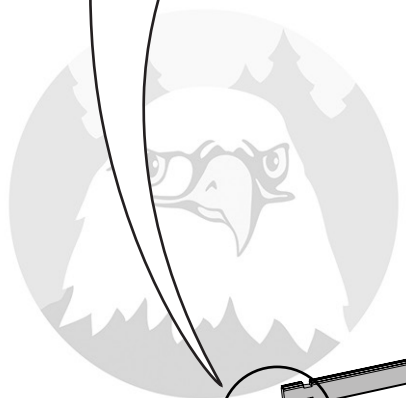
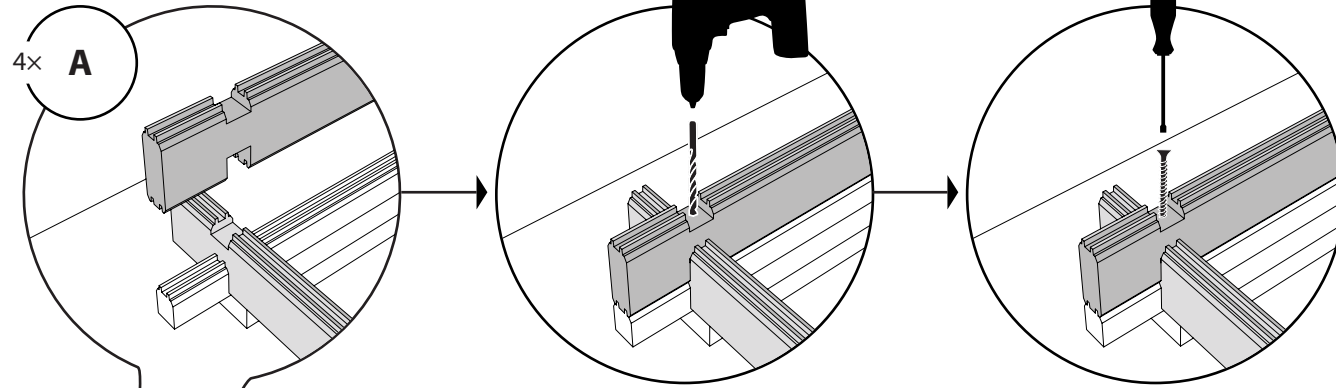
TENNE



OKLAHOMA



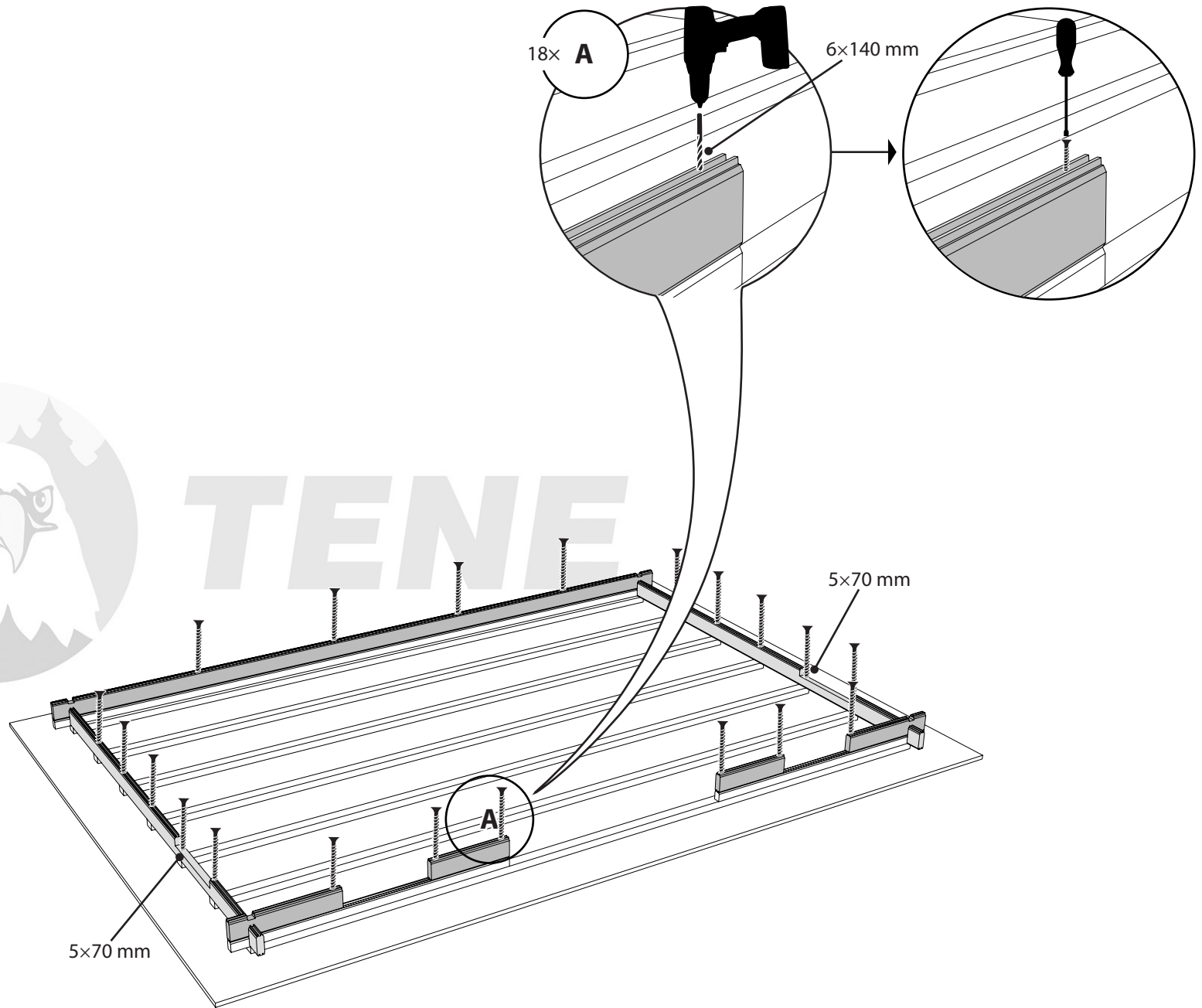
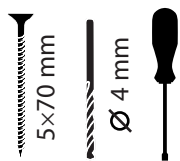
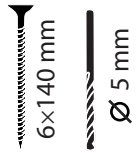
OKLAHOMA



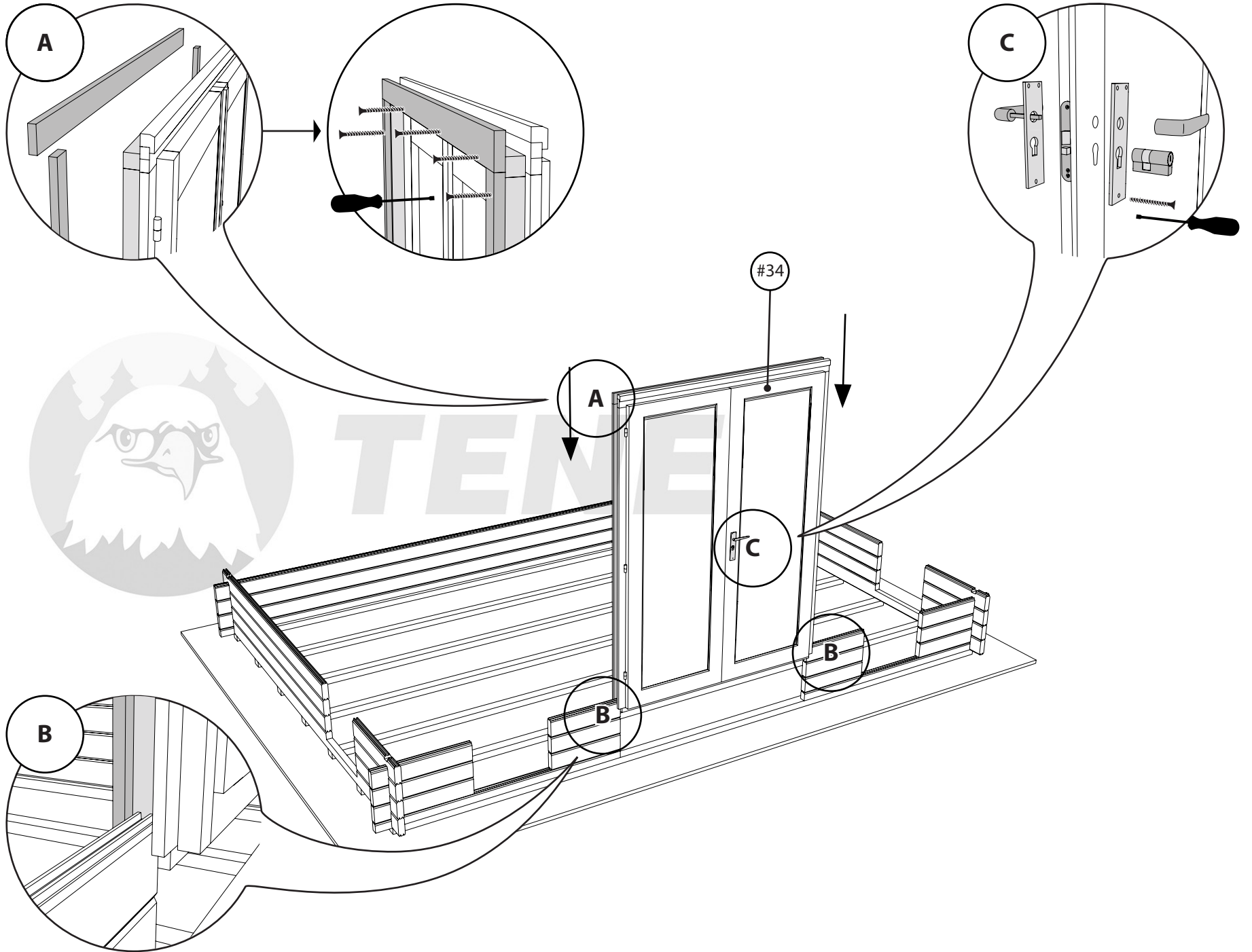
OKLAHOMA



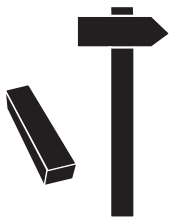
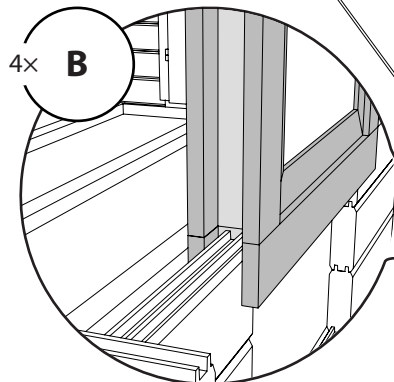
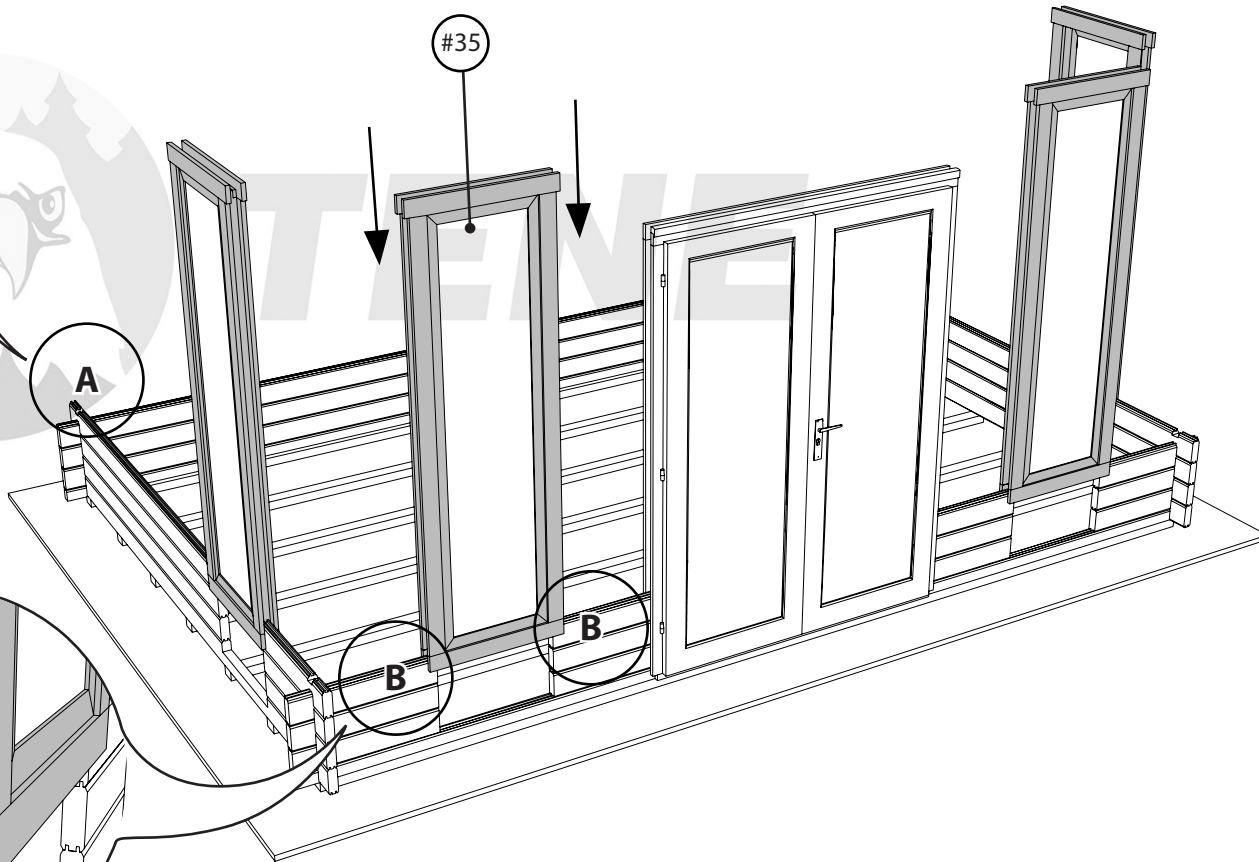
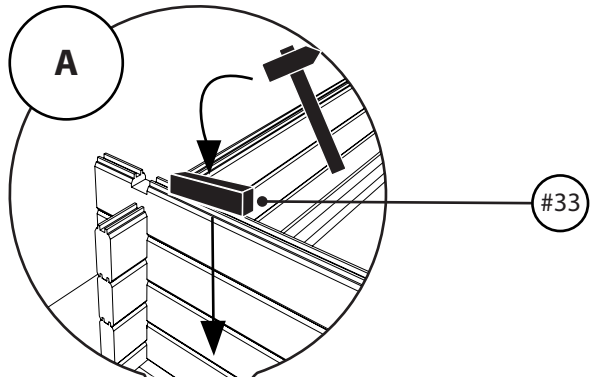
TENE



OKLAHOMA

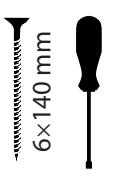
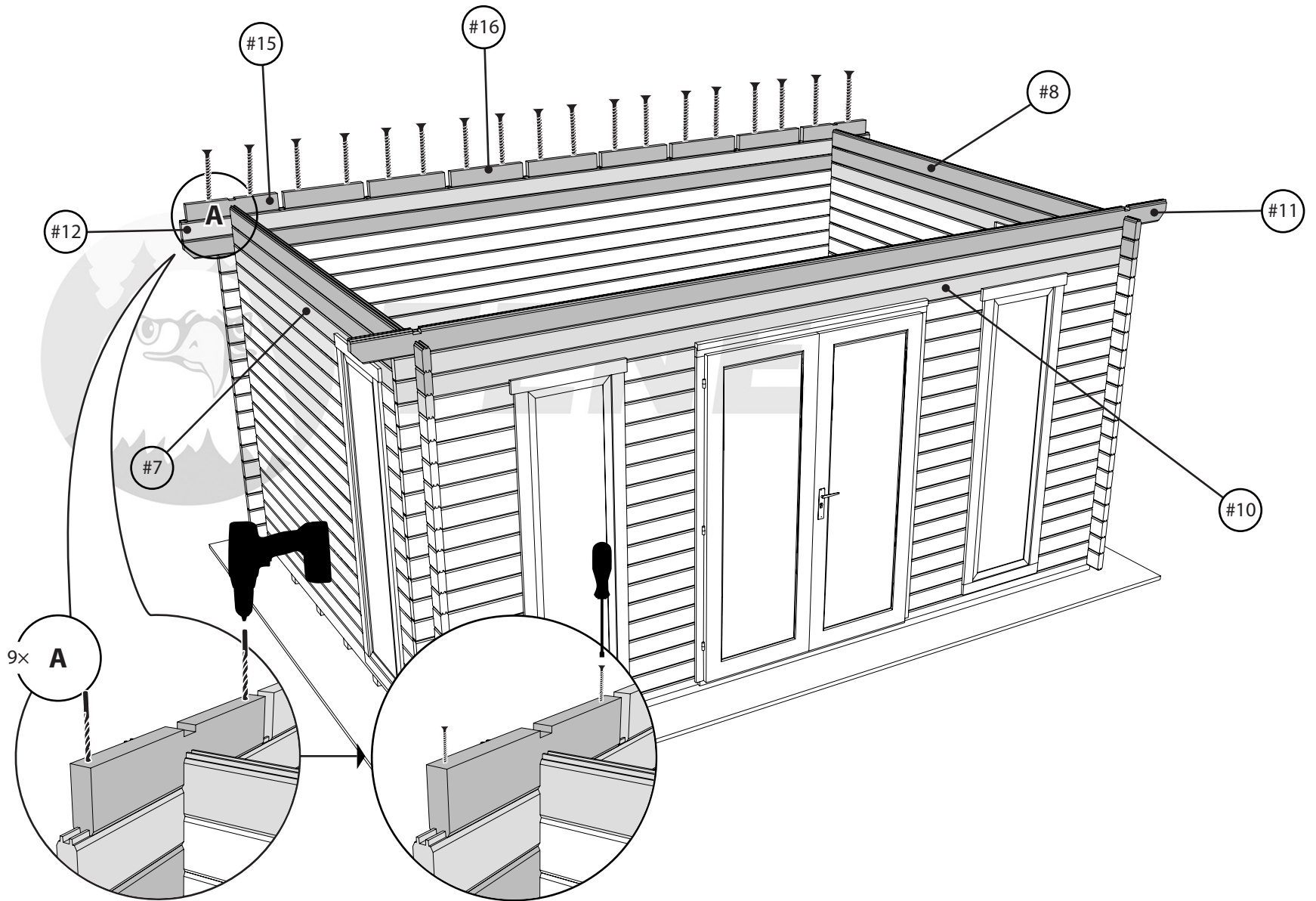


OKLAHOMA





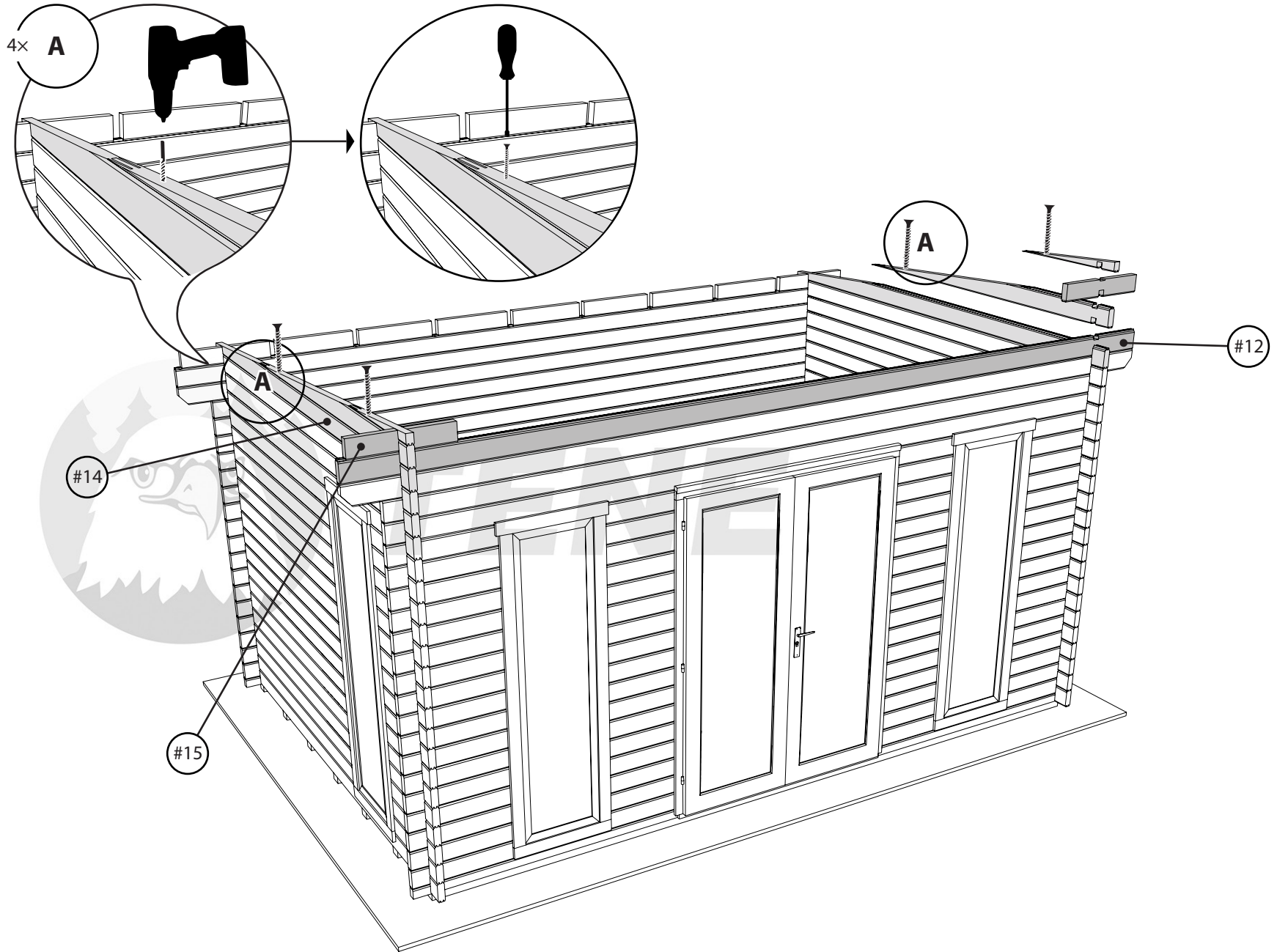
OKLAHOMA



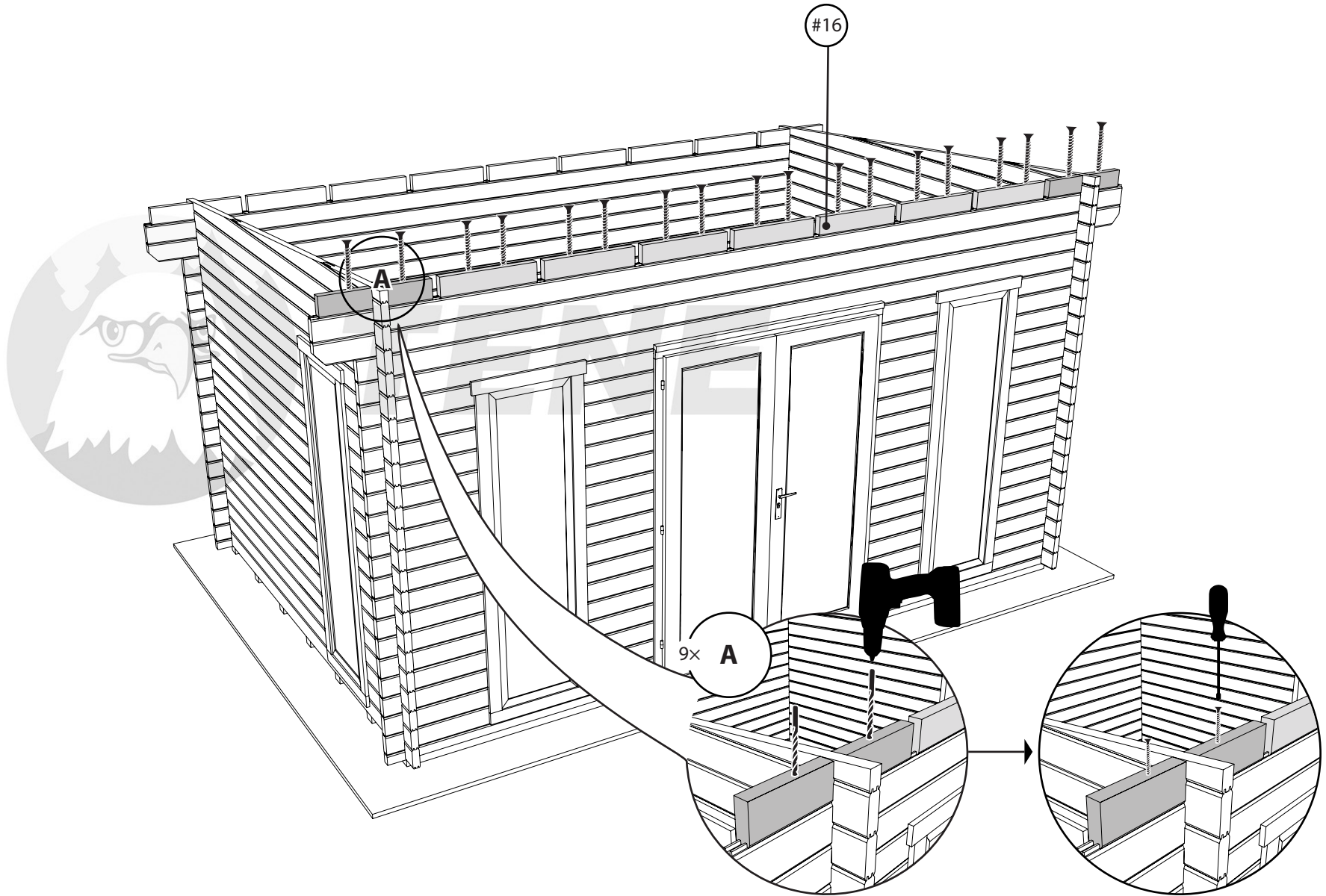
9x A



OKLAHOMA



OKLAHOMA

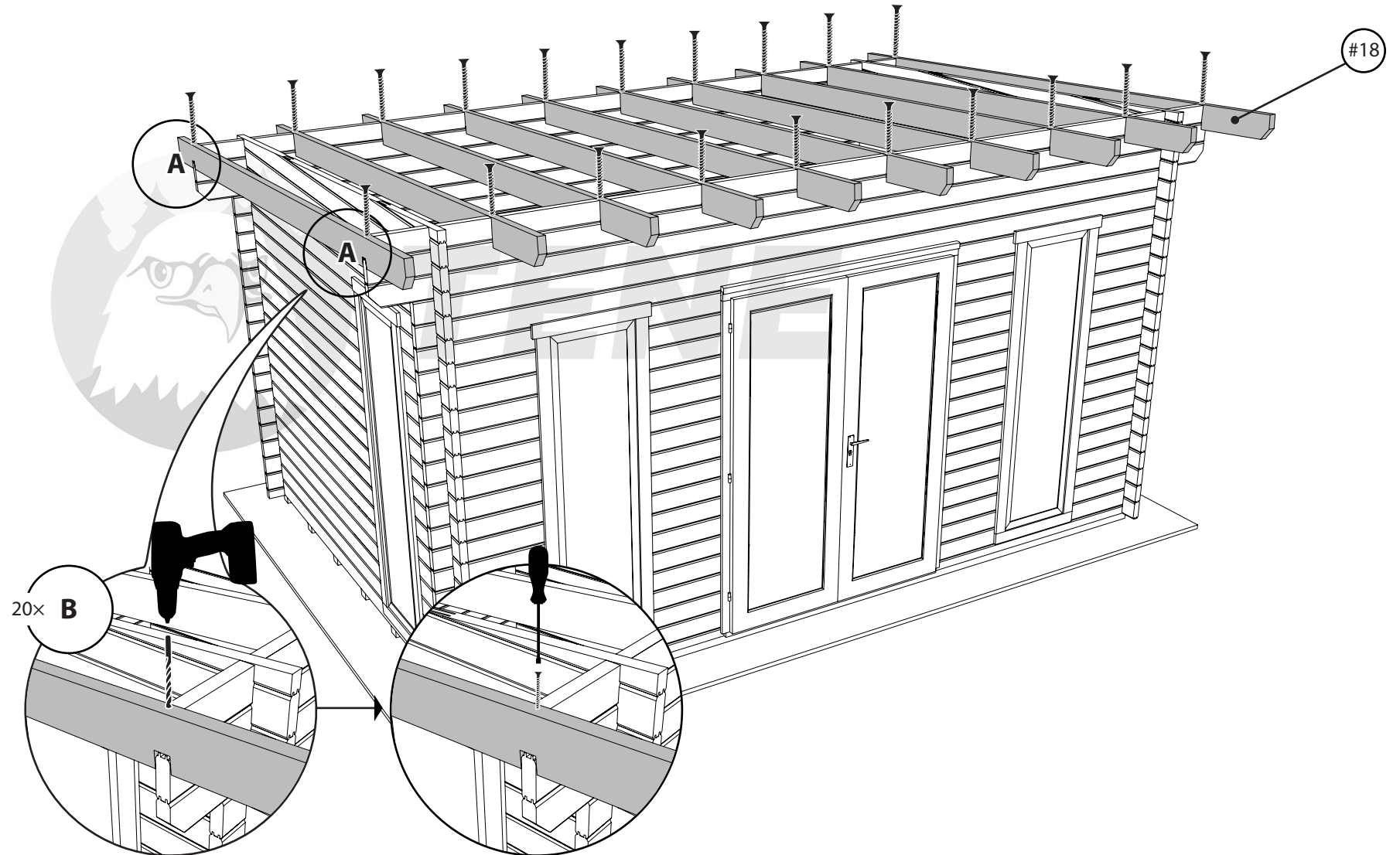


Ø 5 mm

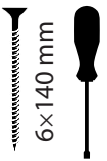


6x140 mm

OKLAHOMA

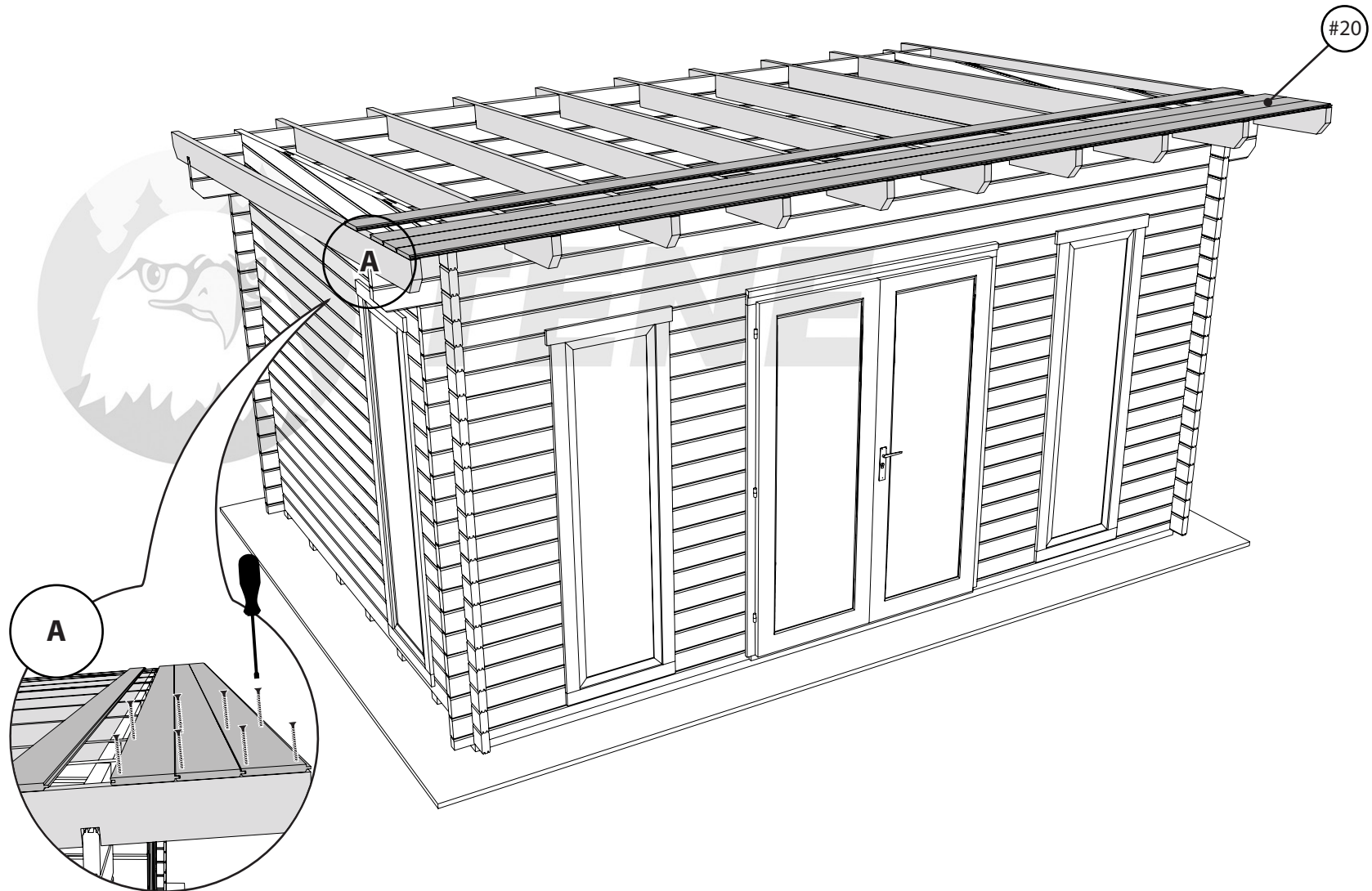


Ø 5 mm

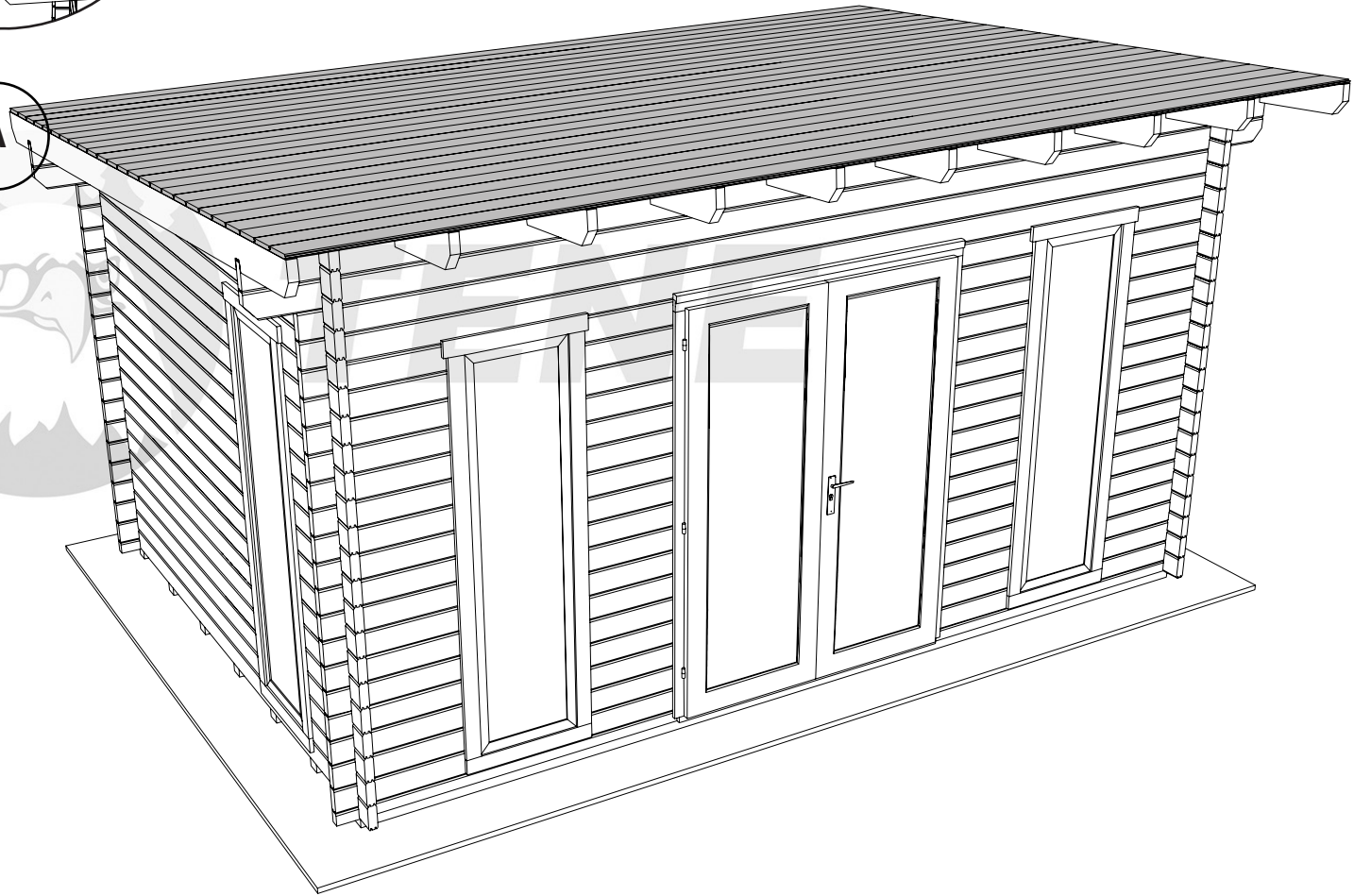
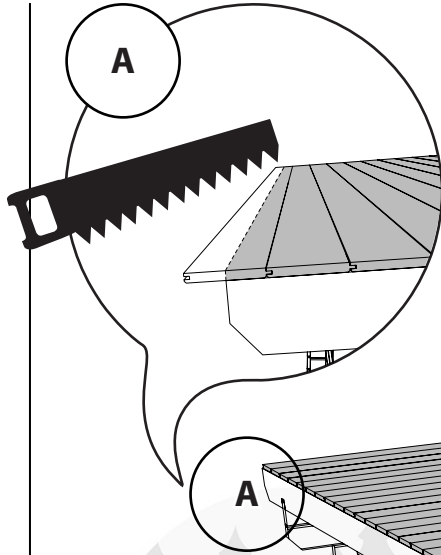


6x140 mm

OKLAHOMA

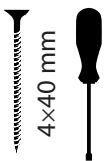
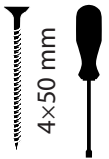
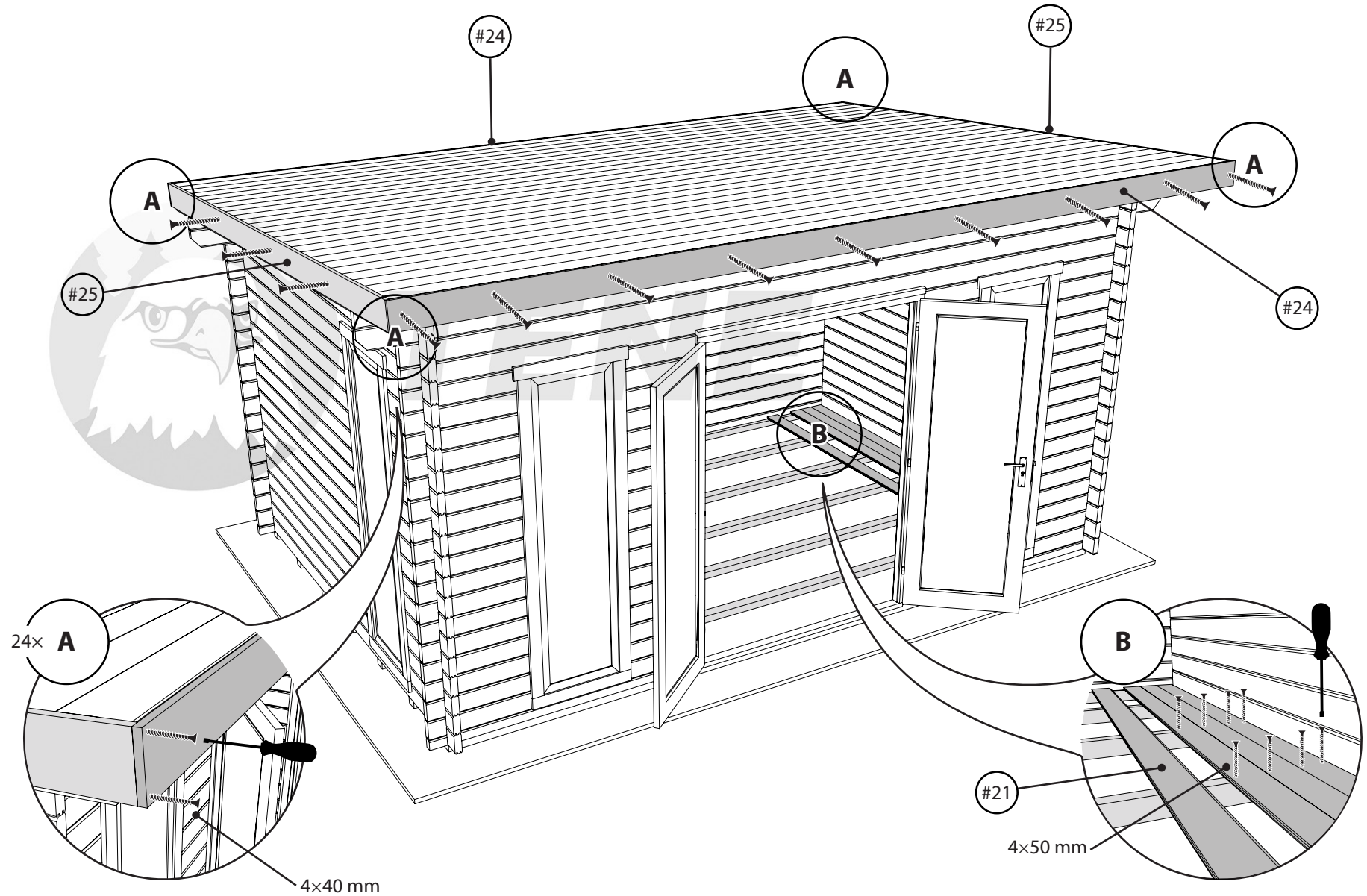


OKLAHOMA

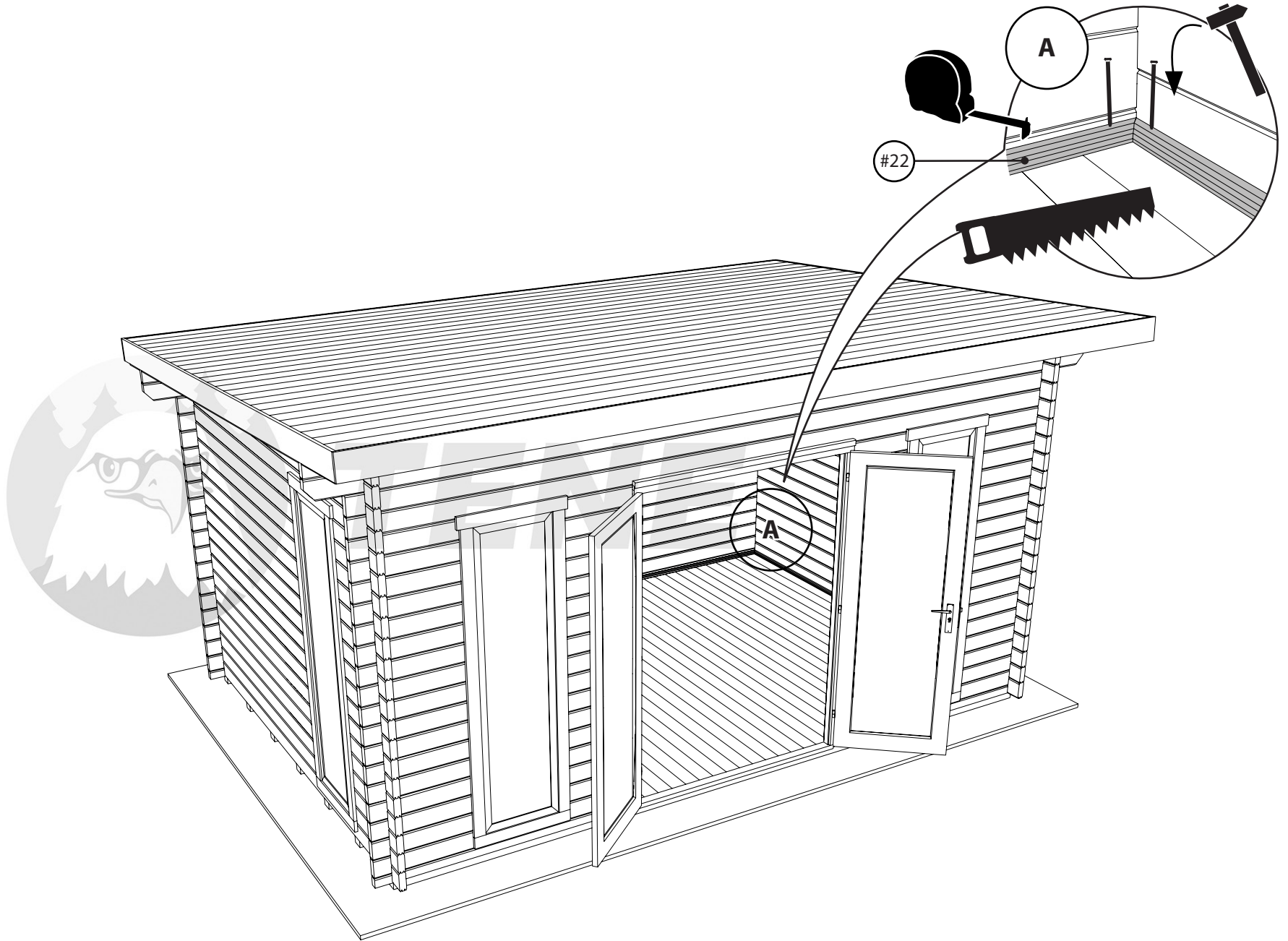
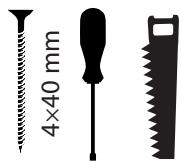




OKLAHOMA

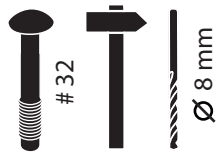
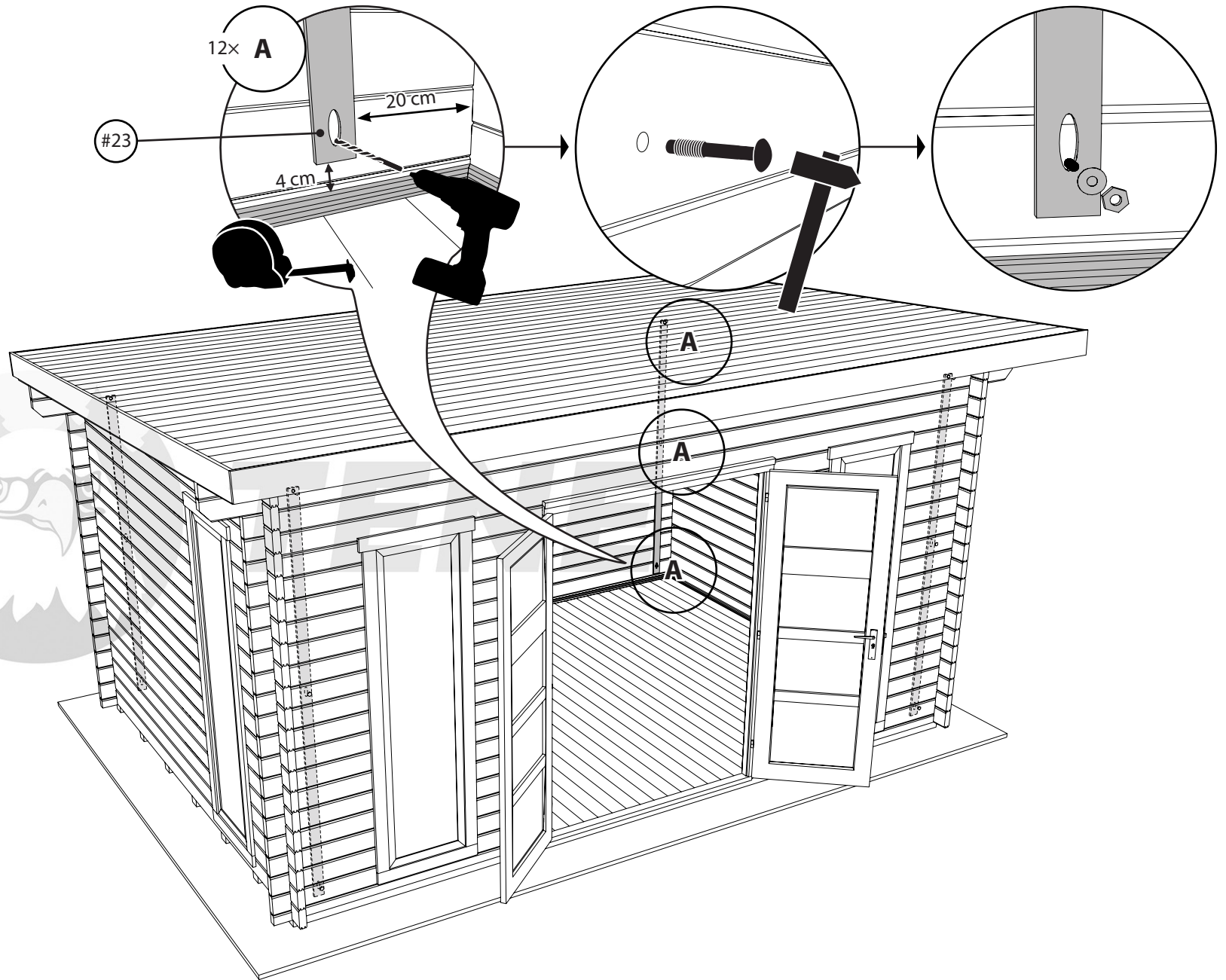


OKLAHOMA





OKLAHOMA



OKLAHOMA

