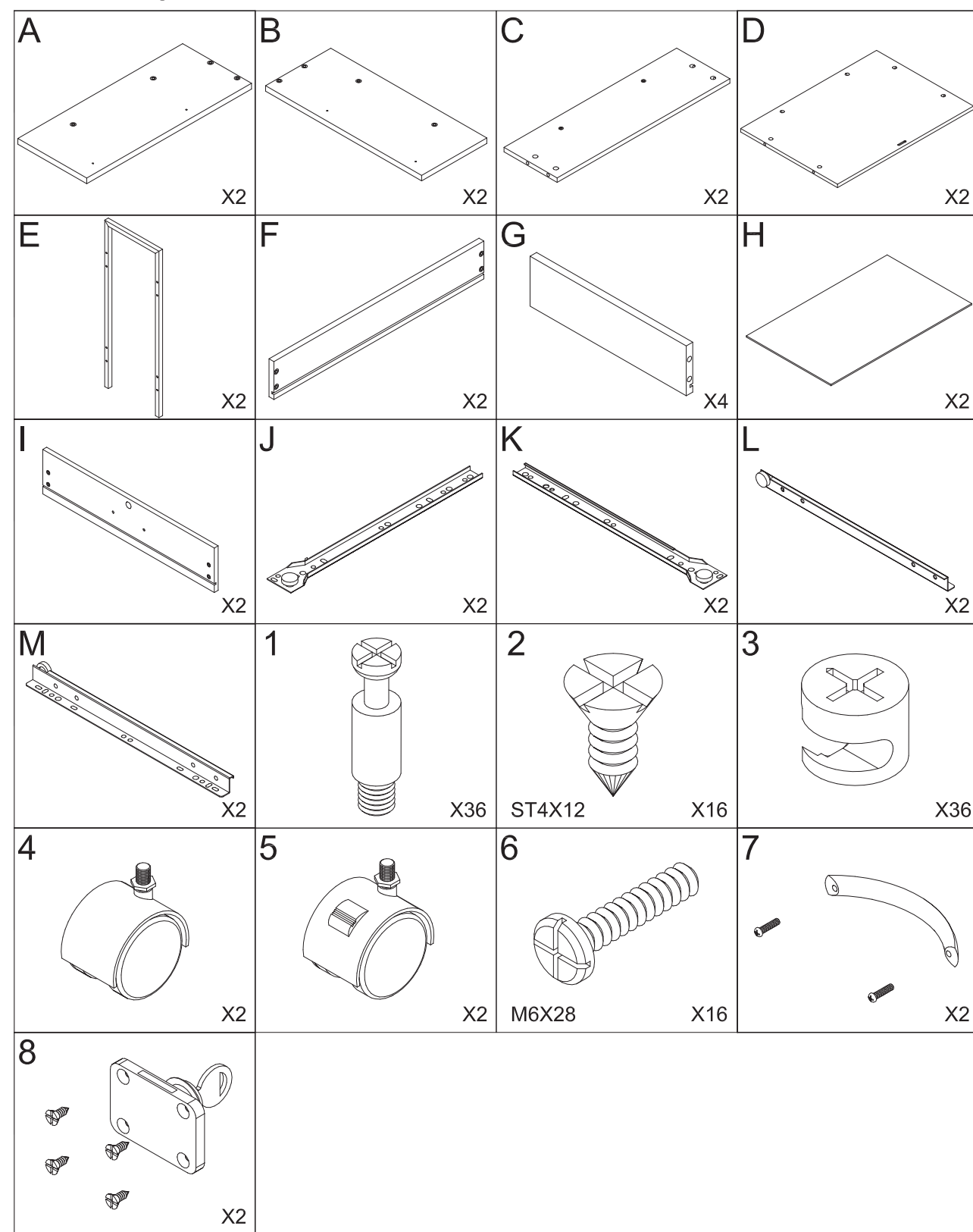
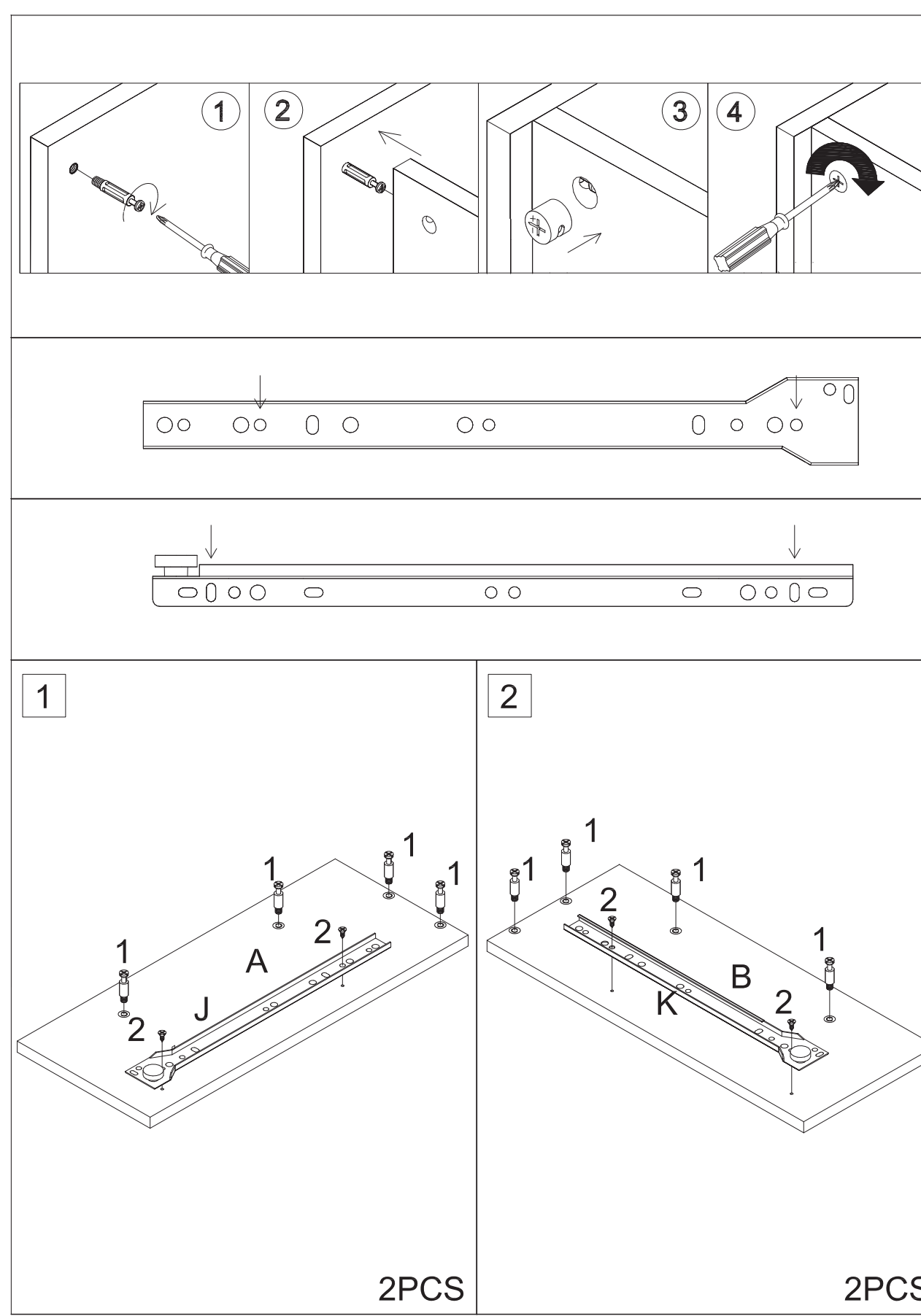


Assembly Instructions

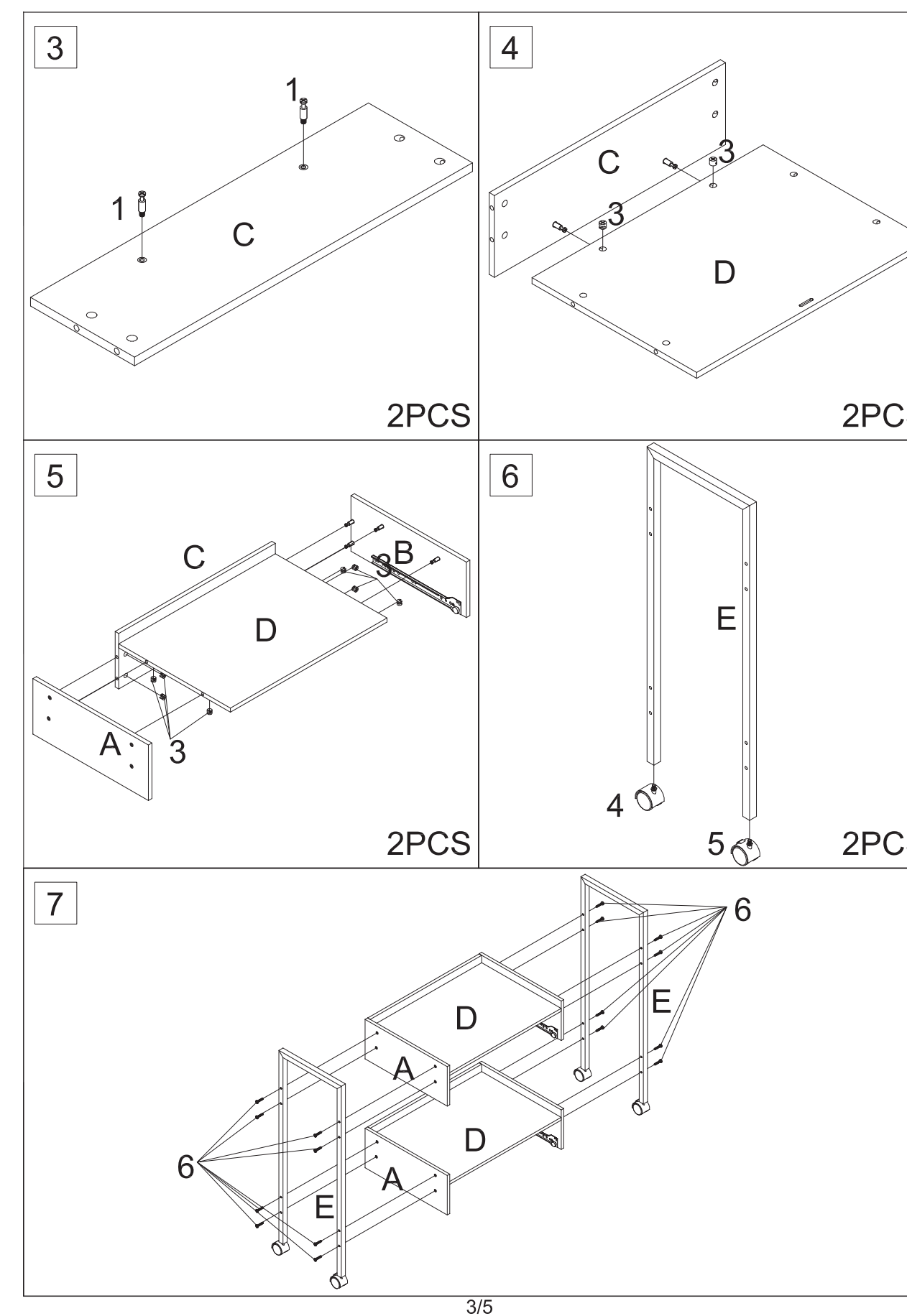
Attention: Do not tighten the screws until you have completed setp assembly.



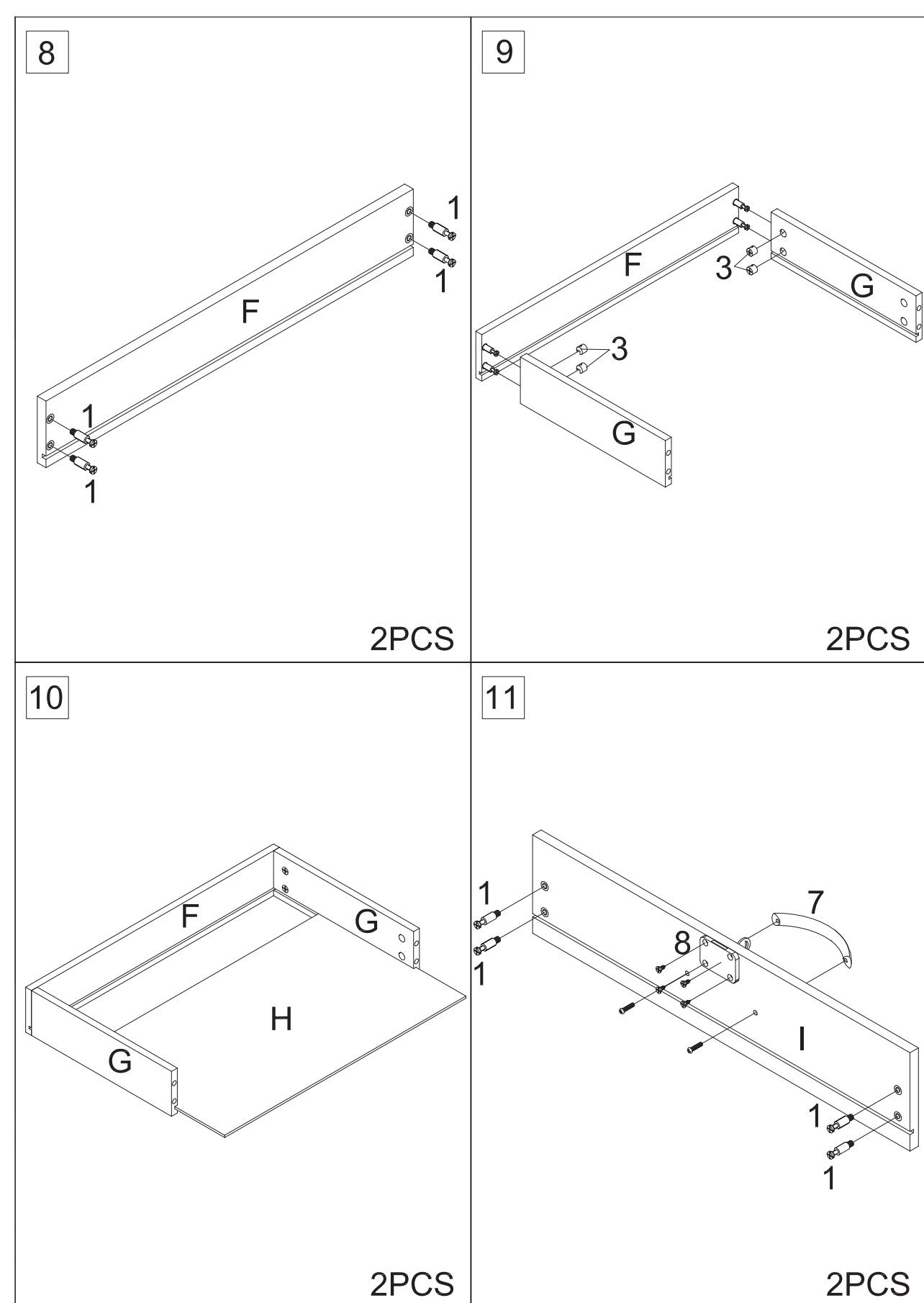
1/5



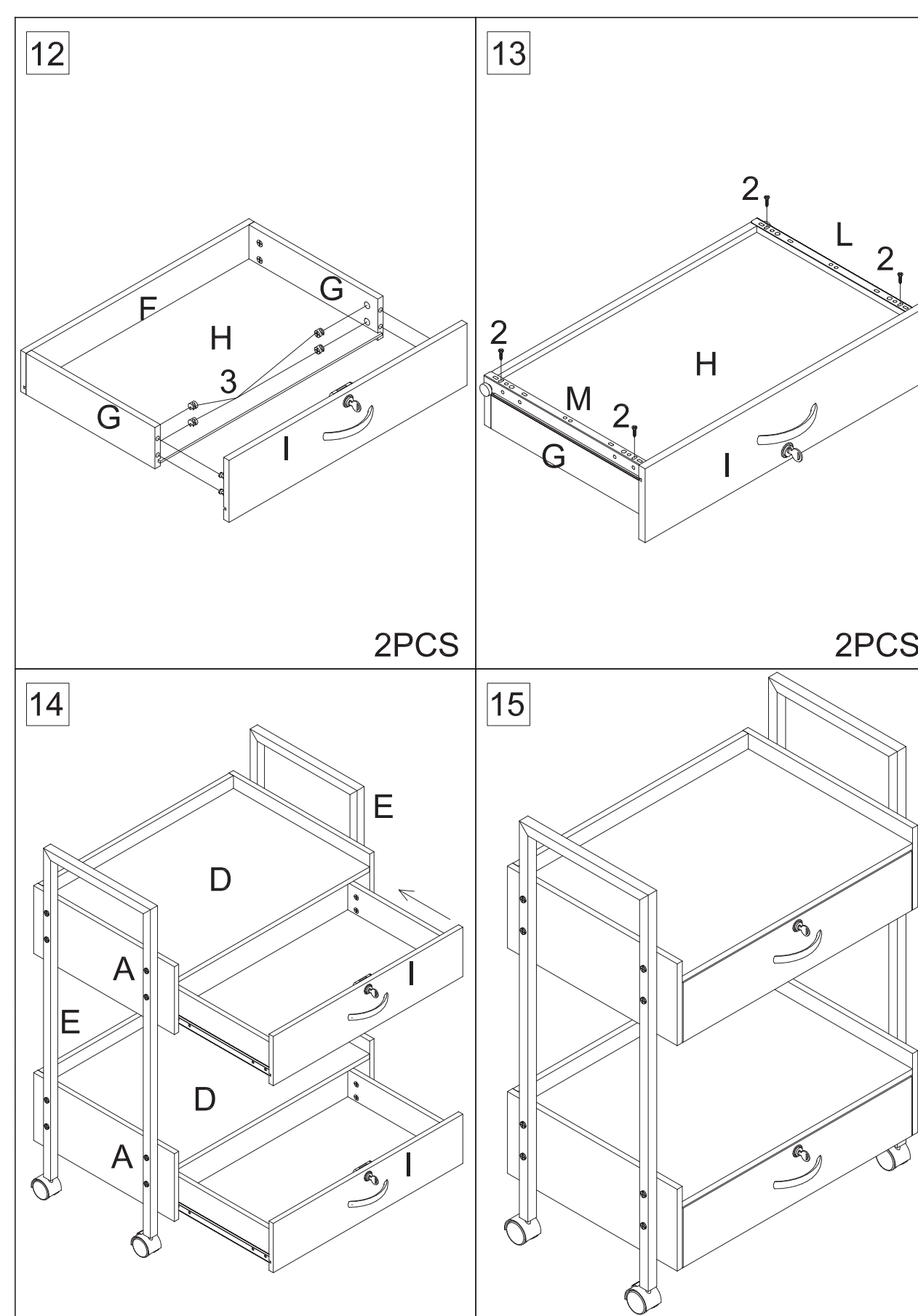
2/5



3/5



4/5



5/5