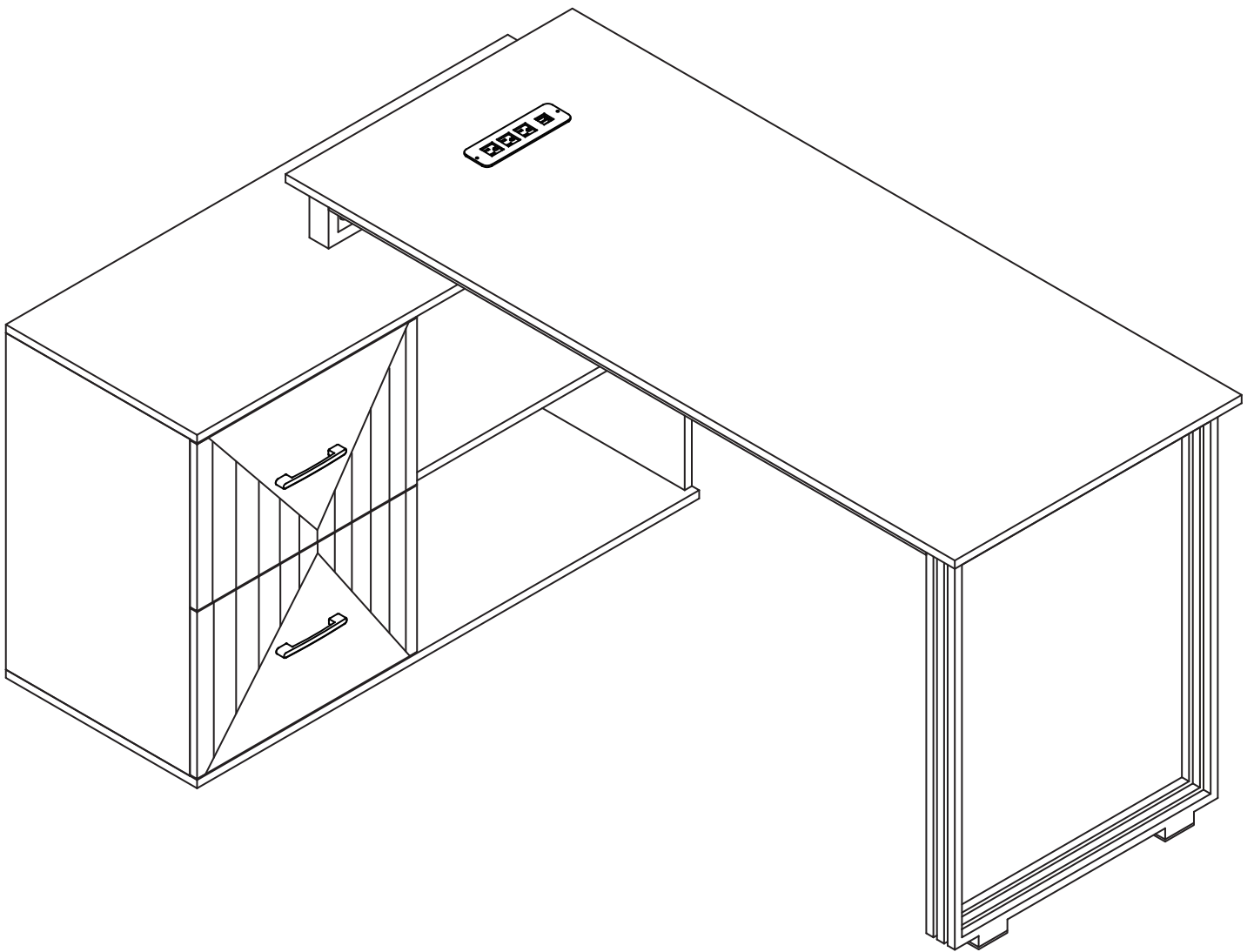


# ASSEMBLY INSTRUCTIONS

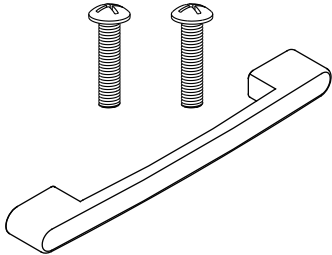
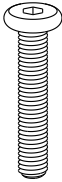

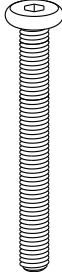
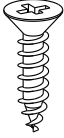
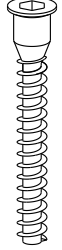
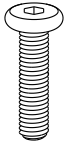
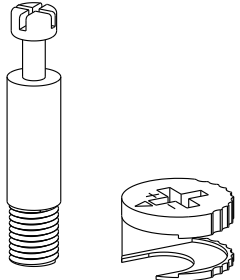


OFFICE DESK

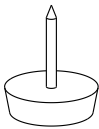
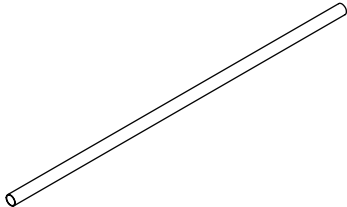
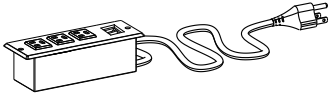
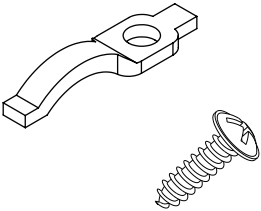
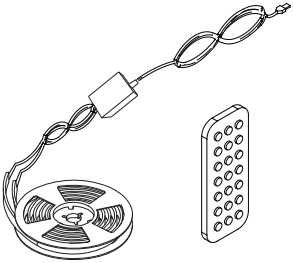
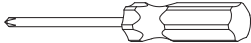
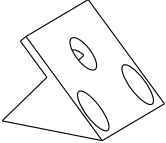
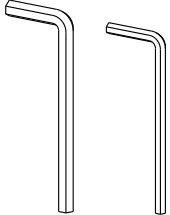
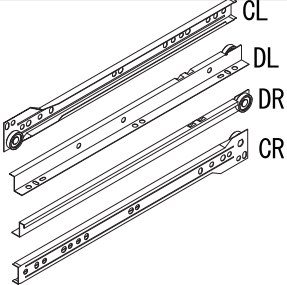
# ASSEMBLY INSTRUCTIONS

## Notice

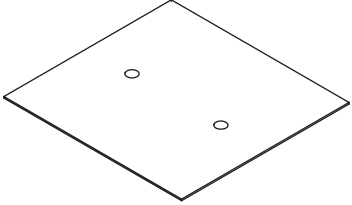
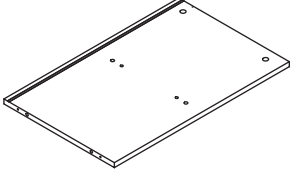
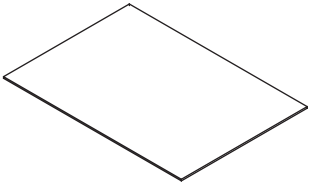
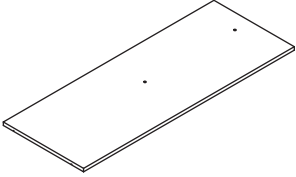
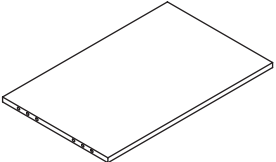
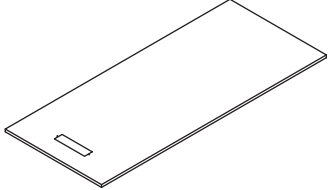
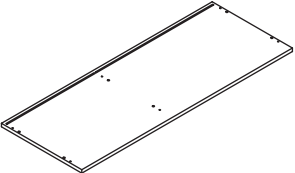
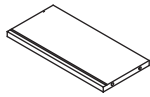
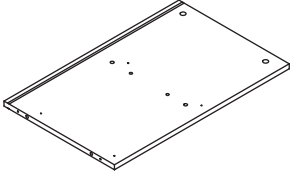
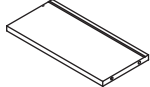
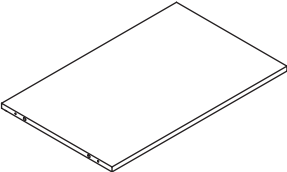
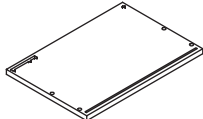
- Follow the installation instructions. Please confirm all accessories are present before installation.
- Do not fully tighten the screws during initial assembly. Fully tighten screws only once all pieces which are correctly assembled.
- If you encounter any problems during installation, refer to two solutions: Follow the installation video tutorial on the Amazon product page or contact our customer service.

Item no.	Reference Image	Qty.	Item no.	Reference Image	Qty.
(A)		X2	(E)	 M6 × 40 mm	X8
(B)		X16	(F)	 M6 × 80 mm	X4
(C)	 ST3.5 × 14 mm	X30	(G)	 ST5 × 40 mm	X6
(D)	 M6 × 30 mm	X4	(H)		X26

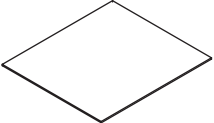
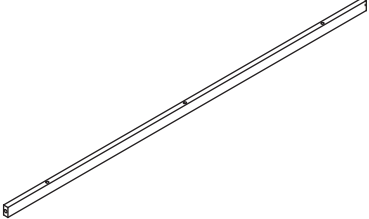
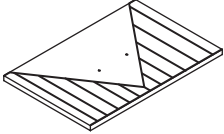
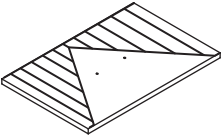
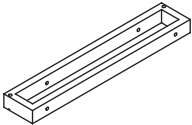
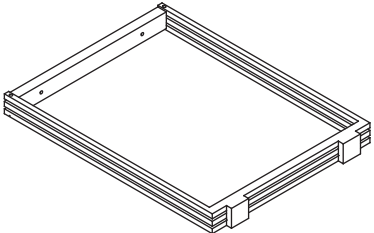
# ASSEMBLY INSTRUCTIONS

Item no.	Reference Image	Qty.	Item no.	Reference Image	Qty.
I		X6	N		X4
J		X1	O		X4
K		X1			X1
L		X12			X1
M		X2			

# ASSEMBLY INSTRUCTIONS

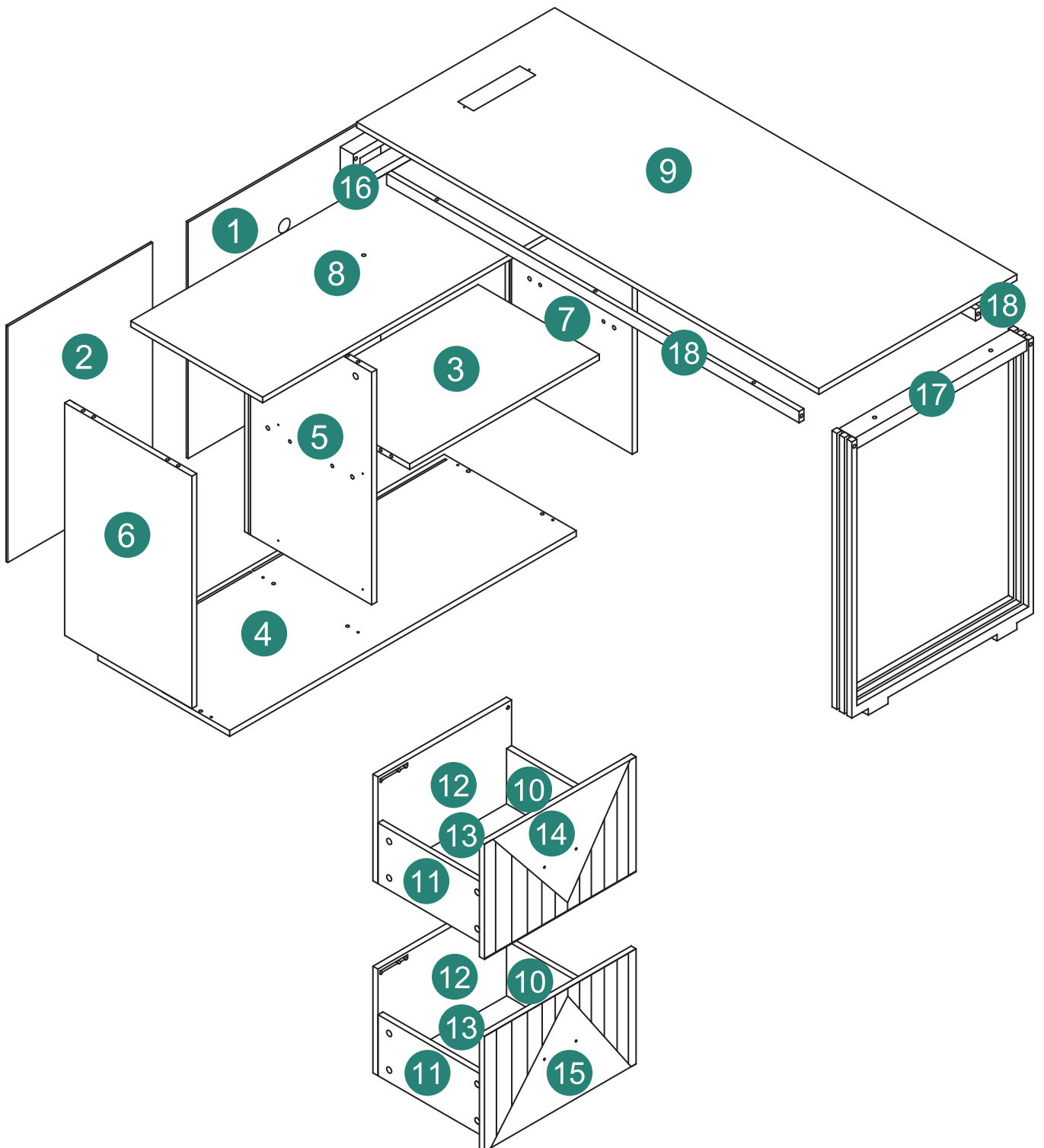
Item no.	Reference Image	Qty.	Item no.	Reference Image	Qty.
1		X1	7		X1
2		X1	8		X1
3		X1	9		X1
4		X1	10		X2
5		X1	11		X2
6		X1	12		X2

# ASSEMBLY INSTRUCTIONS

Item no.	Reference Image	Qty.	Item no.	Reference Image	Qty.
13		X2	18		X2
14		X1			
15		X1			
16		X1			
17		X1			

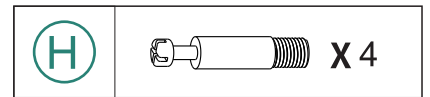
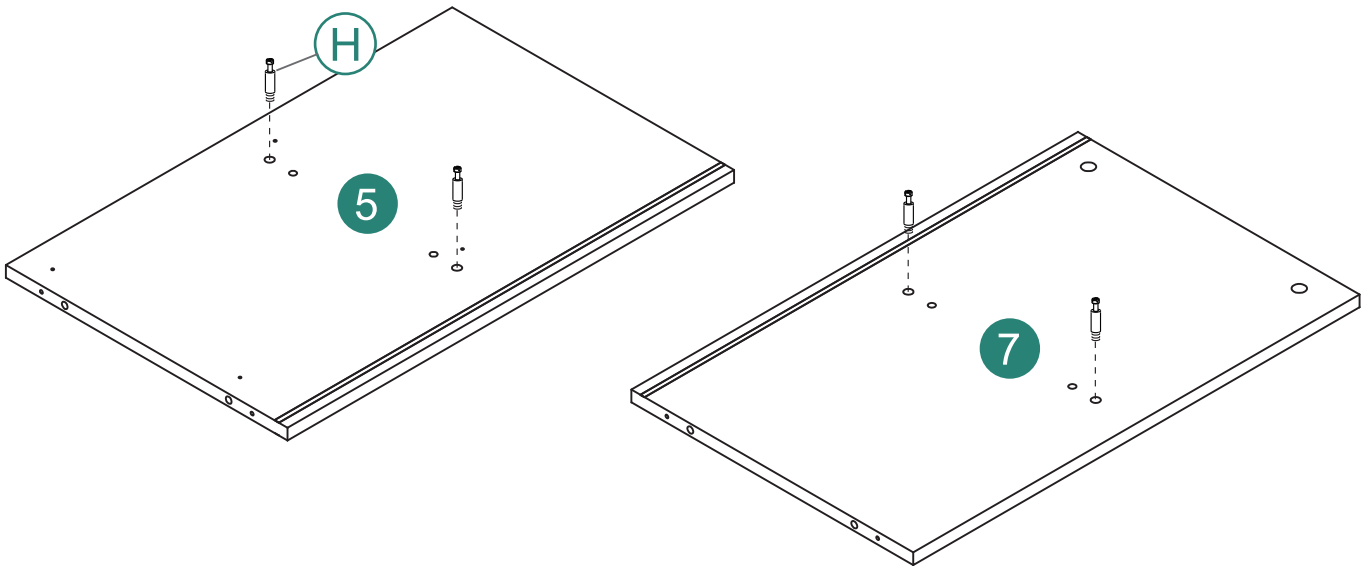
# ASSEMBLY INSTRUCTIONS

## Explosion Diagram



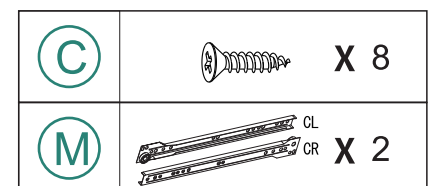
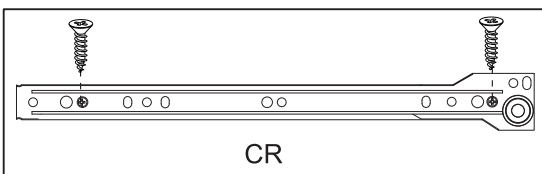
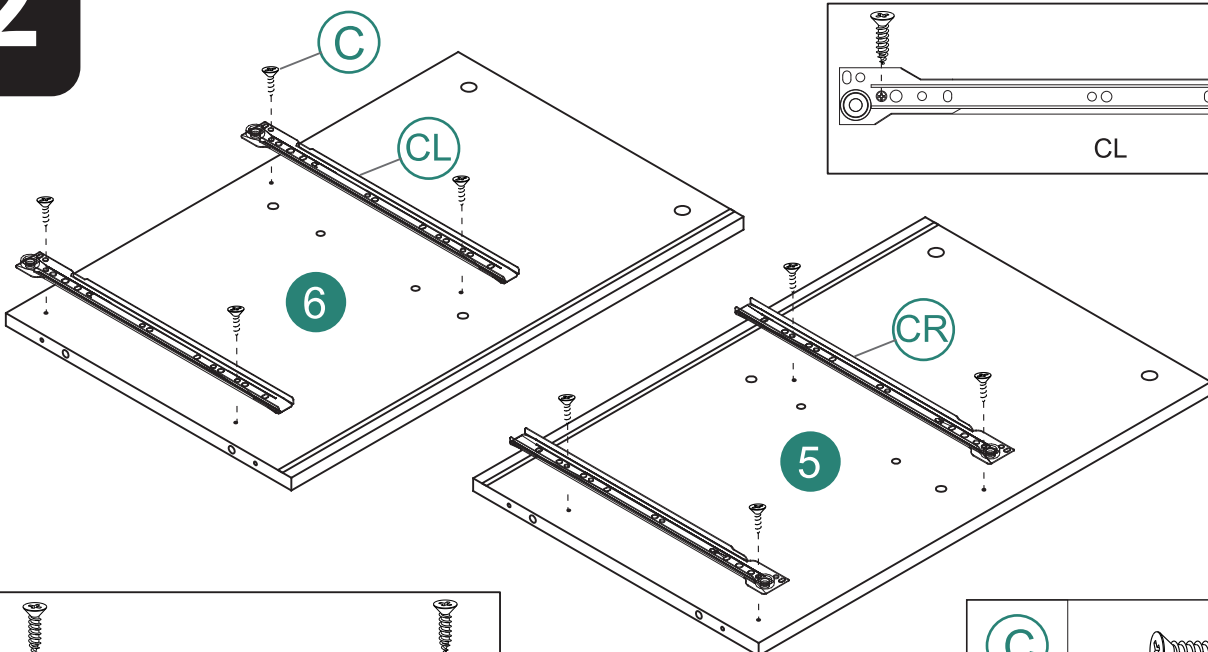
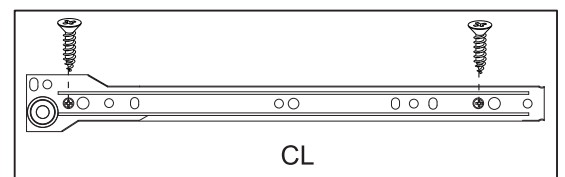
# ASSEMBLY INSTRUCTIONS

# 1



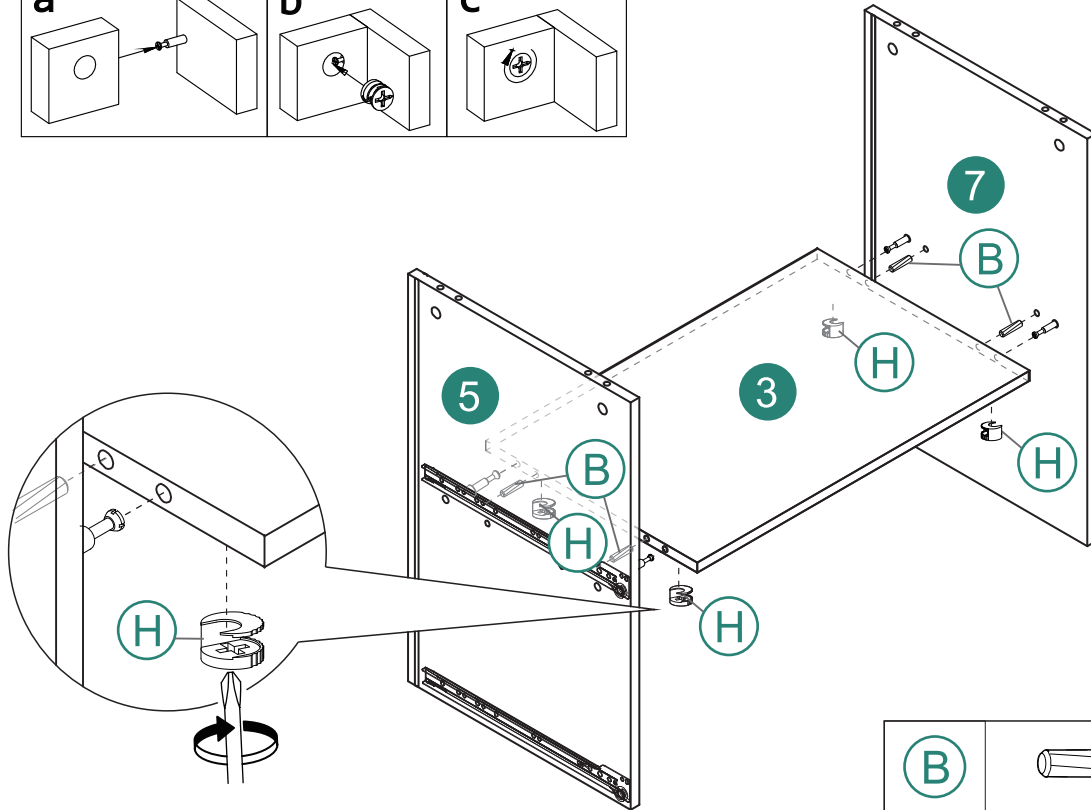
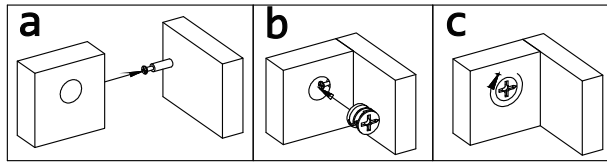
# 2



CL and CR are stencil printed on the guide rail.



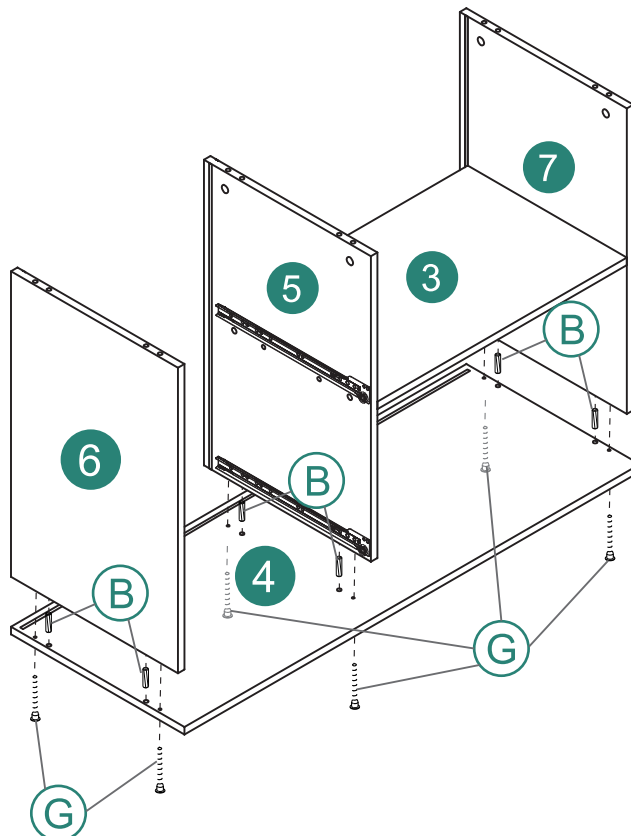
# ASSEMBLY INSTRUCTIONS

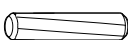

## 3



(B)		X 4
(H)		X 4

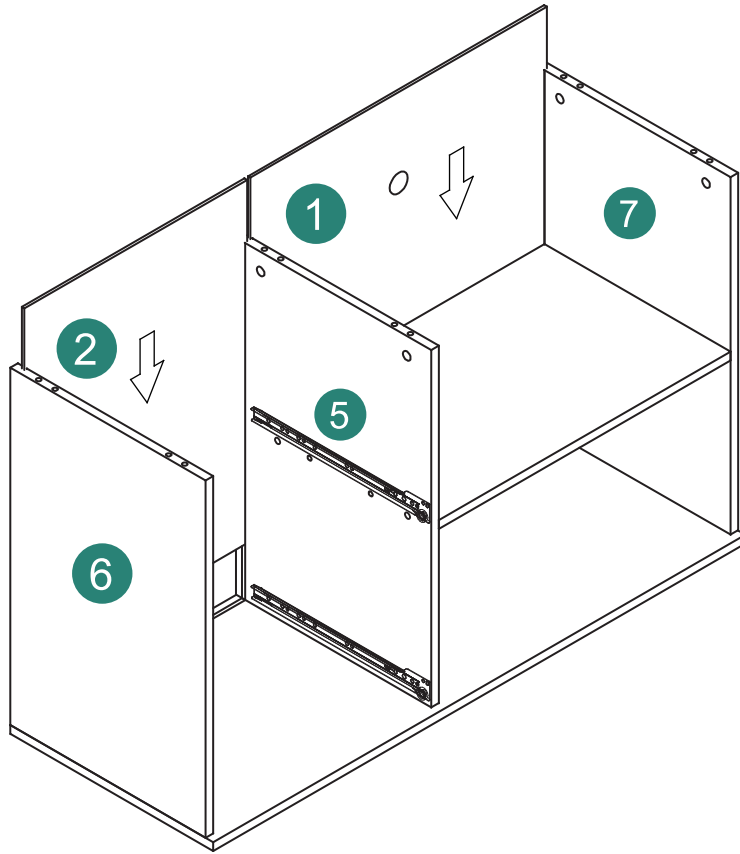
## 4



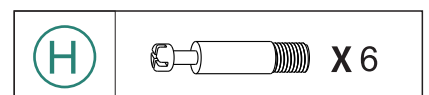
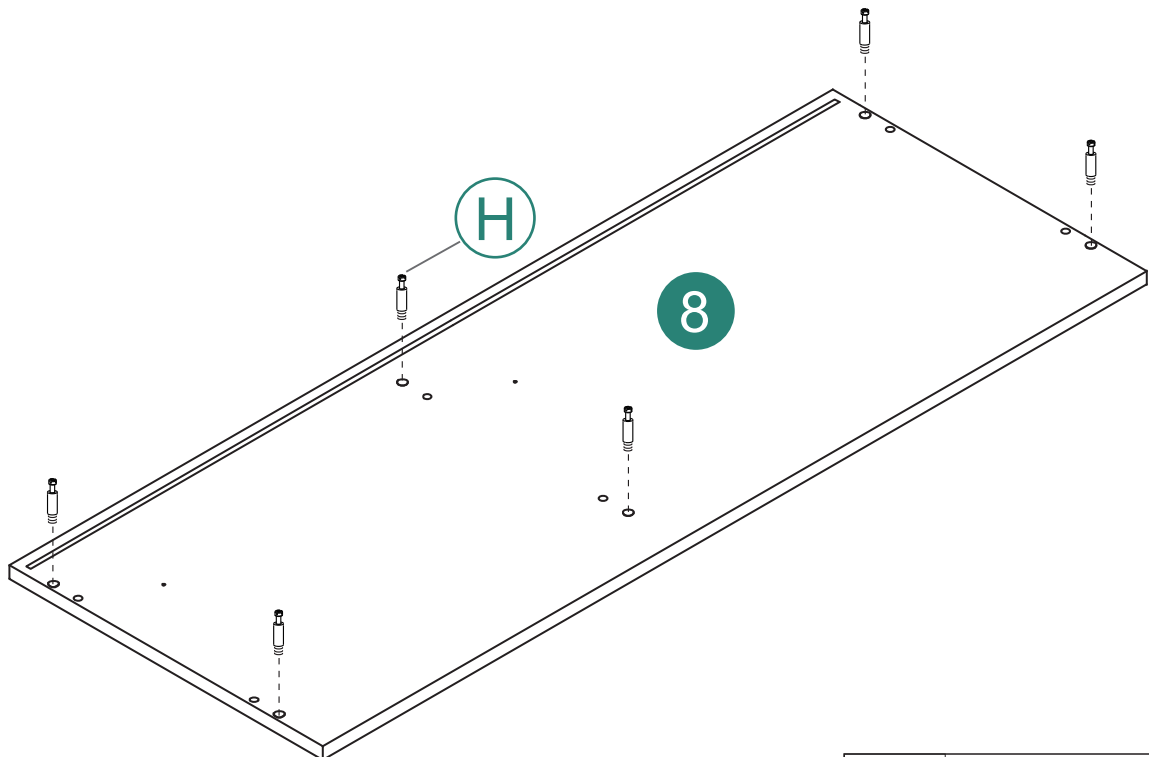
(B)		X 6
(G)		X 6



5

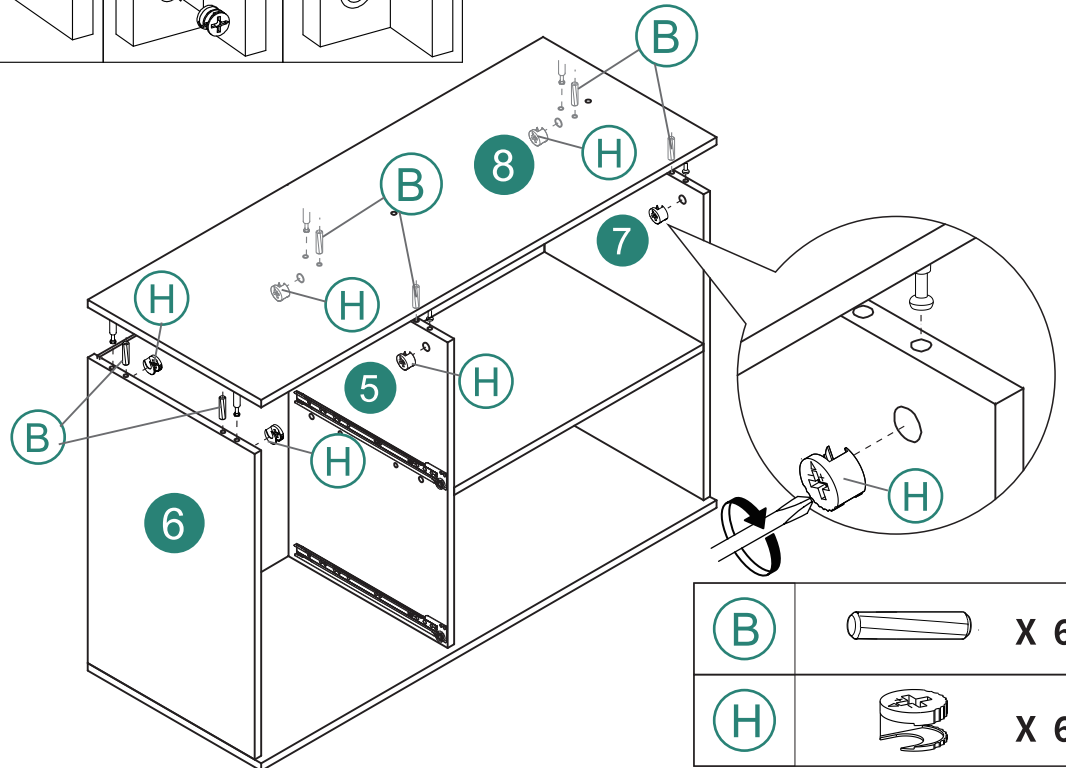
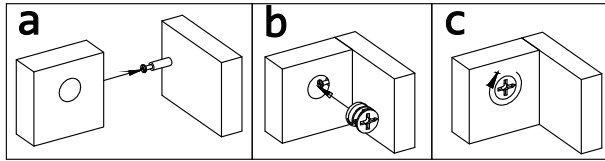


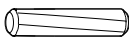

6



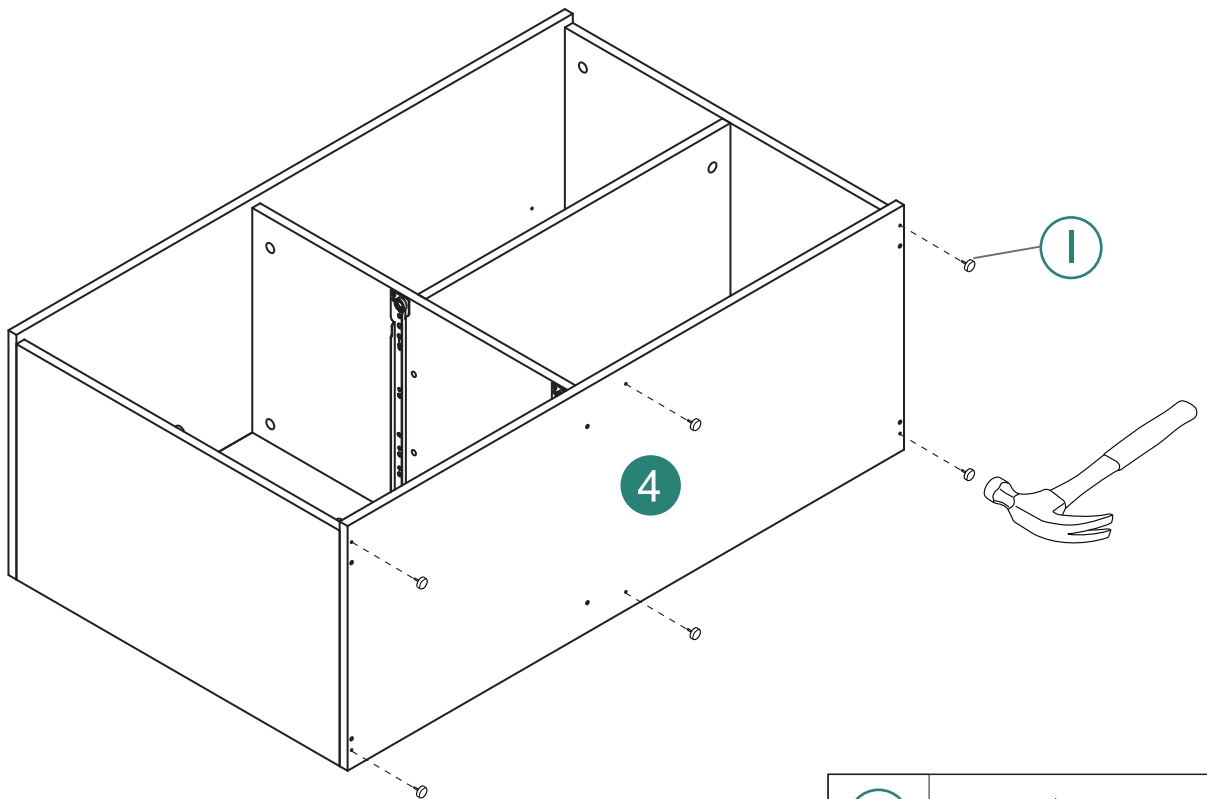
# ASSEMBLY INSTRUCTIONS


**7**



<b>(B)</b>		X 6
<b>(H)</b>		X 6

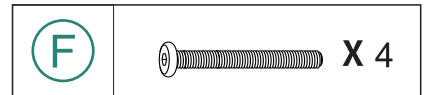
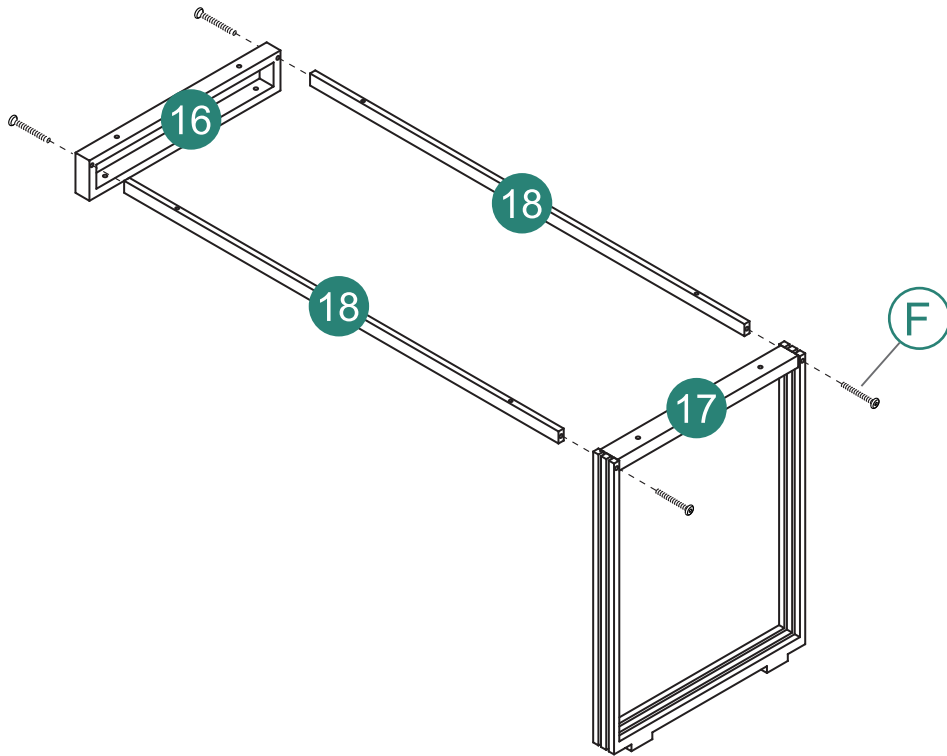
**8**



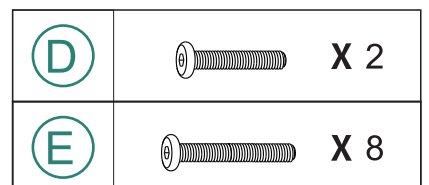
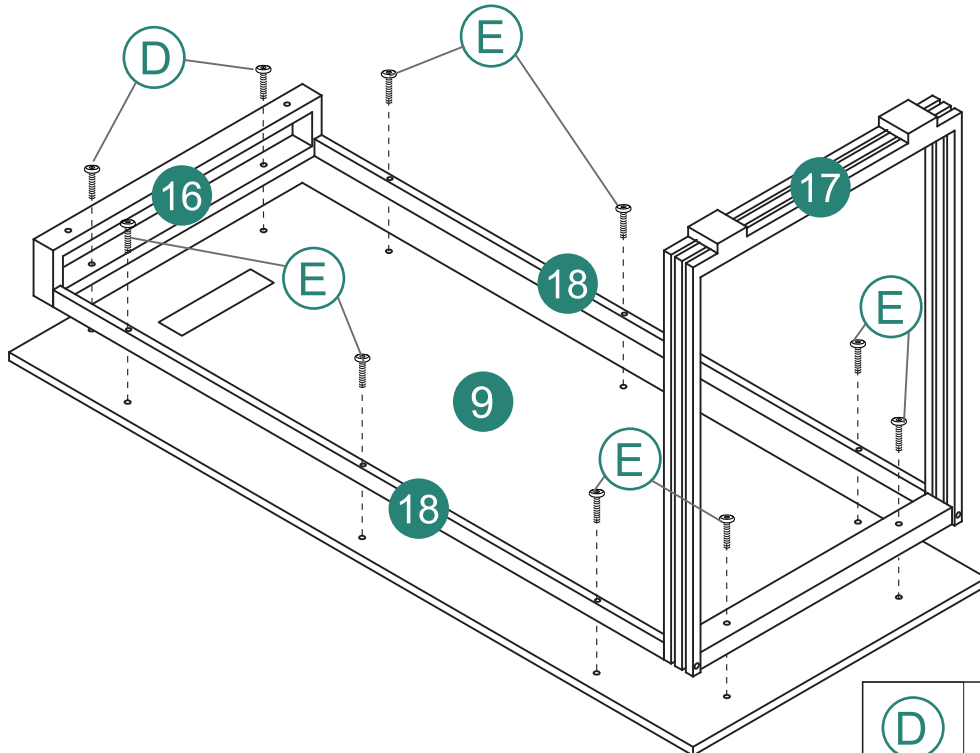
<b>(I)</b>		X 6
------------	---	-----

# ASSEMBLY INSTRUCTIONS

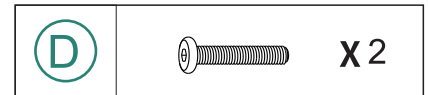
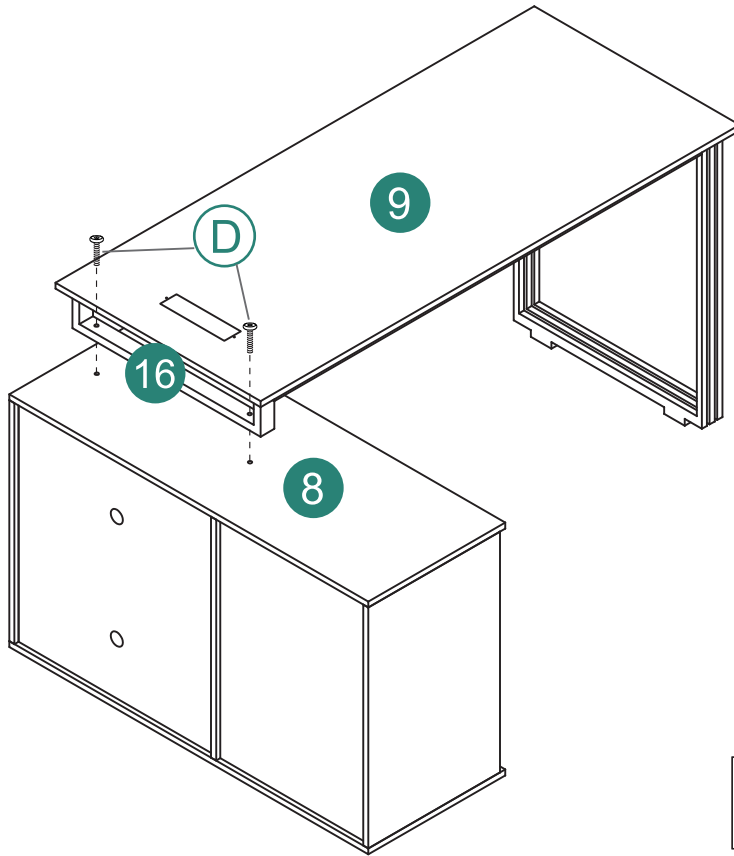
9



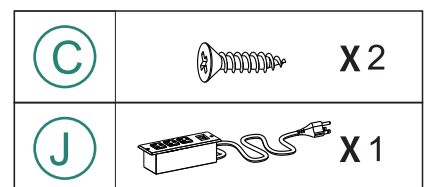
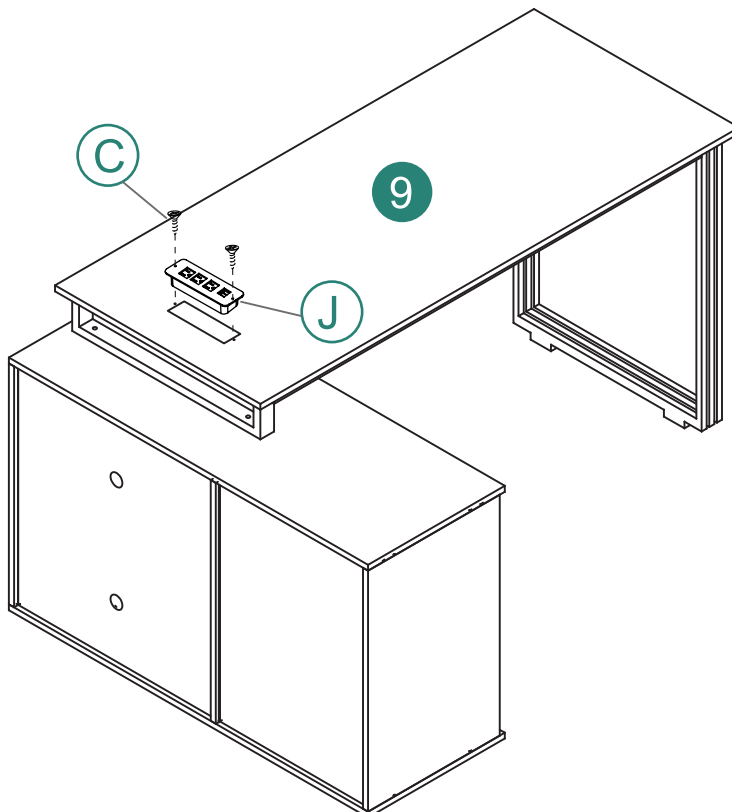
10



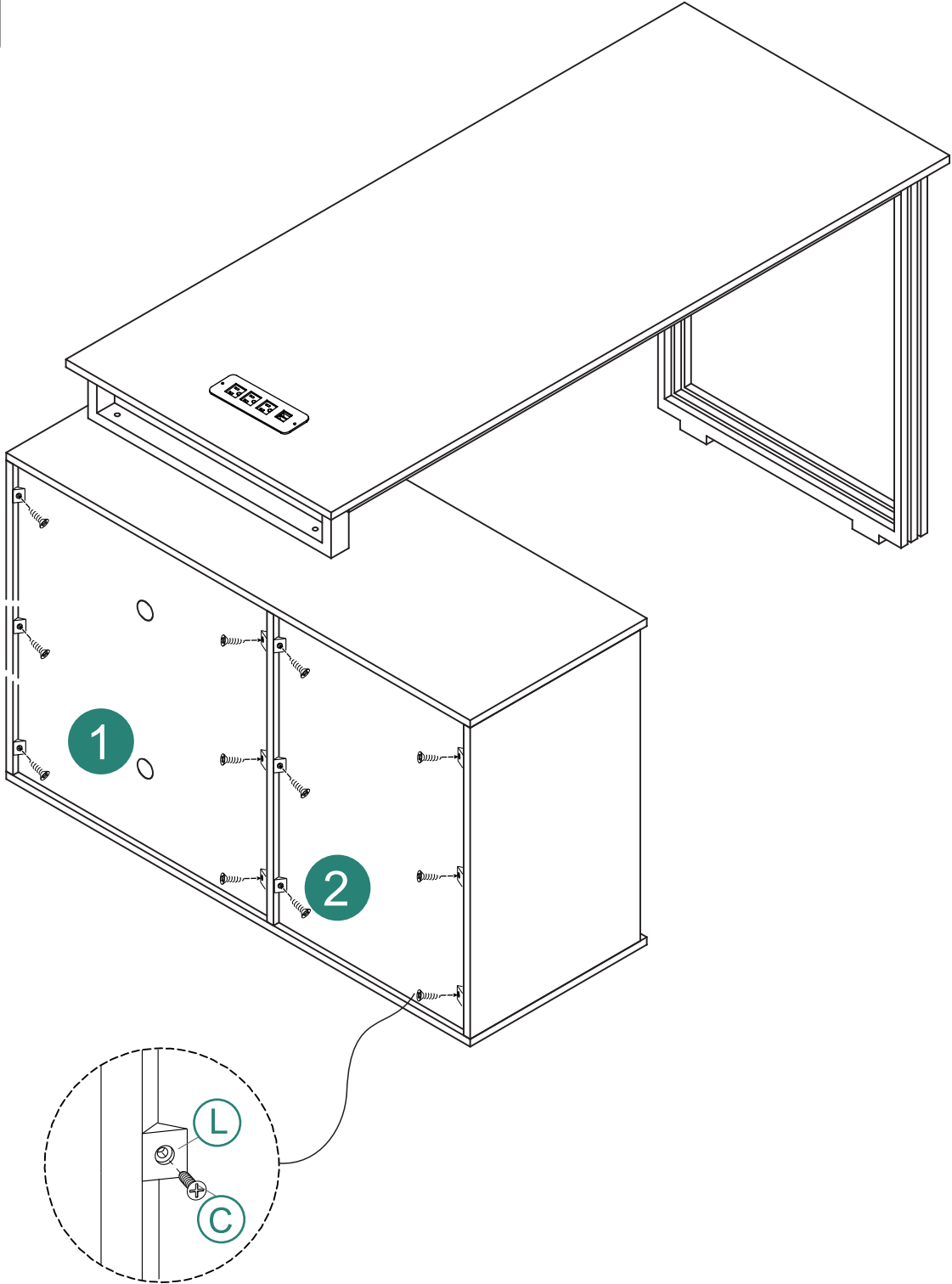
## 11





## 12



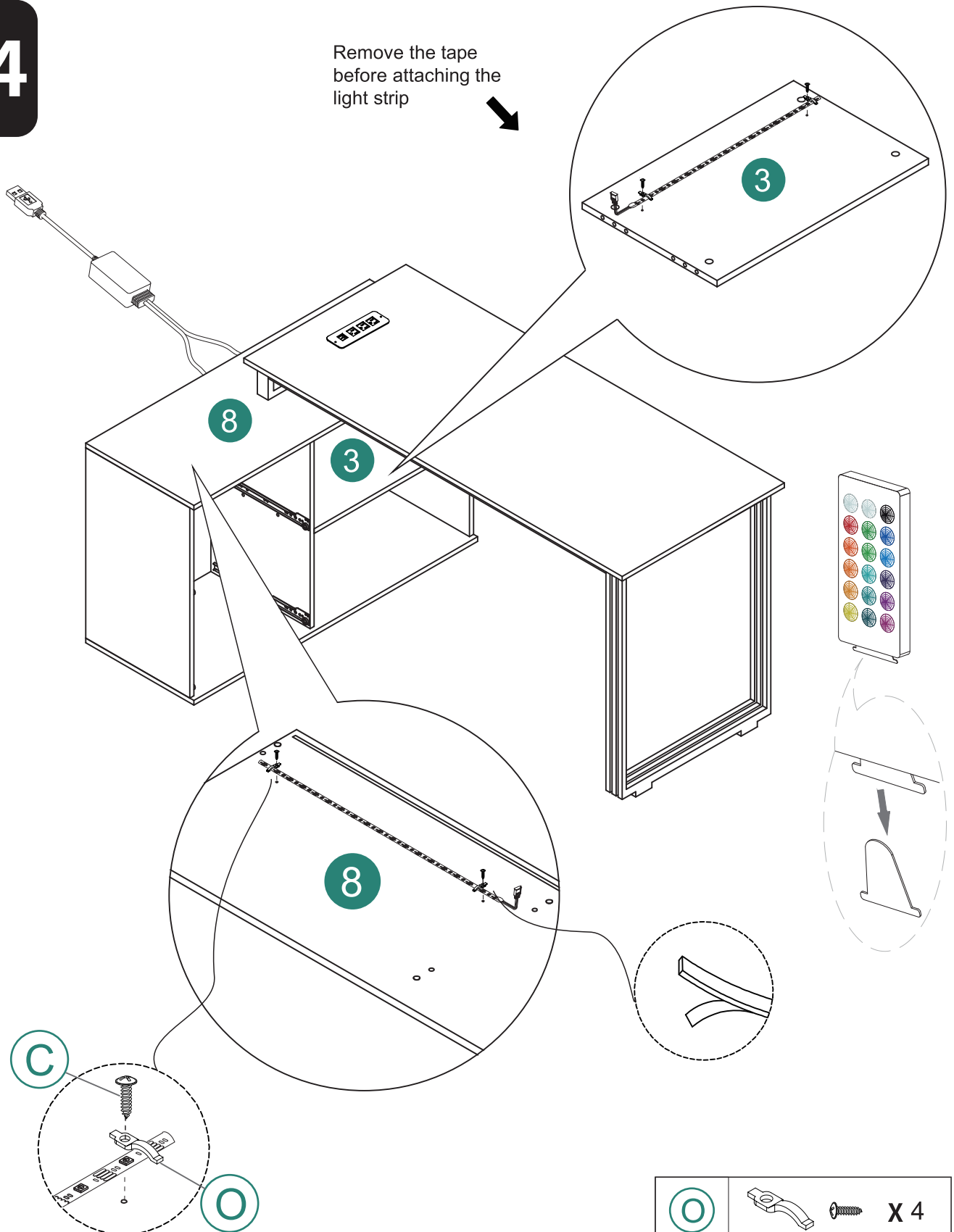
13

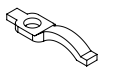
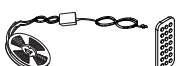


<b>C</b>		X 12
<b>L</b>		X 12

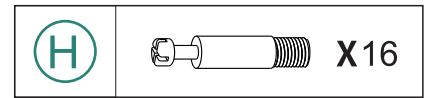
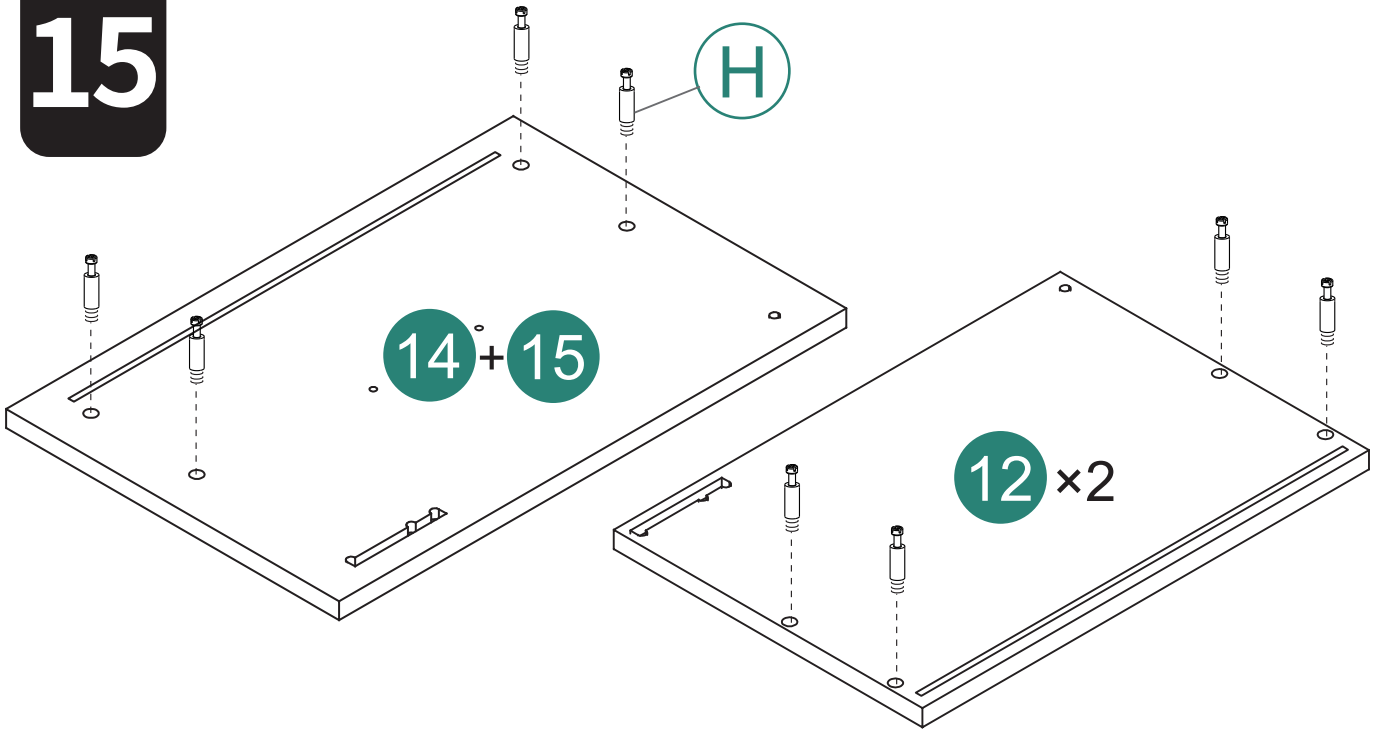
# 14

Remove the tape before attaching the light strip

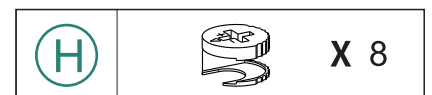
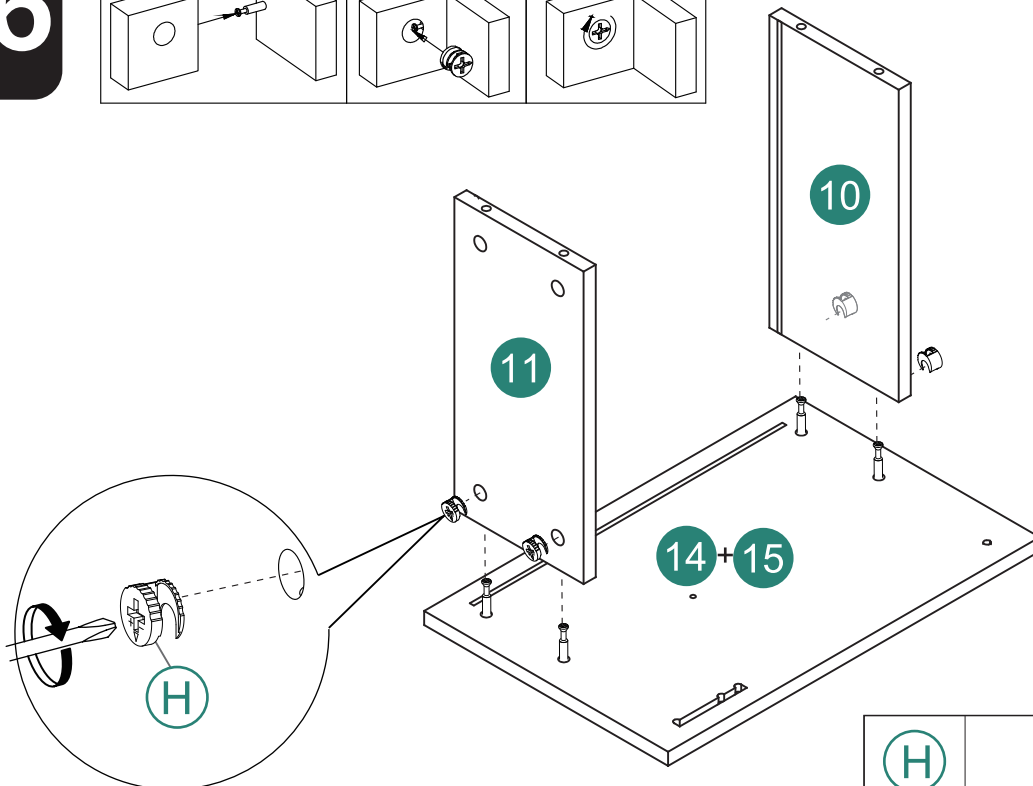
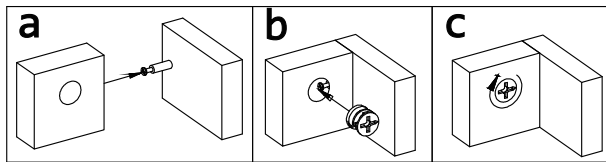


O	 X 4
K	 X 1

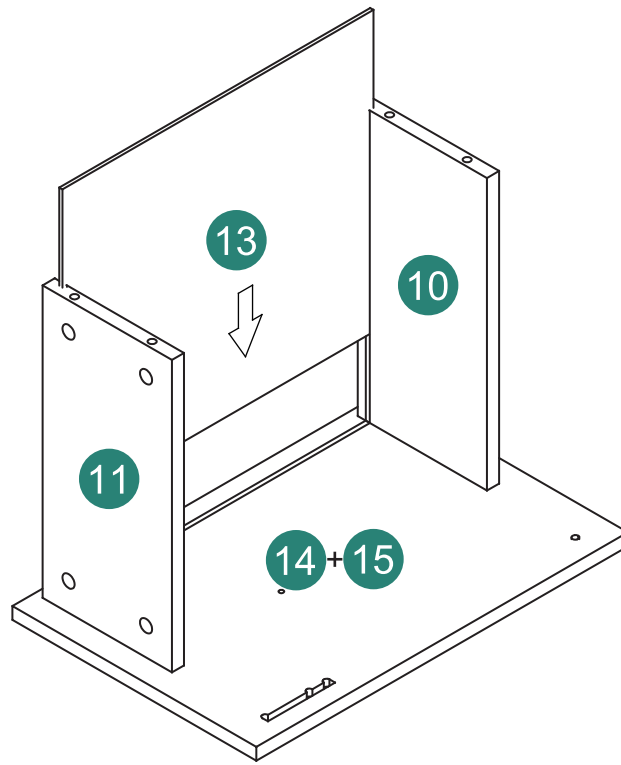
15



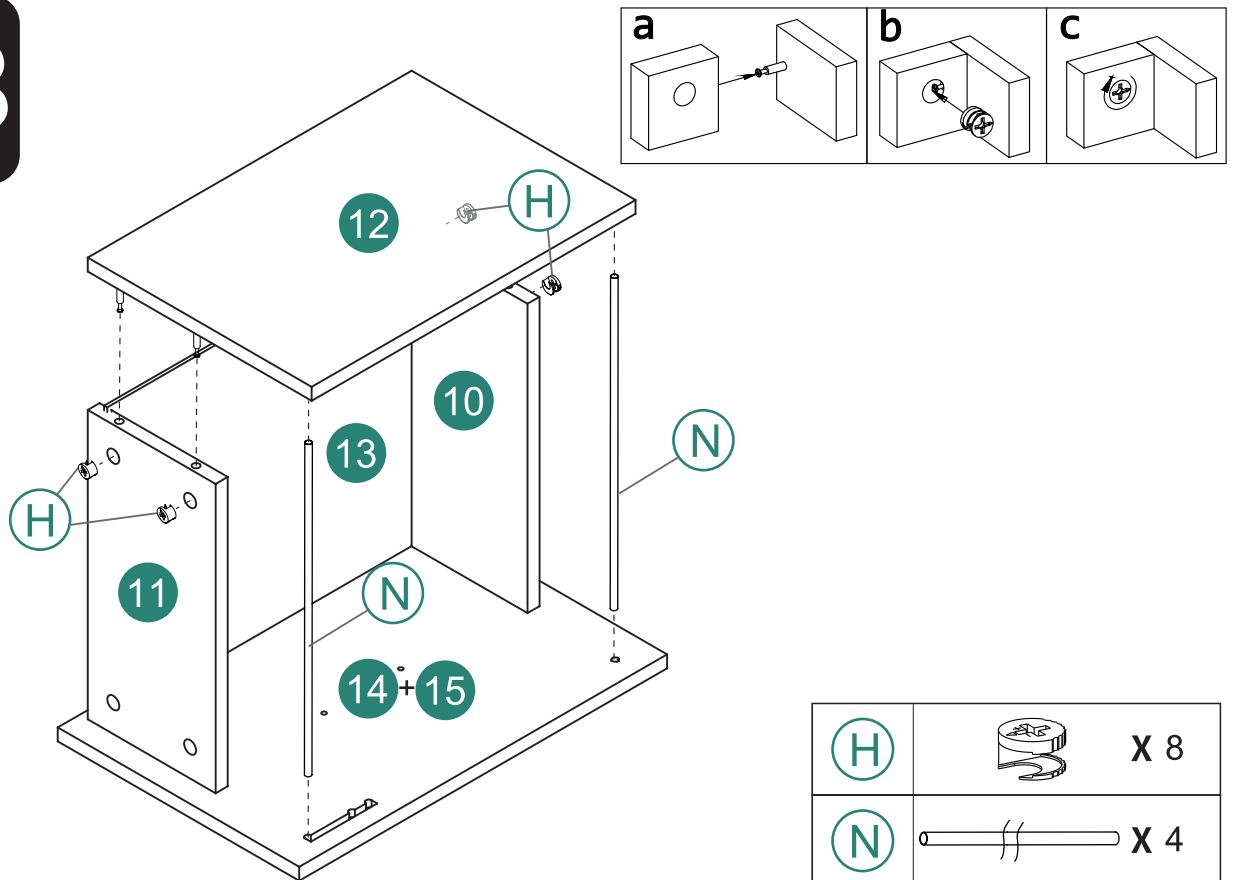
16




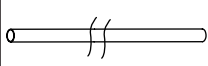
## 17



## 18



15

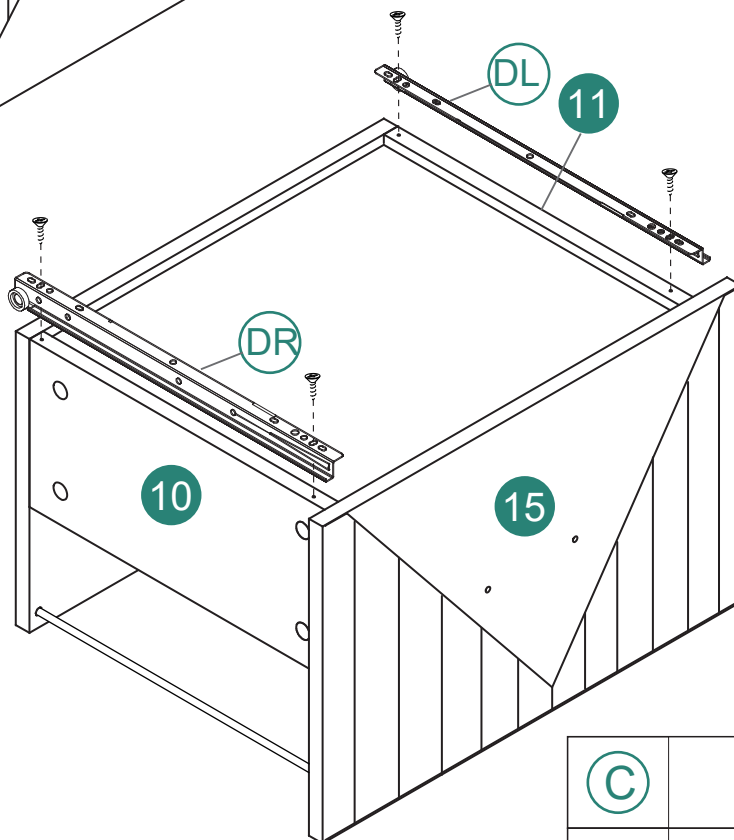
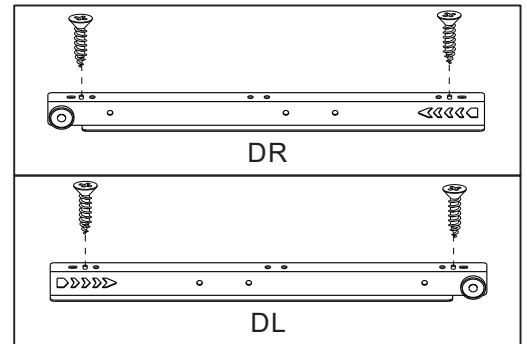
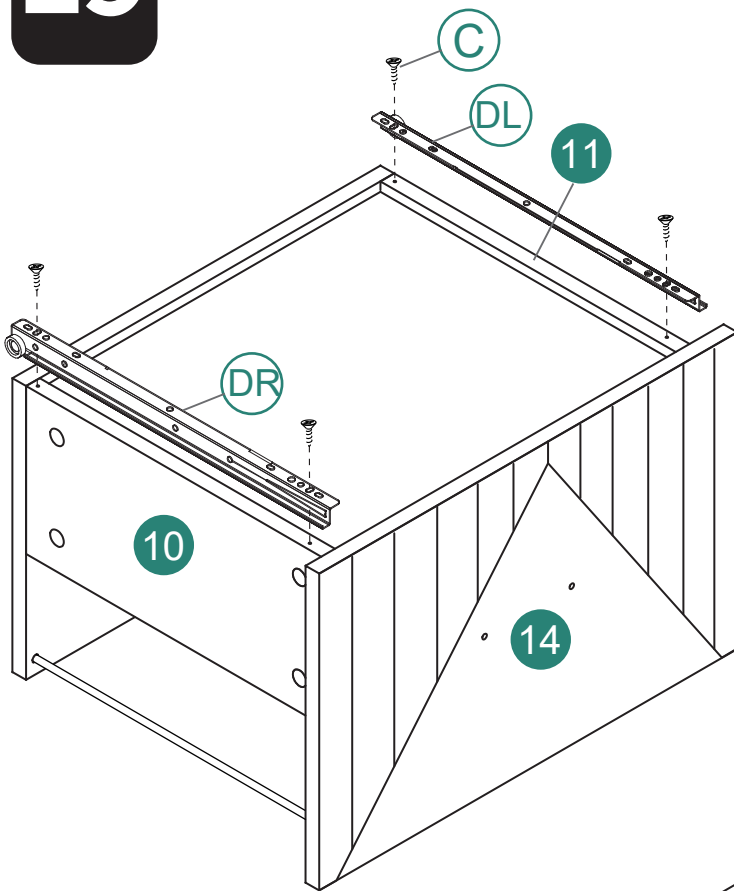
(H)		X 8
(N)		X 4



# ASSEMBLY INSTRUCTIONS

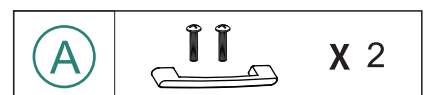
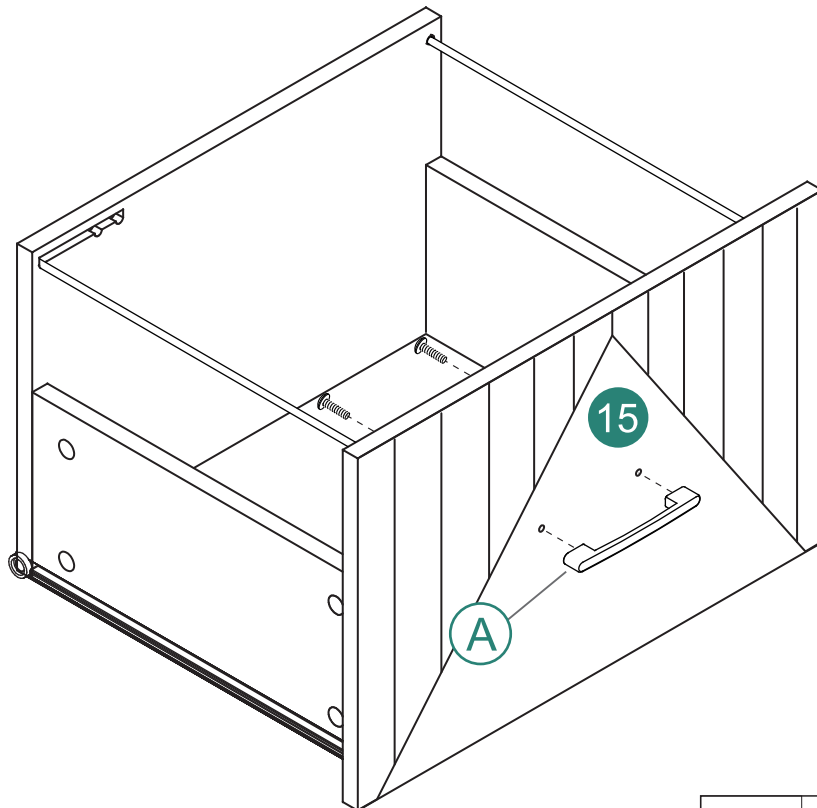
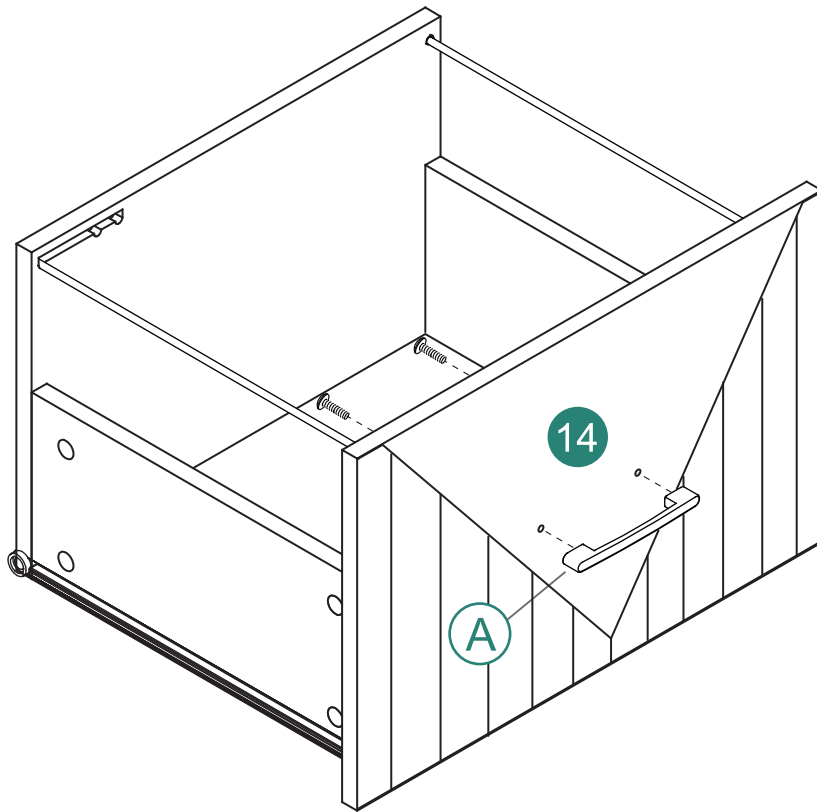
19

DL and DR are stencil printed on the guide rail.



(C)	× 8
(M)	DL DR × 2

20



21

