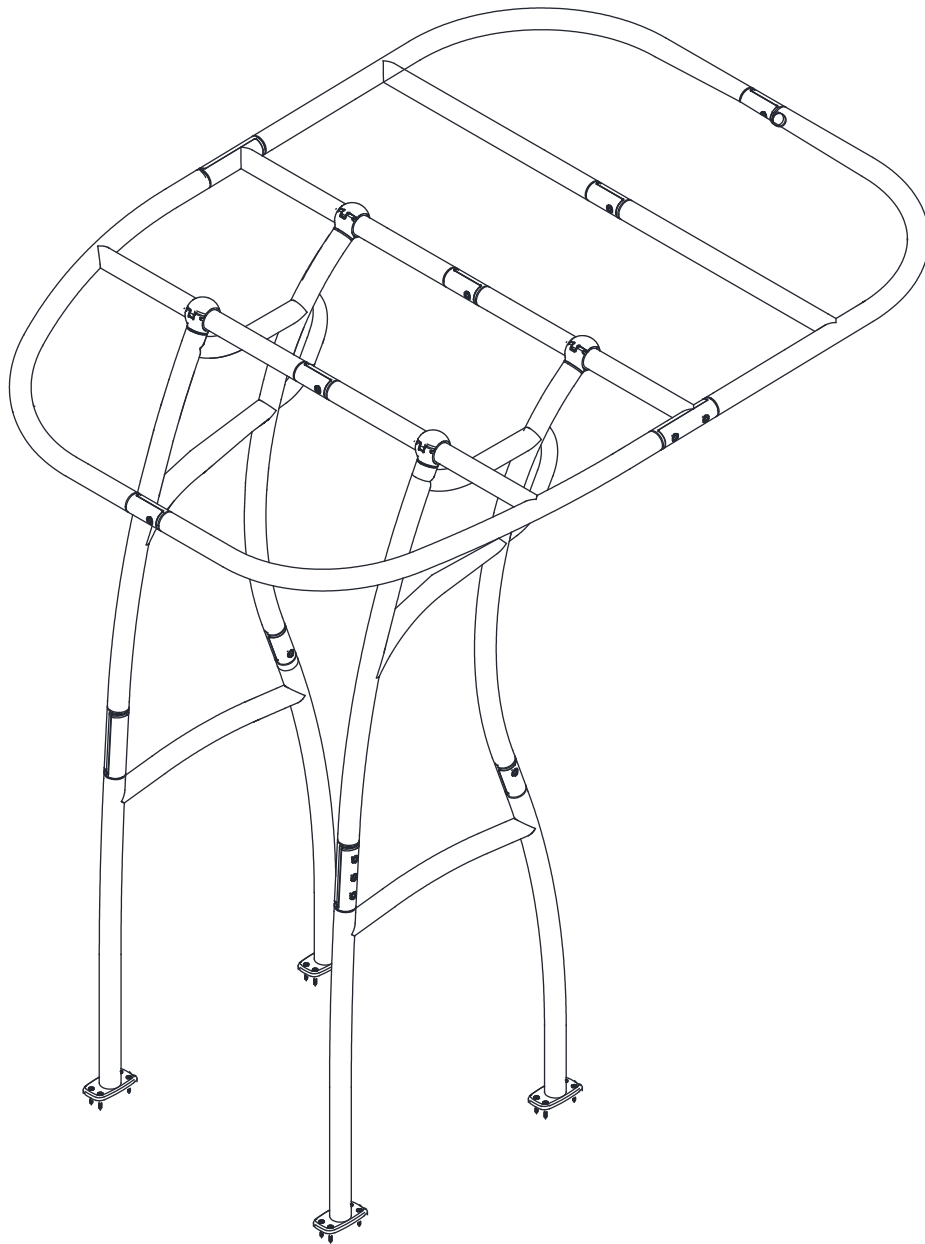




# ***Make A Wake Marine***

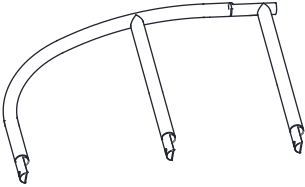
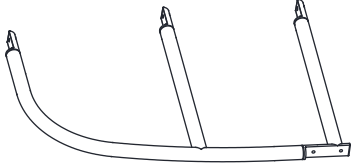
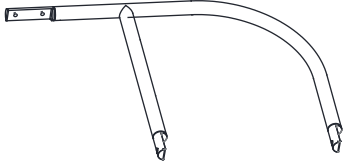
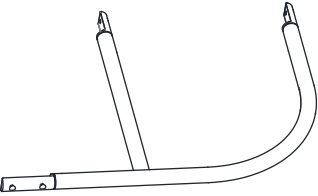
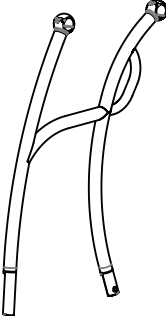
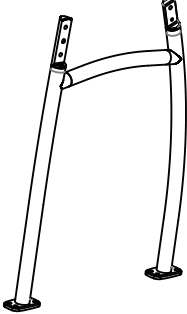
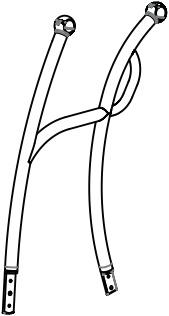
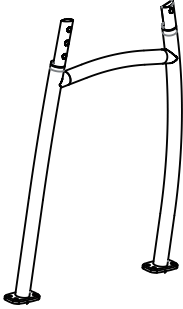
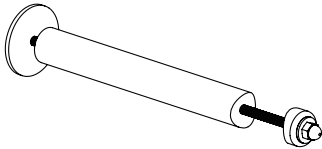


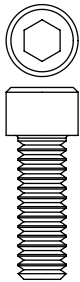
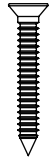
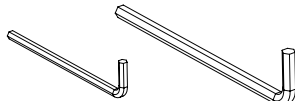
## **600 Series T-TOP**

### INSTALLATION GUIDE



Please take a few minutes to read the entire installation instructions before installation.

# PART LIST

 <p>Front Top LH 1x</p>	 <p>Front Top RH 1x</p>	 <p>Back Top LH 2x</p>
 <p>Back Top RH 2x</p>	 <p>Side stbd 1x</p>	 <p>Side stbd 1x</p>
 <p>Side port 1x</p>	 <p>Side port 1x</p>	 <p>Stand-off 4x</p>
  <p>Rope 1x Canvas 1x</p>	 <p>M12 24x</p>	  <p>16x Keys 2x</p>

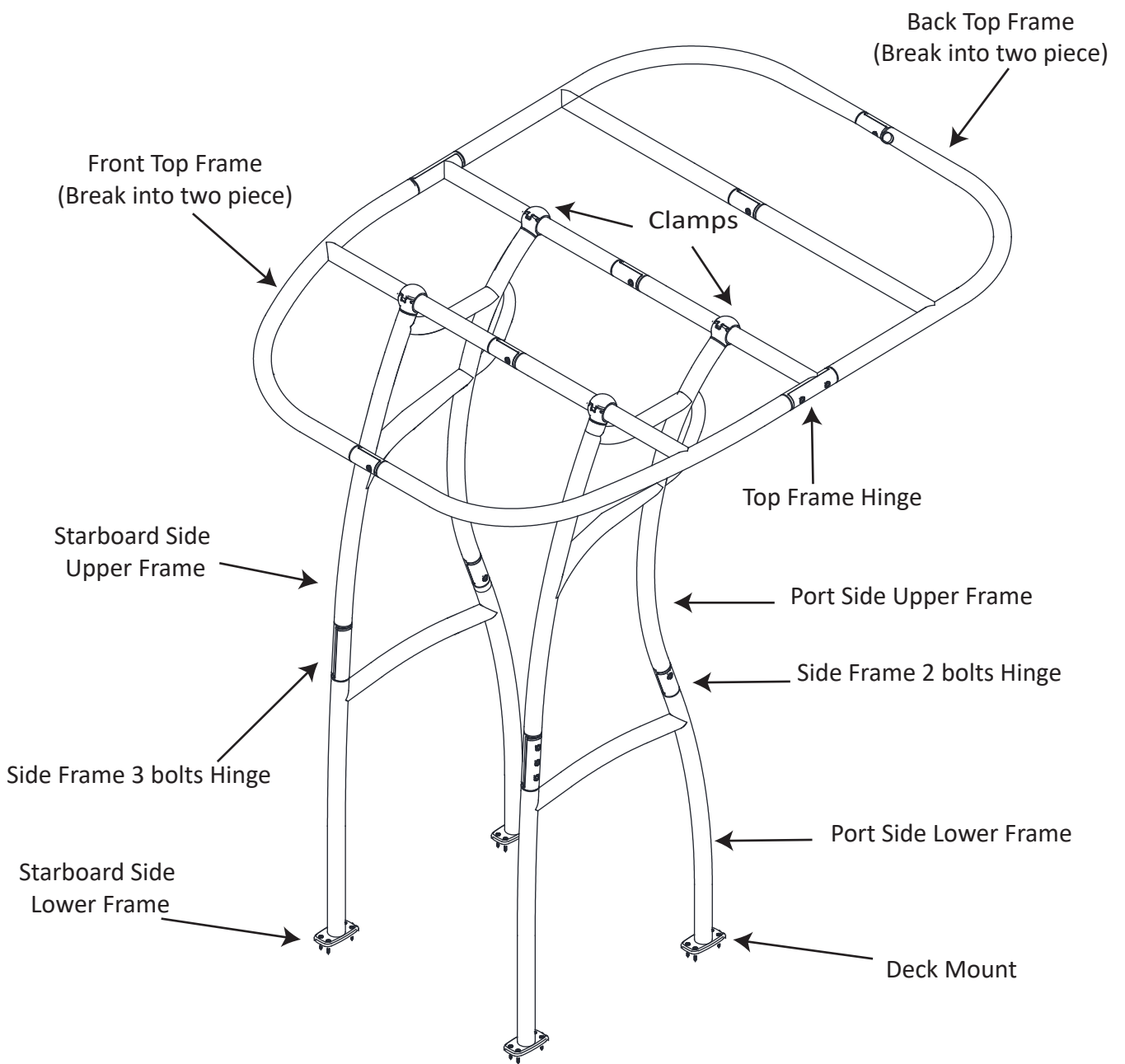
# Before Install

Layout all the parts so that you know which piece goes where.

A helper is needed for installation.

The two main components are the side legs and the canopy frame. The side legs are mirror images to provide right and left legs. These are hinged in the center to allow the T-Top to be folded forward. The legs are typically mounted with the bolt heads to the outside for folding the T-Top down. The canopy frame has four sections. The two front sections attach to the legs by the upper leg clamps. The canopy frame hinge allows the canopy frame to fold for storage.

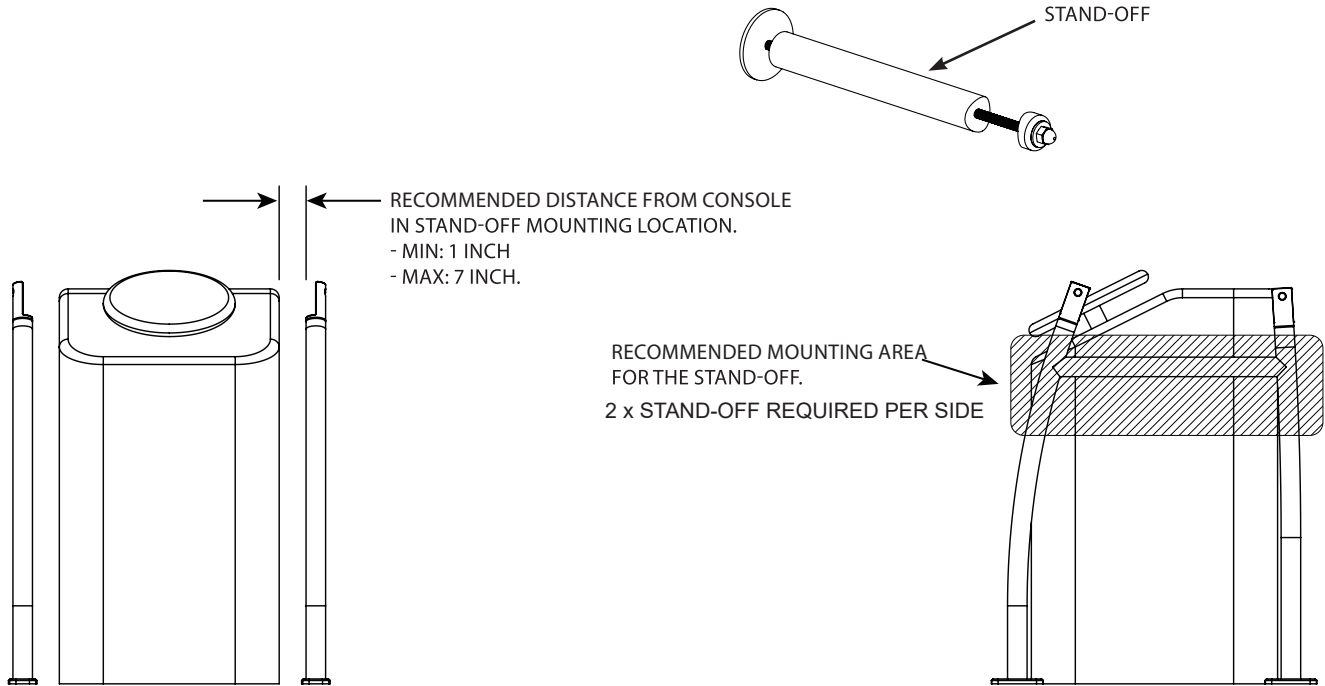
You should protect the parts from scratches by doing the assembly on a tarp or cardboard. Apply a grease to the bolts before screw in.



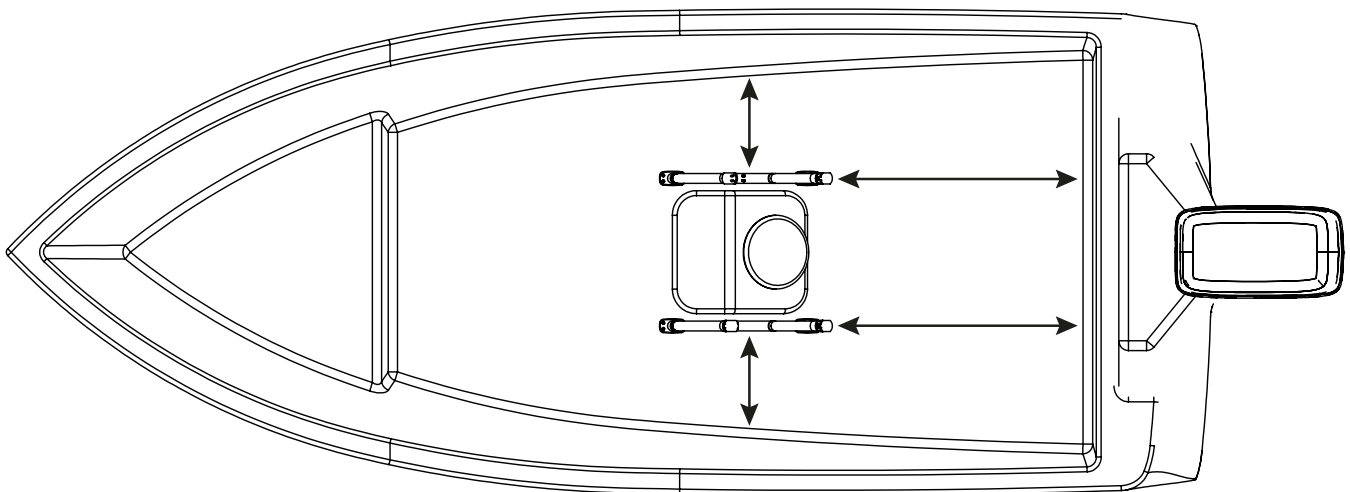
# STEP 1

## POSITIONING OF THE T-TOP SIDE SECTIONS

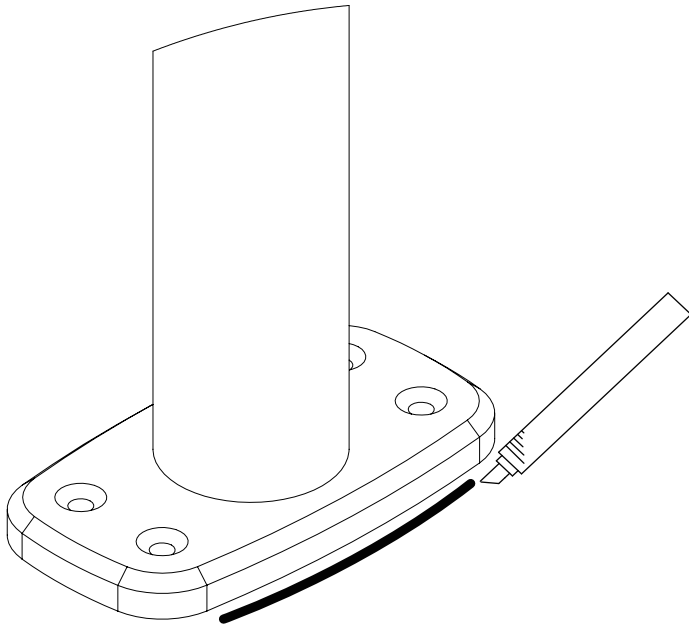
IMPORTANT NOTE: STAND-OFFS ARE USED TO PROVIDE ADDITIONAL SUPPORT TO THE T-TOP. THEY ARE INSTALLED BETWEEN THE CONSOLE AND THE LOWER HALF OF THE T-TOP SIDE SECTIONS. IF REQUIRED, STAND-OFFS WILL BE INSTALLED AT THE END OF THE T-TOP INSTALLATION PROCESS SO IT IS VERY IMPORTANT TO CONSIDER THEIR PLACEMENT NOW BEFORE CONTINUING TO THE NEXT STEP OF THE PROCESS.



- POSITION THE LOWER HALVES OF THE SIDE SECTIONS ON THE DECK.
- MEASURE EQUAL DISTANCES EACH SIDE.
- IT IS IMPORTANT THAT BOTH SIDES HAVE EQUAL MEASUREMENTS FROM THE SIDES AND AFT OF THE BOAT.



## STEP 2

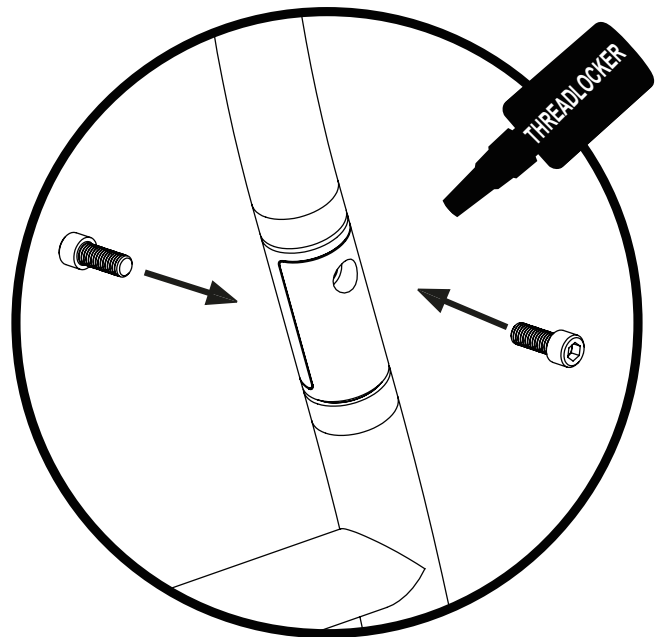
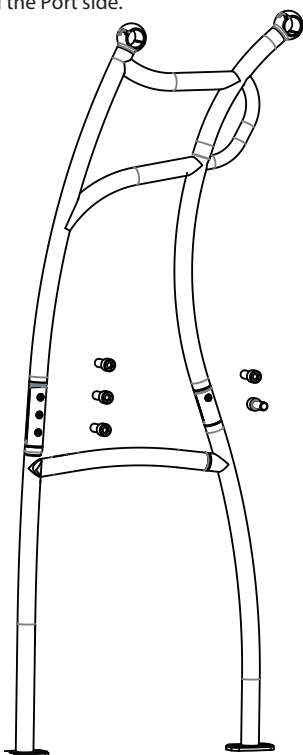


USE A MARKER TO MARK OUT WHERE THE FEET ARE POSITIONED.  
NOTE: MAKE SURE THAT THE MARKER IS USED ON THE MASKING TAPE AND DOES NOT MARK UP THE DECK.

---

## STEP 3

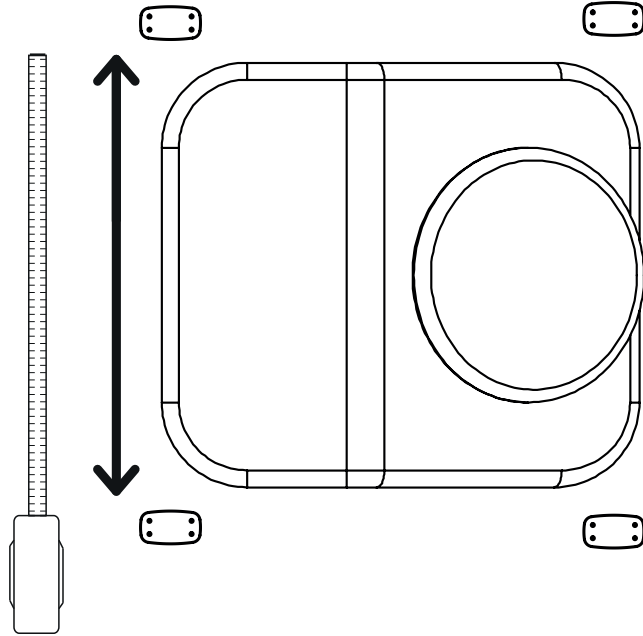
ASSEMBLE THE SIDE SECTIONS  
The Starboard and the Port side.



PORT & STARBOARD SIDES

## STEP 4

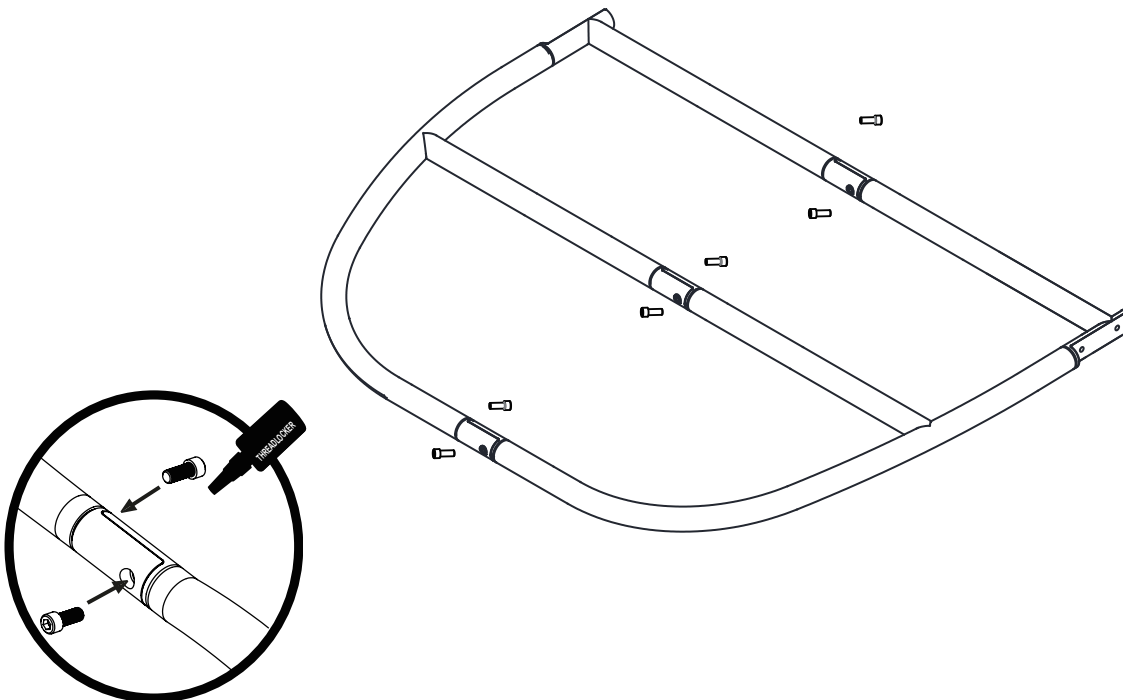
MEASURE THE WIDTH OF YOUR MARKED MOUNTING LOCATIONS. THIS WIDTH WILL THEN BE USED TO ASSEMBLE THE T-TOP SIDES TO THE CANOPY.



---

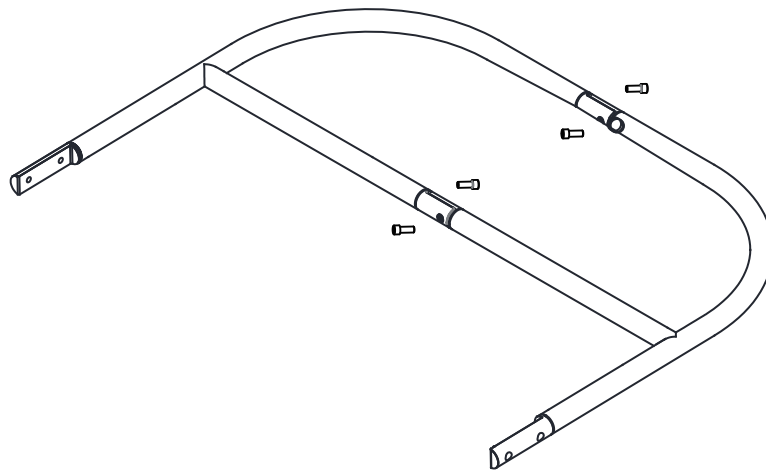
## STEP 5

ASSEMBLE THE FRONT TOP SECTION.  
FIRST ASSEMBLE THE PORT SIDE TO THE STARBOARD SIDE.  
THEN ASSEMBLE THE ACCESSORY PLATE AND THE MIDDLE PLATE.

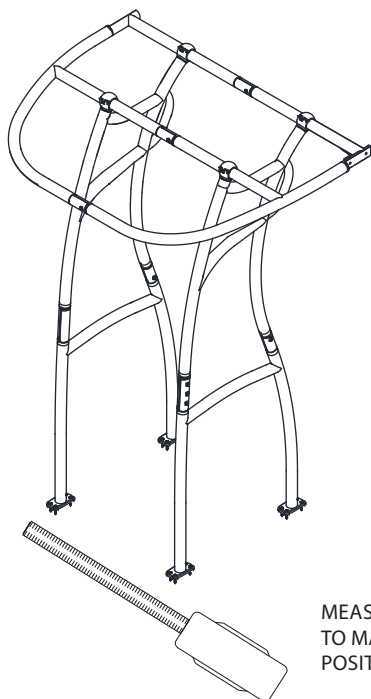


## STEP 6

ASSEMBLE THE REAR CANOPY FRAME  
FIRST ASSEMBLE THE PORT SIDE TO THE STARBOARD SIDE.  
THEN ASSEMBLE THE ACCESSORY PLATE AND THE MIDDLE PLATE.  
DO NOT JOINT THE FRONT TO THE REAR YET

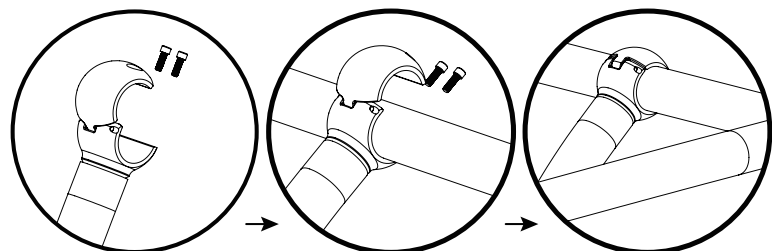


## STEP 7



NOTE: ASSEMBLE THE CANOPY TO THE SIDE SECTION WHILE ON LAND.  
THE ASSEMBLY WILL THEN BE WALKED ONTO THE BOAT AND PLACED  
IN THE MARKED LOCATION.

TIP: IN CASE THE CLAMP IS HARD TO CLOSE, YOU MAY  
1.THREAD IN ONE BOLT OF EACH CLAMP, THEN THREAD ALL THE BOLTS  
DO NOT TIGHTEN BEFORE ALL THE BOLTS ARE THREADED IN.  
2.CUT THE RUBBER INSERT INTO HALF  
3.USE A LONGER BOLT TO HELP CLOSE THE CLAMP, THEN SWITCH BACK  
TO SHORT BOLT



ATTACH FRONT HALF OF CANOPY

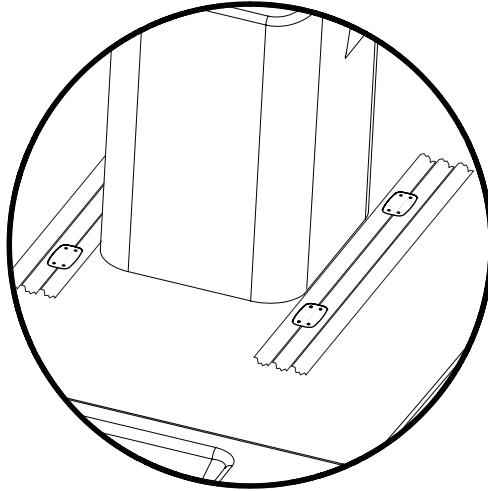


MEASURE WIDTH OF SIDES  
TO MATCH THE MOUNTING  
POSITION WIDTH

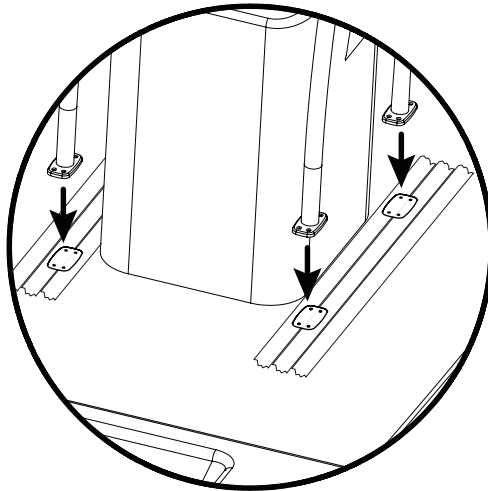
## STEP 8

LOWER T-TOP ASSEMBLY OVER CENTER CONSOLE. POSITION THE MOUNTING FEET OVER THE MARKED LOCATIONS.

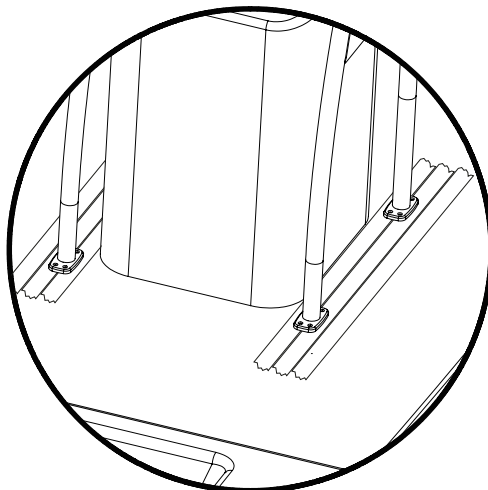
MARKED LOCATIONS



LOWER INTO POSITION

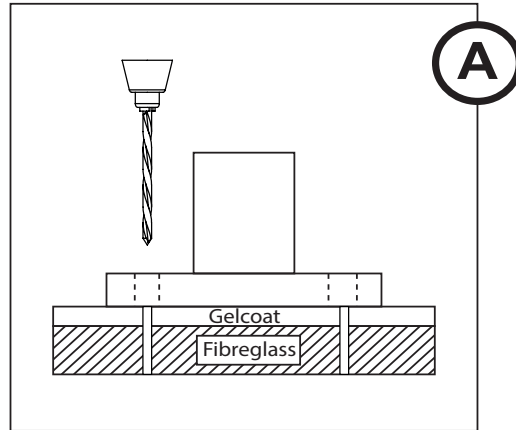


POSITION MOUNTING FEET  
OVER MARKED LOCATIONS

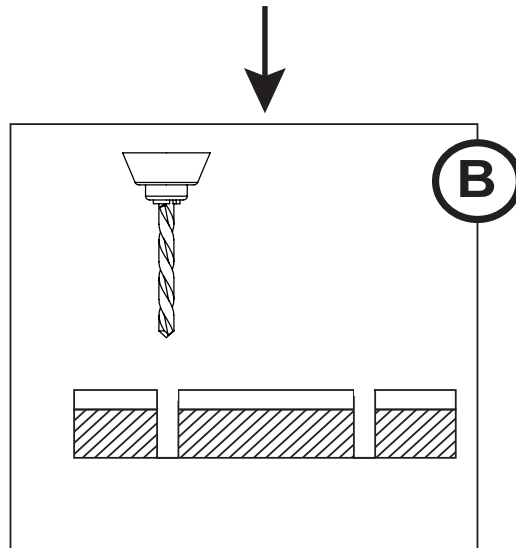




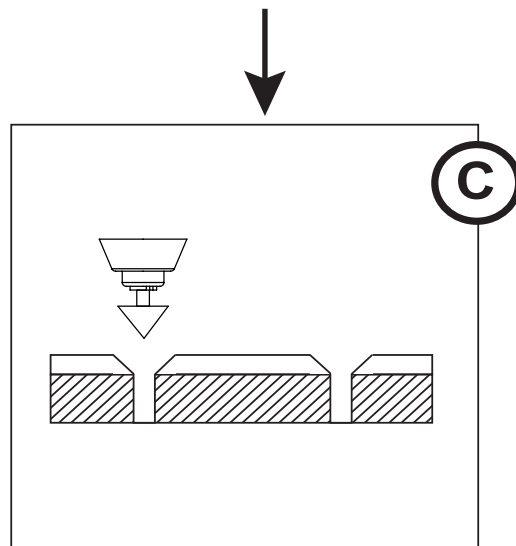
## STEP 9



DRILL PILOT HOLE WITH A SMALL DRILL BIT

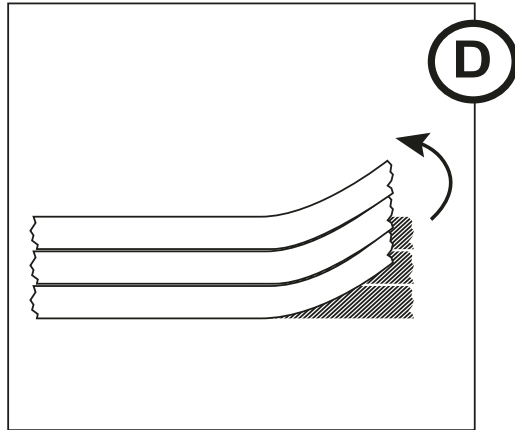


REMOVE T-TOP FROM THE MOUNTING LOCATION AND DRILL A LARGER HOLE FOR THE MOUNTING HARDWARE. DRILL SIZE = 25 (0.15" IN DIAMETER).

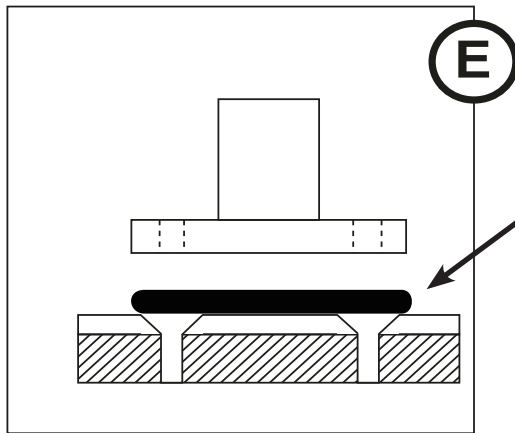


COUNTERSINK THE GELCOAT TO PREVENT STRESS CRACKING DURING INSTALLATION.

# STEP 10

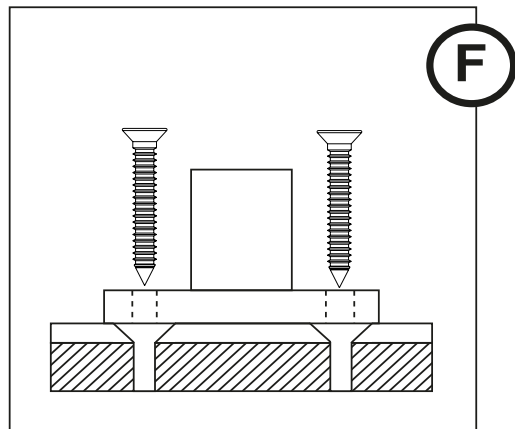


REMOVE MASKING TAPE.



APPLY MARINE GRADE SEALANT.  
WE RECOMEND: 3M 5200 MARINE  
ADHESIVE OR EQUIVALENT.

THEN REPOSITION THE T-TOP OVER  
THE SEALANT AND LOWER INTO  
PLACE.

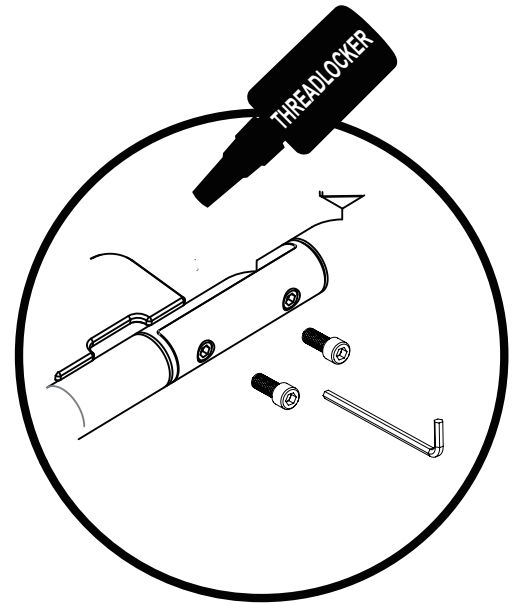
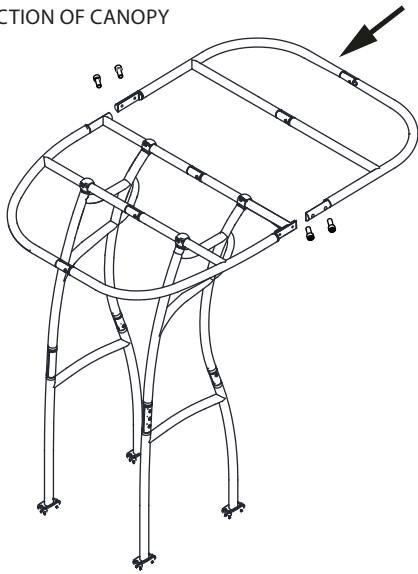


INSTALL SCREWS AND TIGHTLY FASTEN  
THE MOUNTING FEET TO THE DECK OF  
THE BOAT.

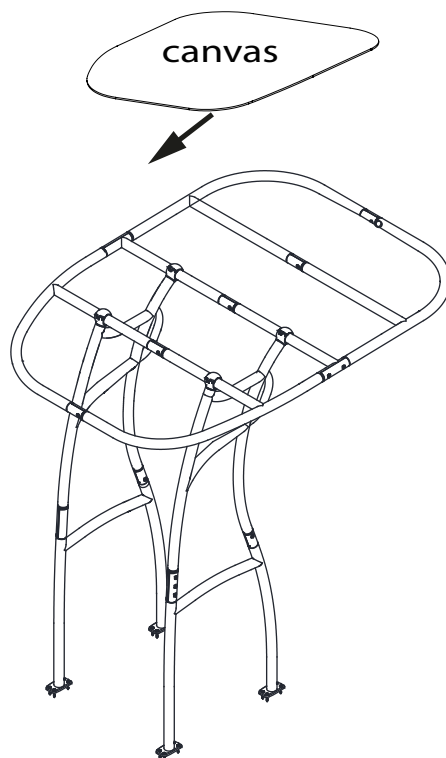
REMOVE EXCESS SEALANT FROM  
AROUND THE MOUNTING FOOT.

# STEP 11

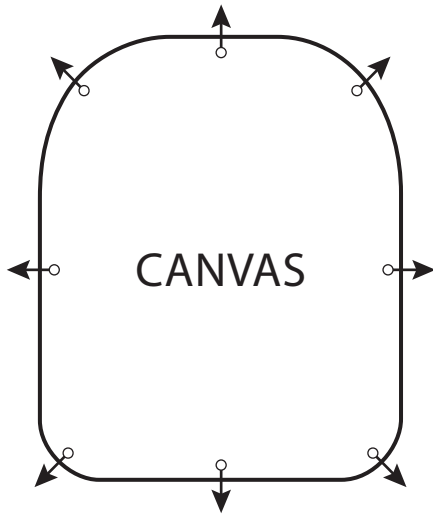
MOUNT AFT SECTION OF CANOPY



# STEP 12

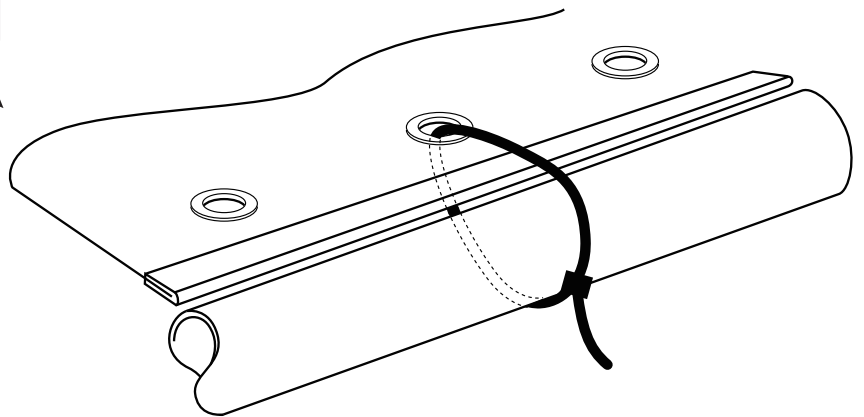


## STEP 13



USE ZIP TIES TO FASTEN THE CANOPY IN PLACE BEFORE LACING IT TO THE FRAME.

TIP: USE THE ZIP TIES IN THE CORNERS TO CREATE TENSION IN THE CANOPY.



## STEP 14

TIE A KNOT IN EACH END TO START AND STOP THE CORD.

