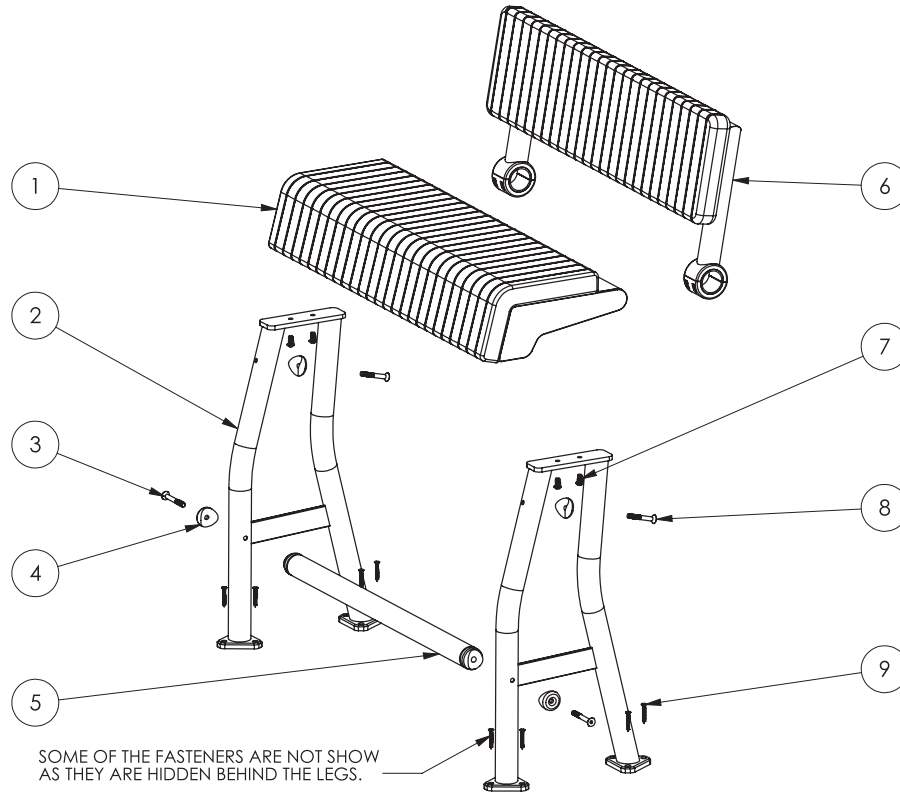


Leaning Post Installation Instructions



ITEM NO.	CODE	PROCESS	MATERIAL	FINISH	QTY.
1	Seat_Assembly_240610-0	SEE SUB ASSEMBLY	SEE SUB ASSEMBLY	SEE SUB ASSEMBLY	1
2	Leg_Assembly_240610-0	SEE SUB ASSEMBLY	SEE SUB ASSEMBLY	SEE SUB ASSEMBLY	2
3	SCHCSCREW 0.375-16x3.25x1.25-HX-S	STOCK ITEM	STAILNESS STEEL	STOCK	2
4	Screw_Seat_240610-0	LATHE	6061 ALLOY	POLISH & ANODIZE	4
5	Foot_Rest_Assembly_240610-0	SEE SUB ASSEMBLY	SEE SUB ASSEMBLY	SEE SUB ASSEMBLY	1
6	Backrest_Assembly_240610-0	SEE SUB ASSEMBLY	SEE SUB ASSEMBLY	SEE SUB ASSEMBLY	1
7	SBHCSCREW 0.375-16x0.75-HX-S	STOCK ITEM	STAINLESS STEEL	STOCK	4
8	SCHCSCREW 0.375-16x2.75x1.25-HX-S	STOCK ITEM	STAINLESS STEEL	STOCK	2
9	FLATCKT 0.25-14-type 1A-AB-1.813-S	STOCK ITEM	STAINLESS STEEL	STOCK	12