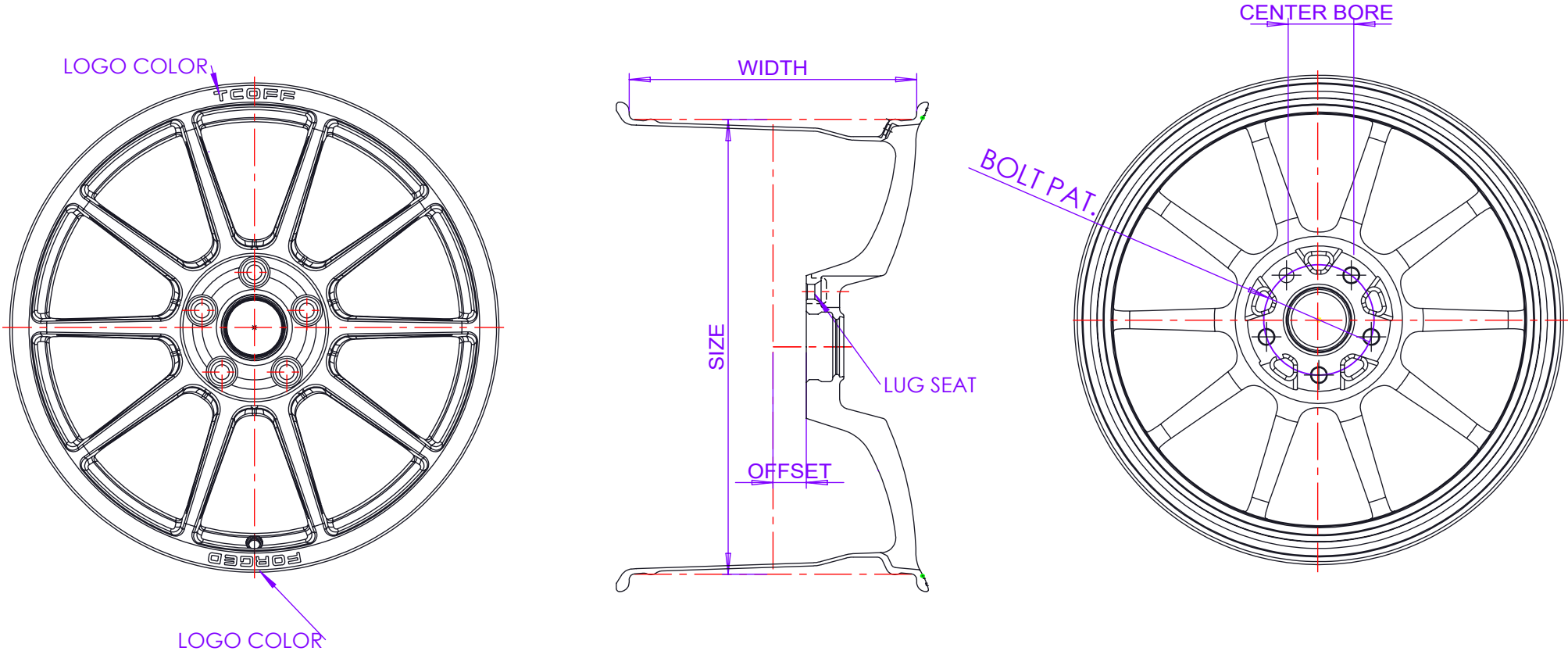




TCOFF TC-XR FORGED WHEEL SIZE SHEET



Please double check with your spec, fill out this form and send it back to us.

if you have questions about how to order custom spec wheels please check our guide of custom spec ordering here: [guide-for-custom-spec](#)

*For special request, please contact us via : info@tcoffmotorsports.com

LOGO COLOR

SIZE

WIDTH

OFFSET

LUG SEAT

BOLT PATTERN

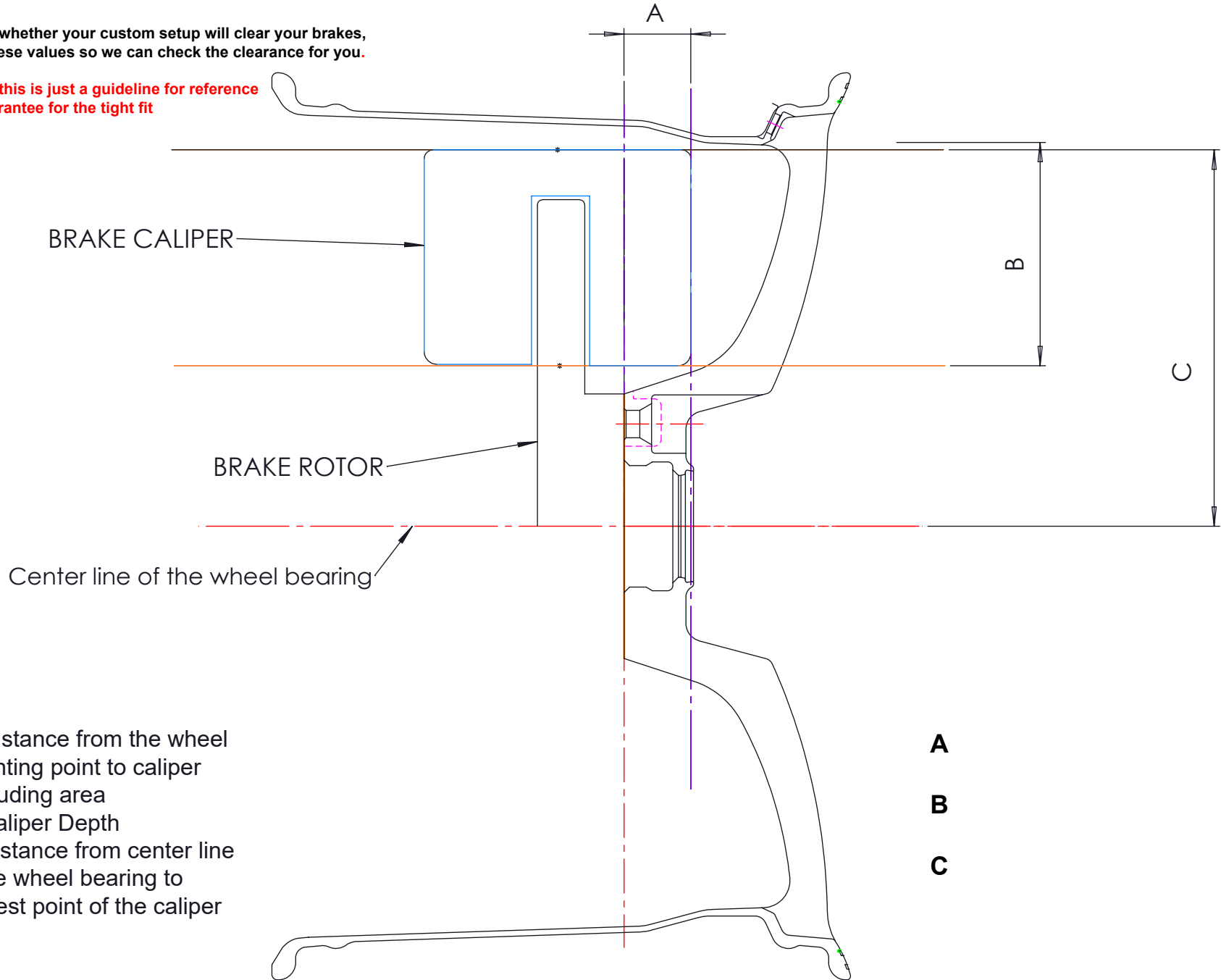
x

CENTER BORE

Brake Caliper Clearance Check Sheet - TOP

If you're not sure whether your custom setup will clear your brakes, please provide these values so we can check the clearance for you.

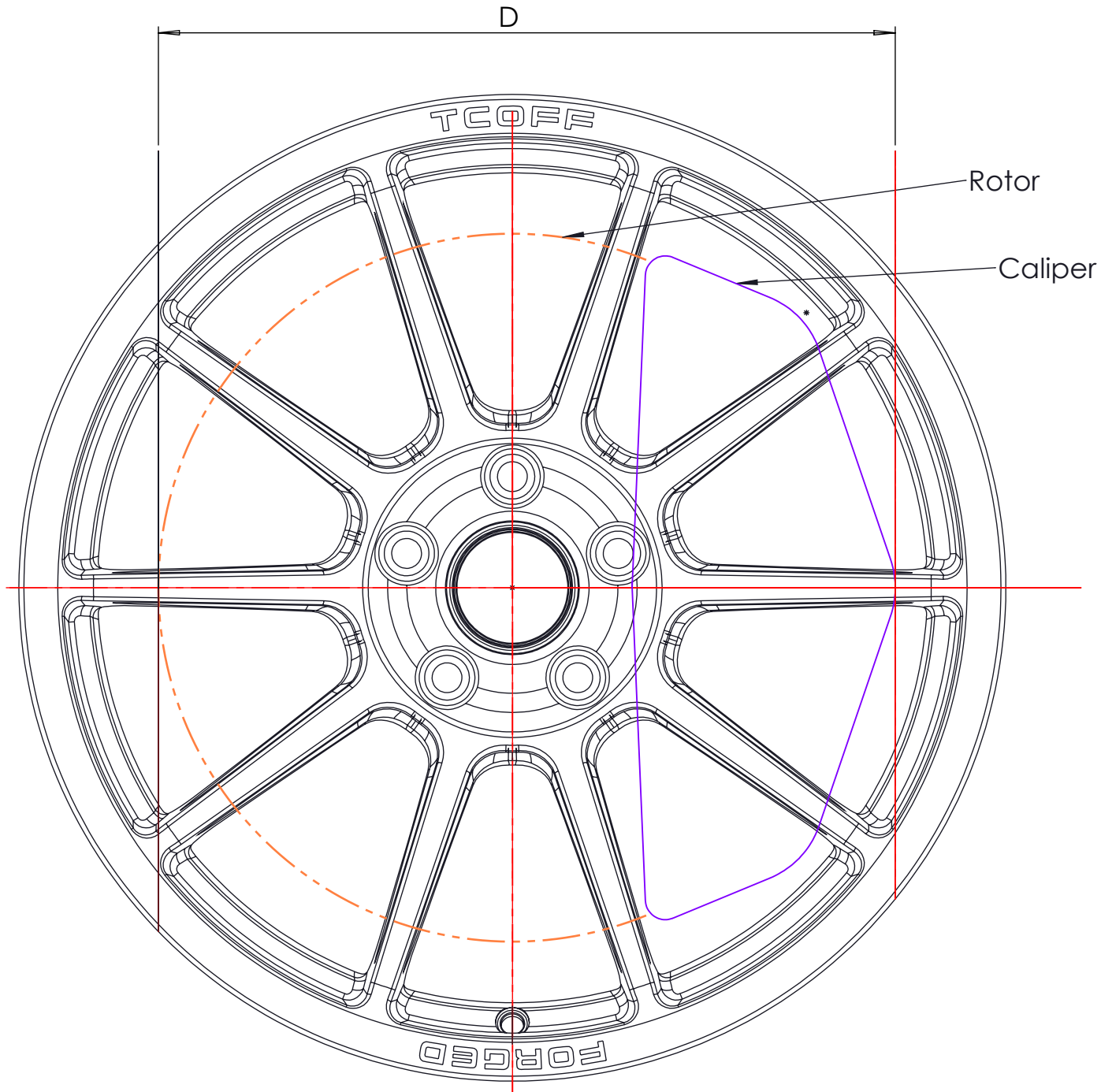
**Please note that this is just a guideline for reference and does not guarantee for the tight fit*



- **A:** Distance from the wheel mounting point to caliper protruding area
- **B:** Caliper Depth
- **C:** Distance from center line of the wheel bearing to furthest point of the caliper

A
B
C

Brake Caliper Clearance Check Sheet - SIDE



- **D:** Distance from the rotor edge to furthest protruding point.

• **D:** _____