



### Application

- It is applicable to household water supply, equipment support, pipeline pressurization, garden watering, vegetable greenhouse watering, fish farming and poultry raising, industrial and mining, water supply and drainage of enterprises and high-rise buildings, central air conditioner and centralized heating circulation system, etc.

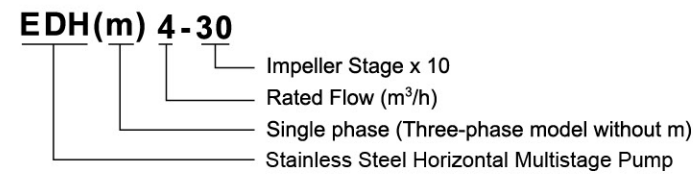
### Pump

- AISI 304 shaft
- Max. liquid temperature: +85°C
- Altitude: up to 1000 m
- Max. suction: 8 m
- Max. inlet pressure: limited by max. operating pressure
- Max. operation pressure: 10 bar
- Liquid PH value: 4 - 10

### Motor

- IE2 motor (IE3 motor available on request)
- Motor with copper winding
- Built-in thermal protector for single phase motor
- Insulation class: F
- Protection class: IP55
- Max. ambient temperature: +40°C

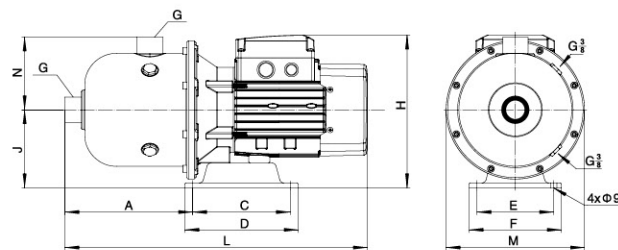
### Identification Codes



### Technical Data

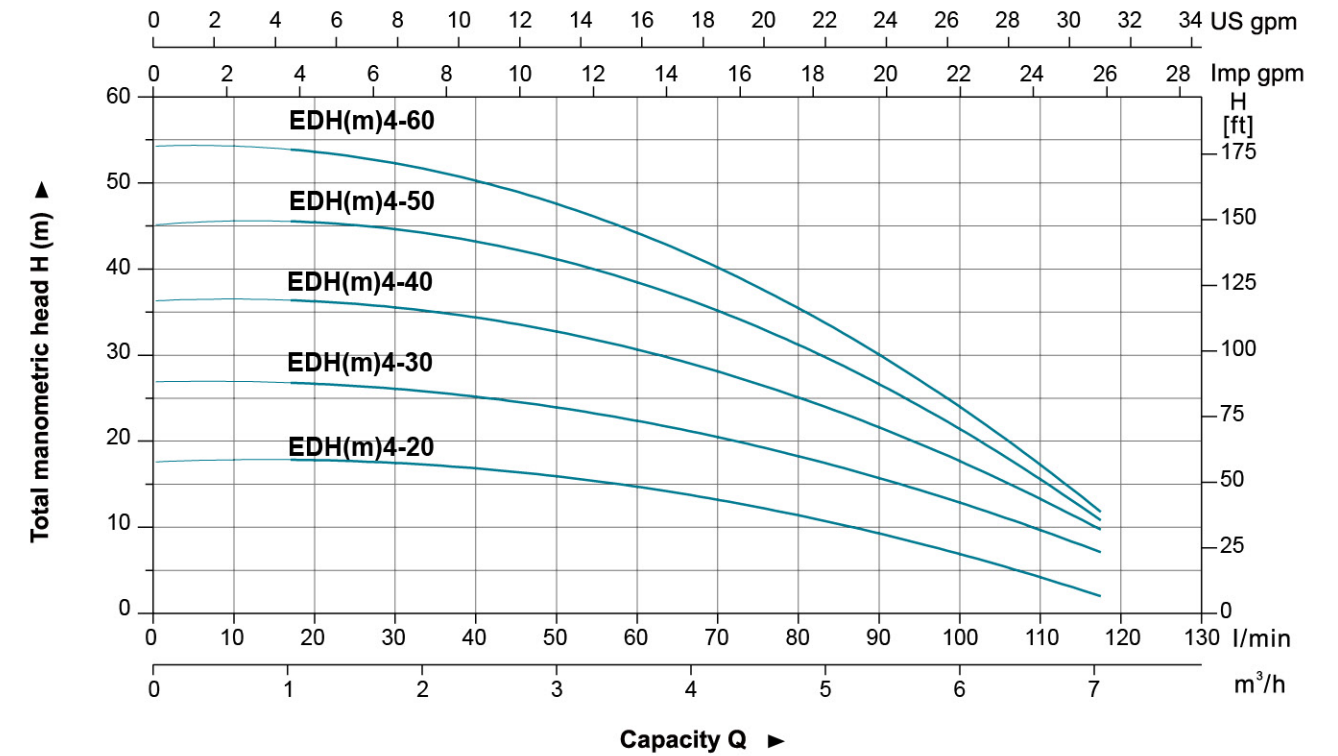
Model	Power (P2)		Q (m³/h)	1.0	2.0	3.0	4.0	4.5	5.0	6.0	7.0
	kW	HP		Q (l/min)	17	33	50	67	75	83	100
EDH(m)4-20	0.55	0.75	H (m)	17.8	17.2	16.1	14.3	12	11.3	6.3	2.3
EDH(m)4-30	0.55	0.75		26.7	26.4	24.6	22.1	18	16.8	13.5	7.3
EDH(m)4-40	0.75	1.0		36.1	35.2	32.9	29.9	25	24.7	18.6	9.2
EDH(m)4-50	1.1	1.5		45.7	43.6	40.5	37	32	31.8	21.8	10
EDH(m)4-60	1.1	1.5		53.6	52	47	42.5	37	35	23	12

### Dimension



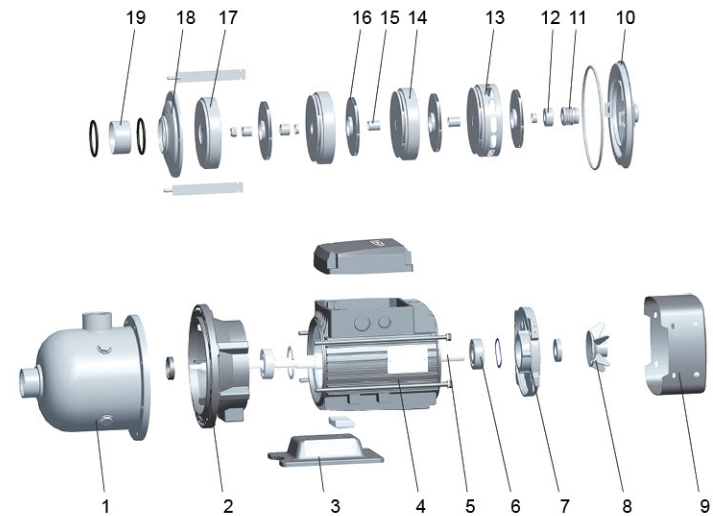
Model	L	A	C	D	E	F	G	H	J	M	N
EDH(m)4-20	427	180	138	160	108	130	G1¼	216	110	Φ195	103
EDH(m)4-30	427	180	138	160	108	130	G1¼	216	110	Φ195	103
EDH(m)4-40	427	180	138	160	108	130	G1¼	216	110	Φ195	103
EDH(m)4-50	480	180	138	160	108	130	G1¼	245	120	Φ195	103
EDH(m)4-60	480	180	138	160	108	130	G1¼	245	120	Φ195	103

### Hydraulic Performance Curves



### Materials Table

No.	Part	Material
1	Pump body	AISI 304
2	Support	ZL102
3	Bottom plate	Cast iron
4	Stator	
5	Rotor	
6	Bearing	
7	Rear cover	ZL102
8	Fan	PP
9	Fan cover	08F
10	Bracket cover	AISI 304
11	Mechanical seal	Sic/Carbon
12	Positioning sleeve	AISI 304
13	Diffuser 3	AISI 304
14	Diffuser 2	AISI 304
15	Sleeve	AISI 304
16	Impeller	AISI 304
17	Diffuser 1	AISI 304
18	Pressure plate	AISI 304
19	Spacer bush	AISI 304



### Package Information

Model	GW (Kgs)	L (mm)	W (mm)	H (mm)	Quantity (PCS/20 TEU)
EDH(m)4-20	11.5	465	225	270	1044
EDH(m)4-30	12.9	465	225	270	1044
EDH(m)4-40	13.8	465	225	270	1044
EDH(m)4-50	18.2	515	225	297	870
EDH(m)4-60	18.6	515	225	297	870

