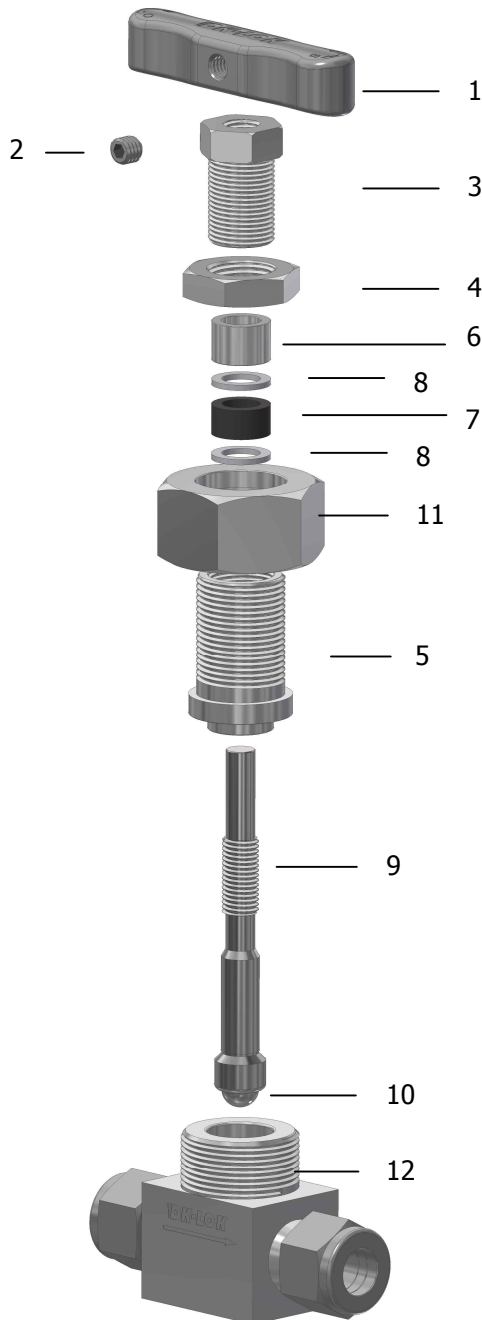


V16W series Instrumentation Blowdown Valves

Pressure Rating up to 6,000(413 bar)

Features

- Temperature Rating up to 1,200°F (648°C) with Grafoil packing.
- Designed for use in a fully open or fully closed position.
- Orifice size of 0.25 In(6.4 mm).
- Non-rotating stem disc design.



Materials of Construction

No.	Component	Material
1	Bar Handle	Stainless Steel
2	Set Screw	Stainless Steel
3	Packing Bolt	ASTM A276 TYPE316
4	Jam Nut	ASTM A276 TYPE316
*5	Bonnet	ASTM A276 TYPE316
6	Gland	ASTM A276 TYPE316
*7	Packing	Grafoil
*8	Packing Support	ASTM A276 TYPE316
*9	Stem	ASTM A276 TYPE316
*10	Stem Disc	Stellite
11	Union Nut	ASTM A276 TYPE316
*12	Body	ASTM A276 TYPE316

** Wetted parts and lubricants listed in blue.*

Pressures-Temperature Ratings

ASME Class	2500
Material Group	2.2
Material Name	SS316
Temperature, °F (°C)	Working pressure, psig (bar)
-65(-53) to 100 (38)	6000 (413)
200 (93)	5160 (355)
300 (148)	4660 (321)
400 (204)	4280 (294)
500 (260)	3980 (274)
600 (315)	3760 (259)
700 (371)	3600 (248)
800 (426)	3460 (238)
900 (482)	3280 (225)
1000 (537)	3030 (208)
1100 (593)	2685 (184)
1200 (648)	1715 (118)

Factory Test and Cleaning

Every valve is tested with the nitrogen gas @ 1,000 psig (68.9 bar) for leakage at the seat to a maximum allowable leak rate of 0.1 SCCM. The packing is tested for no detectable leakage. Optional hydrostatic shell test with additional cost is performed with pure water at 1.5 times the working pressure. Every valve is cleaned and packaged in accordance with DK-Lok cleaning standard DC-01.

Valve ratings with DK-Lok end connections

Valve ratings may be limited to the maximum working pressure of connective pipe and tubing. For valve rating with DK-Lok tube fitting end connections, refer to DK-Lok catalog providing suggested working pressures in various tubing OD, wall thicknesses, and materials.

Packing adjustment

Extreme temperature fluctuations while valve in service may require packing adjustment. Valves that have not been actuated for a period of time may have a higher initial actuation torque.

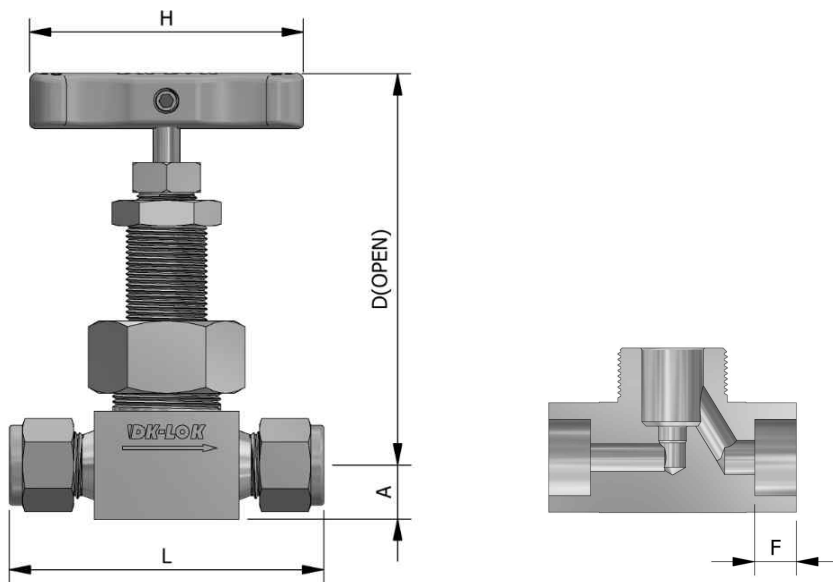
1. Loosen the Jam nut and turn the packing bolt clockwise in 1/4-turn increments until leak-tight performance is achieved.
2. Retighten the Jam nut

※ **A packing adjustment may be required periodically to increase service life and to prevent leakage.**

Sour Gas Valves

Valves for use in sour gas are available. Valve wetted components are selected to the requirements of NACE MR0175 for sulfide stress cracking resistant materials. To order, insert -SG in the basic ordering number.

Ordering Information and Dimension



Basic Ordering Number	End connections		Orifice mm (in.)	Cv	Dimensions, mm (inch)				
	Inlet	Outlet			L	A	H	D	F
V16W-	F4N-	1/4 Female NPT	6.4 (0.25)	0.86	57.2(2.25)	12.7(0.50)	63.5(2.50)	92(3.62)	-
	F6N-	3/8 Female NPT			57.2(2.25)	12.7(0.50)	63.5(2.50)	92(3.62)	-
	D10M-	10mm Dk-Lok			72.4(2.85)	12.7(0.50)	63.5(2.50)	92(3.62)	-
	D6T-	3/8 Dk-Lok			71.9(2.83)	12.7(0.50)	63.5(2.50)	92(3.62)	-
	D12M-	12mm Dk-Lok			77.2(3.04)	12.7(0.50)	63.5(2.50)	92(3.62)	-
	D8T-	1/2 Dk-Lok			77.2(3.04)	12.7(0.50)	63.5(2.50)	92(3.62)	-
	SW4P-	1/4 PSW			57.2(2.25)	12.7(0.50)	63.5(2.50)	92(3.62)	9.5(0.37)
	SW6T-	3/8 TSW			57.2(2.25)	12.7(0.50)	63.5(2.50)	92(3.62)	7.9(0.31)
	SW8T-	1/2 TSW			57.2(2.25)	12.7(0.50)	63.5(2.50)	92(3.62)	9.5(0.37)

Select the desired basic ordering number, and options from designators listed below.

V16W	-F8N			
V16W	-D8T	- P	-SG	- S
		↓	↓	↓
Valve Series	Valve End Connector Size	Vent & Blank Plug	Sour gas service	Body Material
		Nil : no plug P : Blank plug	Nil : no Sour Gas SG : Sour Gas	S : ASTM A276 TYPE 316