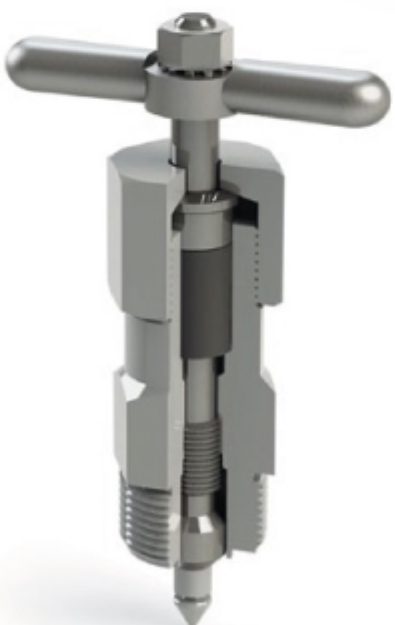


Bleed Types



Bleeder Bonnet



Bleeder Needle Bonnet



Bleeder Needle Flanged

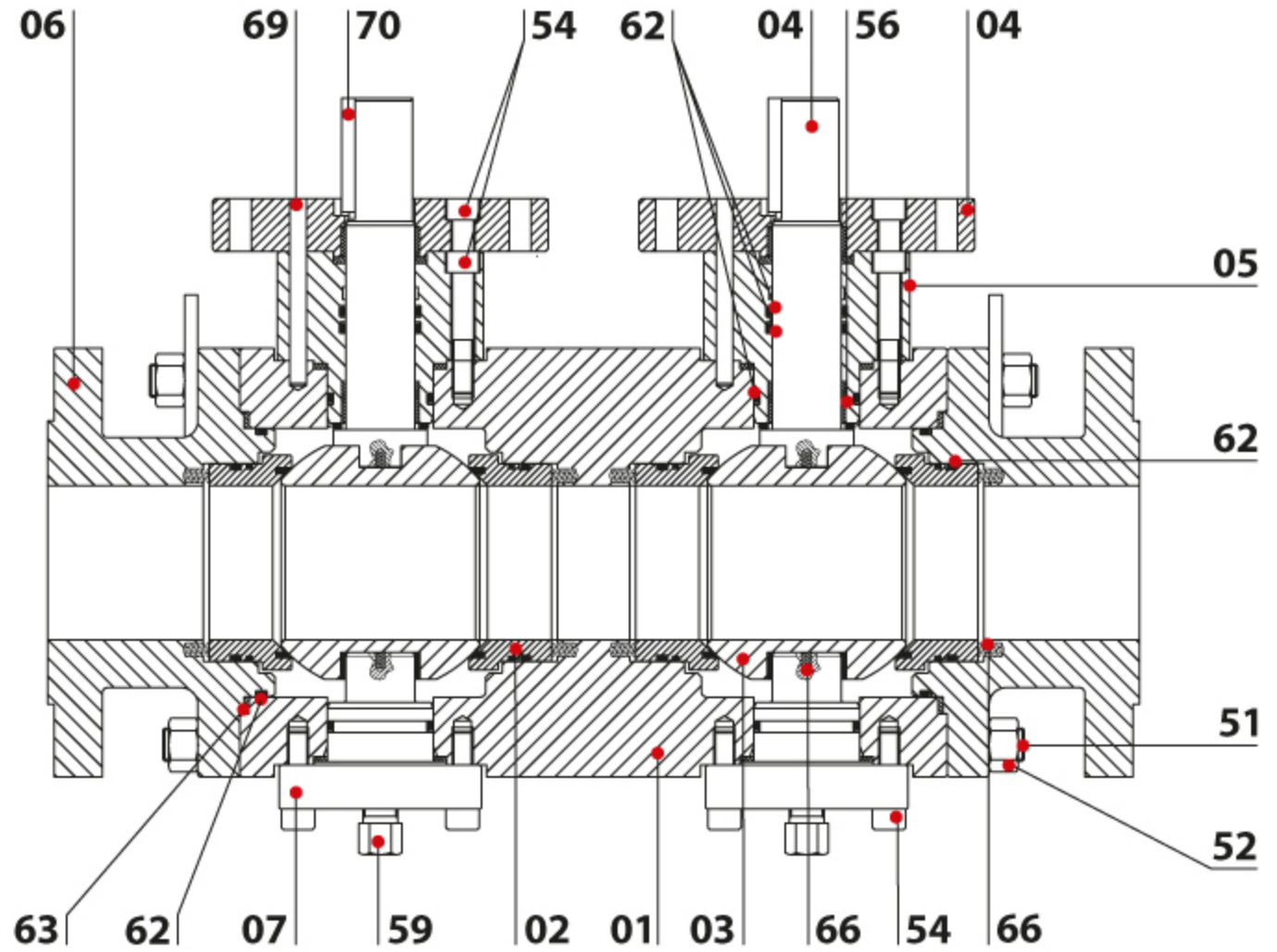


O. S. & Y Type Globe Valve

Double Block & Bleed

Main Features

- Bolted Body-All Forged Construction.
- Split Body.
- Soft / Metal Seated.
- Self Relieving or Double Piston Effect Seat Anti Blow-Out stem.
- Bleed Type (Needle or Globe valve).
- Fire safe API 6FA - API 607 ISO 14097.
- Antistatic device.
- Emergency sealant injection to stem & seat.
- Materials in accordance to NACE MR 01.75
- Above ground installation.



Valve Parts

Pos.	Description
01	Body
02	Seat / Insert
03	Ball
04	Stem
05	Stem cover
06	Flange
07	Trunnion
08	Ball Support
09	Operator Flange
13	Lifting Lugs
14	Valve Support
51	Stud
52	Nut
54	Screw
55	Thrust Washer
56	Thrust Bearing
58	Plug
59	Bleeder
62	Seal
63	Gasket
66	Spring
69	Pin
70	Key

