

# MaxiMist Pro Series Spray Gun



## **Your purchase includes the MaxiMist Pro Series Spray Gun**

Please read these instructions carefully and keep for your reference.

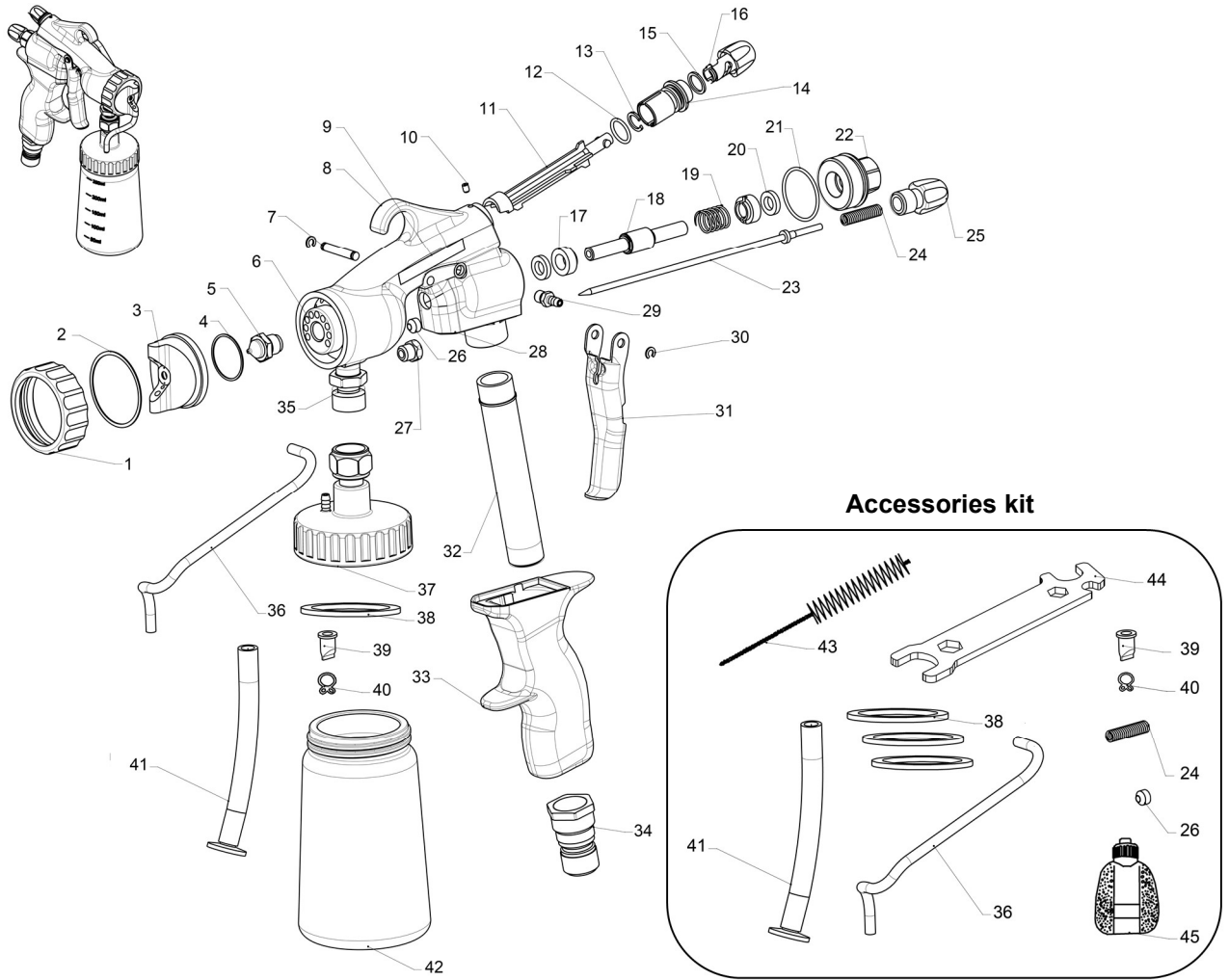
Refer to the included instruction manual as well for your Spray Tanning units operation.

Takes a few minutes to read and understand how to operate your new MaxiMist Pro Series Spray Gun and you will be able to provide the perfect flawless tan with every application.

Your MaxiMist Pro Series Spray Gun is packaged with the following:

1. MaxiMist Pro Series Spray Gun
2. Instruction Manual
3. 3 Extra Cups with lids
4. Tune-up kit includes:
  - Duck Bill Assembly
  - Gland Seal
  - Cup Gasket (3 pcs)
  - Fluid Tube Assembly
  - Cleaning Brush
  - Spanner/ Wrench
  - Gun Lube

# MaxiMist Pro Series Spray Gun Exploded Diagram



No.	Part No.	Description	Quantity
1	ST1432PRO-01	Air cap ring	1
2	ST1432PRO-02	Air cap ring washer	1
3	ST1432PRO-03	Air cap	1
4	ST1432PRO-04	Air cap washer	1
5	ST1432PRO-05	Fluid nozzle	1
6	ST1432PRO-06	Barrel insert fitting	1
7	ST1432PRO-07	Trigger pivot	1
8	ST1432PRO-08	Gun body	1
9	ST1432PRO-09	Label	2
10	ST1432PRO-10	Grub screw	1
11	ST1432PRO-11	Air controller	1
12	ST1432PRO-12	Air control sheath O-ring	1
13	ST1432PRO-13	Air control snap ring	1
14	ST1432PRO-14	Air control sheath	1
15	ST1432PRO-15	Air adjusting knob washer	1
16	ST1432PRO-16	Air adjusting knob	1
17	ST1432PRO-17	Internal air seal nut	2
18	ST1432PRO-18	C/bleed valve carrier assembly	1
19	ST1432PRO-19	Bleed valve spring	1
20	ST1432PRO-20	Internal air seal	2
21	ST1432PRO-21	Back face nut oring	1
22	ST1432PRO-22	Back face nut	1
23	ST1432PRO-23	Fluid needle	1
24	ST1432PRO-24	Needle Spring	1
25	ST1432PRO-25	Fluid adjusting knob	1
26	ST1432PRO-26	Gland seal	1
27	ST1432PRO-27	Gland nut	1

No.	Part No.	Description	Quantity
28	ST1432PRO-28	Blanking plate	1
29	ST1432PRO-29	Air tube fitting	1
30	ST1432PRO-30	Trigger circlip	2
31	ST1432PRO-31	Trigger	1
32	ST1432PRO-32	Air inlet ducting	1
33	ST1432PRO-33	Handle black	1
34	ST1432PRO-34	Quick connect fitting	1
35	ST1432PRO-35	Bottom feed inlet	1
36	ST1432PRO-36	Air tube	1
37	ST1432PRO-37	suction to gun fitting	1
38	ST1432PRO-38	Cup gasket	1
39	ST1432PRO-39	Duck bill valve	1
40	ST1432PRO-40	clip	1
41	ST1432PRO-41	Fluid tube	1
42	ST1432PRO-42	250ml cup	1

## Accessories kit

No.	Part No.	Description	Quantity
24	ST1432PRO-24	Needle Spring	1
26	ST1432PRO-26	Gland seal	1
36	ST1432PRO-36	Air tube	1
38	ST1432PRO-38	Cup gasket	3
39	ST1432PRO-39	Duck bill valve	1
40	ST1432PRO-40	Clip	1
41	ST1432PRO-41	Fluid tube	1
43	ST1432PRO-43	Cleaning Brush	1
44	ST1432PRO-44	Spanner/Wrench	1
45	ST1432PRO-45	Gun lube	1

## Preparing your equipment for use

Your tanning equipment is supplied as two main components, the motor unit with hose and the spray gun. Please refer to the exploded view on page 2 and follow the simple instructions below:

- Unscrew the Cup (42) from the spray gun and fill with tanning solution. Do not overfill the Cup. Normally 2oz (50ml) of solution is enough for one application.
- Make sure the Fluid Tube (41) is pushed firmly into the lid of the spray gun.
- Carefully screw the Cup back onto the lid of the spray gun **by holding the spray gun at the lid area, not by the handle. This will ensure an airtight seal.**
- Uncoil the power cord from the base of the motor unit and insert the plug into a suitable electrical socket-outlet.
- Next, position the motor unit as far away as practically possible from the area where you will be spraying.
- Attach the female quick connect end of Air Hose to the male connection on the spray gun.
- Insert hose into motor air outlet firmly with a slight twist - this will ensure a tight fit.

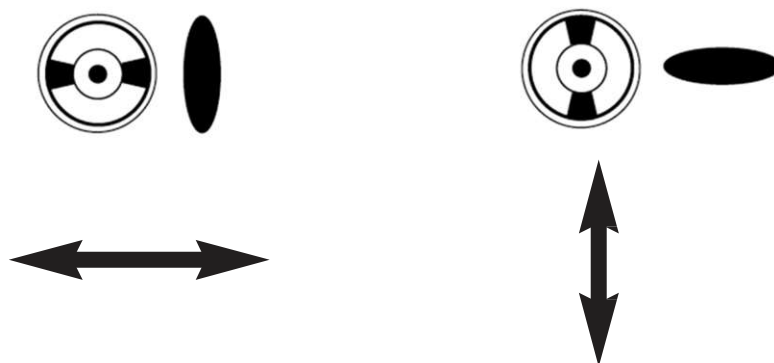
Switch on the motor unit. No tanning solution will be sprayed until you pull the spray gun trigger. Air will flow constantly as long as the motor unit is running.

**ALWAYS KEEP THE MOTOR UNIT AS FAR AWAY FROM THE SPRAYING AREA AS POSSIBLE TO PREVENT TANNING SOLUTION CONTAMINATING THE MOTOR.**

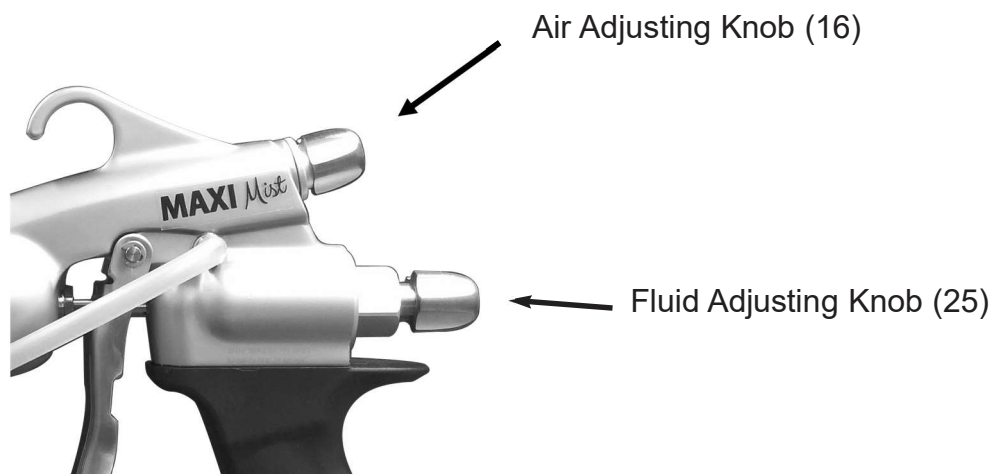
## 2. Adjusting the spray gun

### Spray patterns

- a. The MaxiMist Pro Series Spray Gun has three spray patterns to choose from, the most often used are a horizontal (left and right) spray pattern which is ideal for the lower body or vertical (up and down) spray pattern for upper body application. To adjust the spray pattern turn the Air Cap (3) at the front of the spray gun to the following position.



- b. The third spray pattern creates an “airbrush or detailed mode” which is ideal to touch up areas such as bikini lines or to enhance certain areas such as the abdominals (called sculpting or contouring). To do this turn the Air Adjusting Knob (16) at the rear of the spray gun a quarter clockwise.

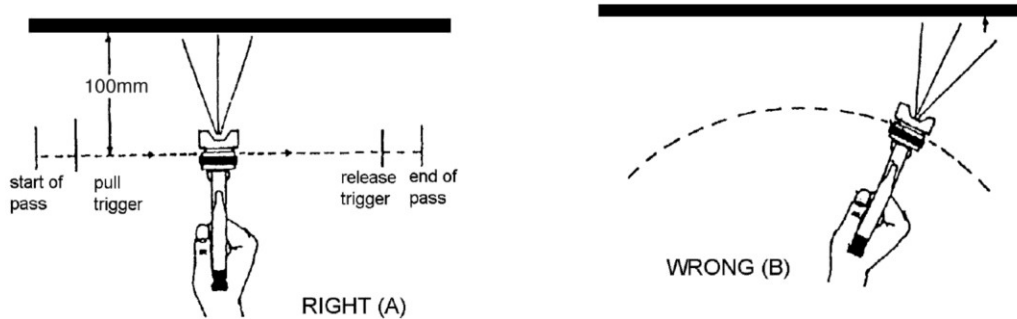


NOTE YOU MUST TURN DOWN THE FLUID ADJUSTING KNOB (25) TO REDUCE THE AMOUNT OF TANNING SOLUTION BEING SPRAYED TO AVOID DRIPS AND RUNS. ALSO NEVER ATTEMPT TO SPRAY TAN ONTO ENTIRE BODY IN THE "AIRBRUSH" MODE SETTING.

### 3. Using your MaxiMist Pro Series Spray Gun for the first time

- a. The ON/OFF switch is located on the motor unit. Turn it on. You will hear a sound similar to a vacuum cleaner. You may also notice that air is now blowing out of the front of the spray gun. This is correct. Air will continually flow from the Air Cap (3) of the spray gun as long as the motor unit is running and the Air Hose is connected.
- b. This may be the first time or hundredth time you have performed a spray tan. However it is a good idea to practice spraying onto a piece of white towel until you find the pattern and volume that is best for you. **Your goal is to adjust the flow of solution so you obtain a 4" (10cm) wide spray pattern spraying 4" (10cm) away from your target. Proper adjustments will greatly improve application and will make the difference between a great or poor application.**
- c. Open the Fluid Adjuster Knob (25) as described in 'Adjusting the spray gun' in section 2.
- d. Set the spray pattern you wish to use by adjusting the Air Cap (3) to the desired position.
- e. In general, hold the spray gun 4" (10cm) from the person being sprayed. Moving the spray gun back will increase the size of the mist pattern. Moving the spray gun closer will decrease the size of the mist pattern. The further away you hold the spray gun, the more you will need to increase the solution flow thus causing unwanted amounts of airborne solution (overspray).
- f. Holding the spray gun closer to the person being sprayed along with a minimum flow of solution will provide the best results, no streaks or running solution and virtually no mist in the spray area.
- g. Be sure to move the spray gun at a slow (not too slow), steady speed keeping the distance of the spray gun the same throughout the application. This will ensure perfect results. It is actually very easy. Practice a few times and you will be an expert.
- h. It is best to hold the spray gun in a vertical position when spraying. If you want to change the direction of the mist pattern, rotate the position of the Air Cap (3) rather than turning the spray gun on its side.
- i. Pull back on the trigger and move the spray gun (see 'PROPER SPRAYING TECHNIQUE'). DO NOT WAVE OR TILT the spray gun back and forth in front of your client by bending your wrist. Rather, keep your wrist straight and move your entire arm. Movement should be steady, even and deliberate, keeping your distance the same at all times.
- j. Always store the spray gun in a vertical position. DO NOT ROCK OR TIP.

## PROPER SPRAYING TECHNIQUE



(Remember, NO TILTING, STAY LEVEL)

### 4. Maintenance

#### 1. Air Hose

- a. Wipe the air hose daily with a damp cloth and store in a clean dry place.

#### 2. Spray Gun

- a. It is important to clean your spray gun daily.
- b. At the end of the day or when the equipment will not be used any more, disconnect the spray gun from the air hose.
- c. Carefully unscrew the Cup (42). If there is remaining solution, either close the Cup (42) with a cup lid or pour the remaining solution into a proper storage container.
- d. Rinse the Cup (42) under warm running water until clean.
- e. Fill the Cup (42) to 2oz (50ml) with MaxiMist MaxiClean Organic Spray Gun Cleaner. Reconnect spray gun to Air Hose. Turn on the motor unit. Direct the spray gun to a safe area and spray the spray gun cleaner through the spray gun until the Cup (42) is empty.
- f. Turn off the motor unit. Disconnect the spray gun. Unscrew the Cup (42).
- g. **Wipe all exposed areas dry.**

#### 4. Maintenance

- h. Unscrew and remove the Air Cap Ring (1). Rinse the threads under warm running water. **Wipe, clean the threads and dry.**
- i. Remove the Air Cap (3). Rinse under warm running water. Wipe, clean and dry. Apply 2 drops of Gun Lube (45) to the threads before reinstalling the Air Cap (3).
- j. Reinstall the pieces you just removed by reversing the removal procedure. Your spray gun should be ready for the next use. The Fluid Nozzle (5) can be removed for additional cleaning if necessary. Removal of the Fluid Nozzle (5) is not necessary on a daily basis. You should however remove it once a week and rinse under warm running water.
- k. To remove the Fluid Needle (23) unscrew the Fluid Adjuster Knob (25) using the small Spanner/Wrench provided in the spares pack. Remove the spring (24) and gently slide out the Fluid Needle (23). Rinse under warm running water, clean and dry. Reinstall reversing the removal procedure.

YOU HAVE A COMPLETE SPARE PARTS PACKAGE INCLUDED WITH ALL NECESSARY NORMAL REPLACEMENT PARTS, DO NOT LOSE THIS PACKAGE!

In the event you experience a problem with your unit system please contact our support team between 8.00am and 5.00pm EST at 727 834 9435 or email us at [support@maximist.co](mailto:support@maximist.co).

MaxiMist Spray Tanning Systems 11920 31st Ct N St.Petersburg, Fla 33716

©2017