

TNT, Satinaire or Xena Gun leaking from the Nozzle or Trigger:

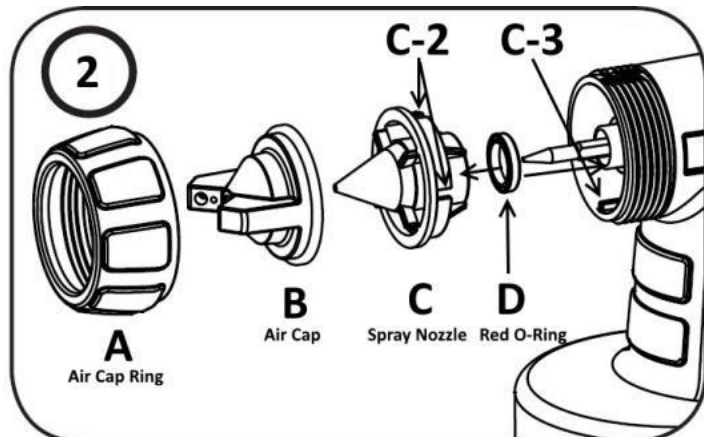
The Gasket Seal that goes on the fluid tube around the needle or inside the nozzle is lost, worn or damaged.

You have one in your spares pack, it is a small red ring.

See images below. The gun needs to be disassembled to reach this part.



Part D on image below



Please reassemble using steps in this Document below to properly Reset the gun, or it will not function correctly